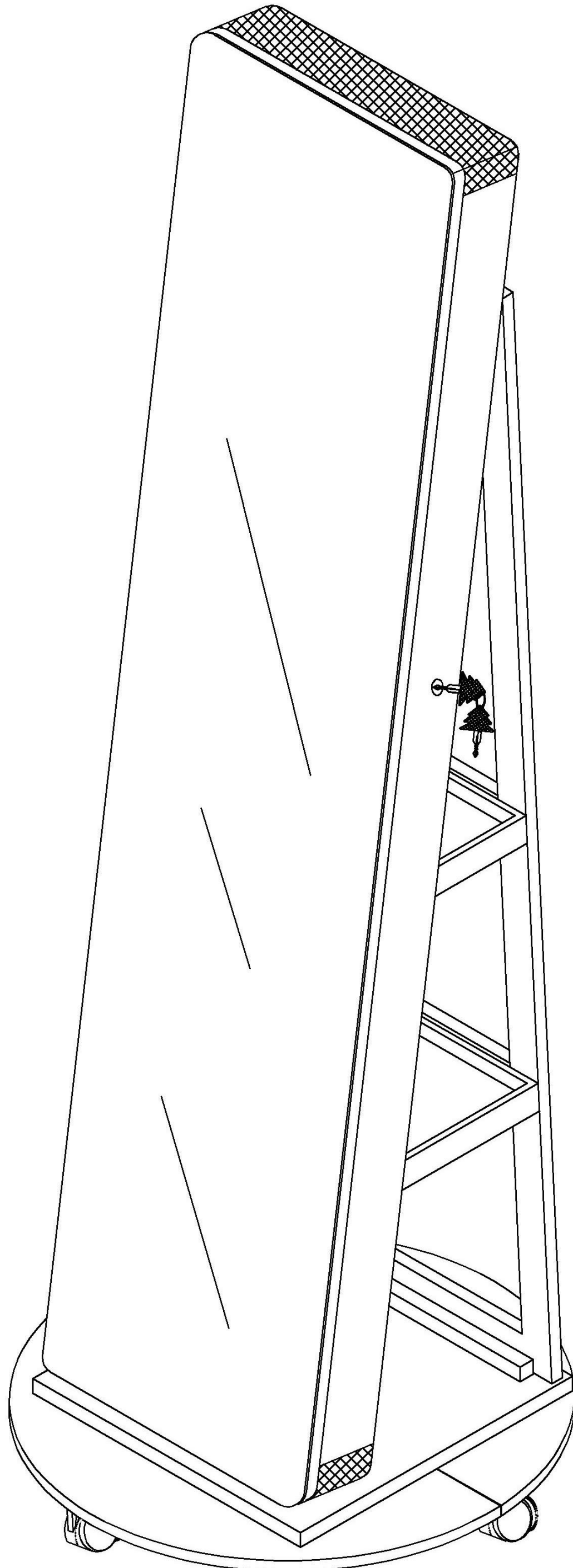
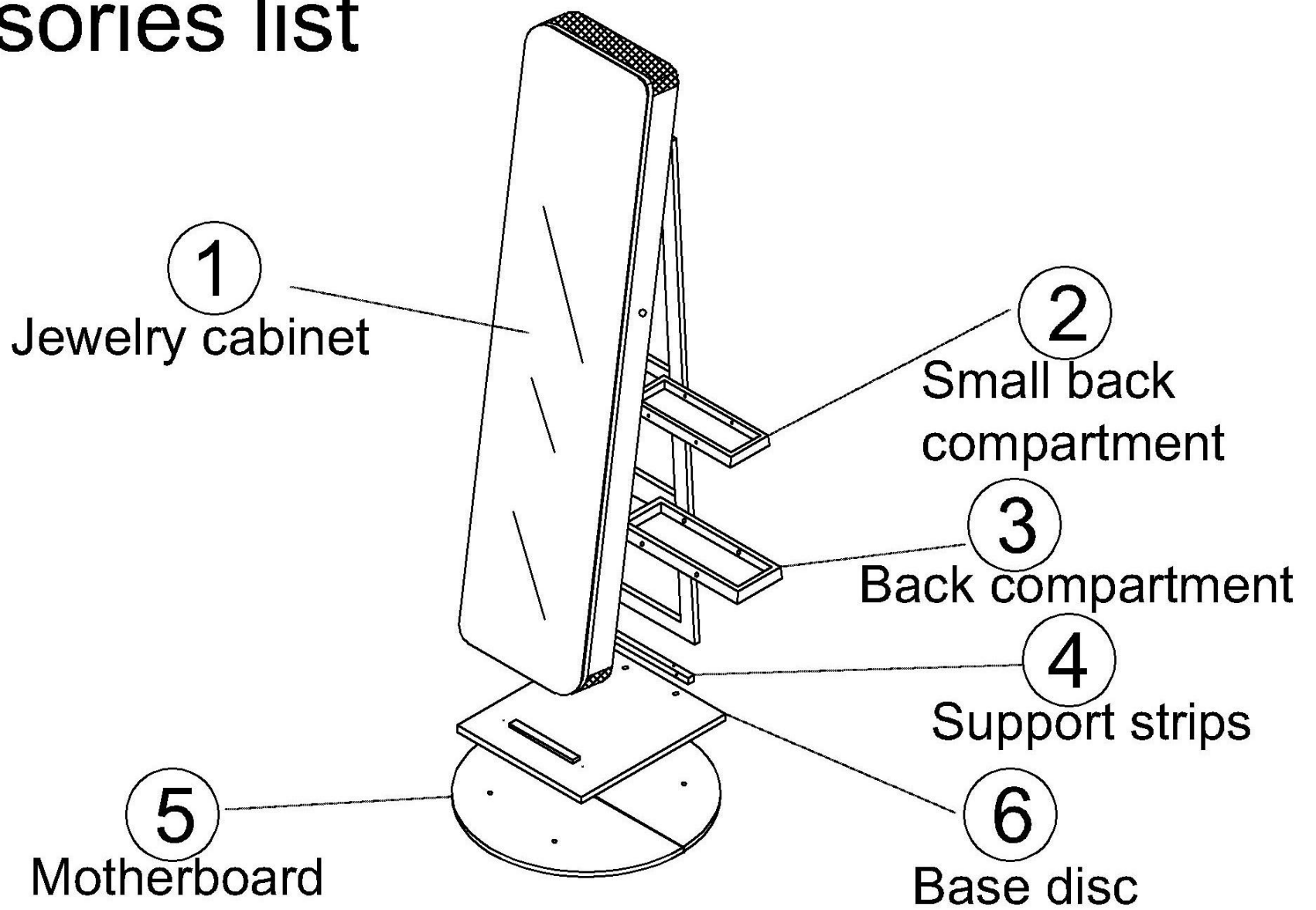


6296 MIRROR JEWELLERY CABINET



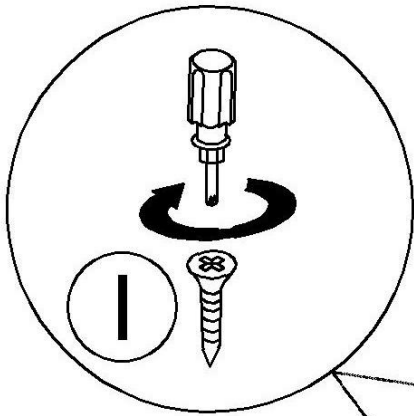
Accessories list



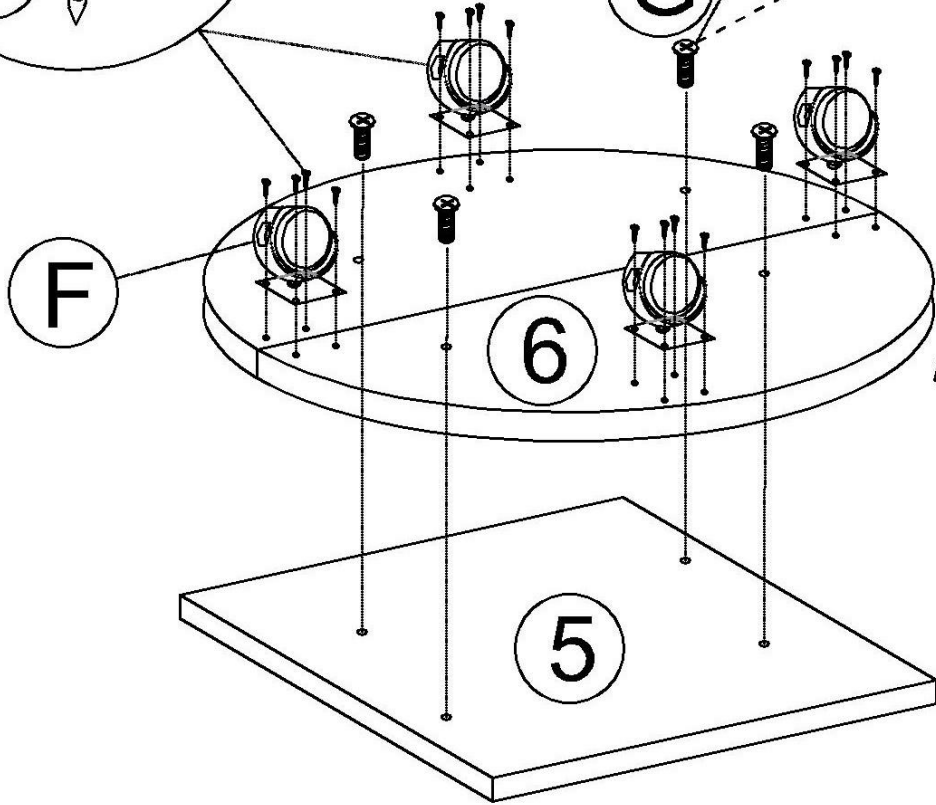
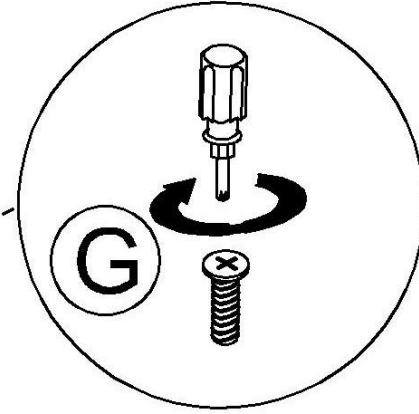
(A)		Long screw(6*30mm)	4 Pcs
(B)		The key	1 Pcs
(C)		Long cross screw assembly (5*20mm)	4 Pcs
(D)		Short cross screw assembly (5*8mm)	4 Pcs
(E)		Bolt driver	1 Pcs
(F)		Wheel	4 Pcs
(G)		Cross nut (6x20mm)	4 Pcs
(H)		Cross wire (6x50mm)	2 Pcs
(I)		Screw (3.5*12mm)	16 Pcs
(J)		Self tapping wire(3x16mm)	1 Pcs
(K)		Colloidal granules/Self tapping wire(4x45mm)	1 Pcs
(L)		Anti-rewind (290mm)	1 Pcs

Step 1

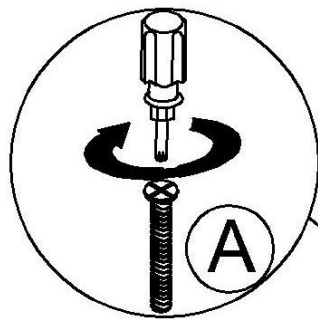
I	(3.5*12mm) X 16	F	X 4
A	(6*30mm) X 2	G	(6*20mm) X 4



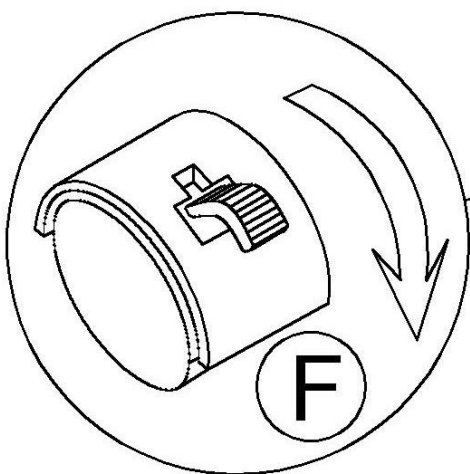
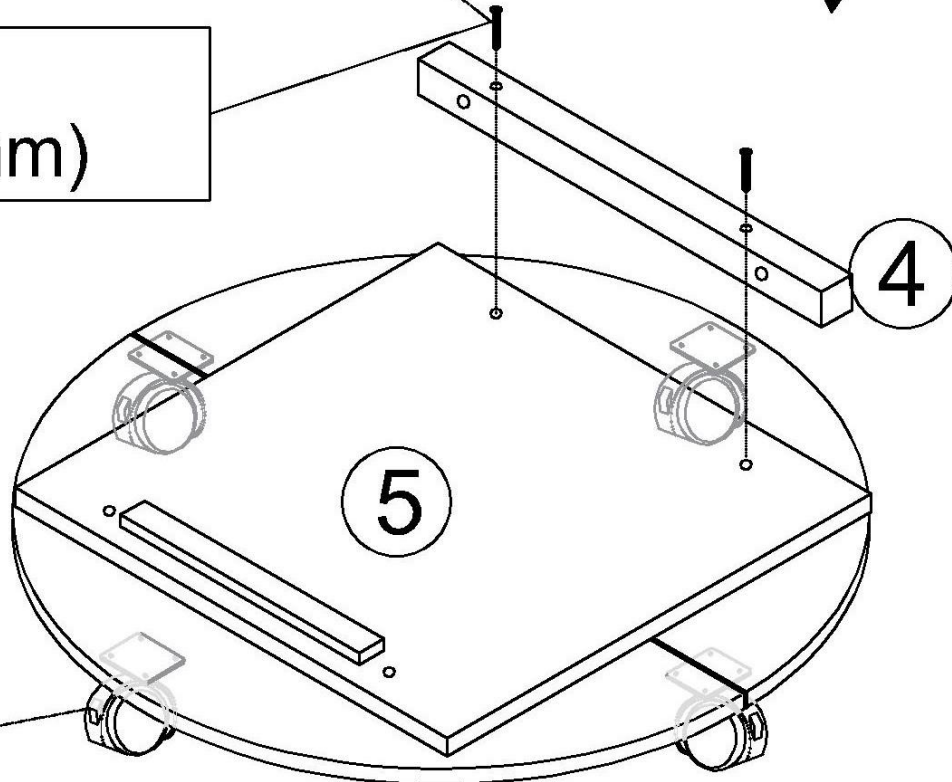
Use short screw
G (6*20mm)



Turn the plank and screw it on


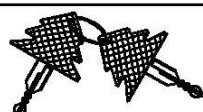


Use screw
A (6*30mm)

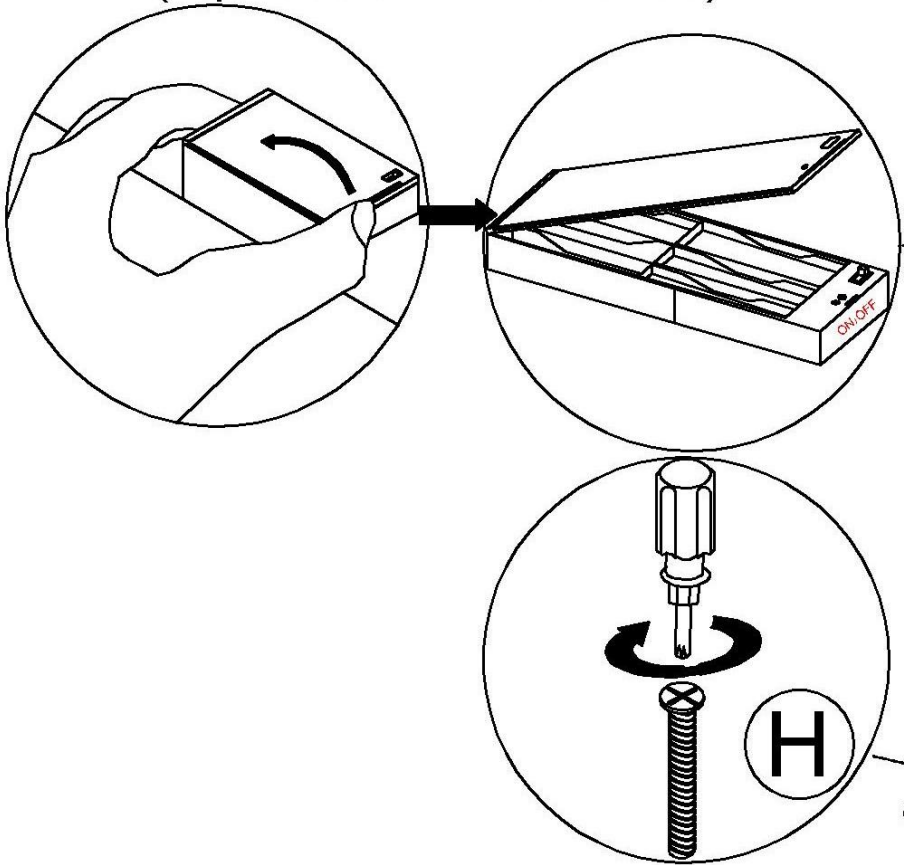


Press the wheel lock

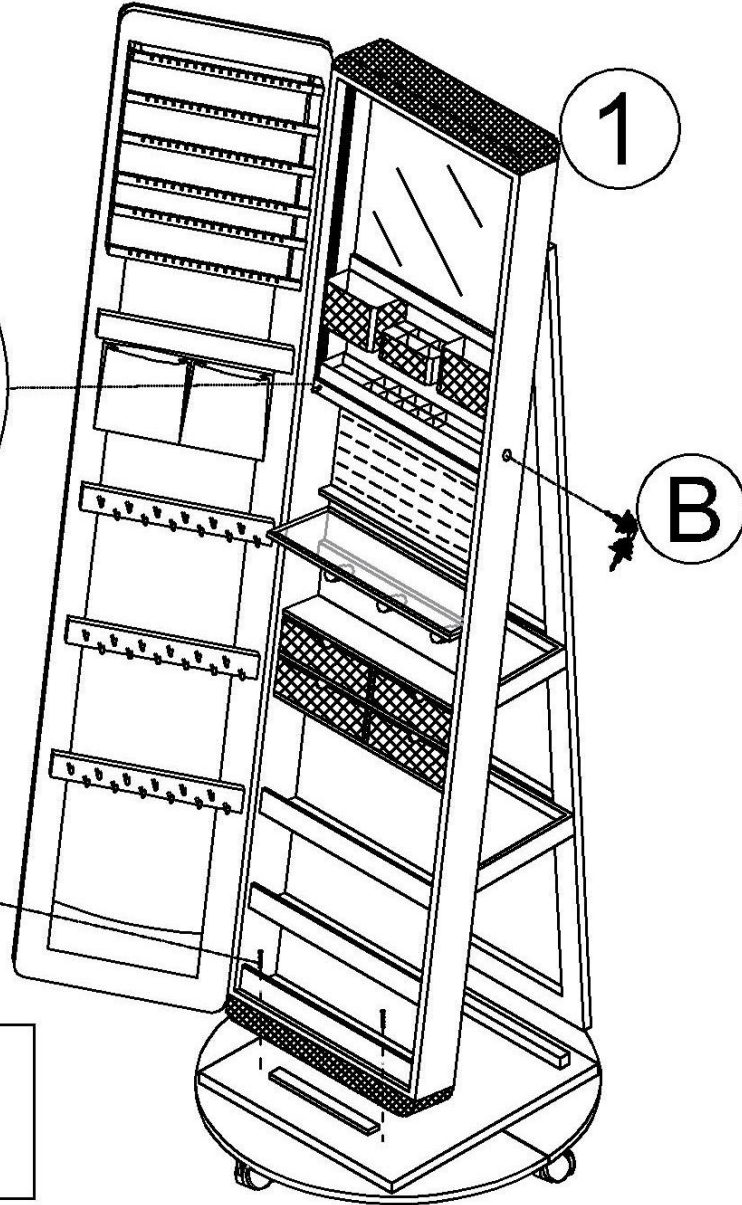
Step 2

H	 (6*50mm) x 2
B	 x 2







Battery installation (Tip: use 6 AA Batteries)

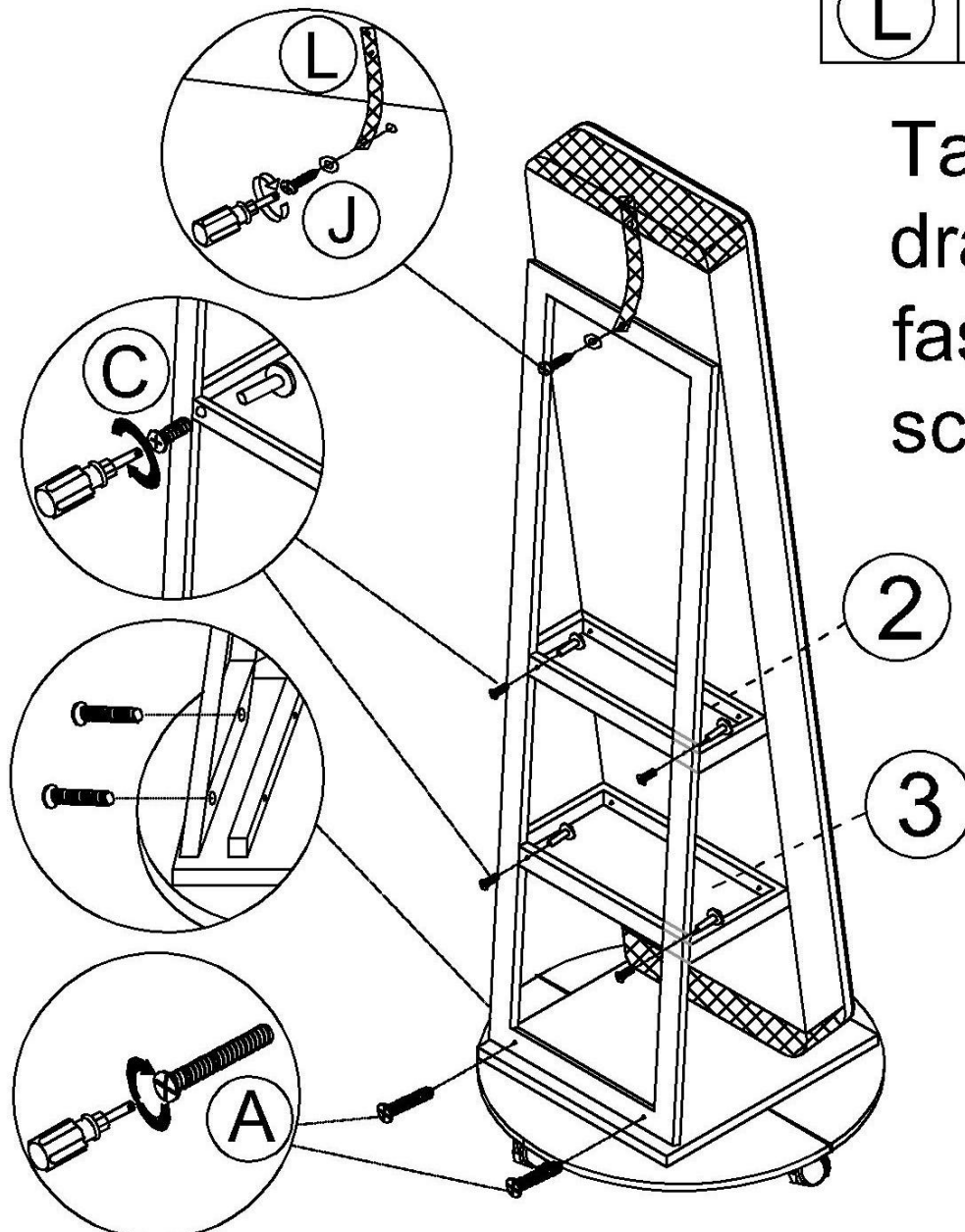


Use long screw **H** (6*50mm)



Step 3

J	 x 1	D	 (5*8mm) x 4
K	 x 1	C	 (5*20mm) x 4
L	 x 1	A	 (6*30mm) x 2



Take out the drawer and fasten the screws

