






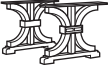

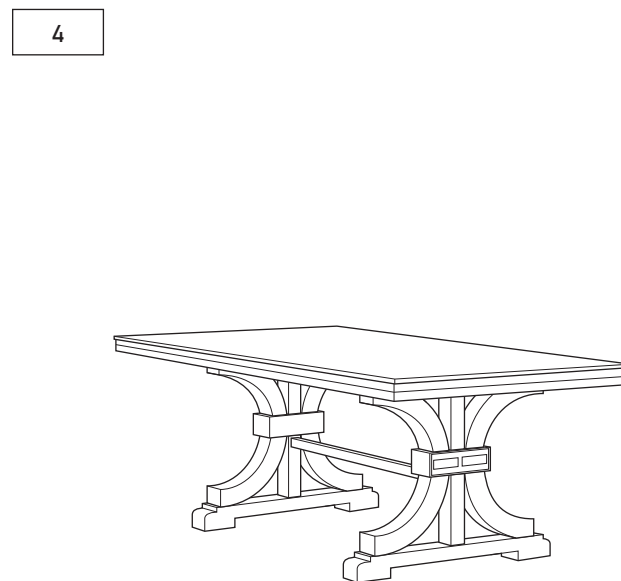
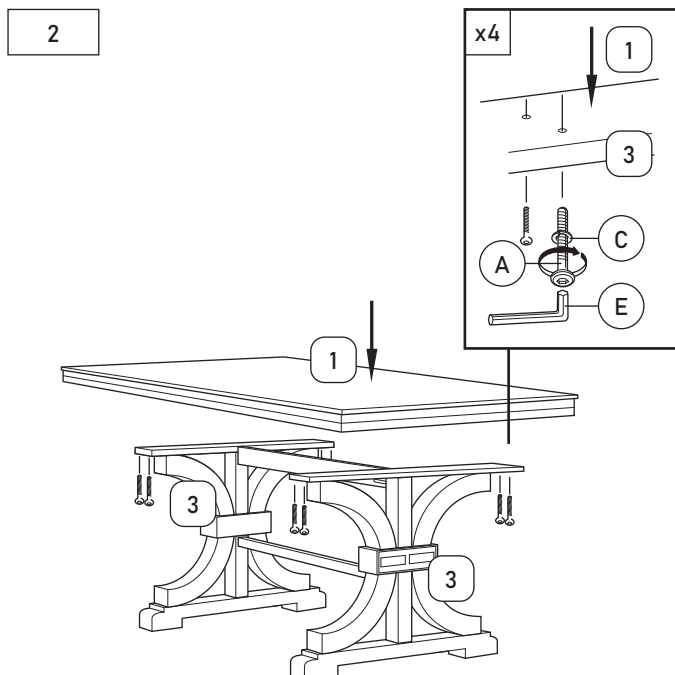
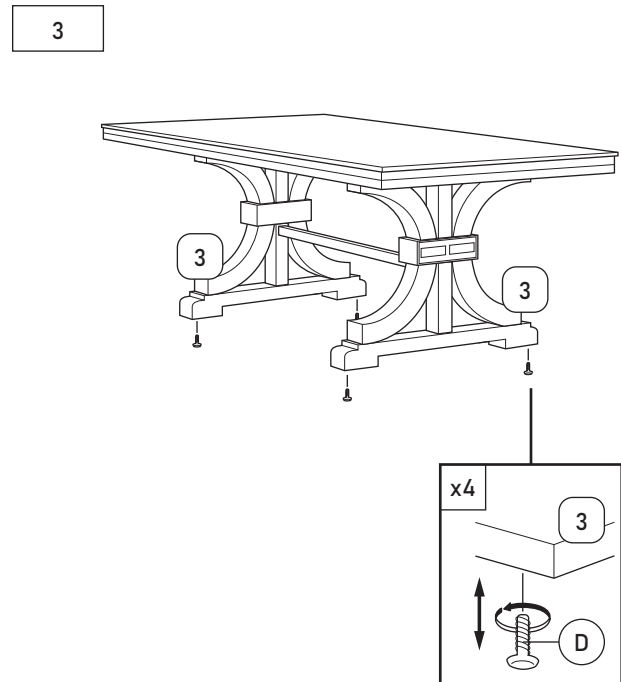
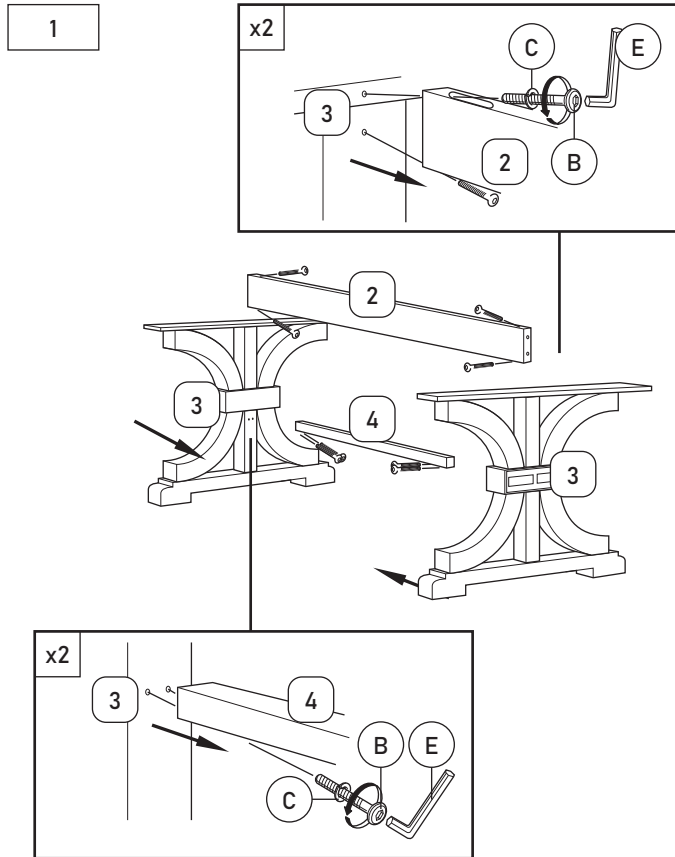


# ASSEMBLY INSTRUCTION

- Important note: - Place all wooden part on a clean and smooth surface such as rug or carpet to avoid the part from being scratch.  
 - Please follow the assembly instruction step by step.  
 - Do not tighten all screw until the table is fully set-up.

| No | Hardware List  | Qty.   |
|----|--|--------|
| A  | JCBC M6 x 40mm    | 8 pcs  |
| B  | JCBC M6 x 50mm    | 8 pcs  |
| C  | M6 Spring Washer  | 16 pcs |
| D  | Adjustable        | 4 pcs  |
| E  | Allen Key M4      | 1 pc   |

| No | Part List  | Qty.  |
|----|--|-------|
| 1  | Table Top             | 1 pc  |
| 2  | Table Top Support     | 1 pc  |
| 3  | Table Stump           | 2 pcs |
| 4  | Table Center Support  | 1 pc  |



COMPLETED ASSEMBLY