

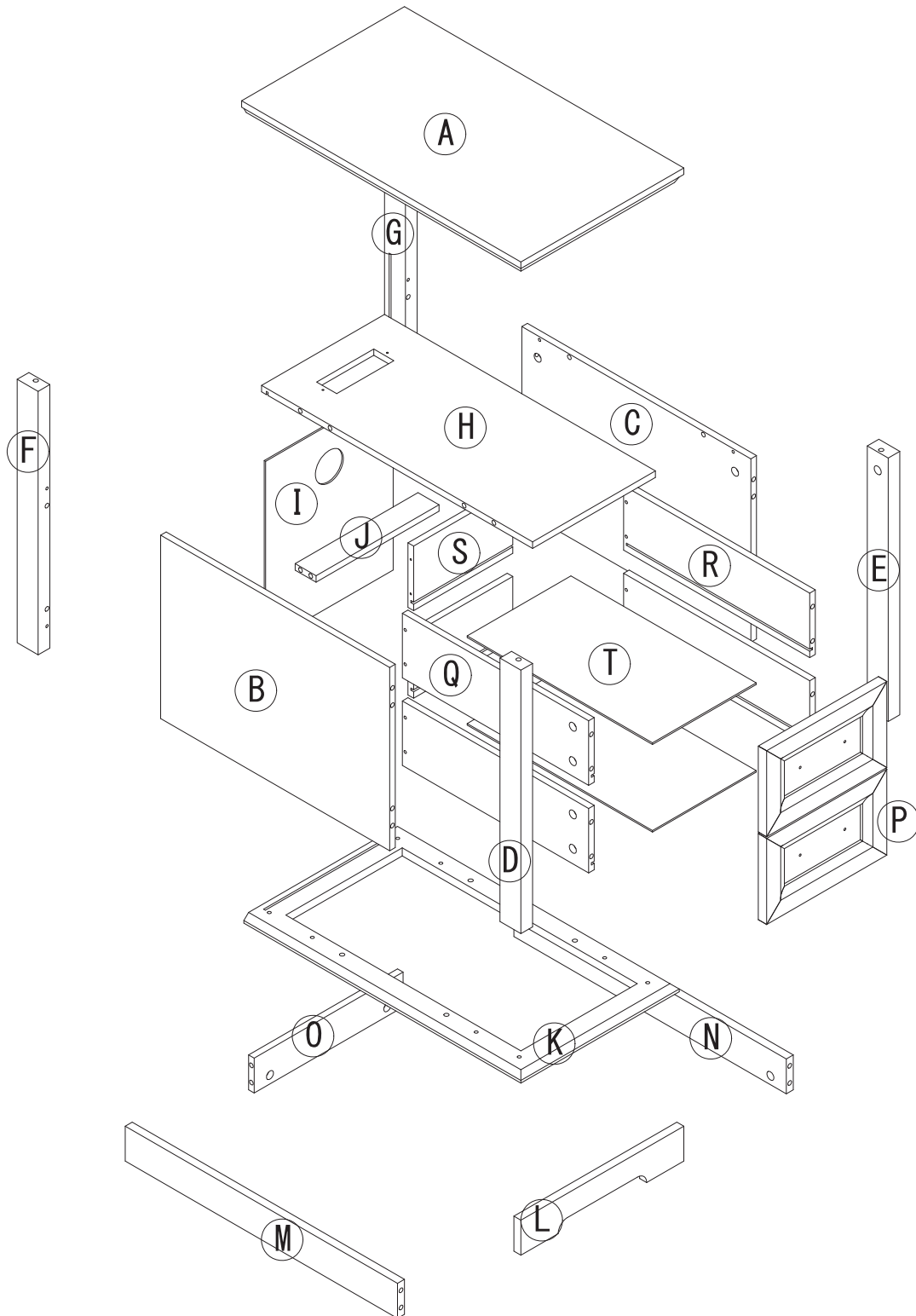
**BESIDE TABLE**

---

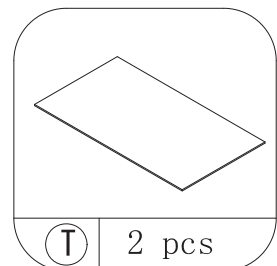
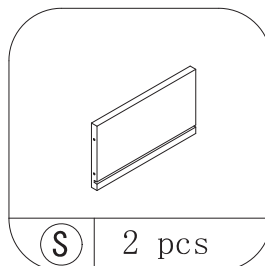
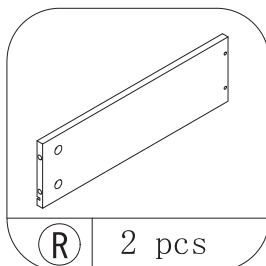
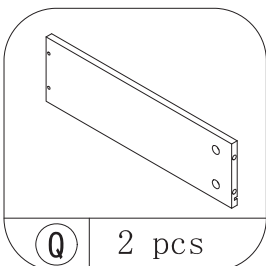
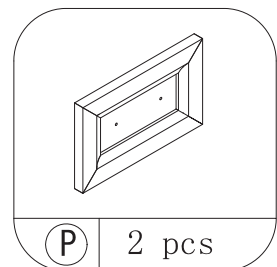
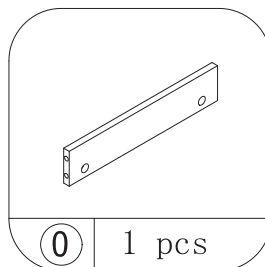
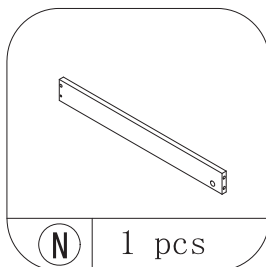
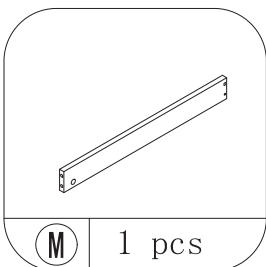
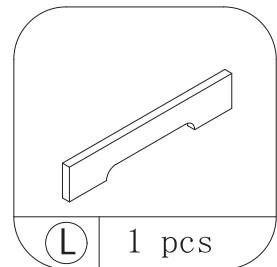
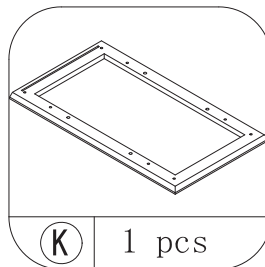
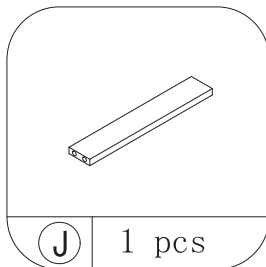
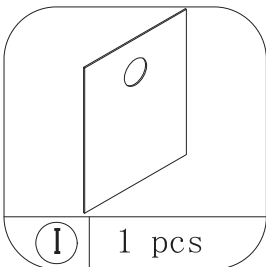
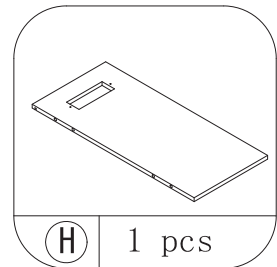
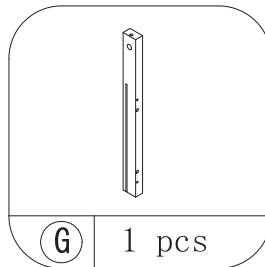
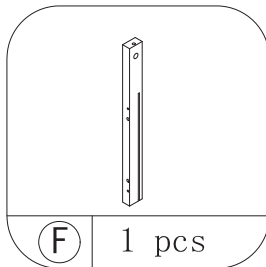
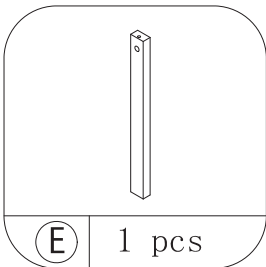
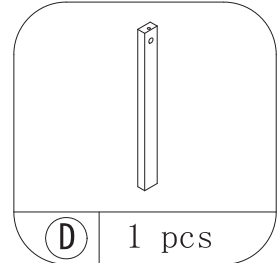
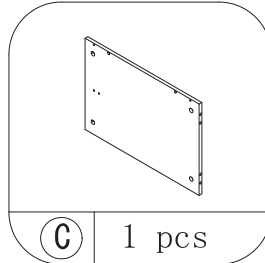
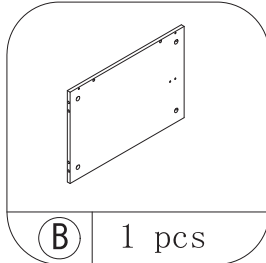
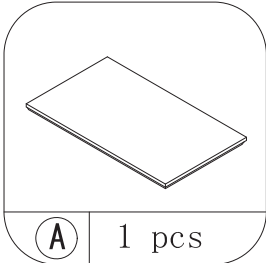
**USER MANUAL**

1

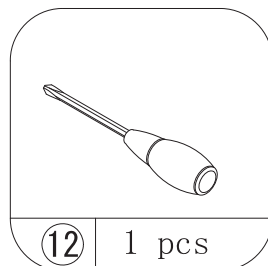
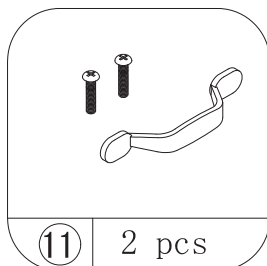
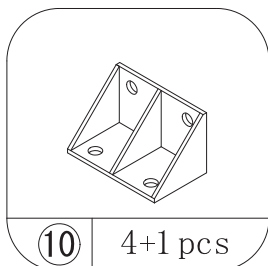
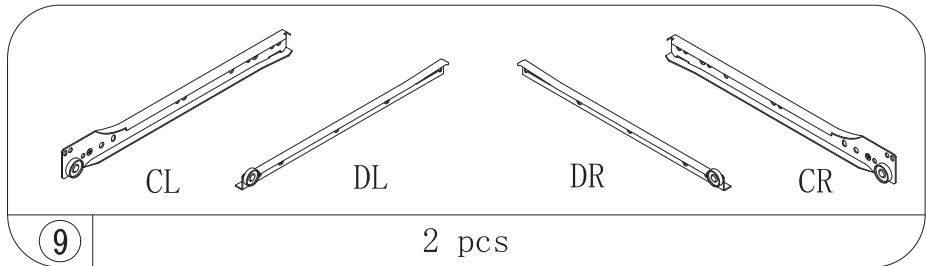
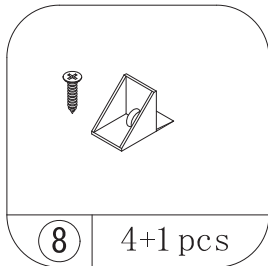
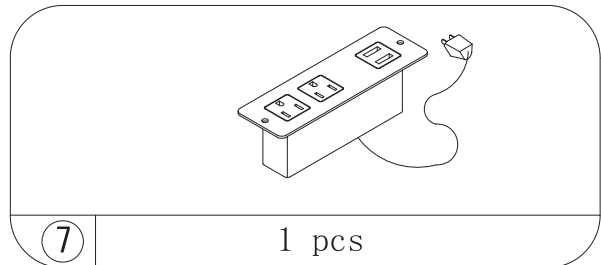
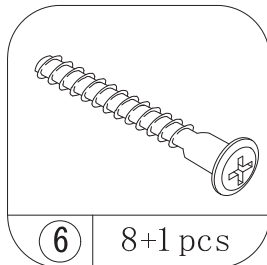
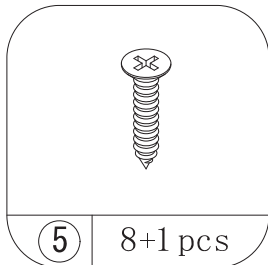
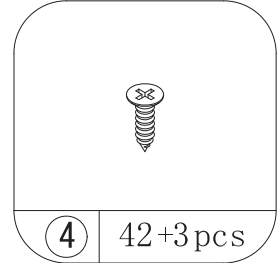
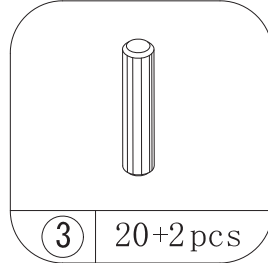
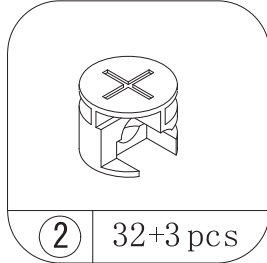
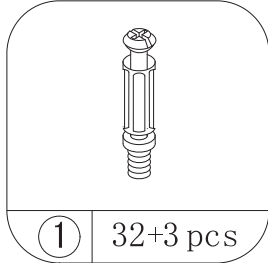
# ASSEMBLY INSTRUCTIONS



## PACKAGING LIST

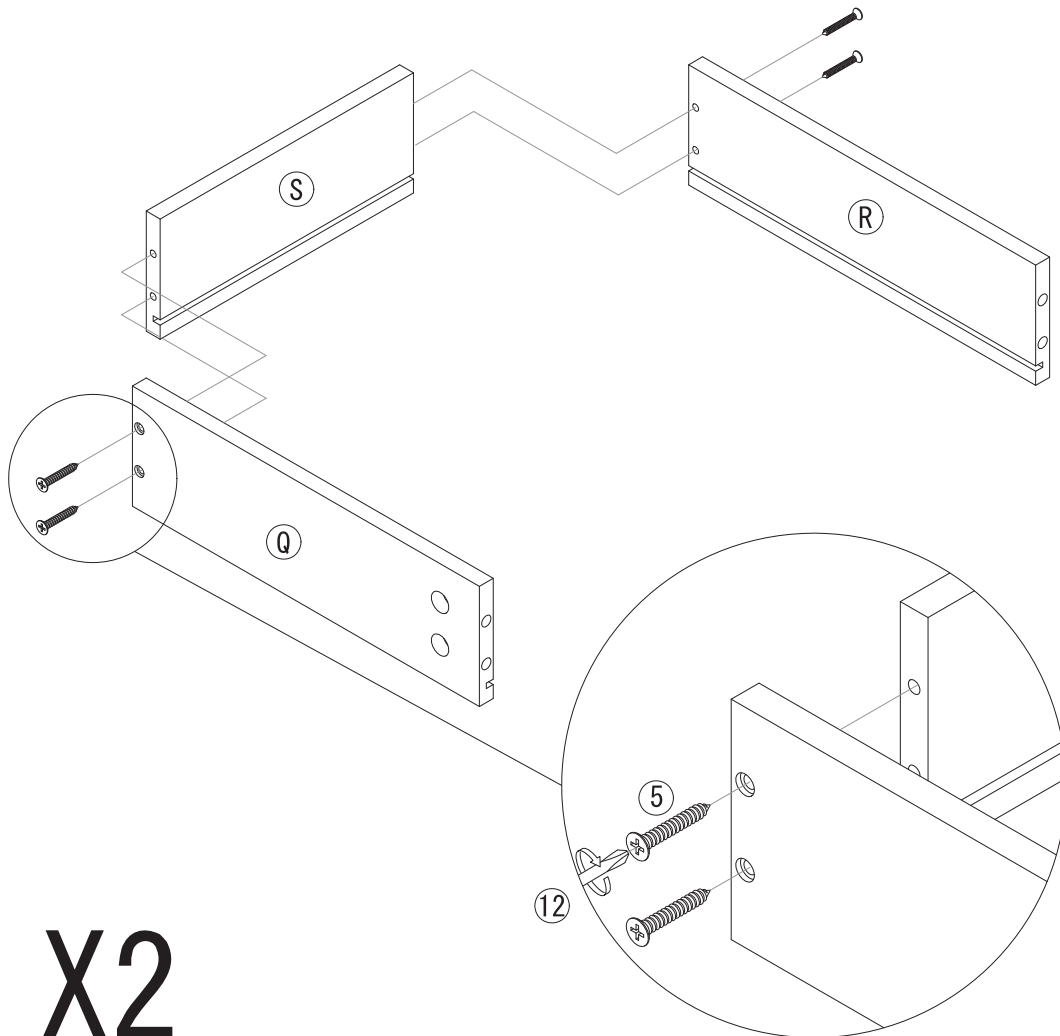
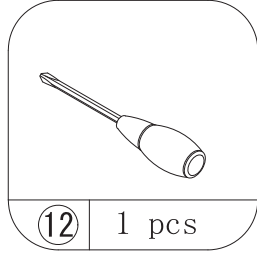
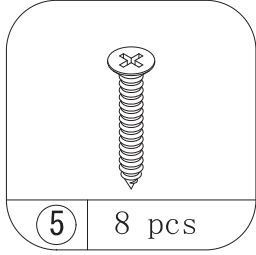


# PACKAGING LIST



4

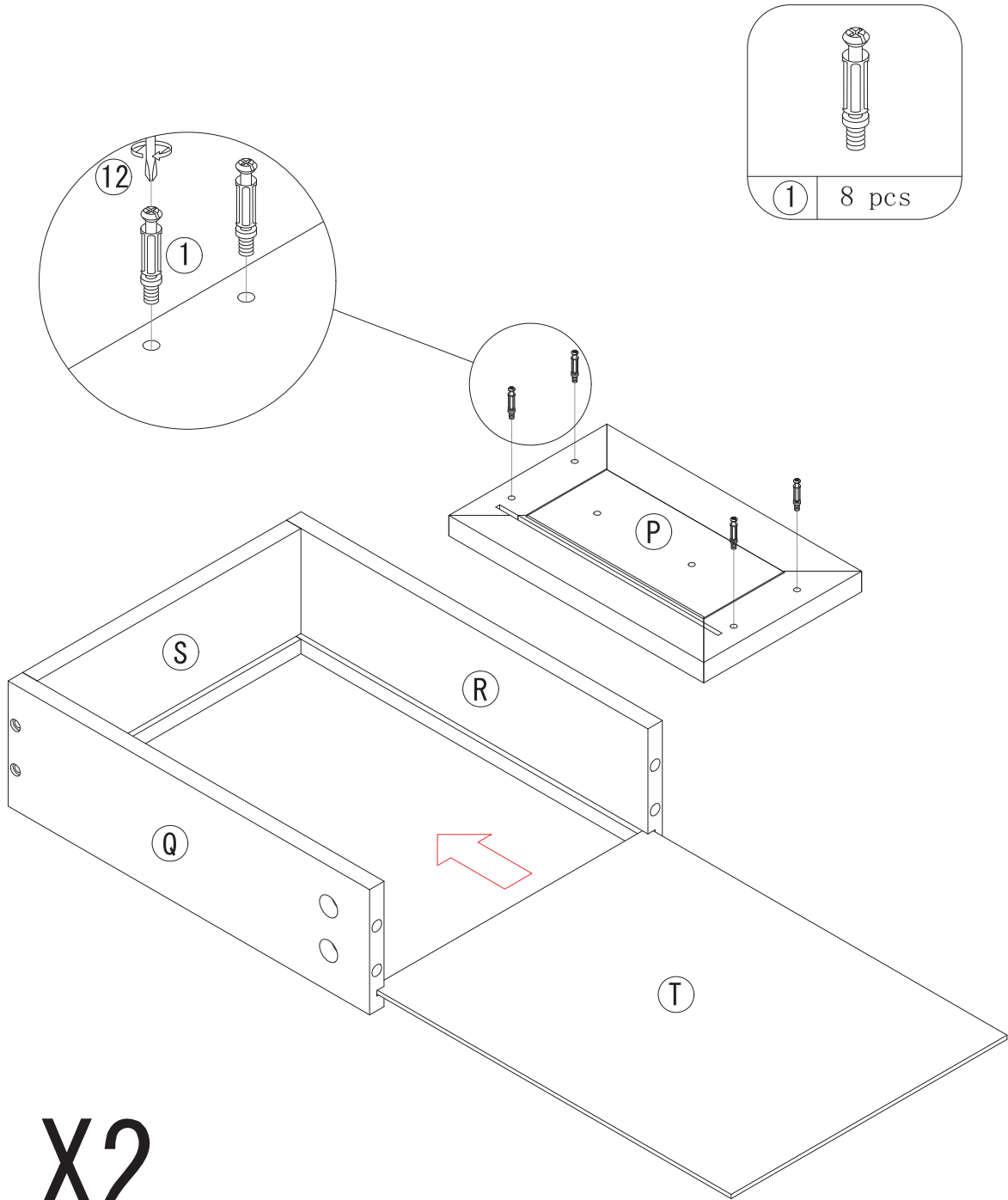
# STEP 1



X2

5

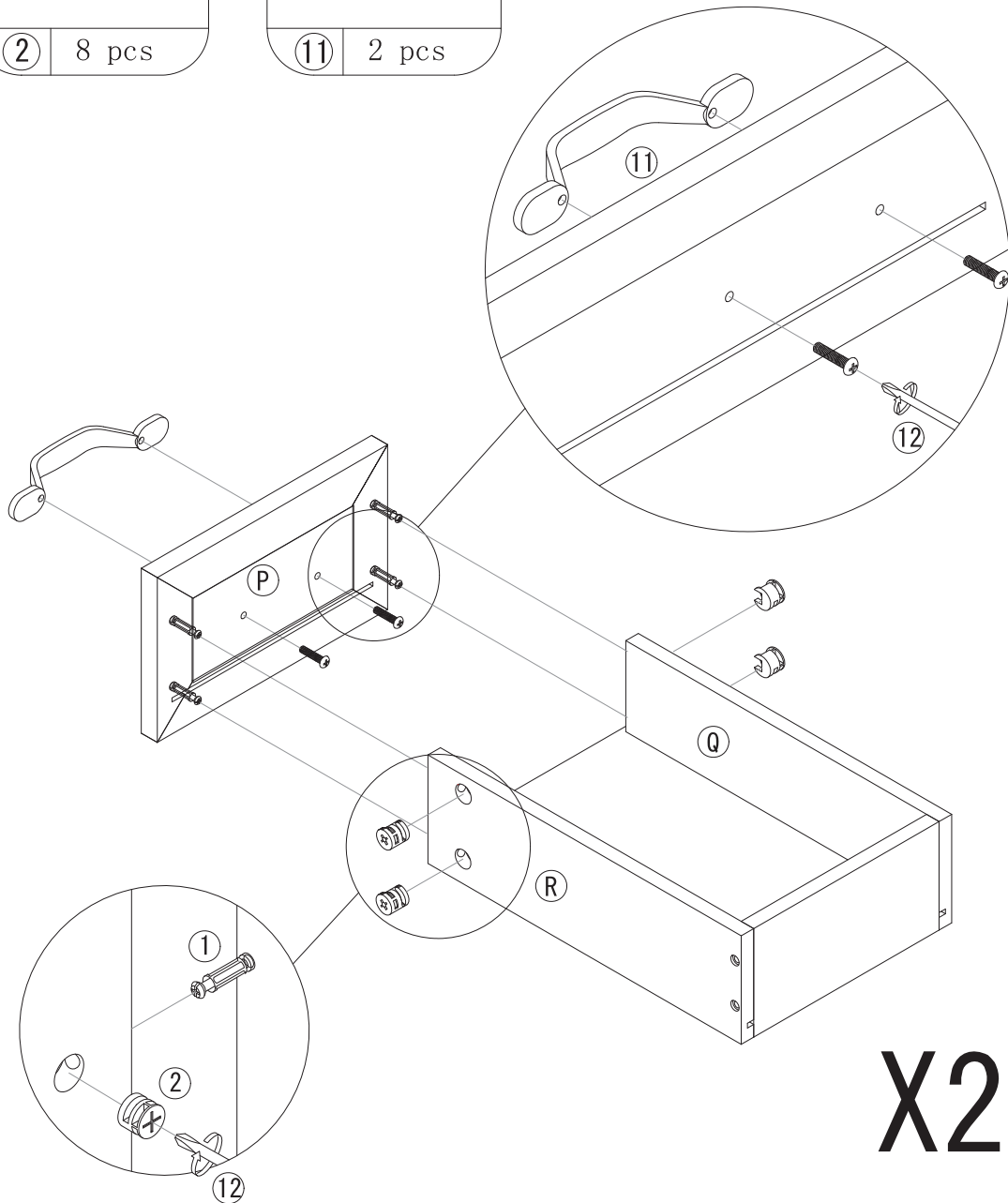
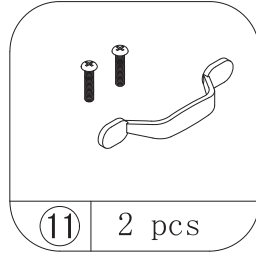
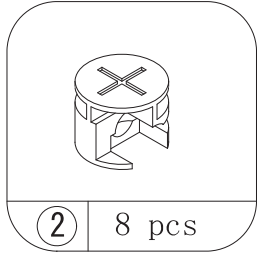
# STEP 2



X2

6

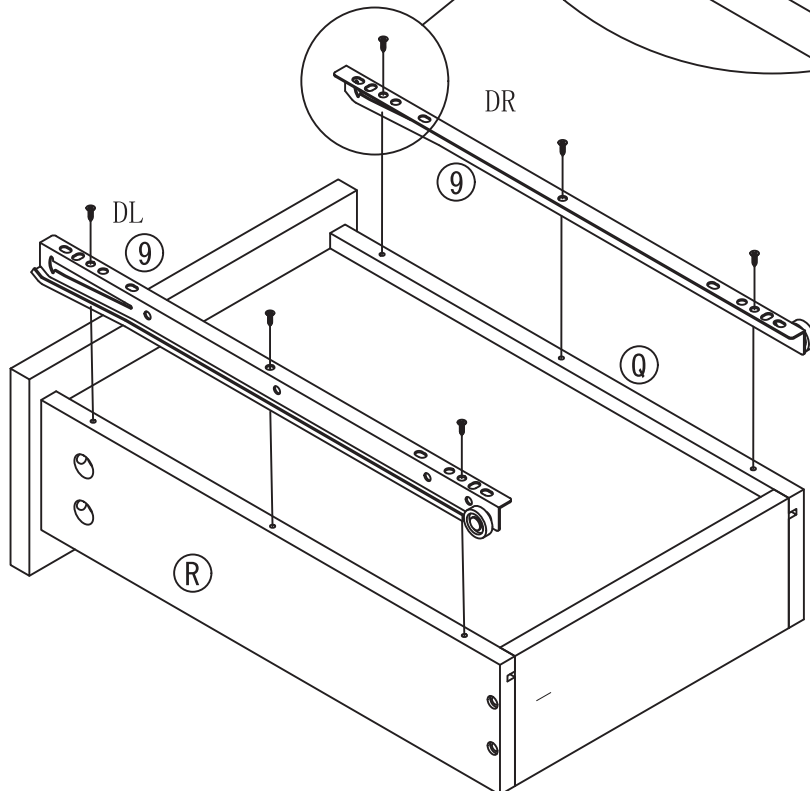
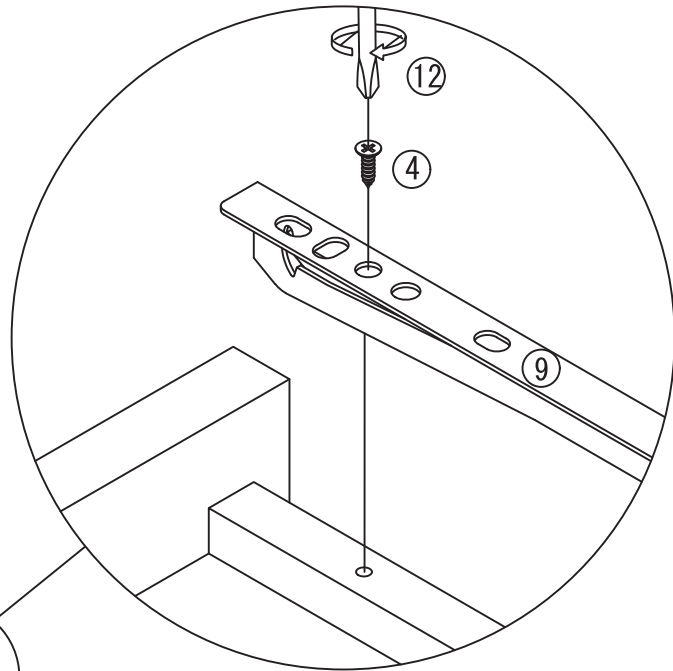
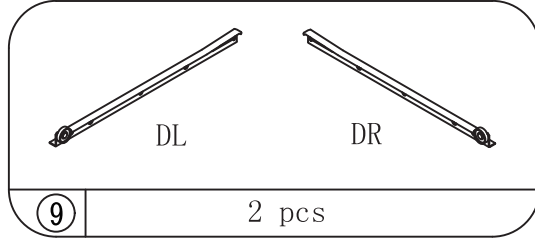
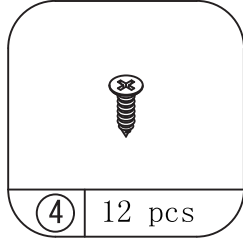
### STEP 3



X2

7

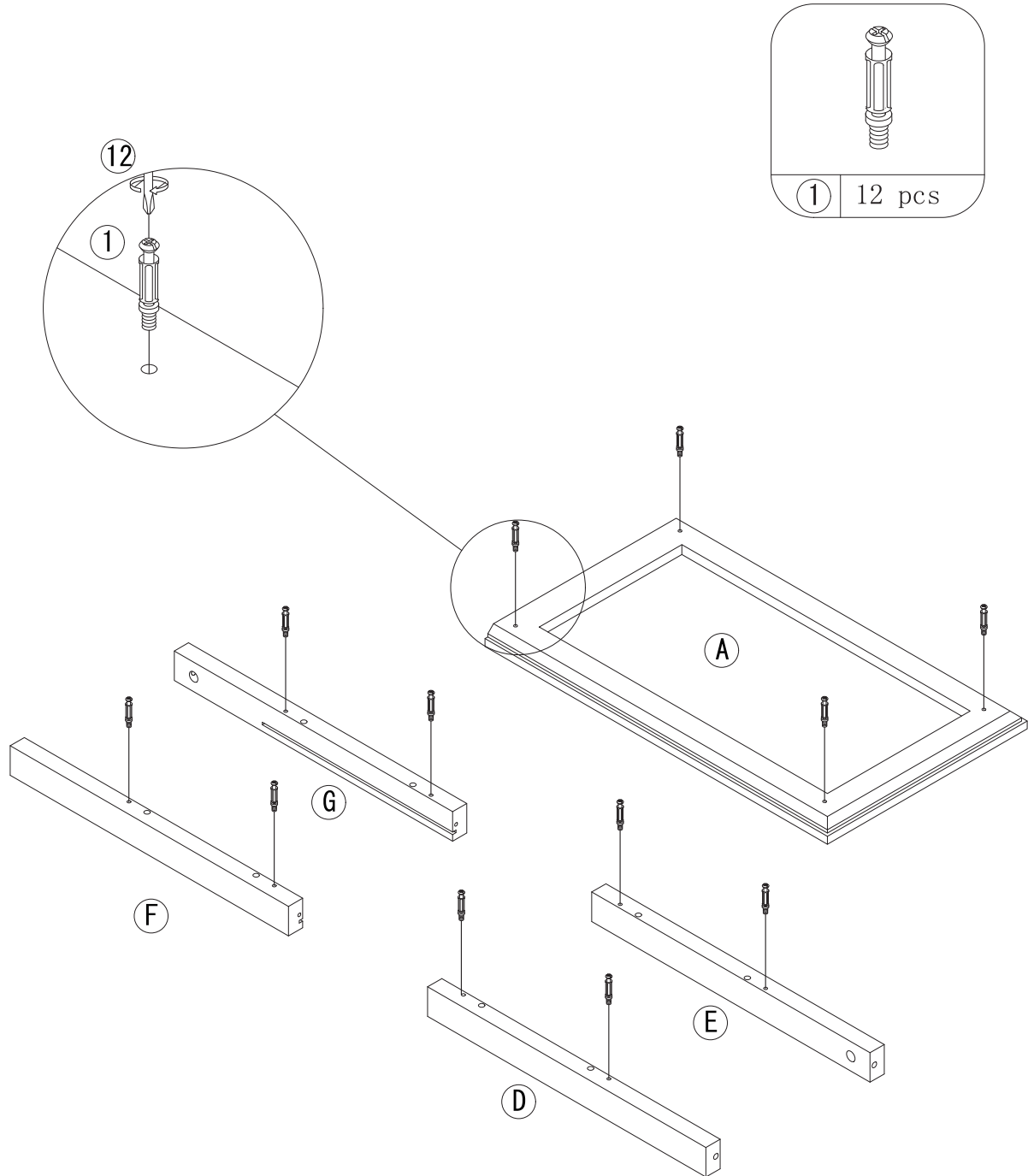
# STEP 4



X2

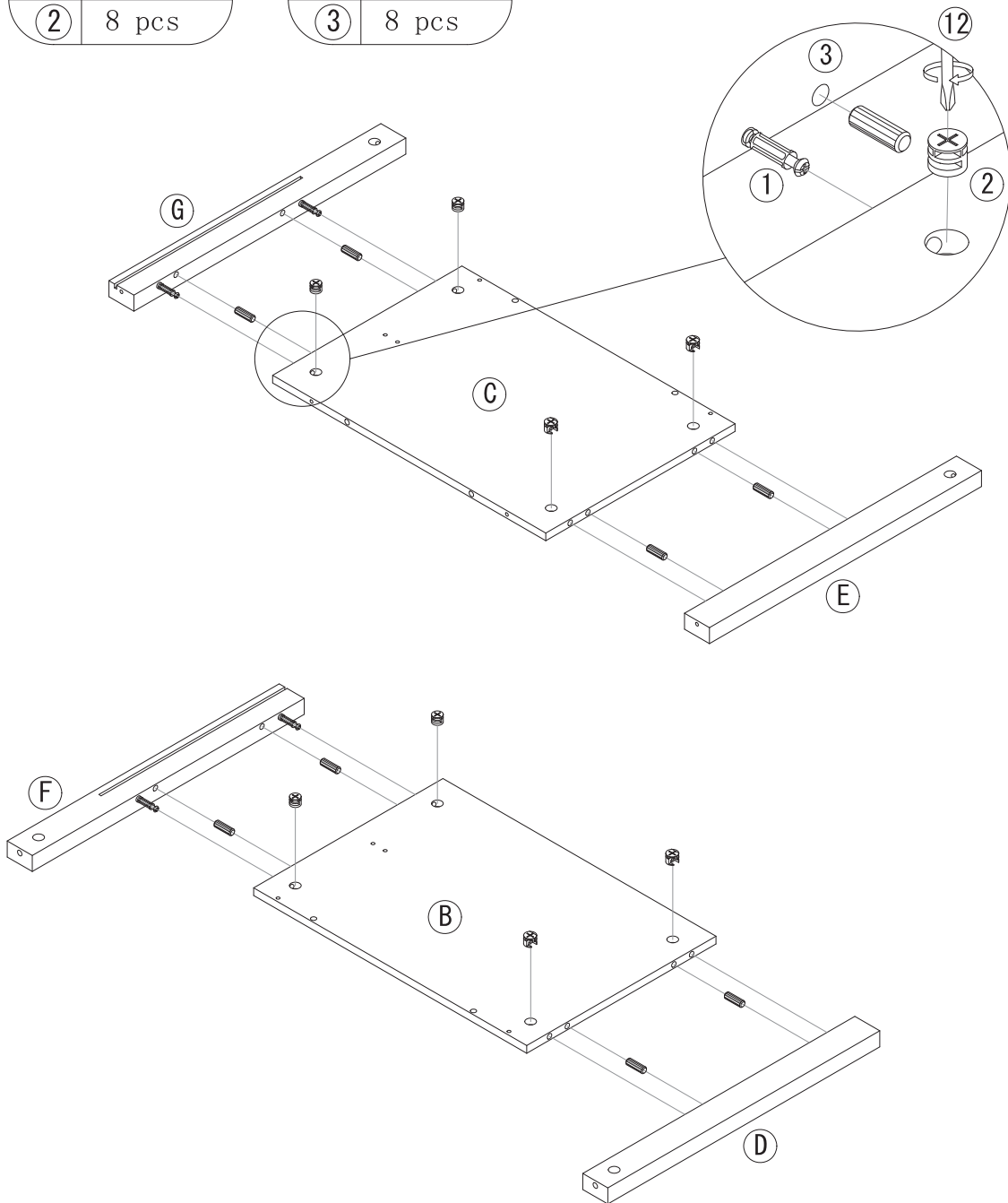
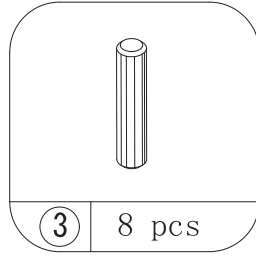
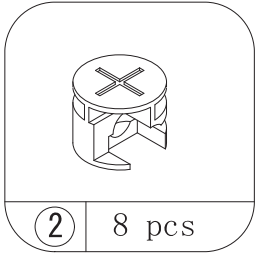
8

# STEP 5

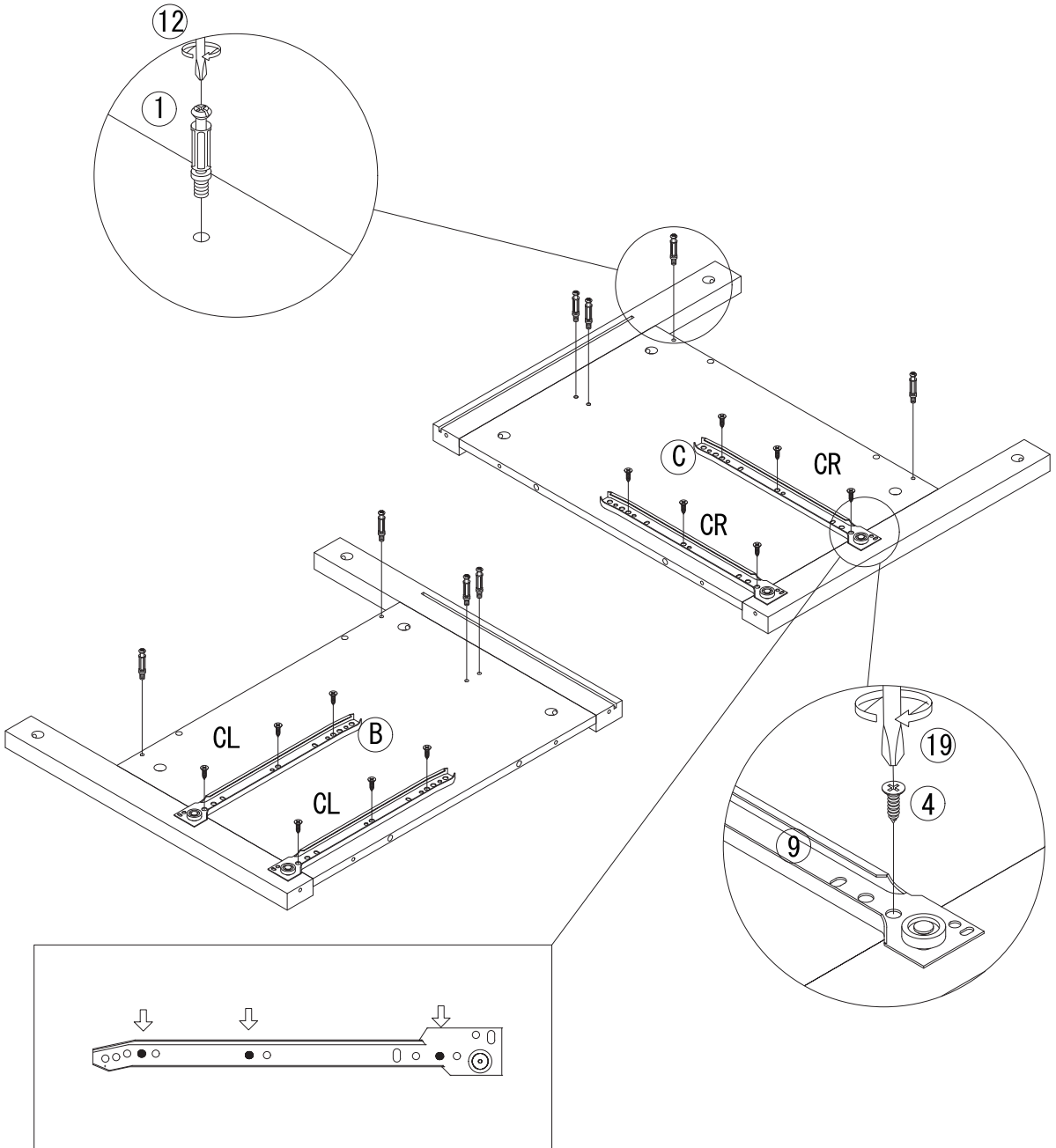
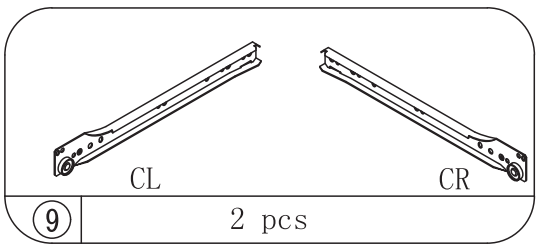
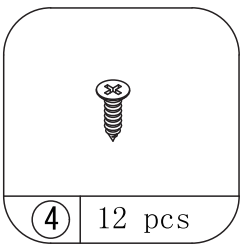
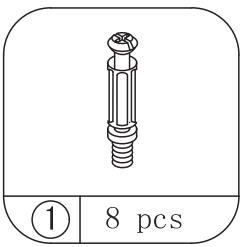


9

# STEP 6

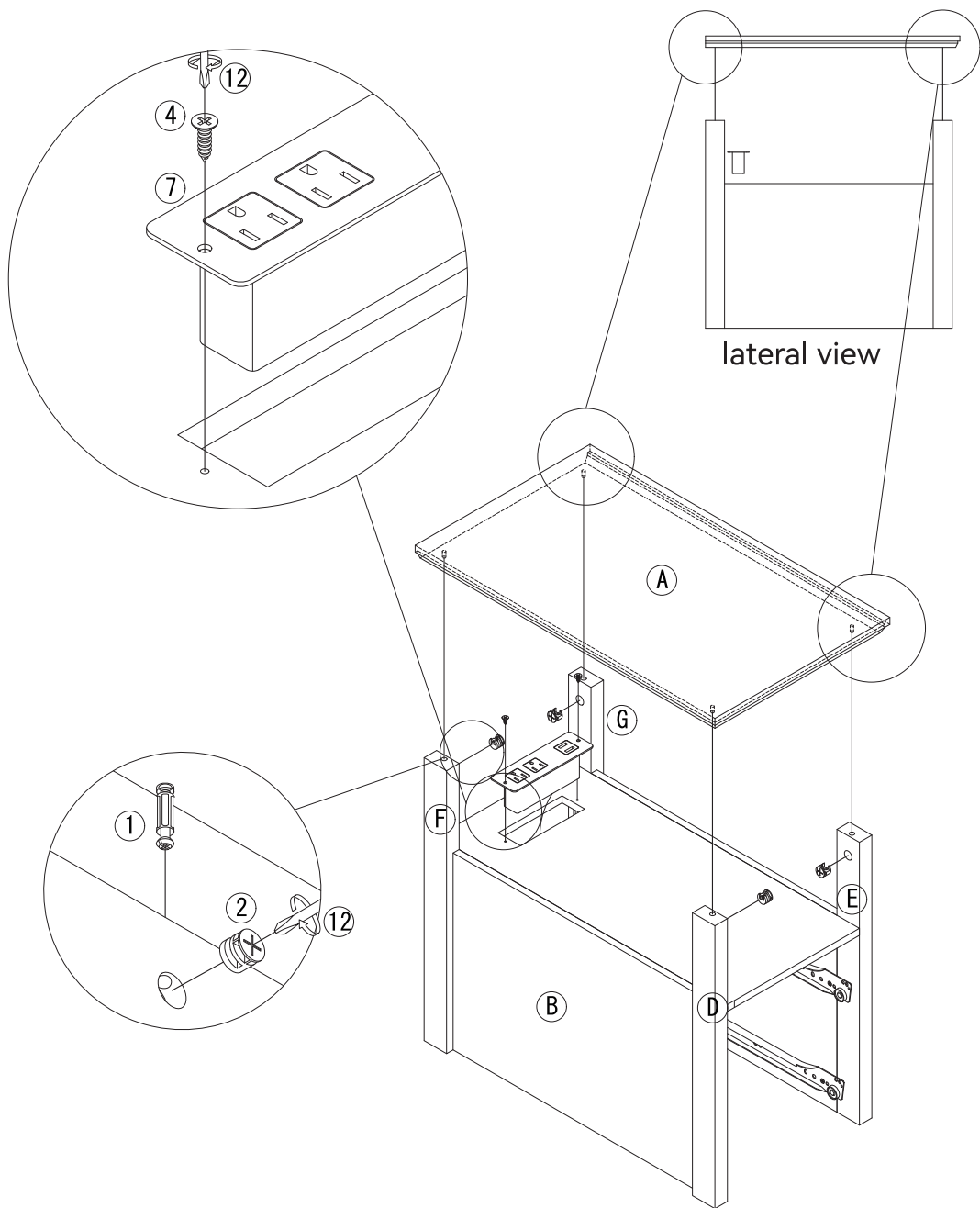
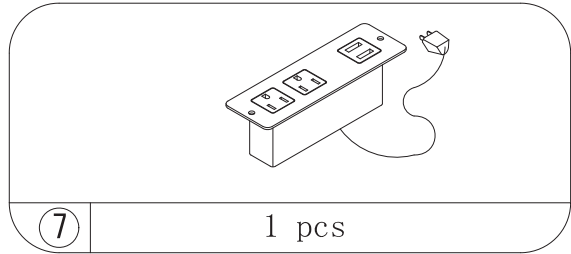
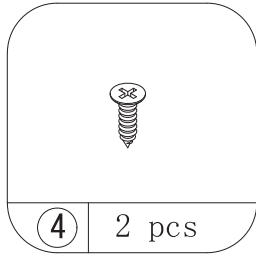
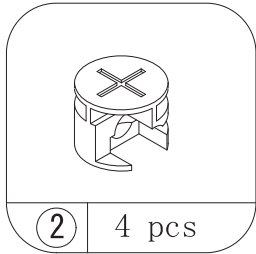


# STEP 7



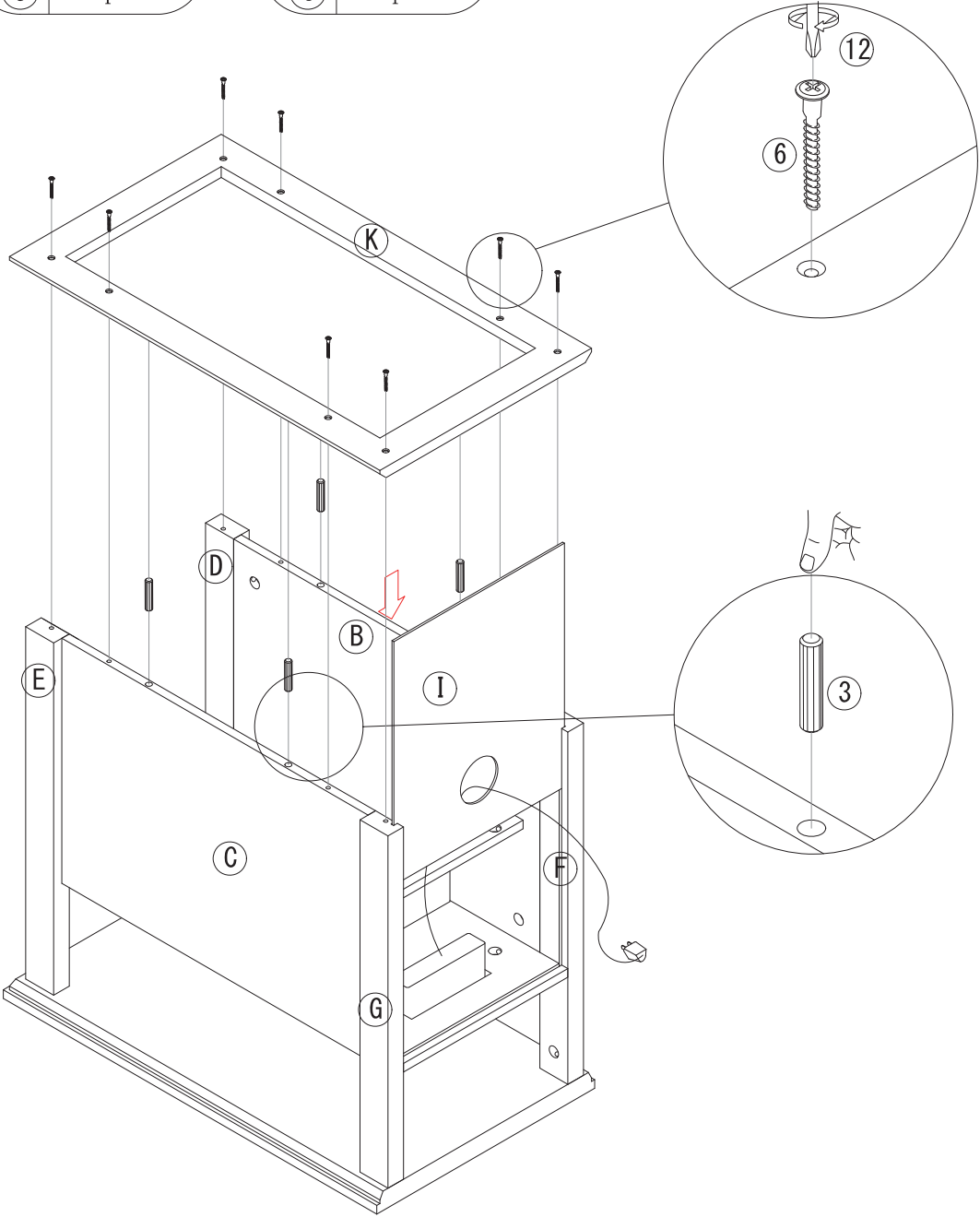
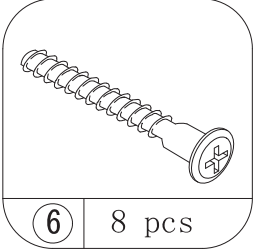
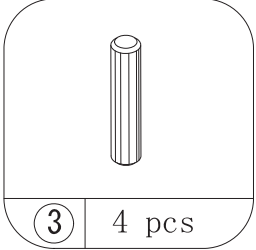


# STEP 9

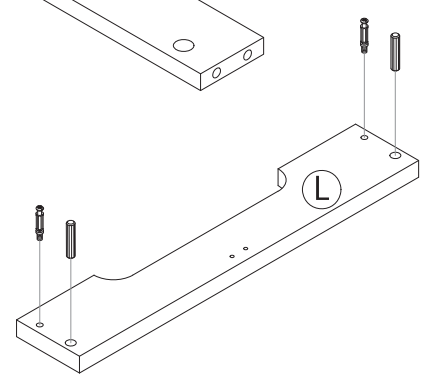
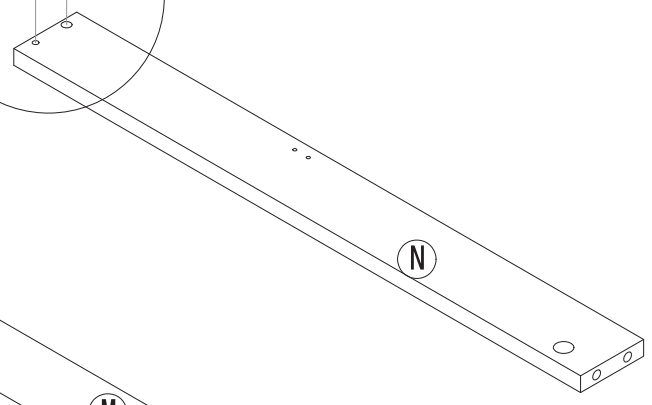
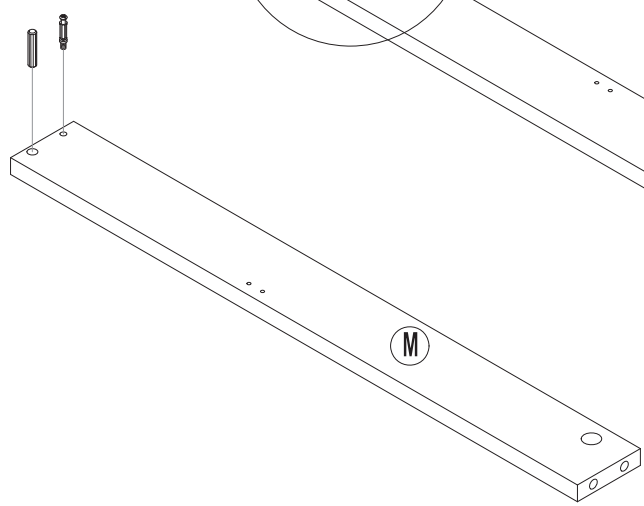
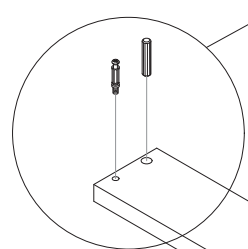
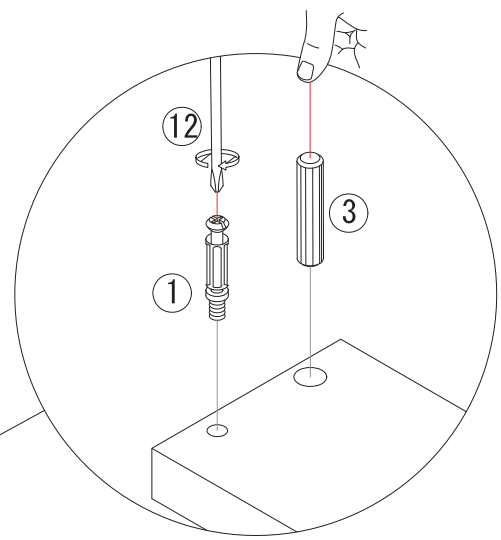
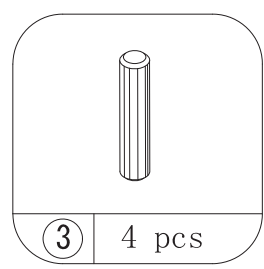
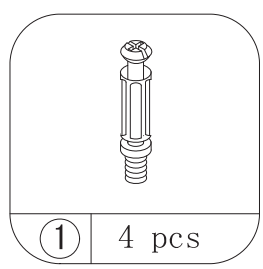


13

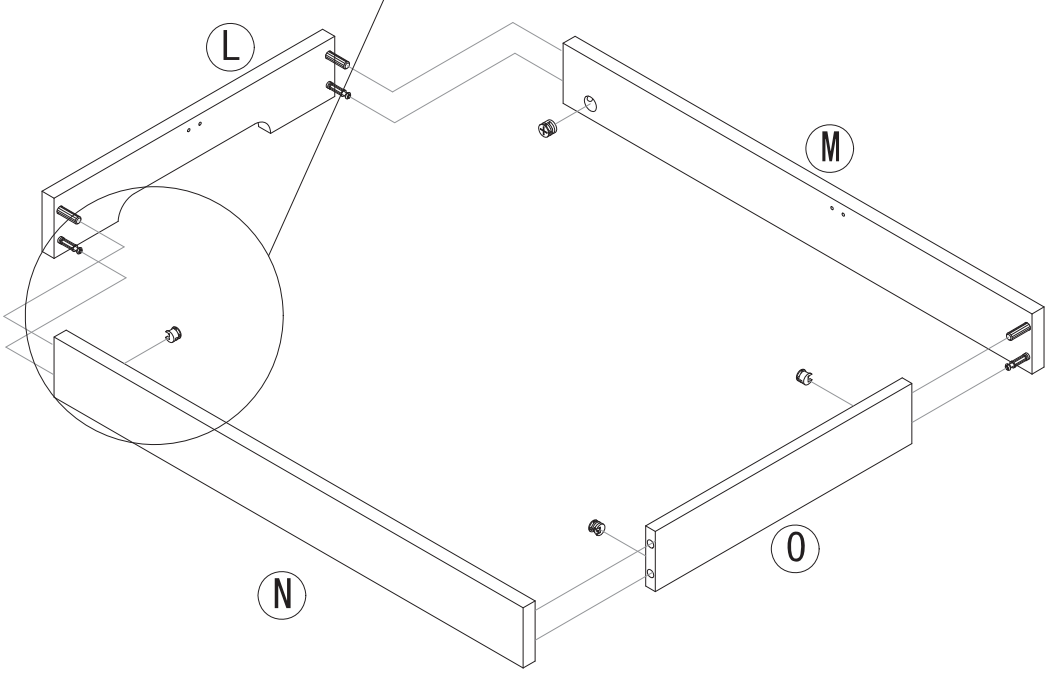
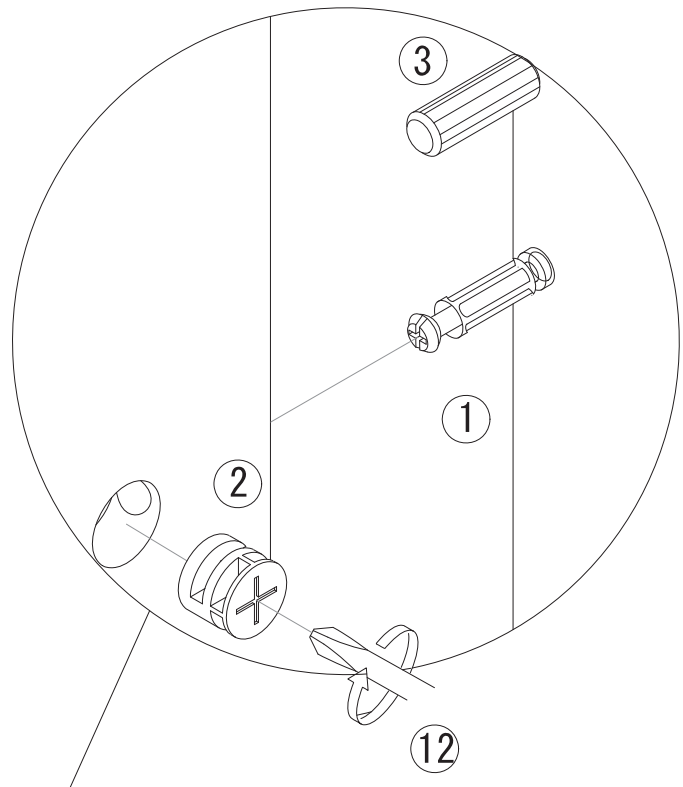
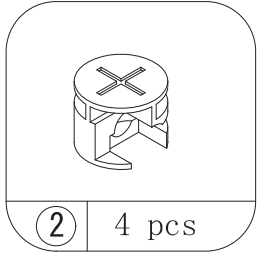
# STEP 10



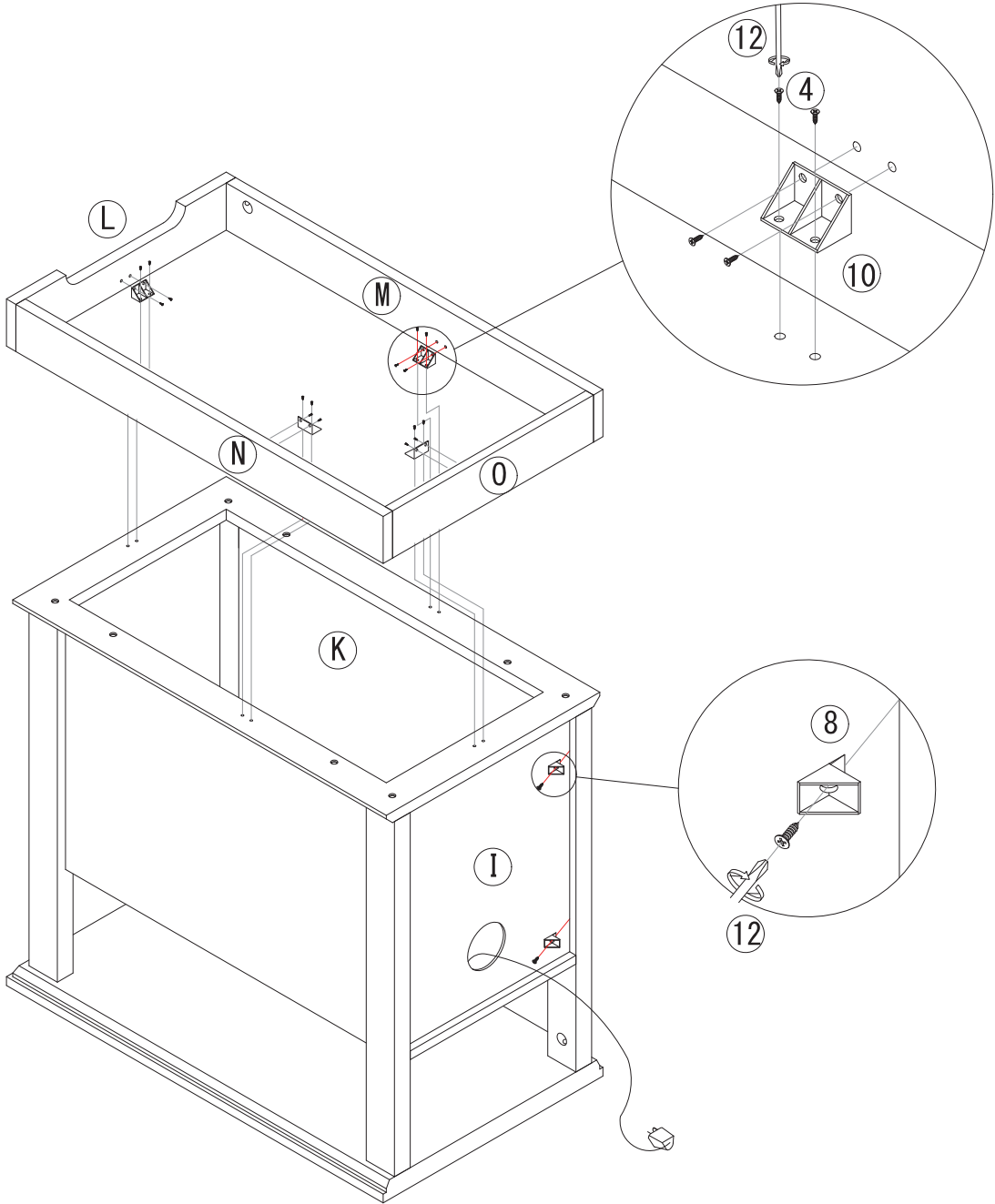
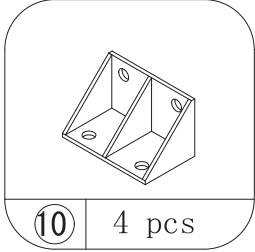
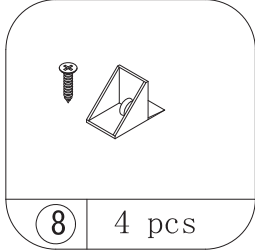
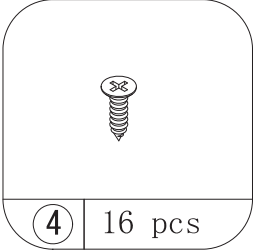
# STEP 11



# STEP 12



# STEP 13



17

STEP 14

