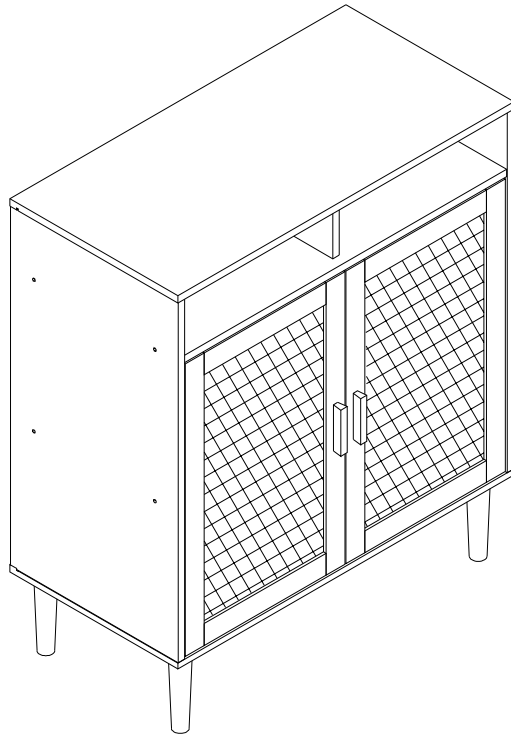

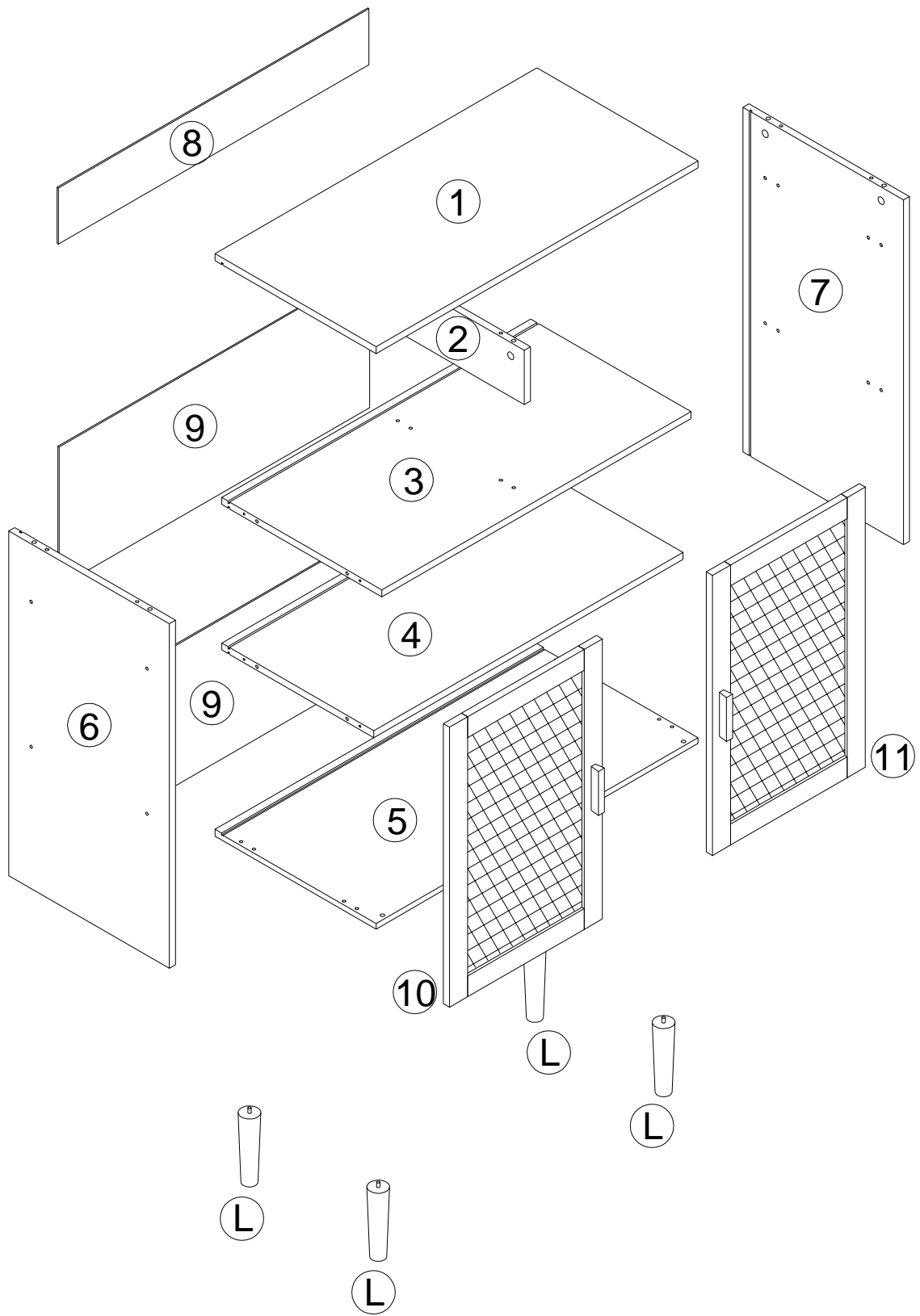


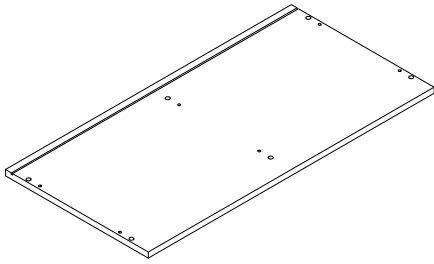
Assembly Instruction



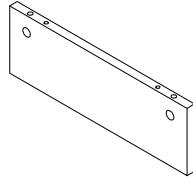
 Team
Assembly
Recommended



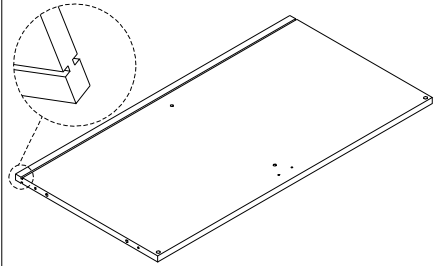
Part list



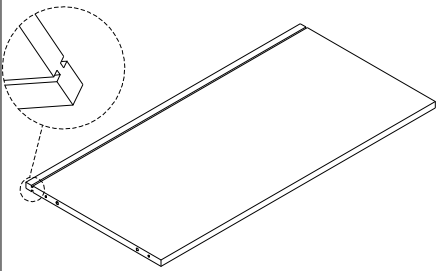
① X1



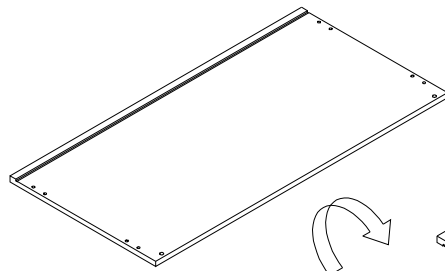
② X1



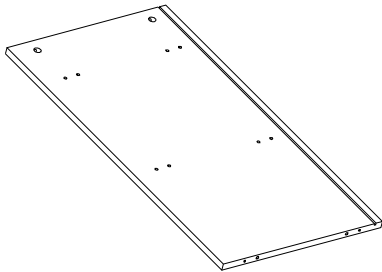
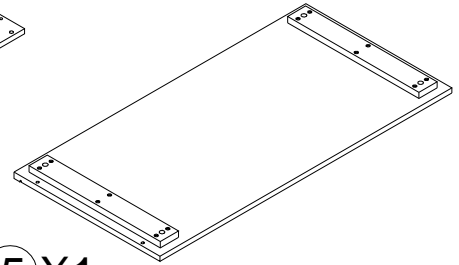
③ X1



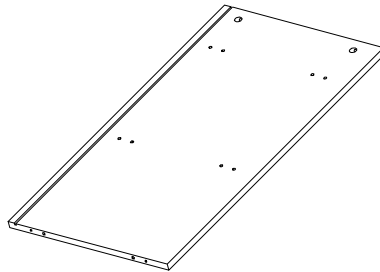
④ X1



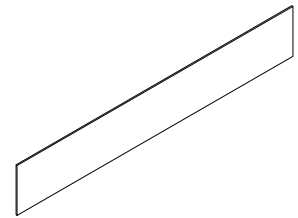
⑤ X1



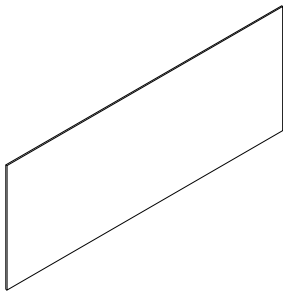
⑥ X1



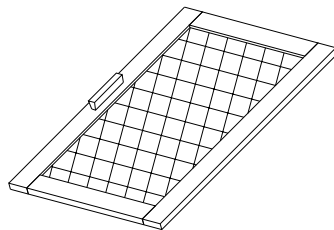
⑦ X1



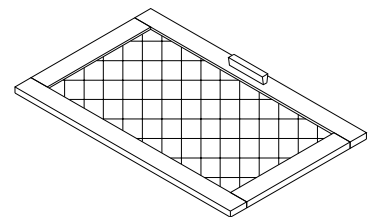
⑧ X1



⑨ X2

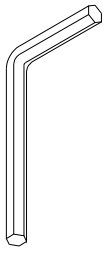


⑩ X1



⑪ X1

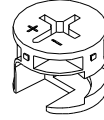
Hardware list



Ⓐ X1



Ⓑ X6



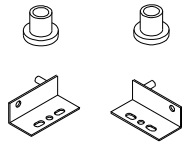
Ⓒ X6



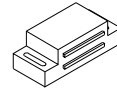
Ⓓ X20



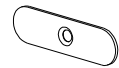
Ⓔ X21



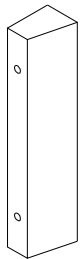
Ⓕ X2



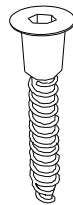
Ⓖ X1



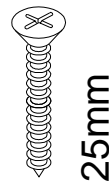
Ⓖ X2



Ⓘ X2



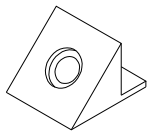
Ⓙ X14



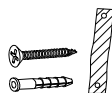
Ⓚ X4



Ⓛ X4

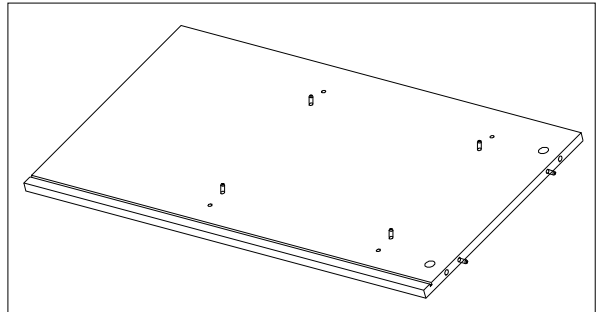
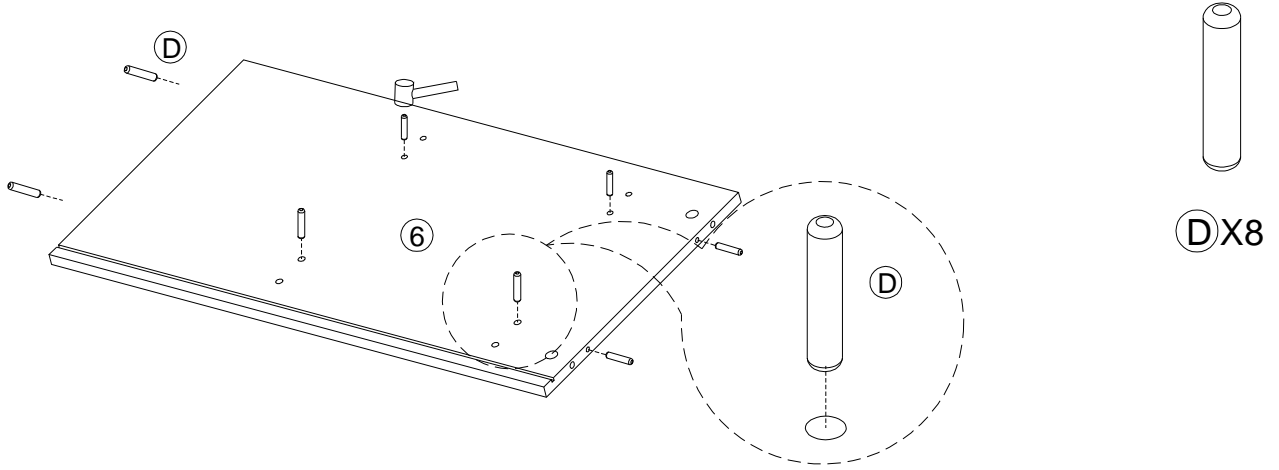


Ⓜ X8

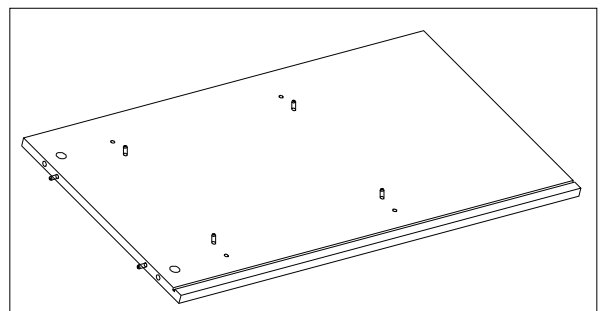
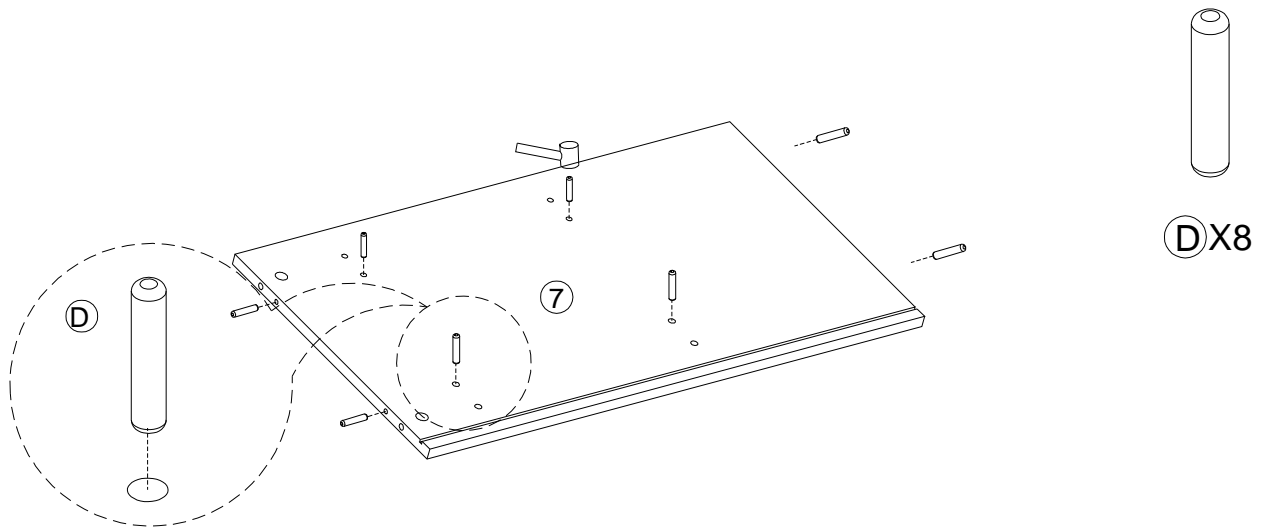


Ⓝ X1

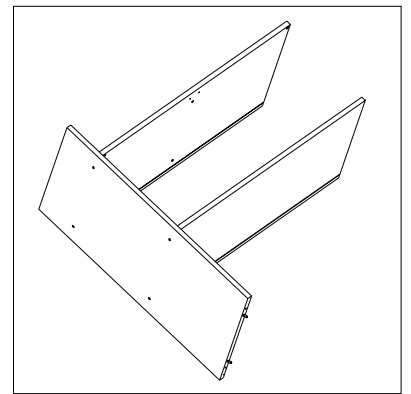
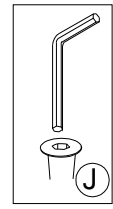
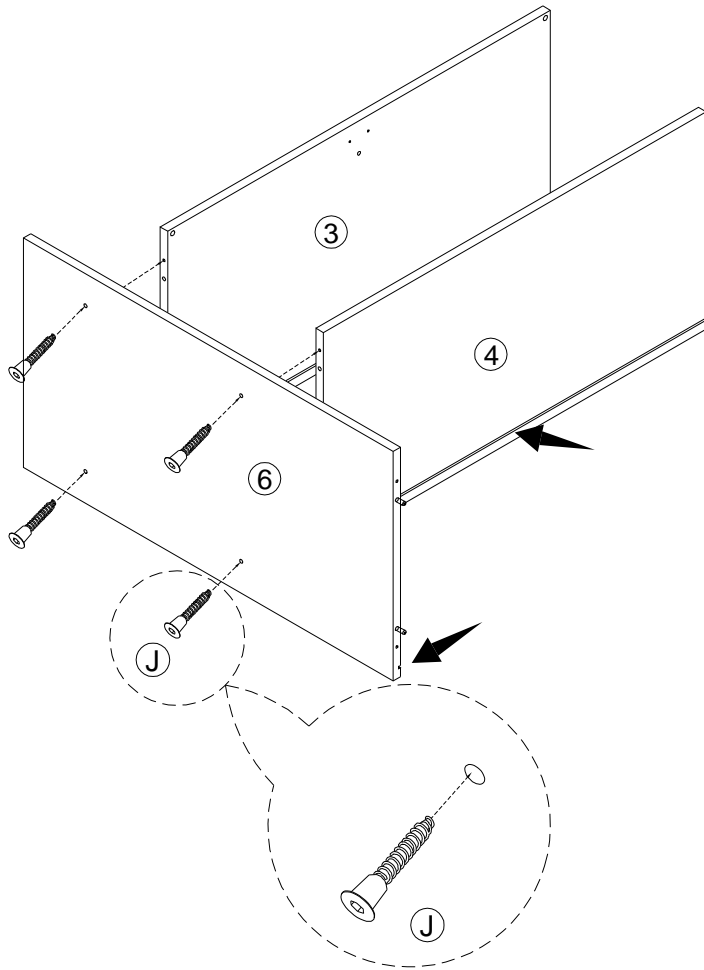
1



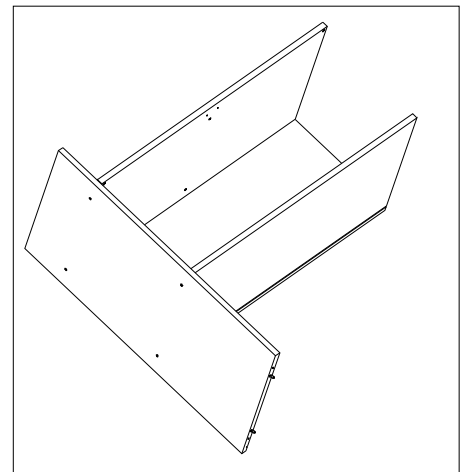
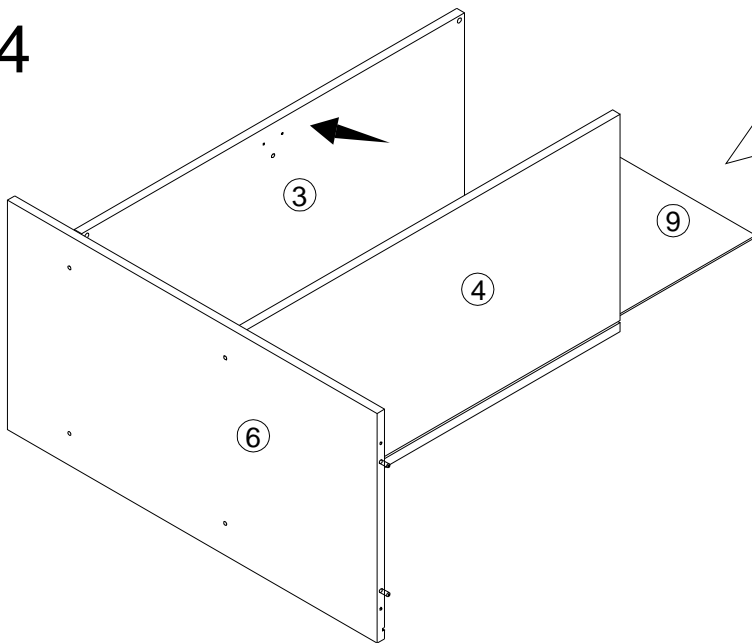
2



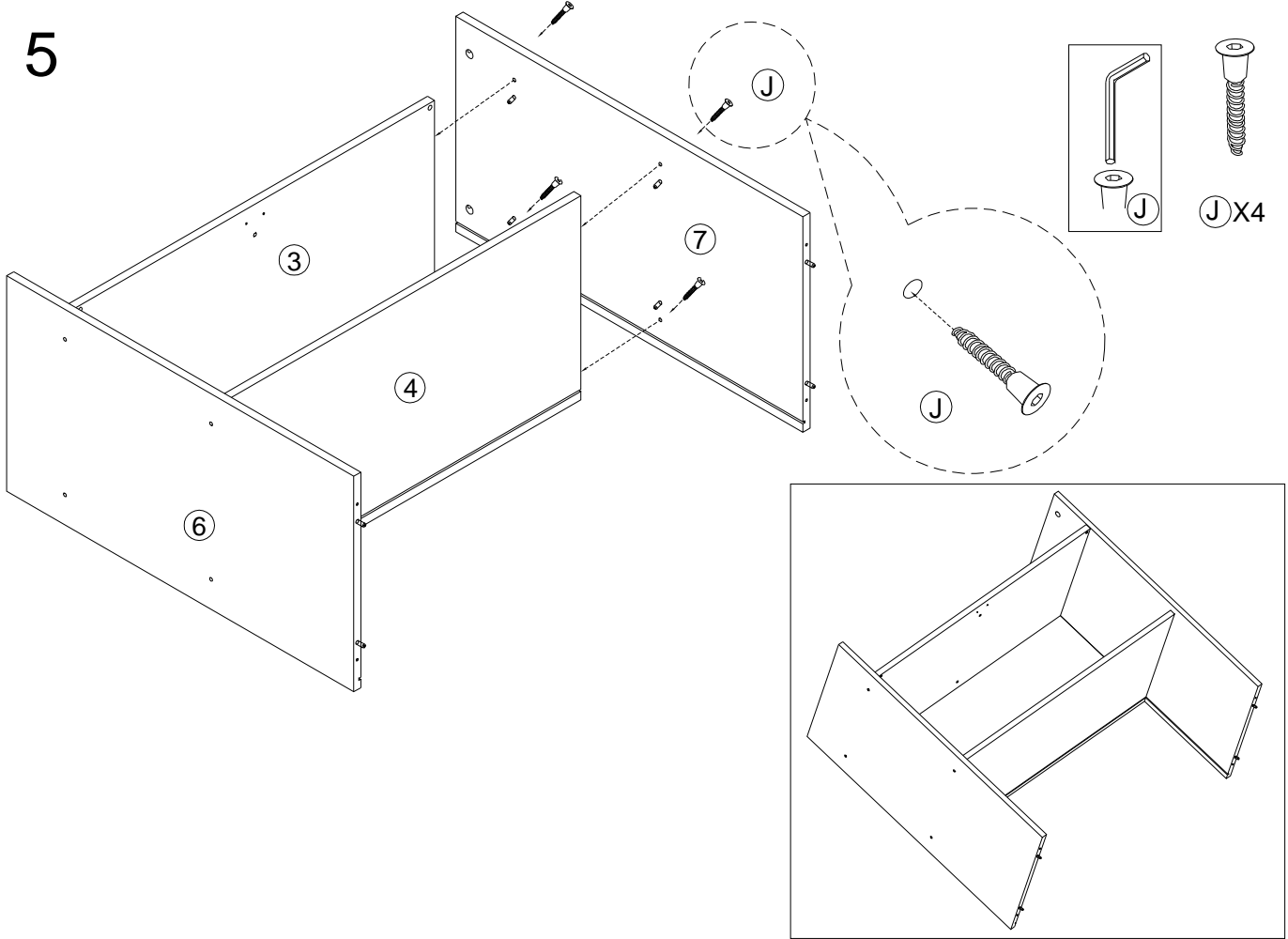
3



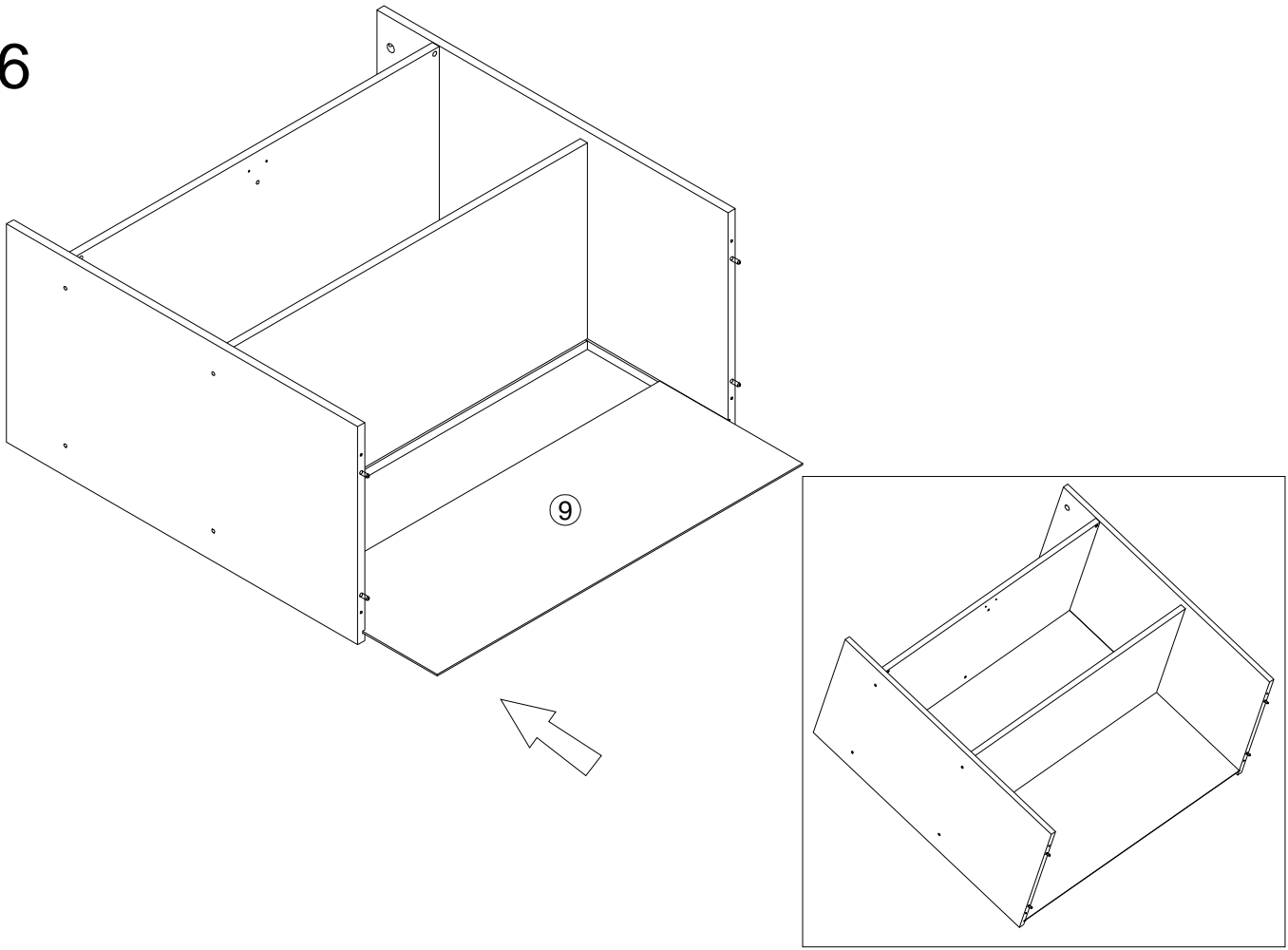
4



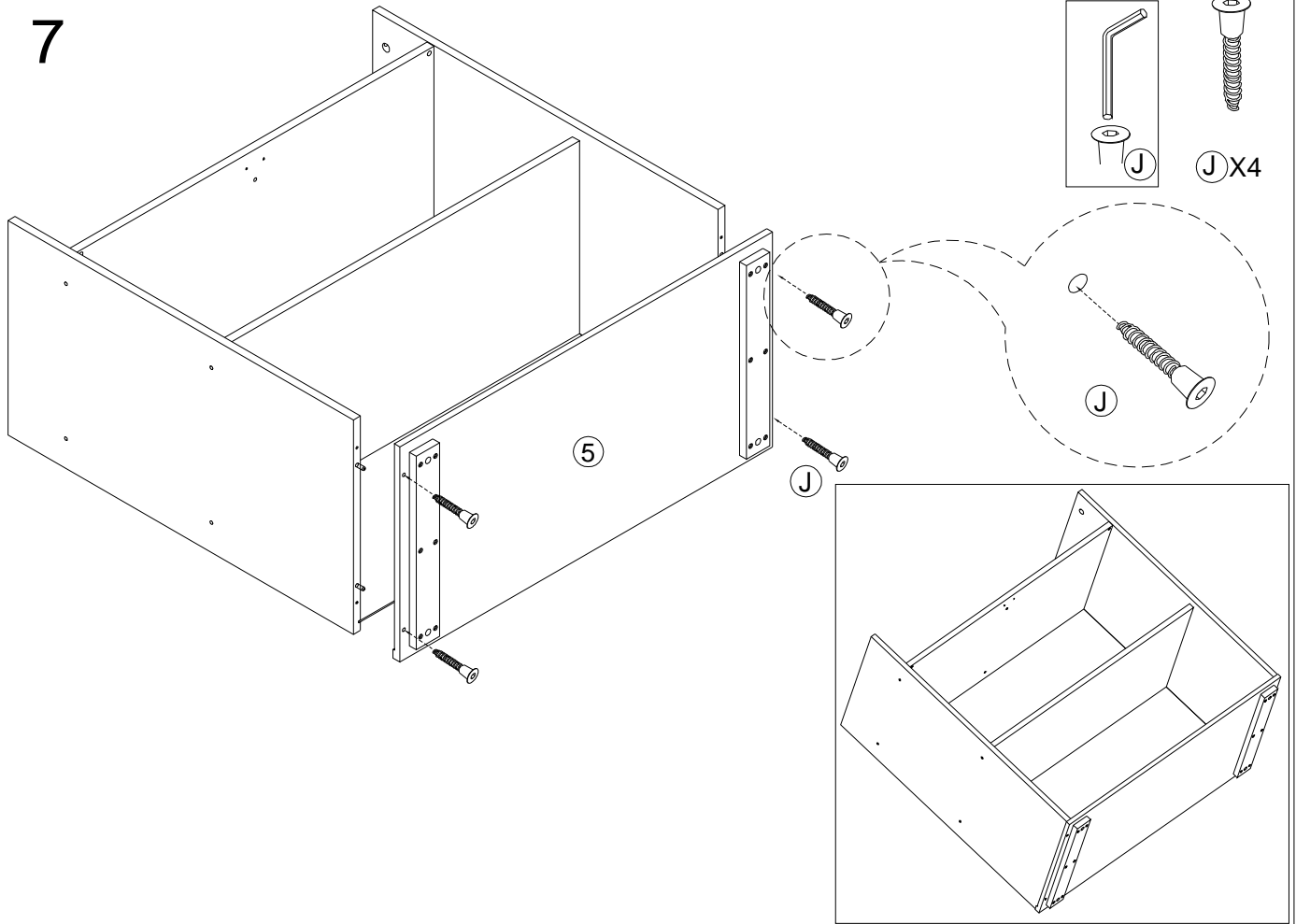
5



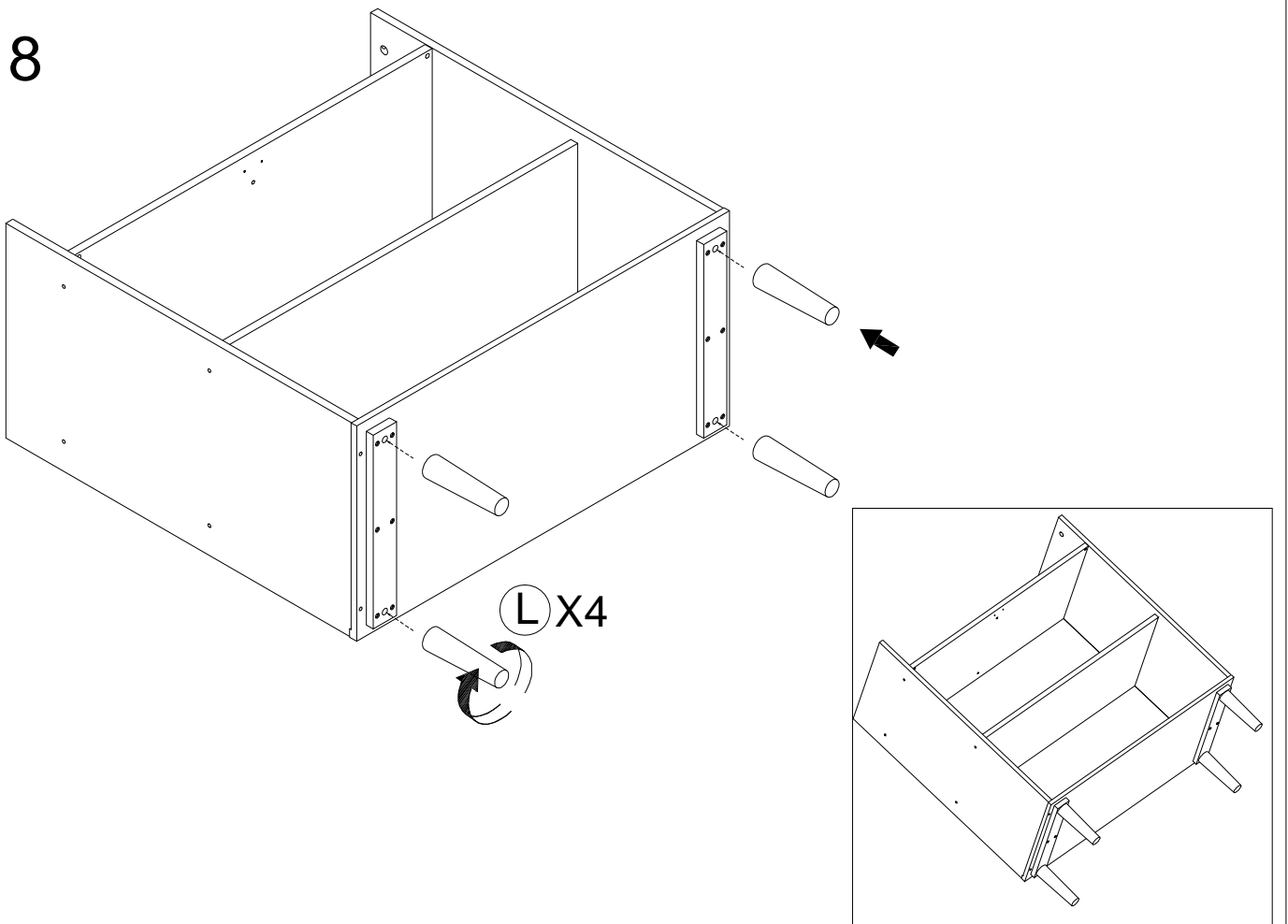
6



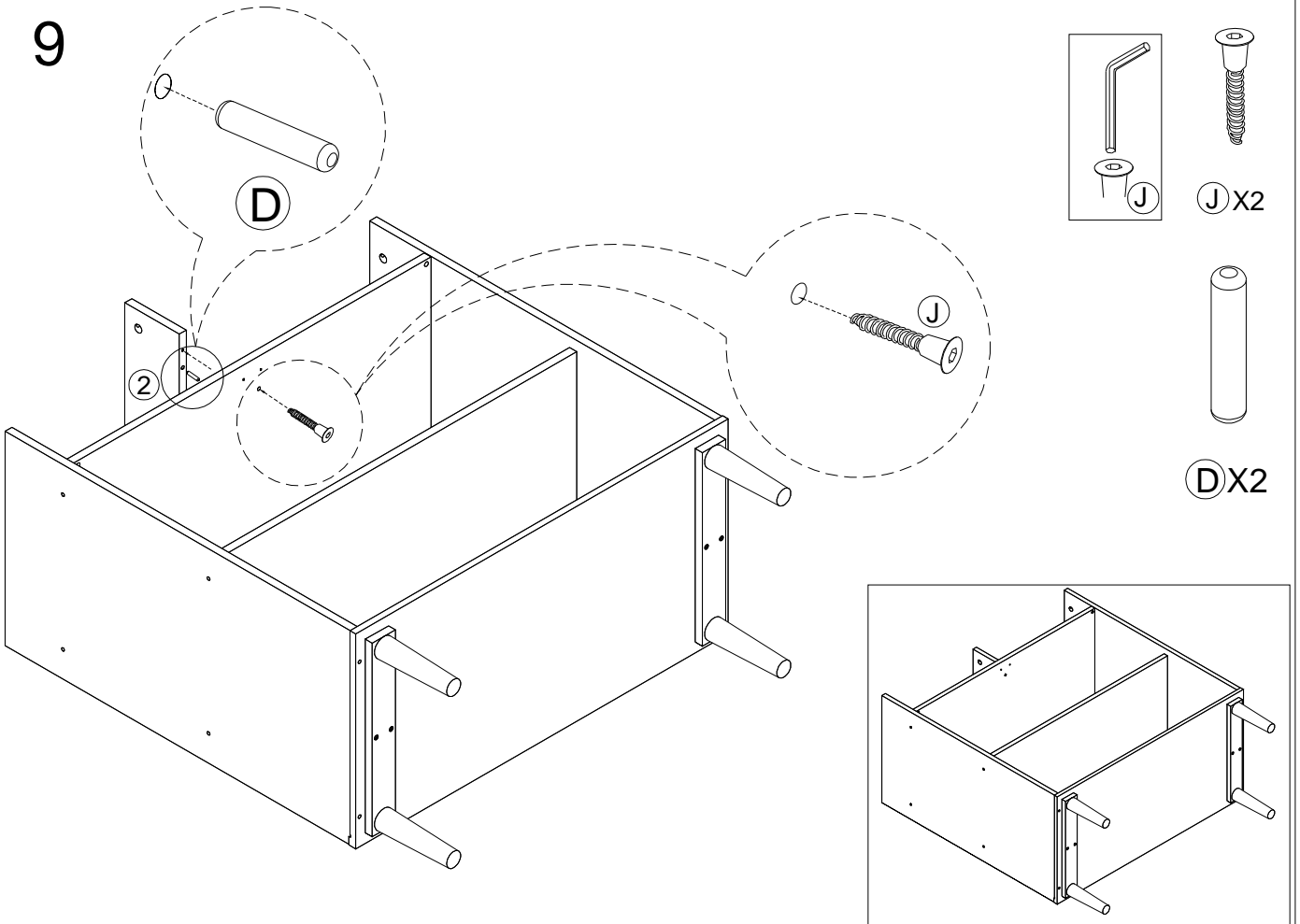
7



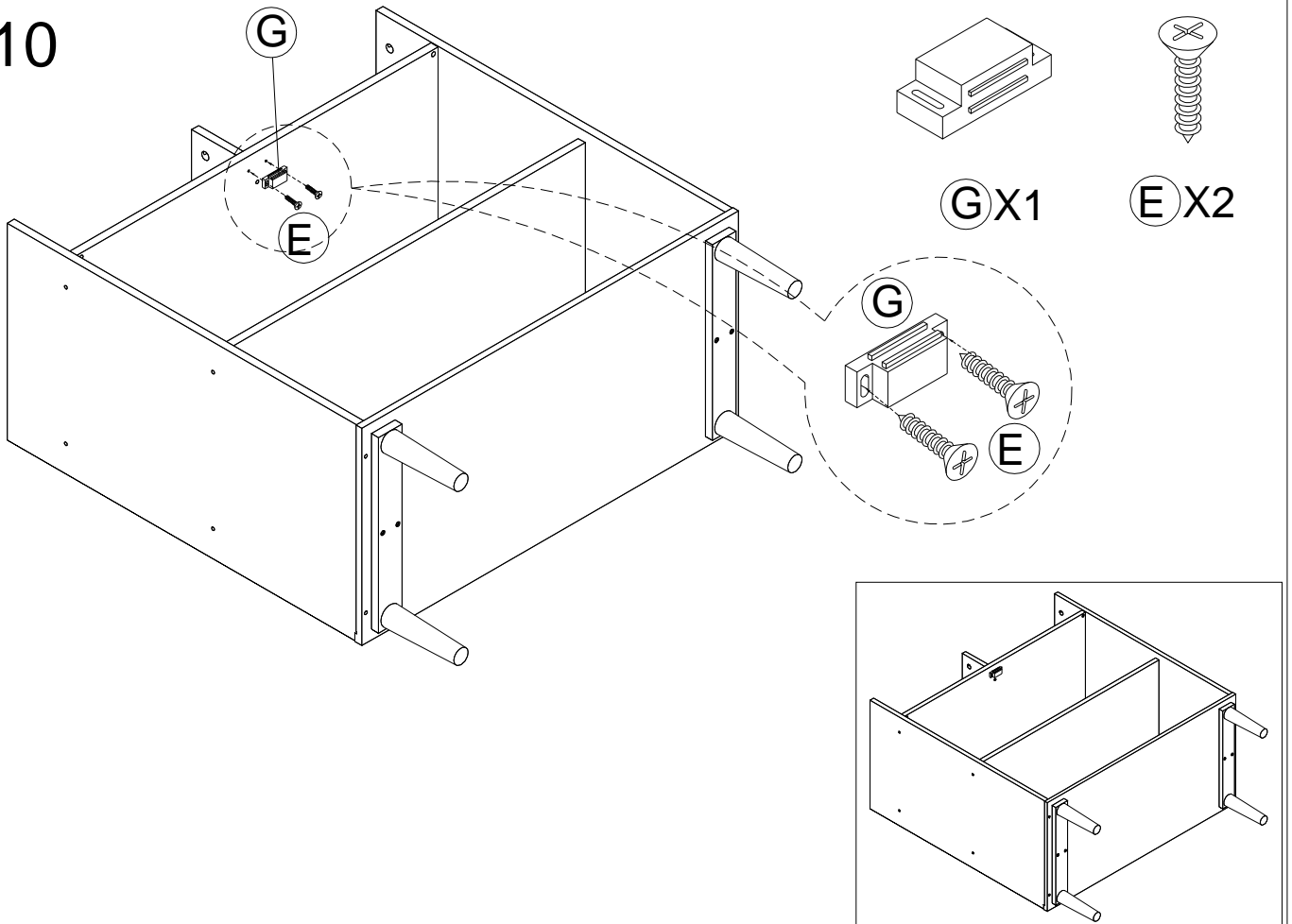
8



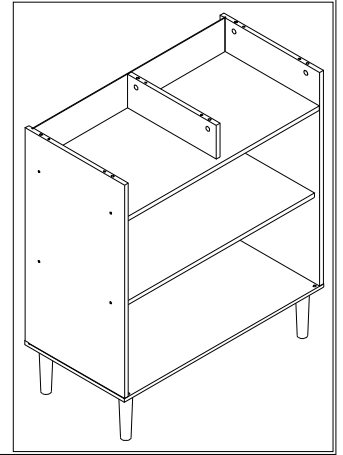
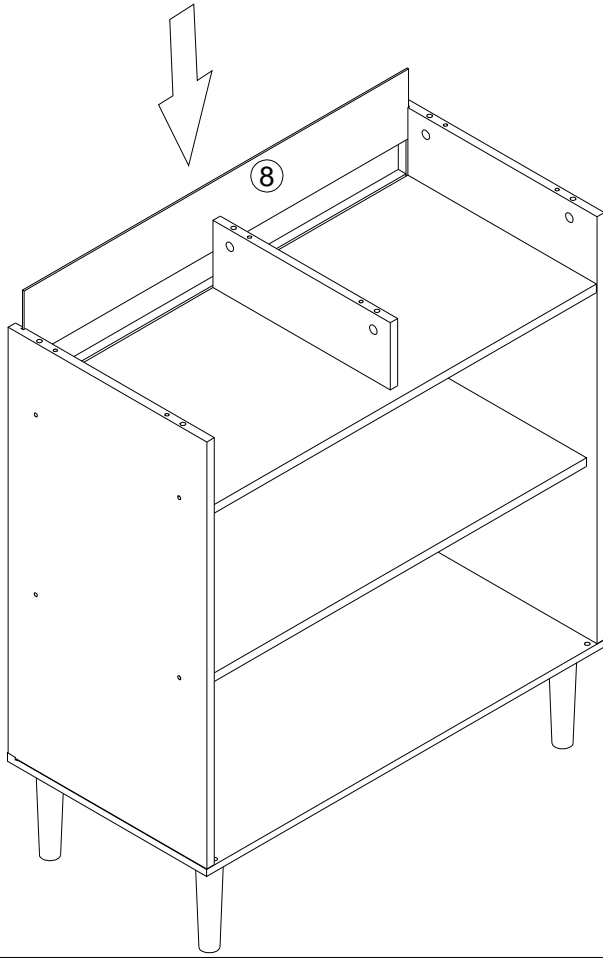
9



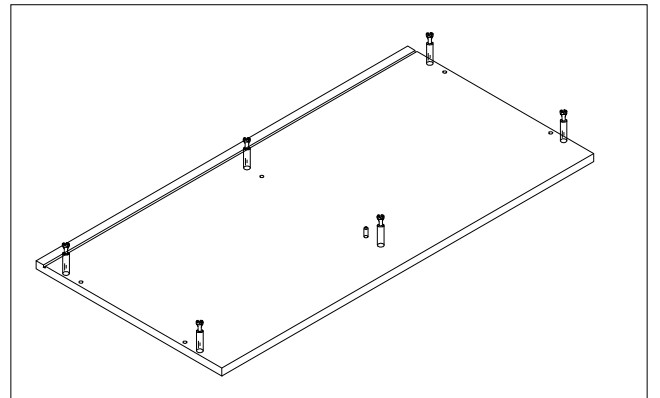
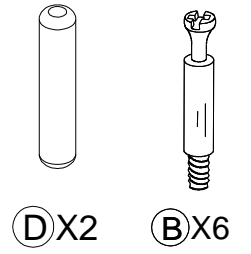
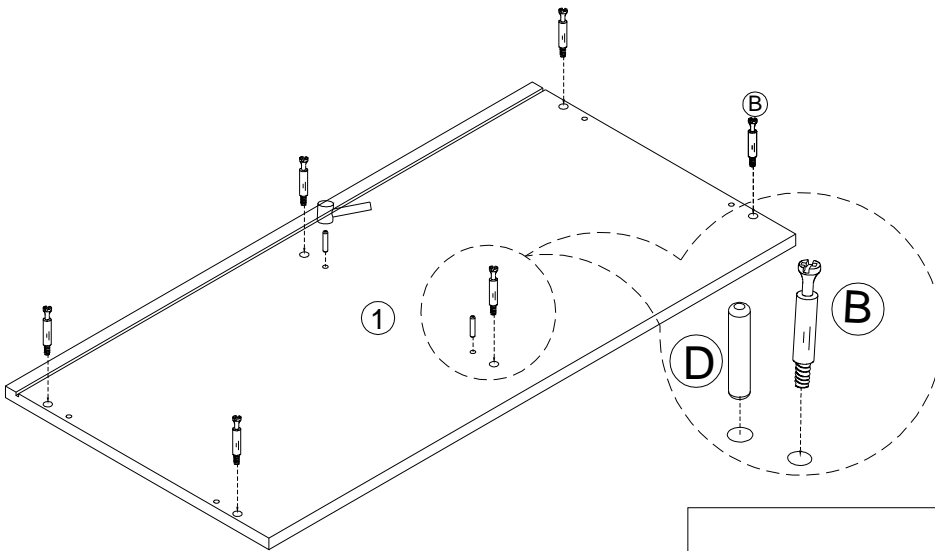
10



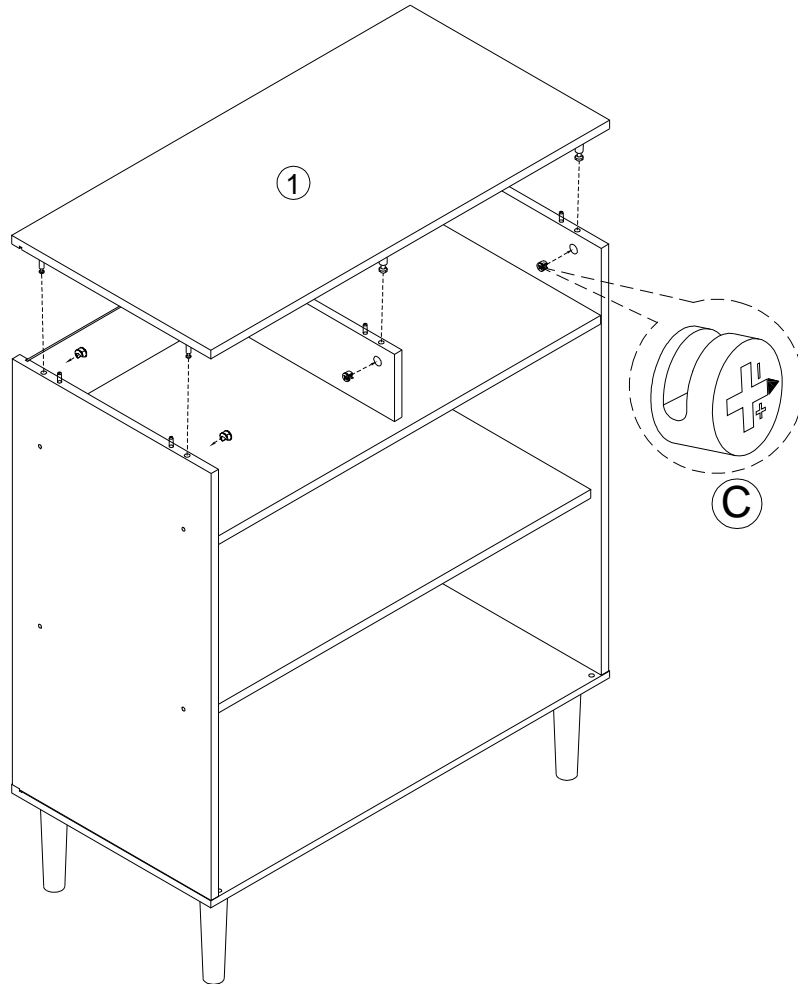
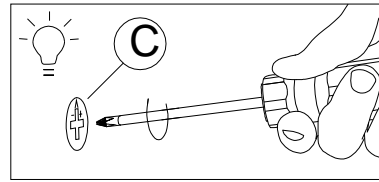
11



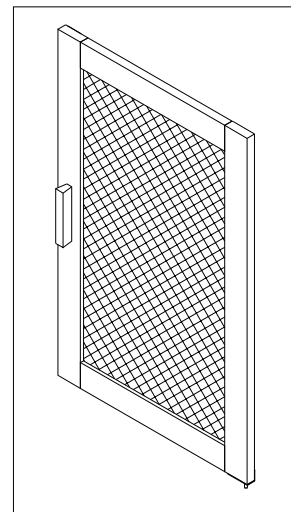
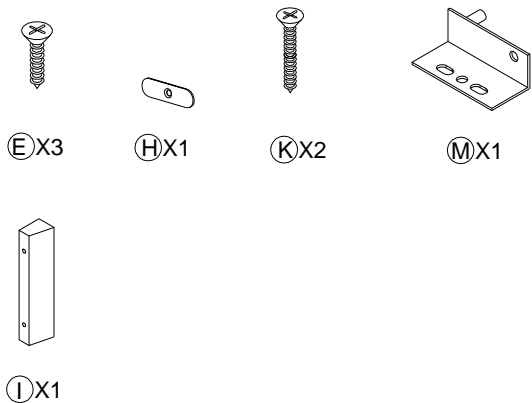
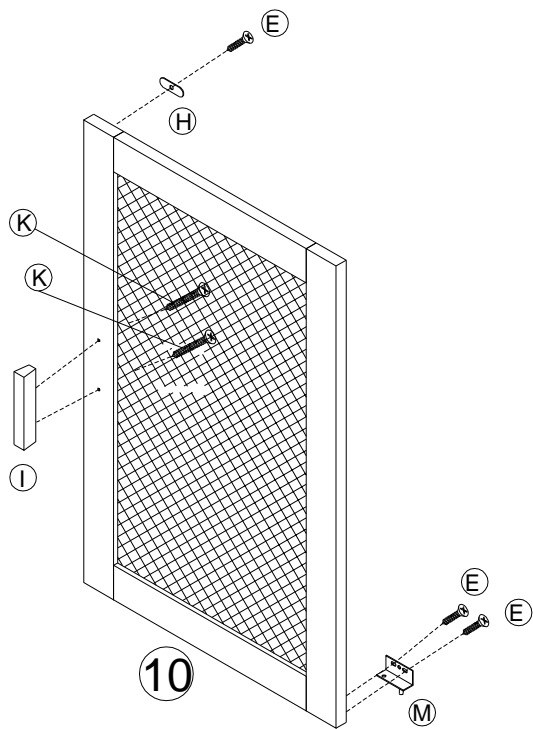
12



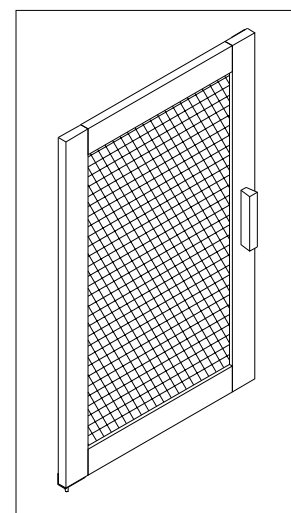
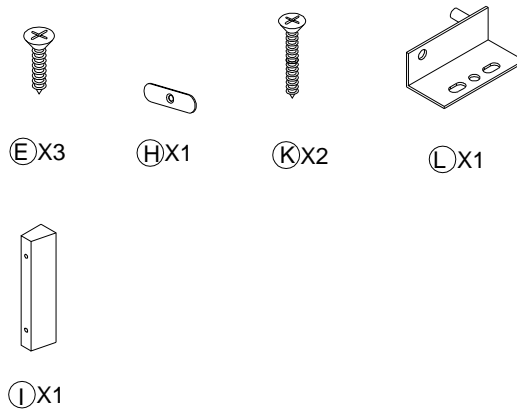
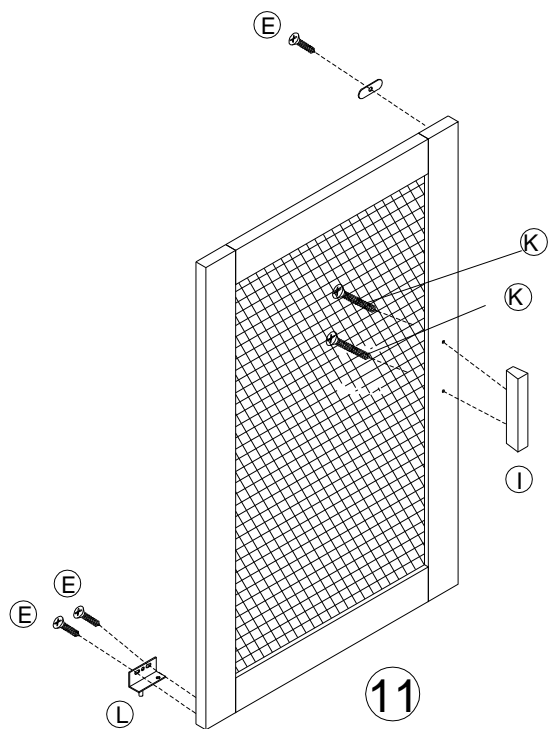
13



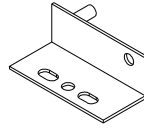
14



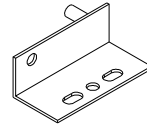
15



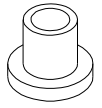
16



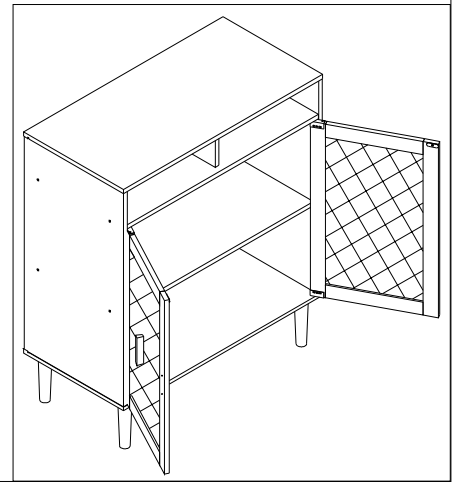
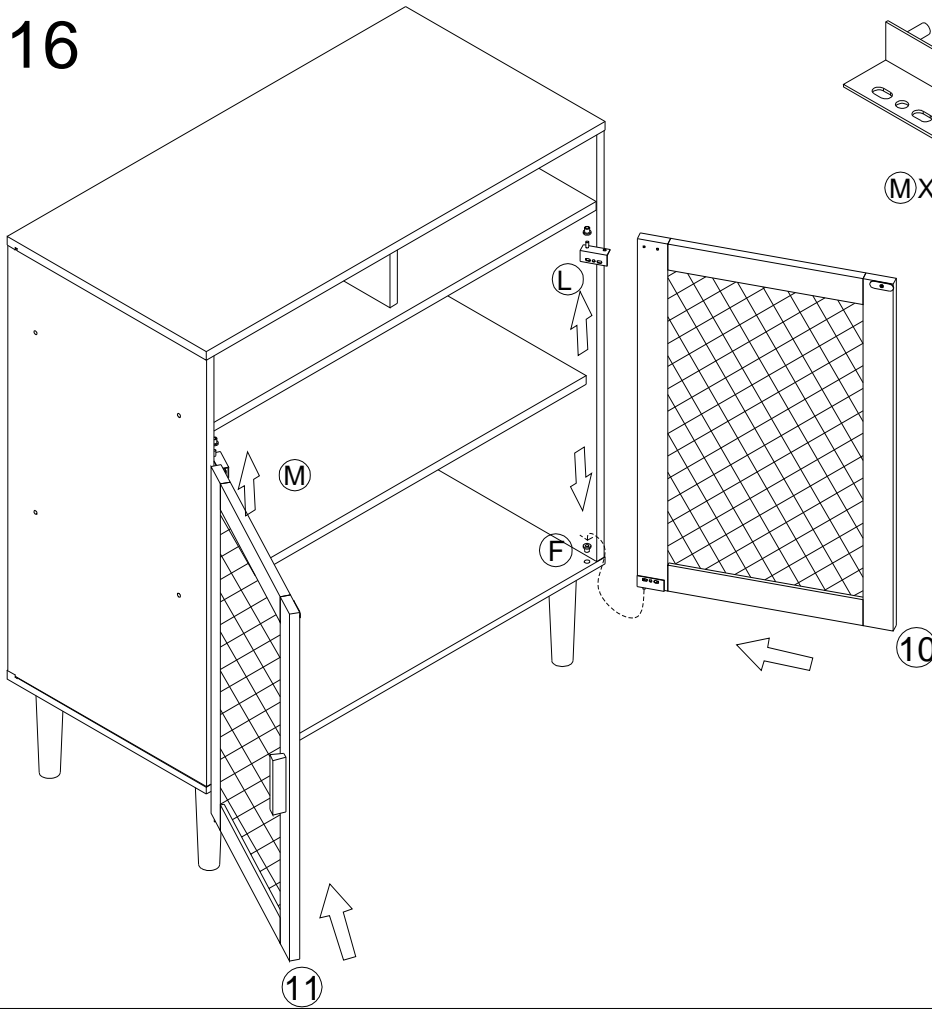
M X1



L X1



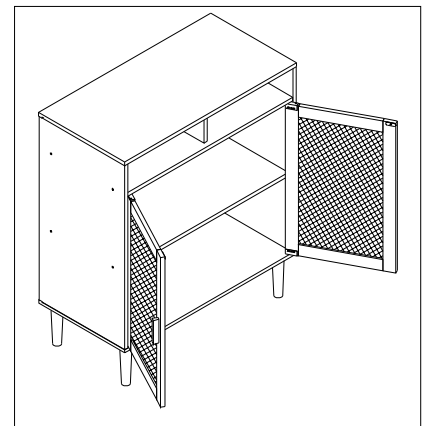
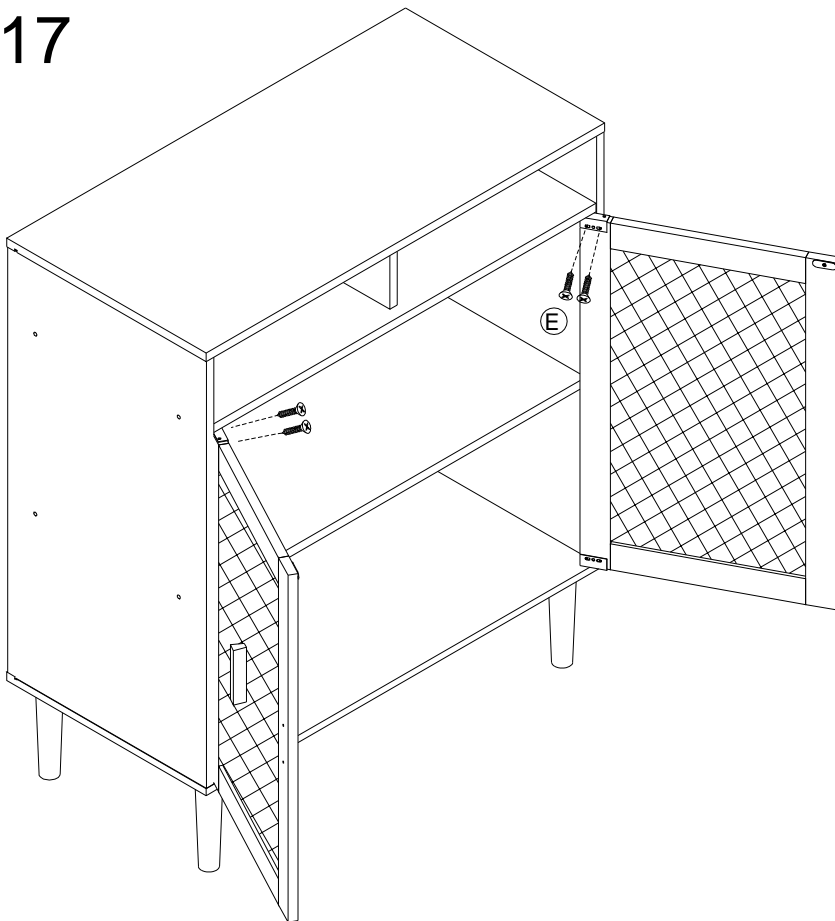
F X4

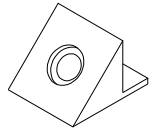
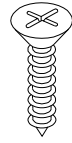


17



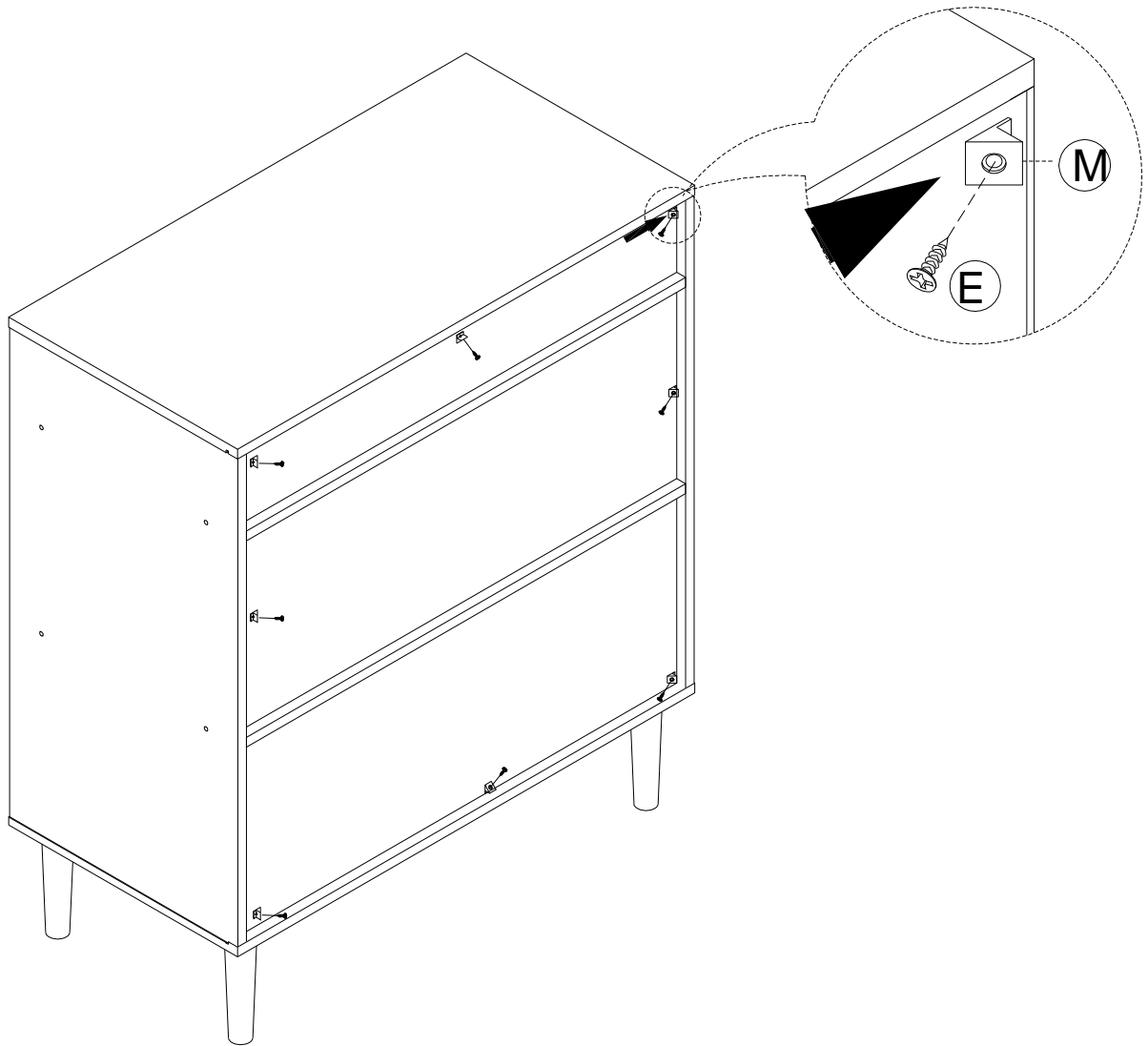
E X4



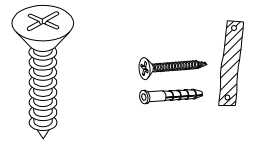


ⓔ X8

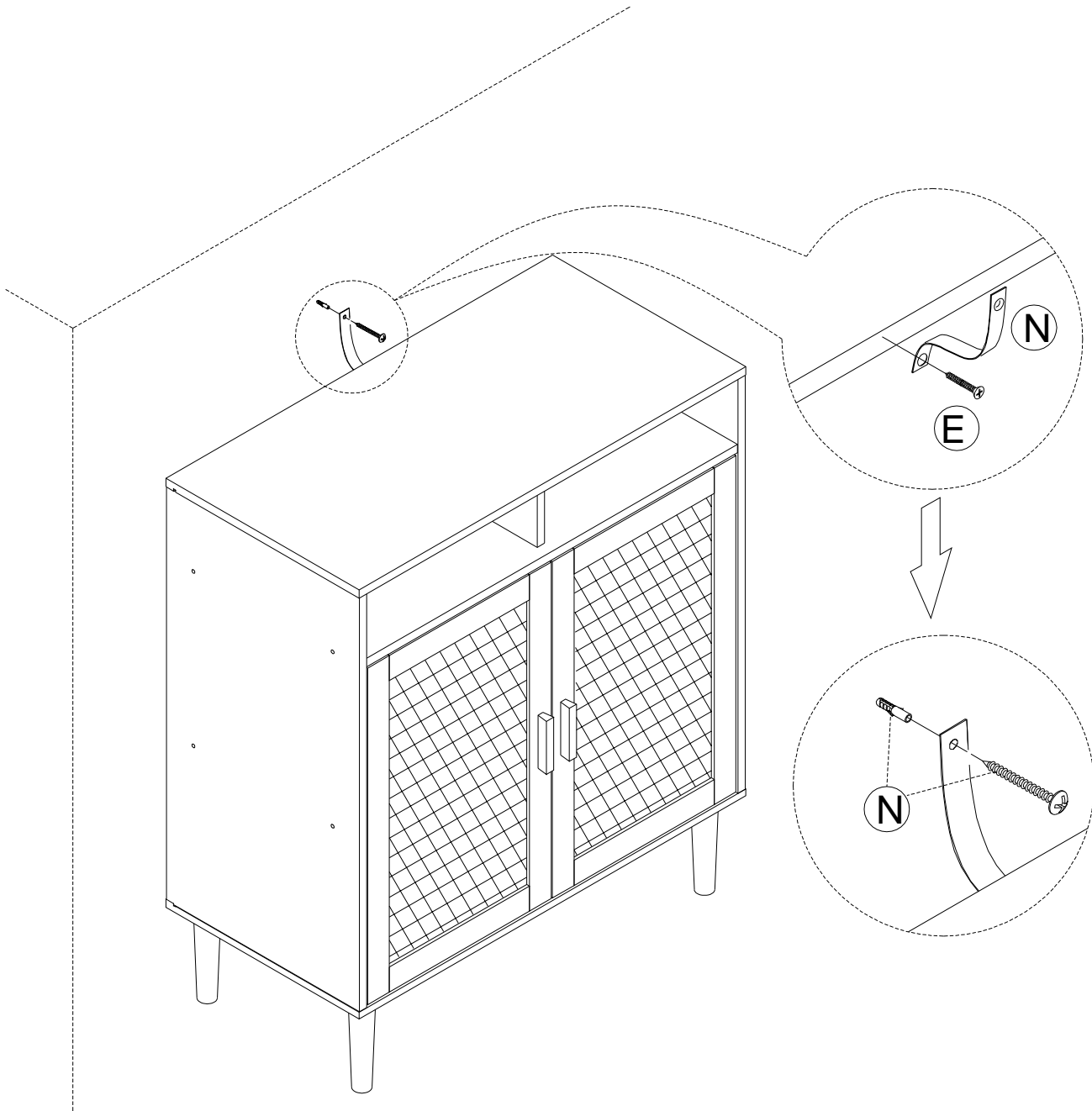
Ⓜ X8



19



(E) X1 (N) X1



IMPORTANT SAFETY INFORMATION

Please carefully read the instructions and caution warnings below before assembling the product. Following this guide will ensure that you install, use and maintain the product properly.

- Please keep this installation and user manual/instructions for future reference in case you need to assemble the product.
- Do not assemble if you notice serious damage such as cracks or bends.
- During installation, please use work gloves for hand safety.
- Please assemble the unit on carpeted floor or the flat cardboard box to avoid scratching the surface or your floor while assembling on the floor.
- To assemble, please use the complimentary installation tools (Allen Wrench). Pay more attention to the direction of components at each steps.
- It is recommended that two people work together to assemble the product.
- Please do not tighten the screws up too much, just to 80% before you finish to make the installation go on successfully.

HOW TO MAINTAIN YOUR PRODUCT:

- Check the screws of the product are not loose from regular use.
- Do not use sharp instruments, rubbing alcohol, corrosive chemicals, or abrasive cleaners to clean the product.
- Do not keep the product in a damp environment for a long period of time. The damp environment may cause the iron components to rust and the plates to bulge and crack.