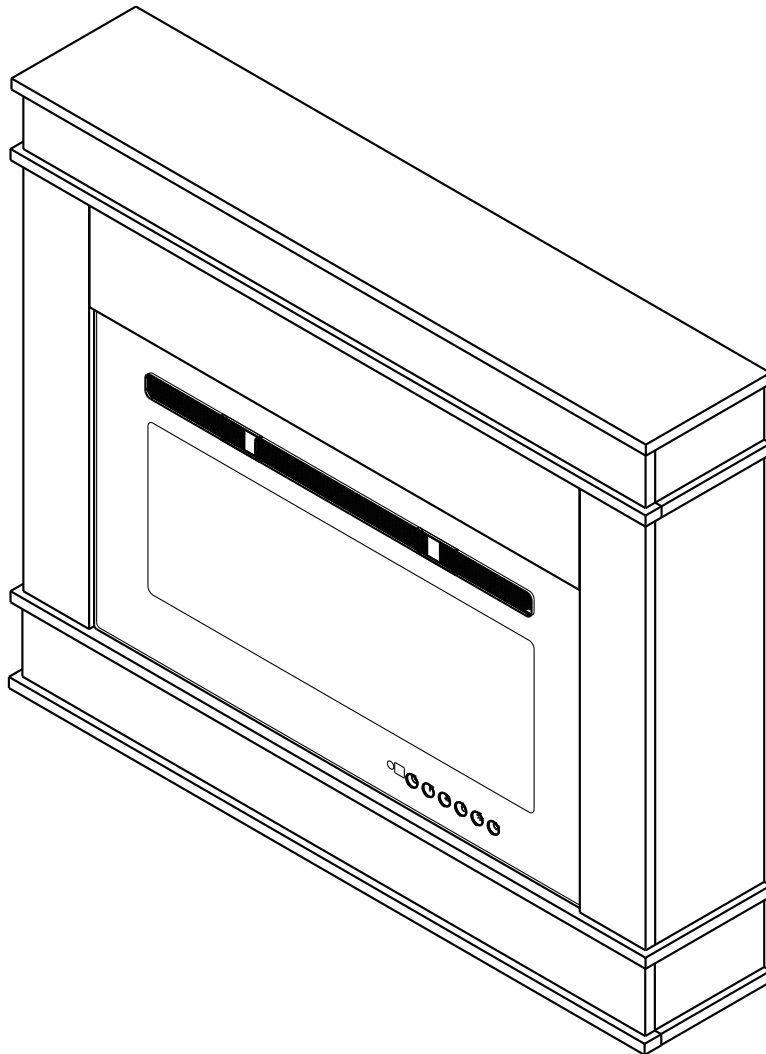


# INSTRUCTION MANUAL

---

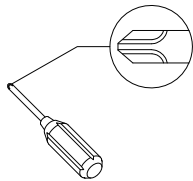


**DO NOT RETURN!**

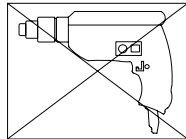
Please contact our customer service team for help first.

## General Assembly Guidelines

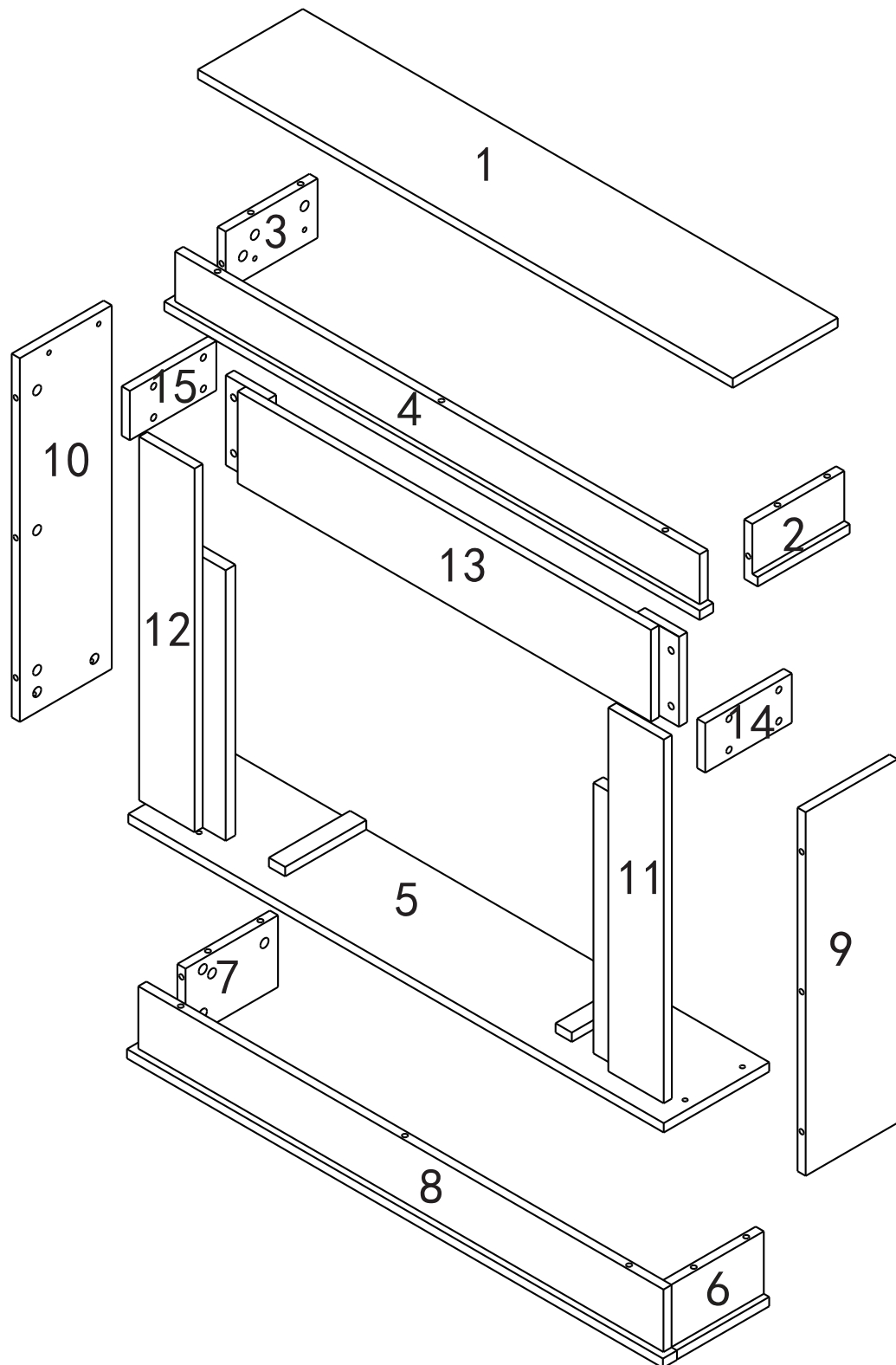
- I. Ensure that all parts and hardware are available before beginning assembly.
- II. Follow each step carefully to ensure the proper assembly of this product.
- III. Two people are recommended for ease in the assembly of this product.
- IV. The four main types of hardware used to assemble this product are: wood dowels, cam bolts and locks, bolts and screws.
- VI. A Phillips head screwdriver is required for the assembly of this product.



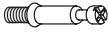



- VII. Power tools should not be used to assemble this product.








# Partes List



## Hardware List

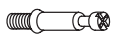
A			Cam lock	33 PCS
B			Cam bolt	33 PCS
C		Ø 4x20mm	Bolt	12 PCS
D				12 PCS

## Wall mounting kit

PART #	IMAGE	DESCRIPTION	QTY.
AA		Mounting bracket	2
AB		Anchor	2
AC		Nylon strap	1
AD		Flat head screw, Ø 4 x 15 mm	2
AE		Flat head screw, Ø 4 x 30 mm	2

*The hardware quantities listed above are required for proper assembly.  
Some extra hardware may also have been included.*

Fig.1

A  7

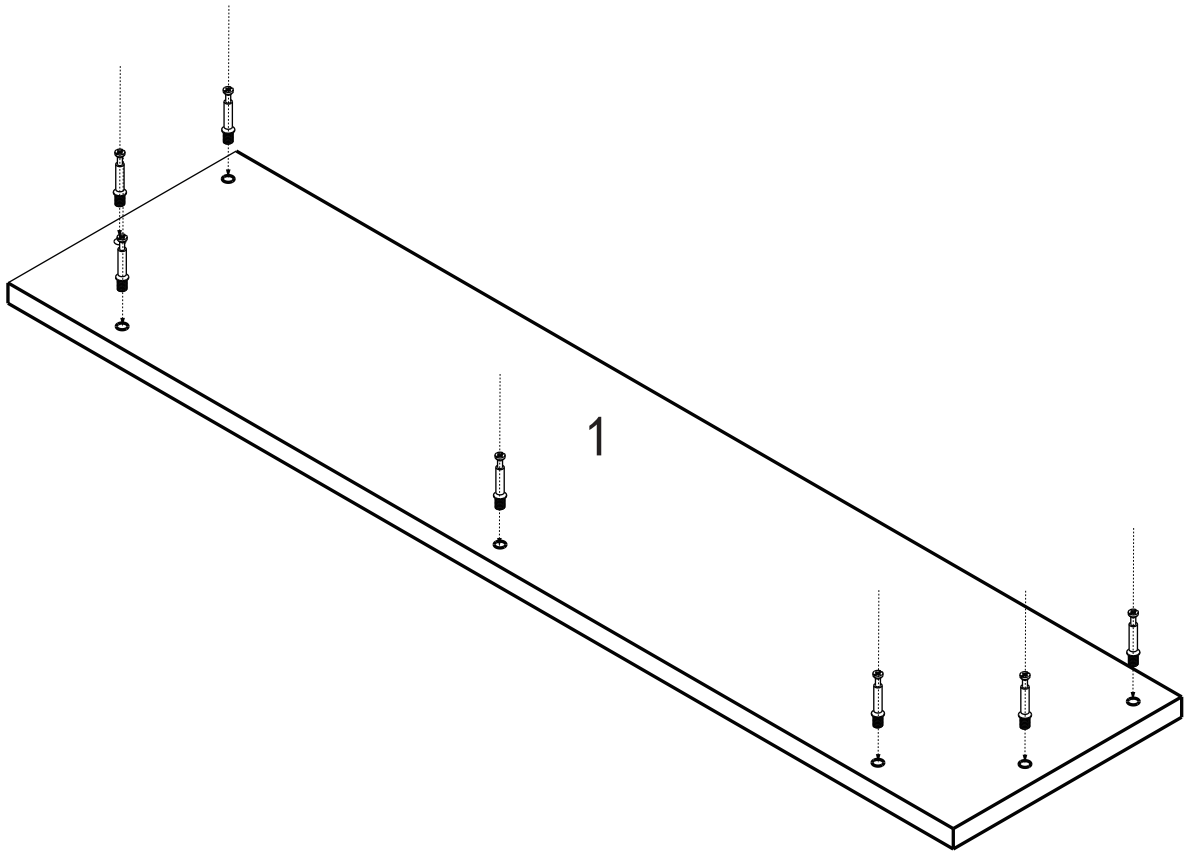
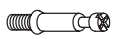


Fig.2

A  2

B  2

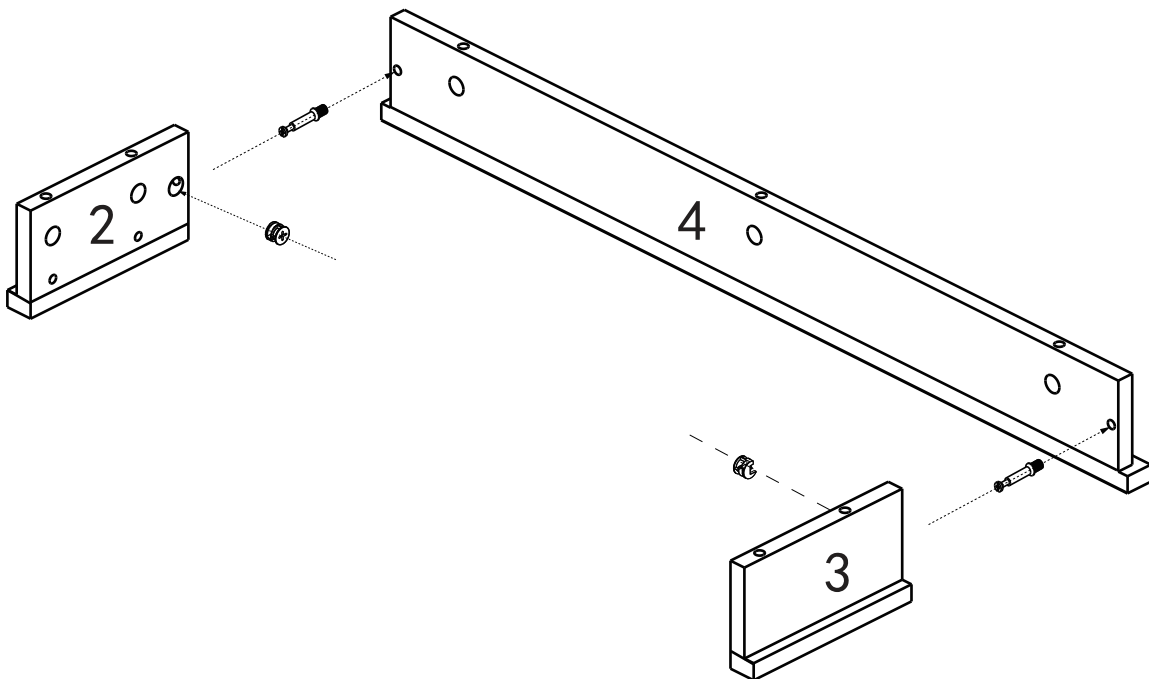


Fig.3

B  7

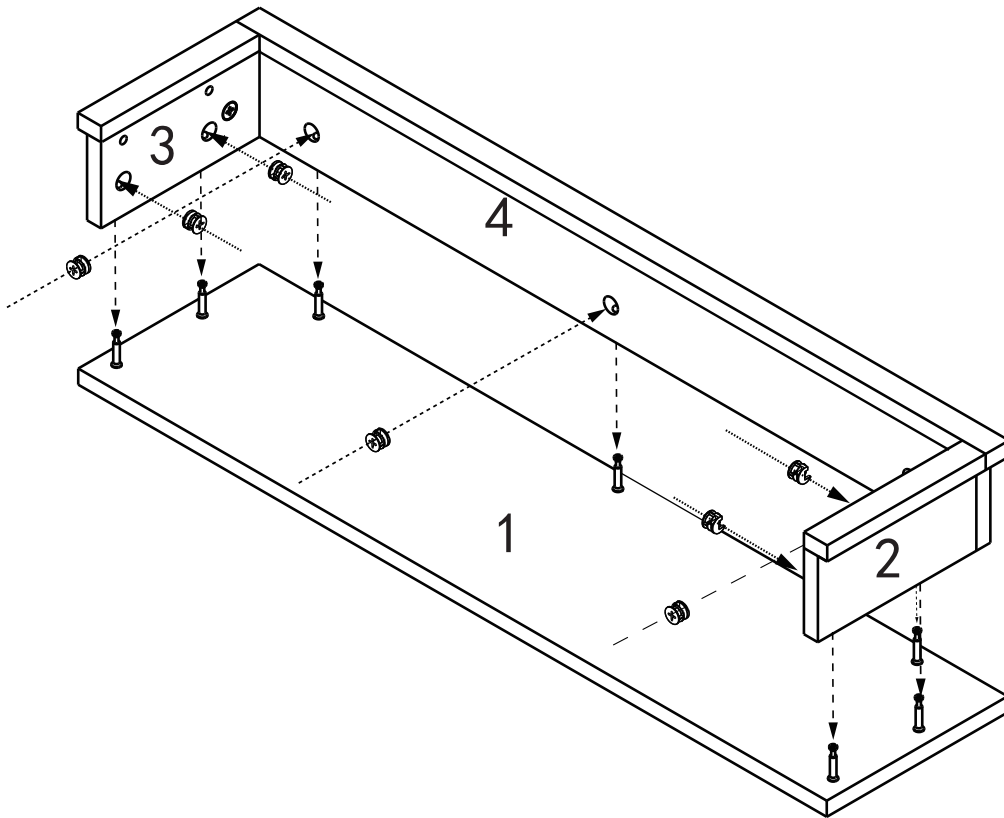


Fig.4

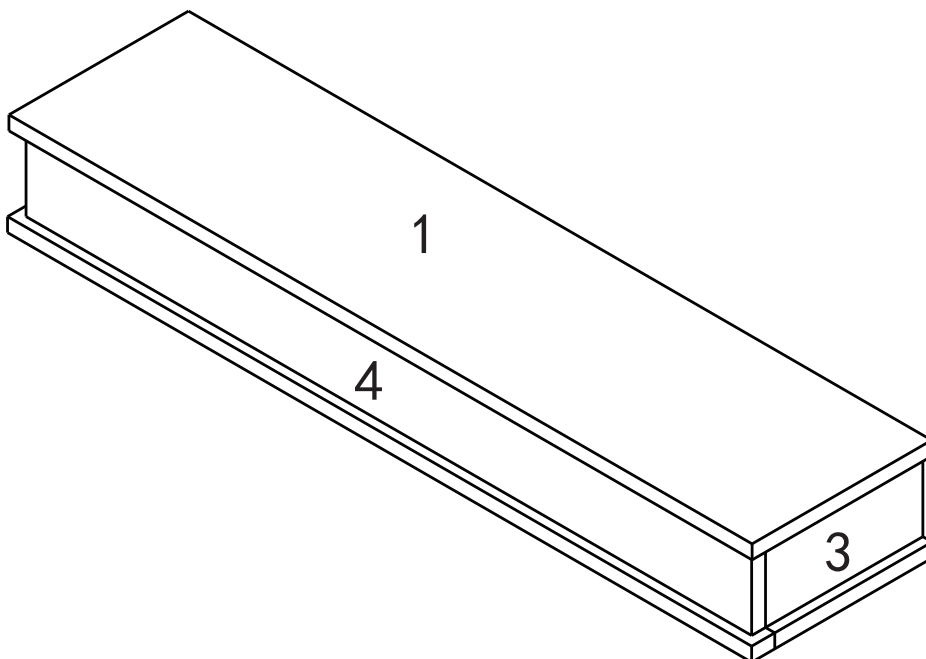

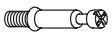


Fig.5

- B  4
- A  4

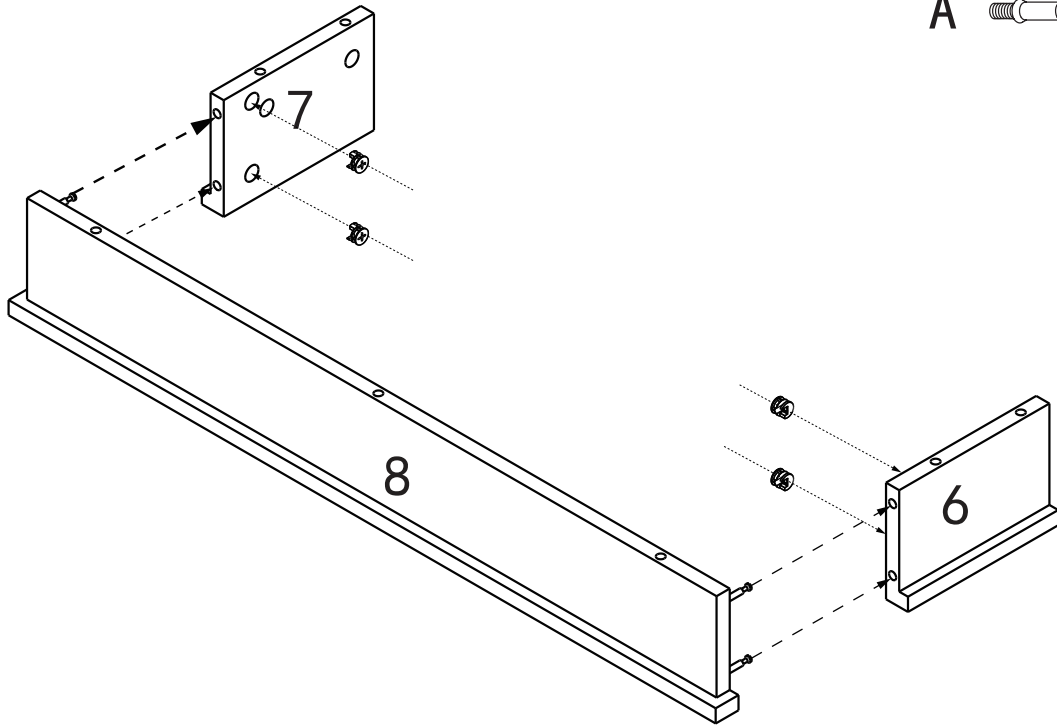
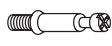


Fig.6

- A  13

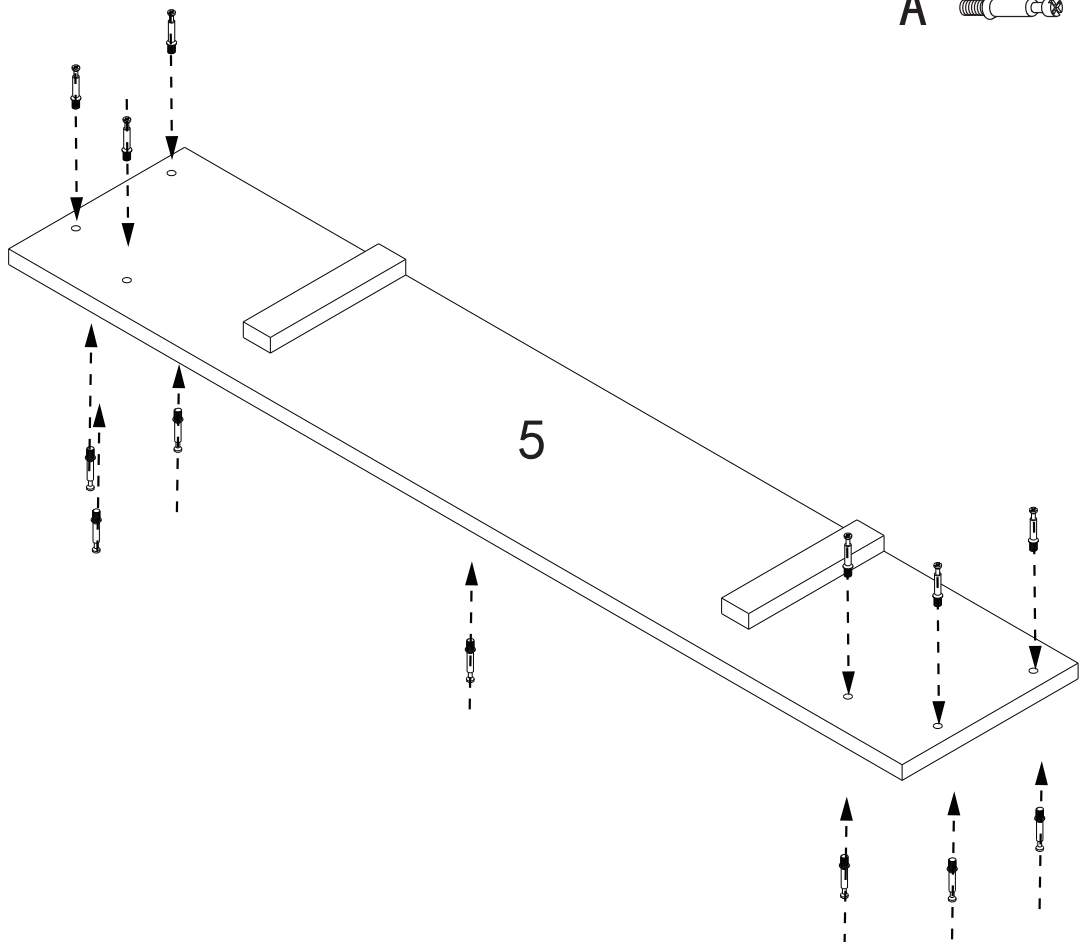


Fig.7

B



6

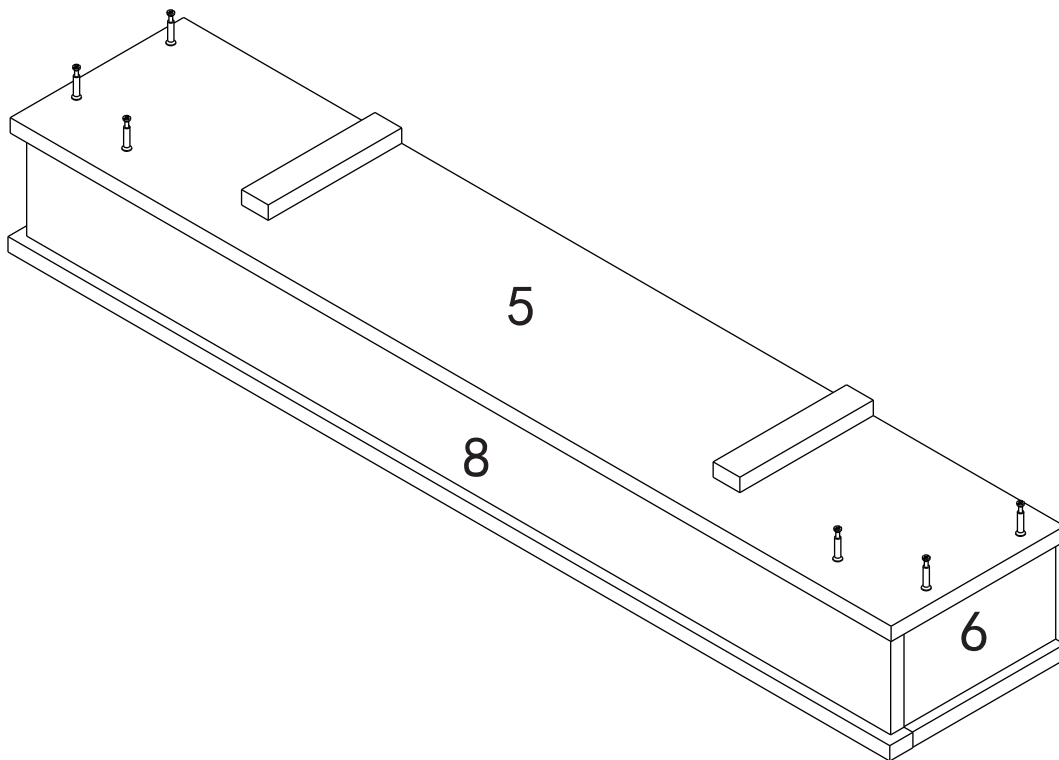
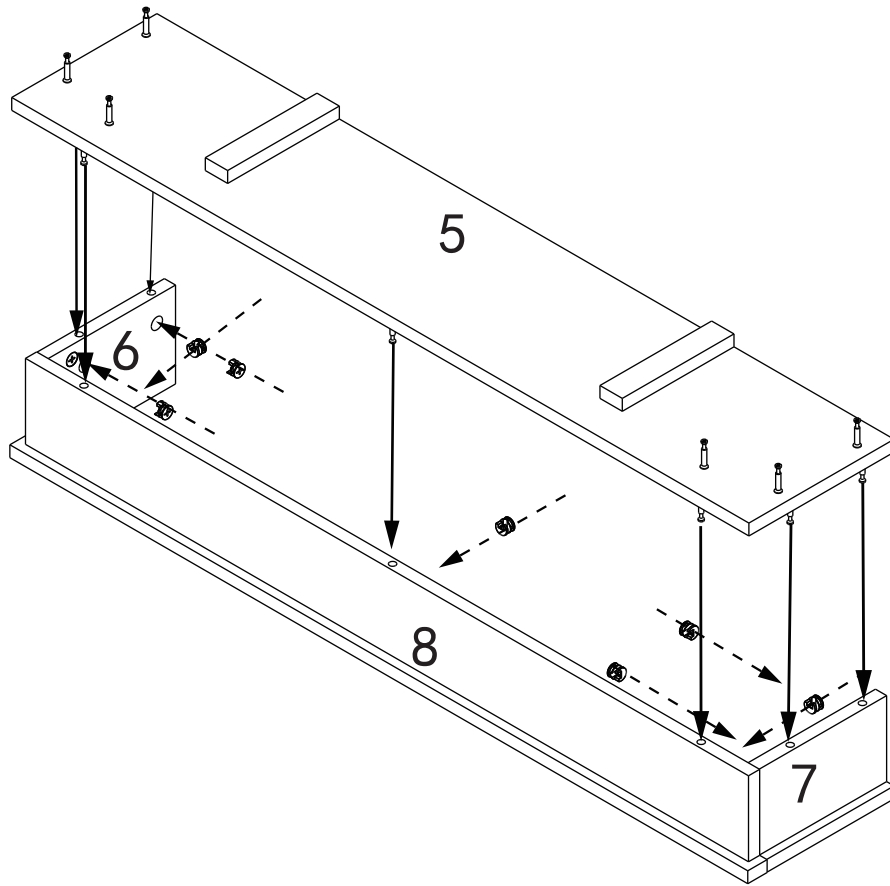
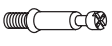

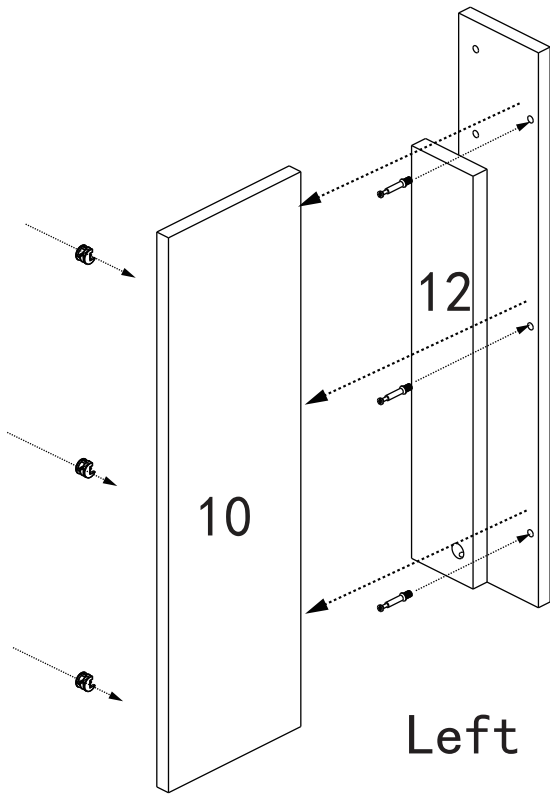


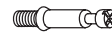

Fig.8

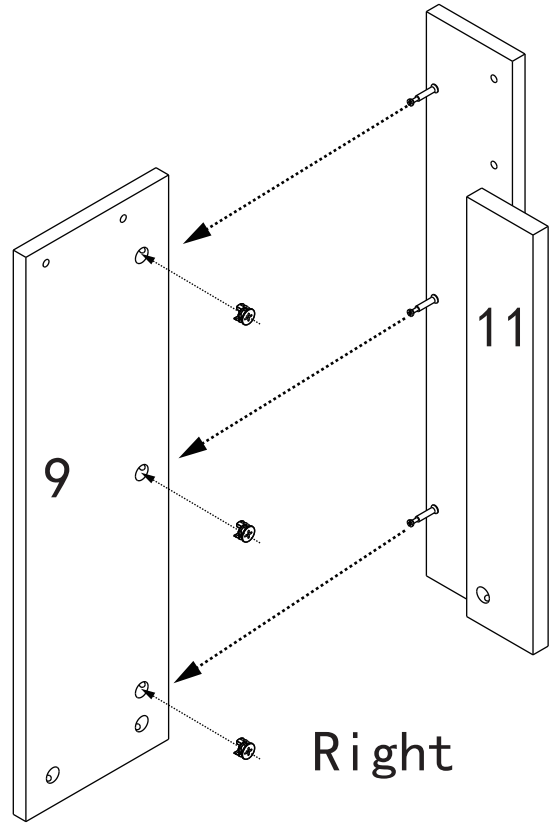
- A  3
- B  3



Left

Fig.9

- A  3
- B  3



Right

Fig.10

- B  6

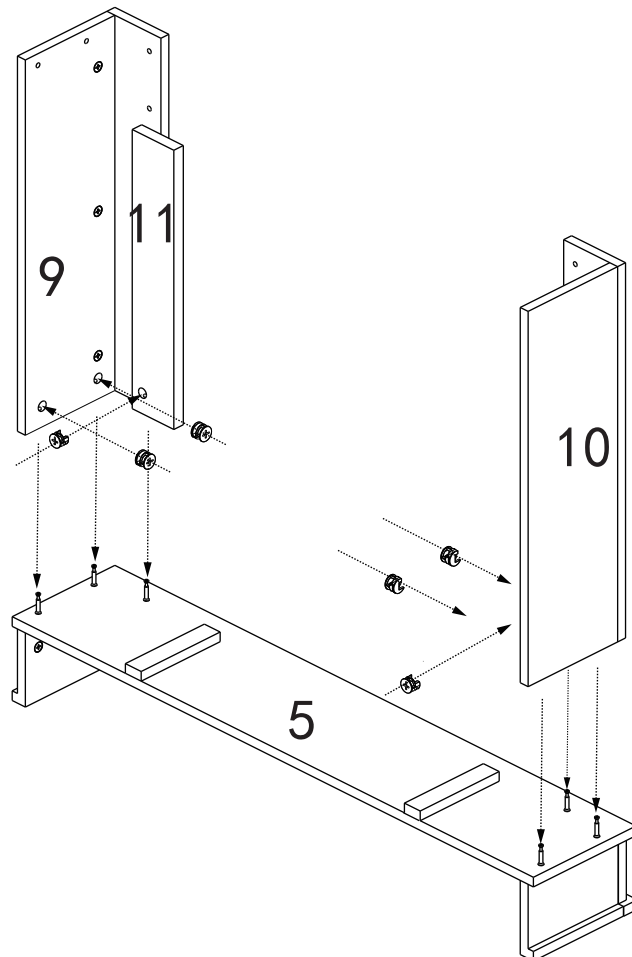
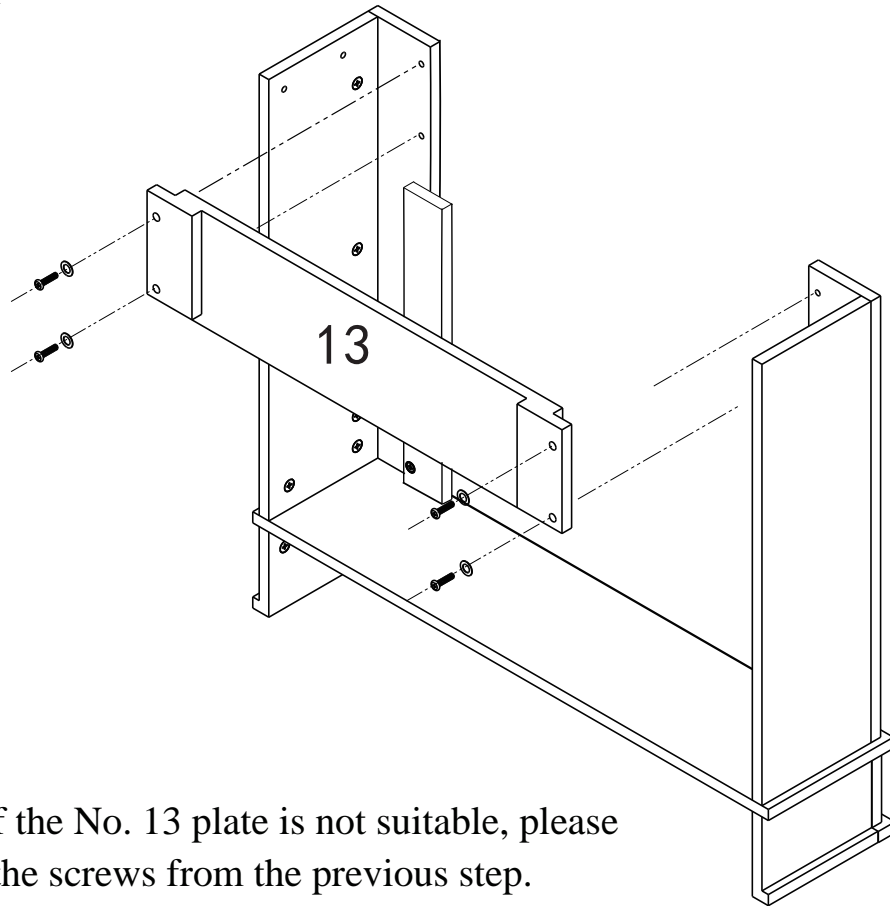
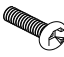



Fig.11



- C  4
- D  4

**Note:** If the No. 13 plate is not suitable, please loosen the screws from the previous step.

Fig.12

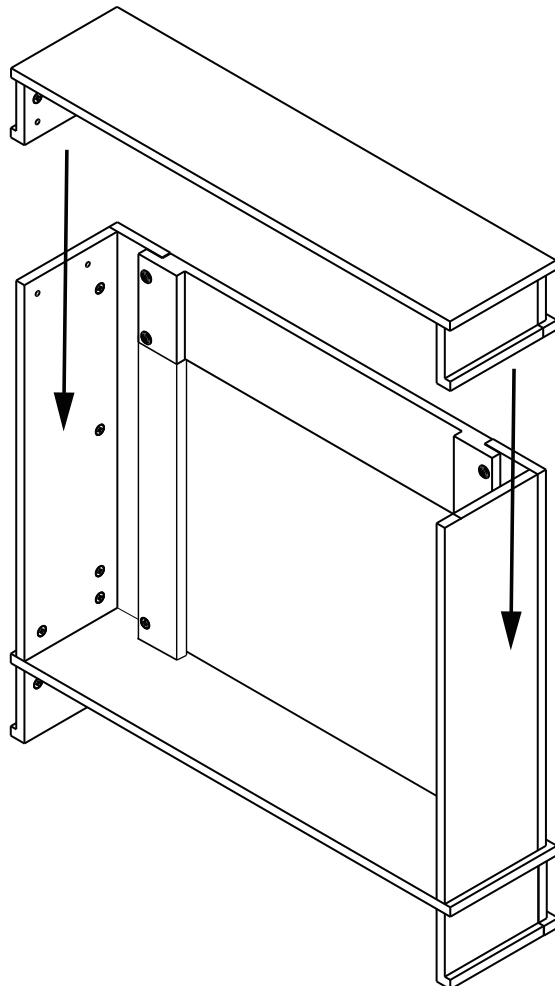
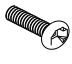



Fig.13

Details A

- C  8
- D  8

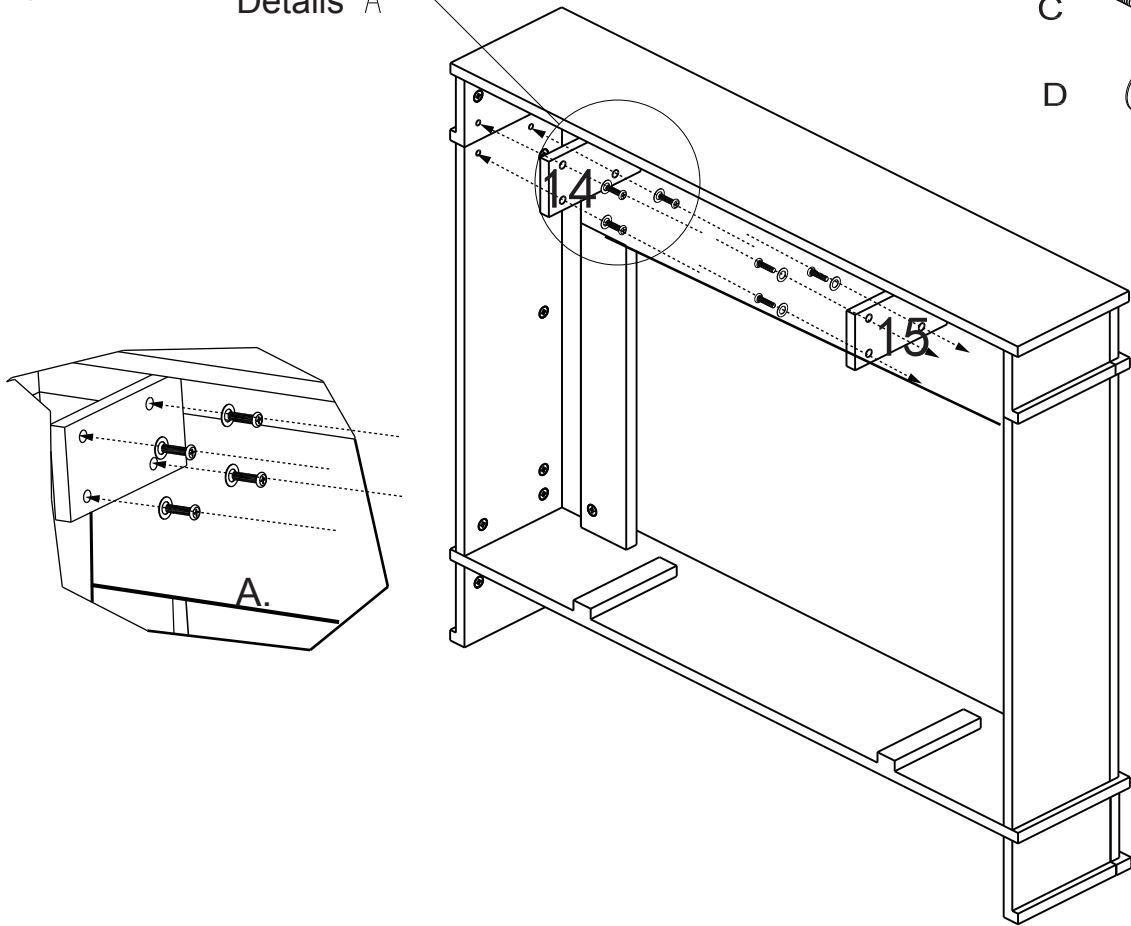


Fig.14

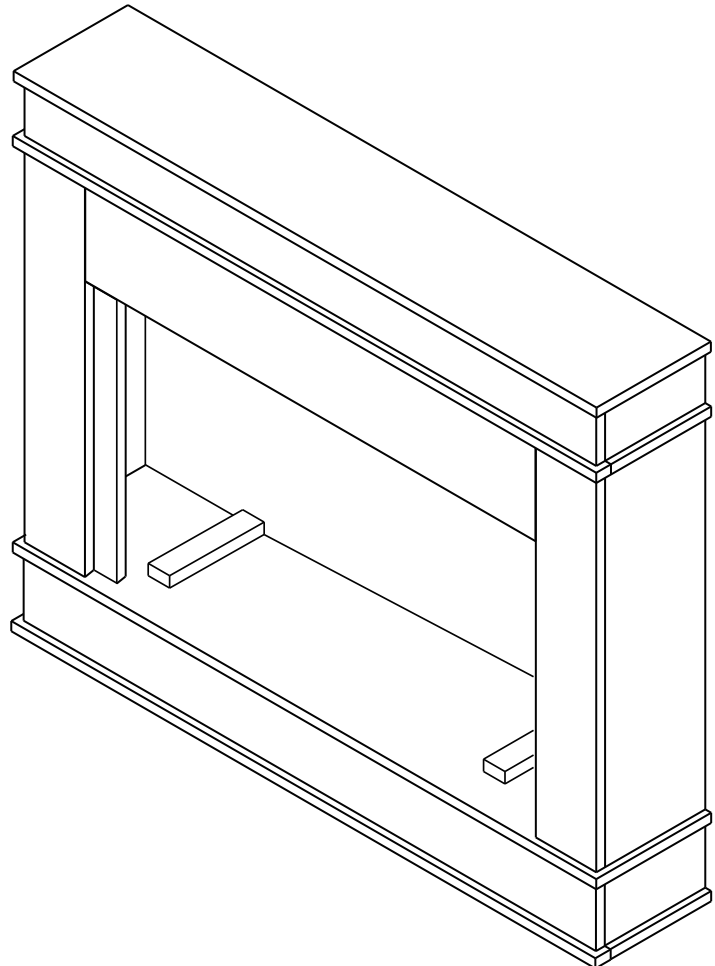
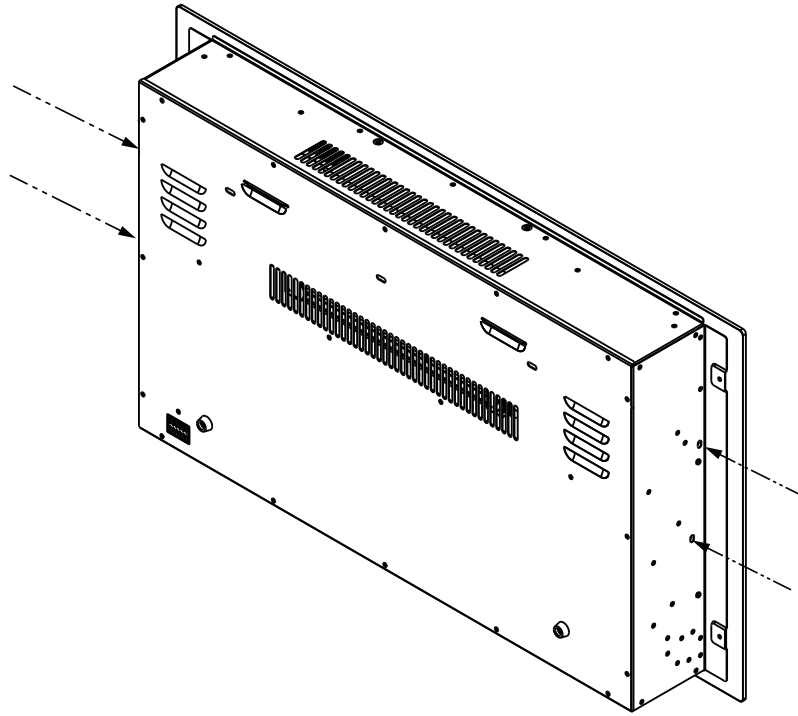


Fig.15



Take off the two screws in both sides of the fireplace

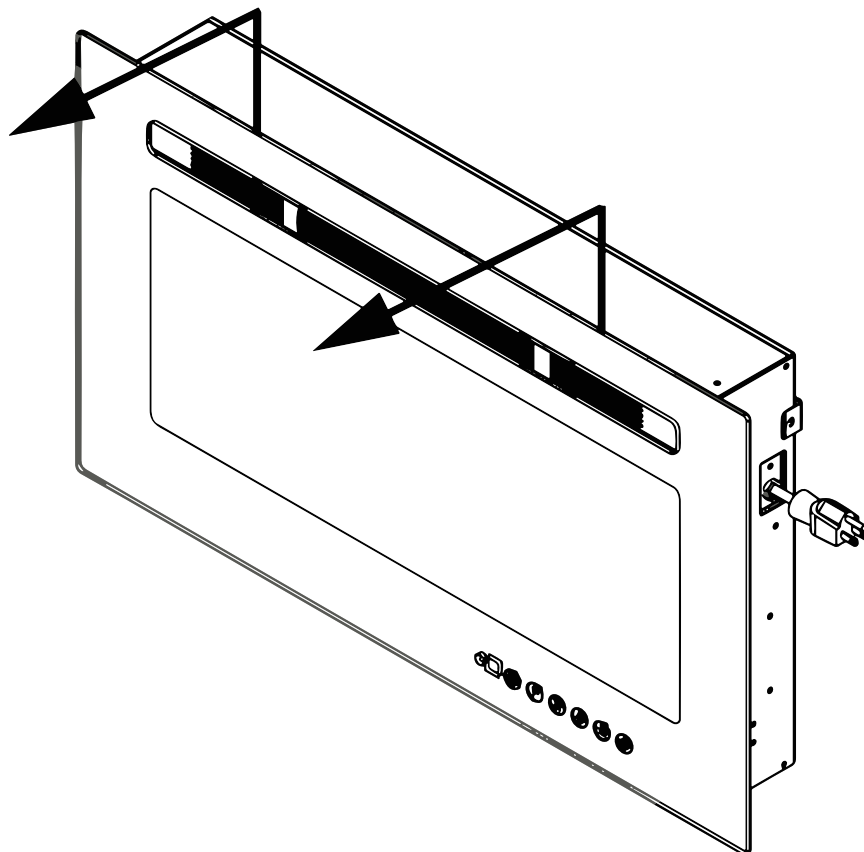


Fig.16

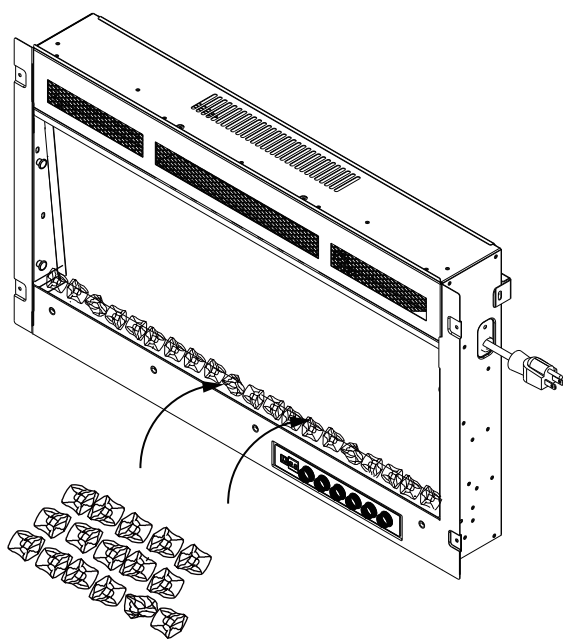
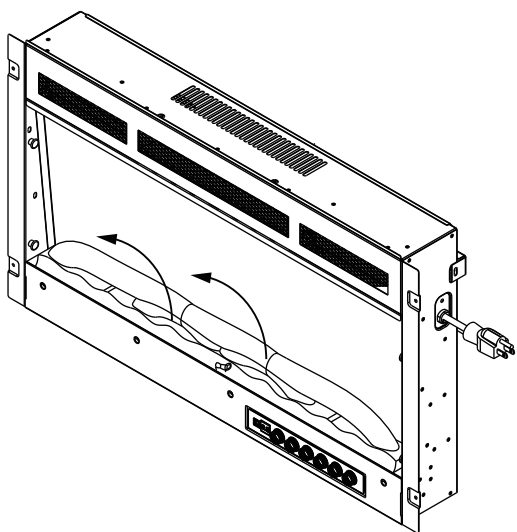
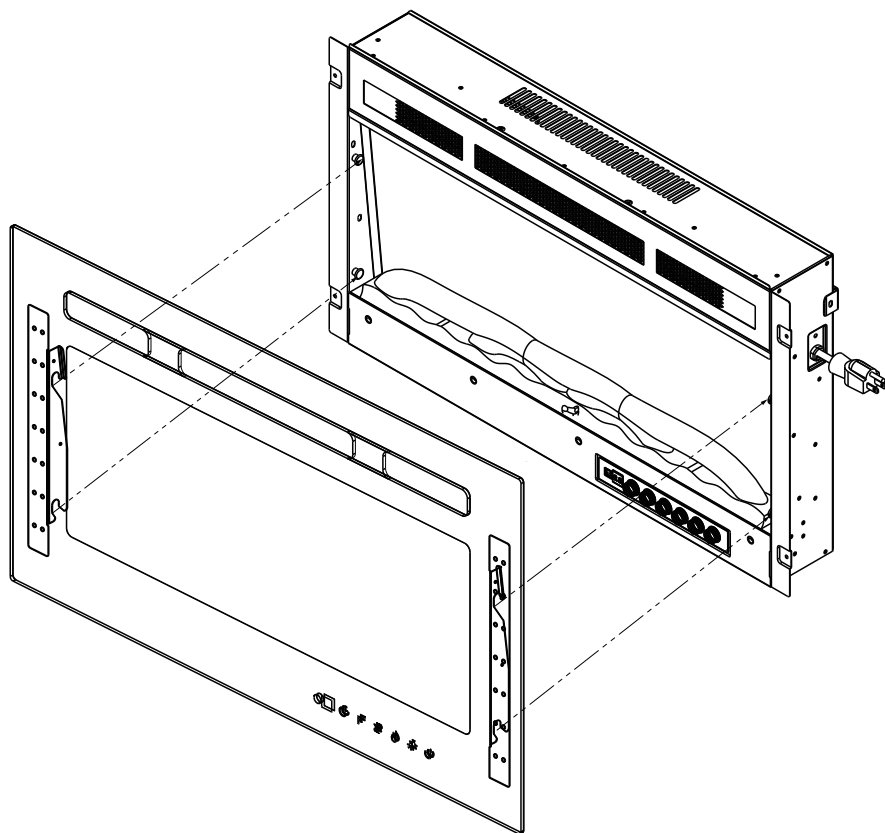
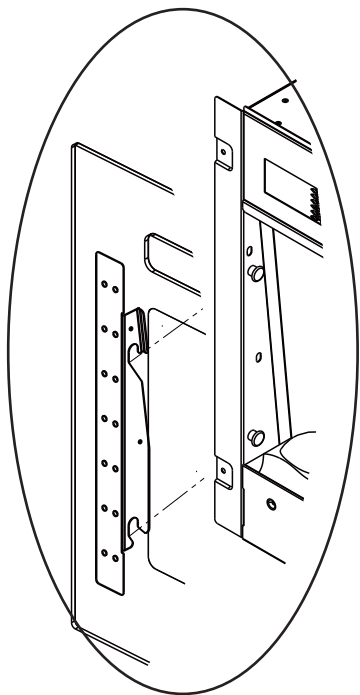


Fig.17

Use the 4 screws  
(provided at  
fireplace package)  
to lock the appliance  
into the mantel

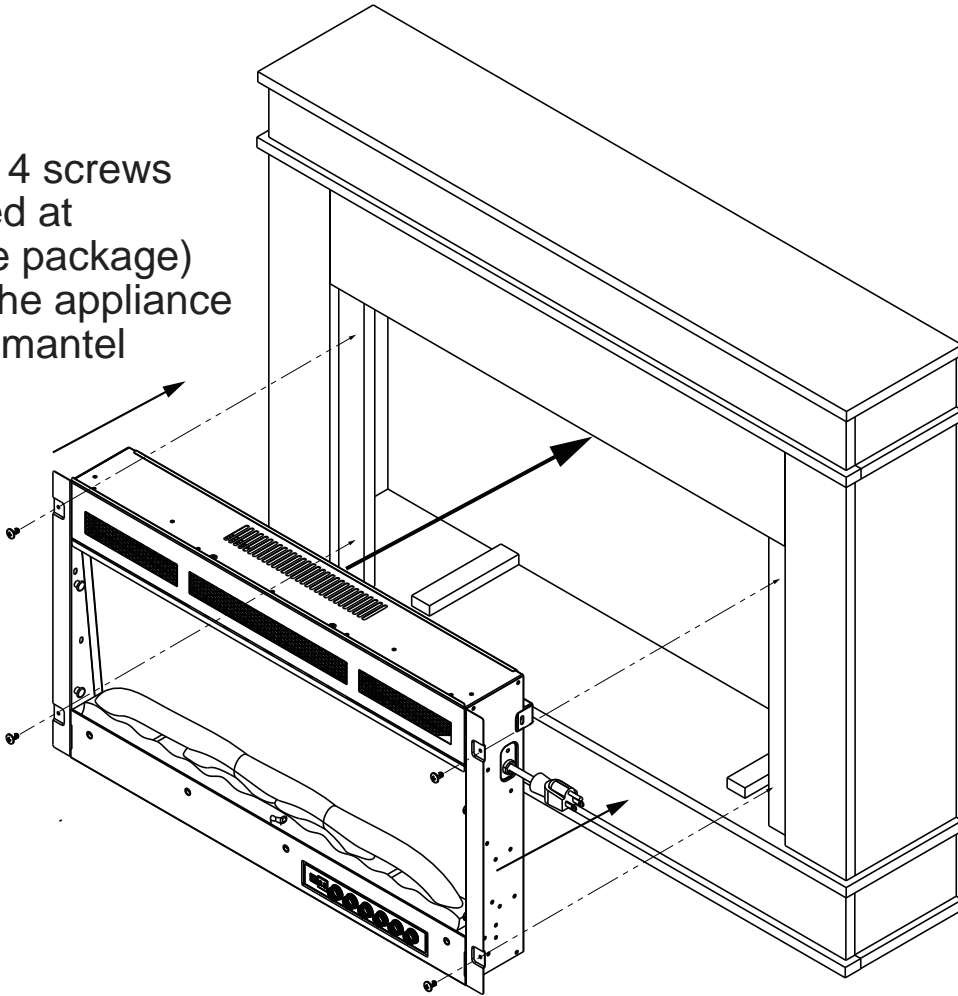
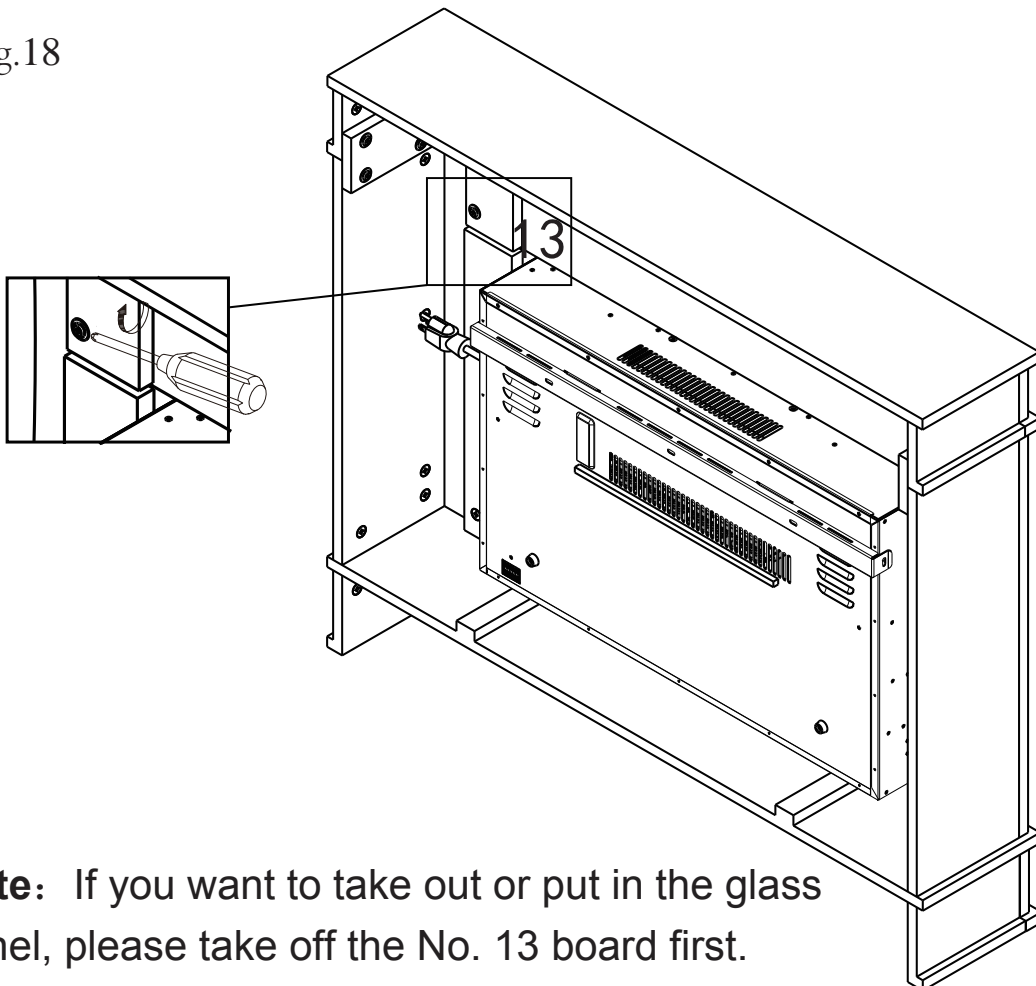


Fig.18



**Note:** If you want to take out or put in the glass panel, please take off the No. 13 board first.

Fig.19

Take off the No. 13 board

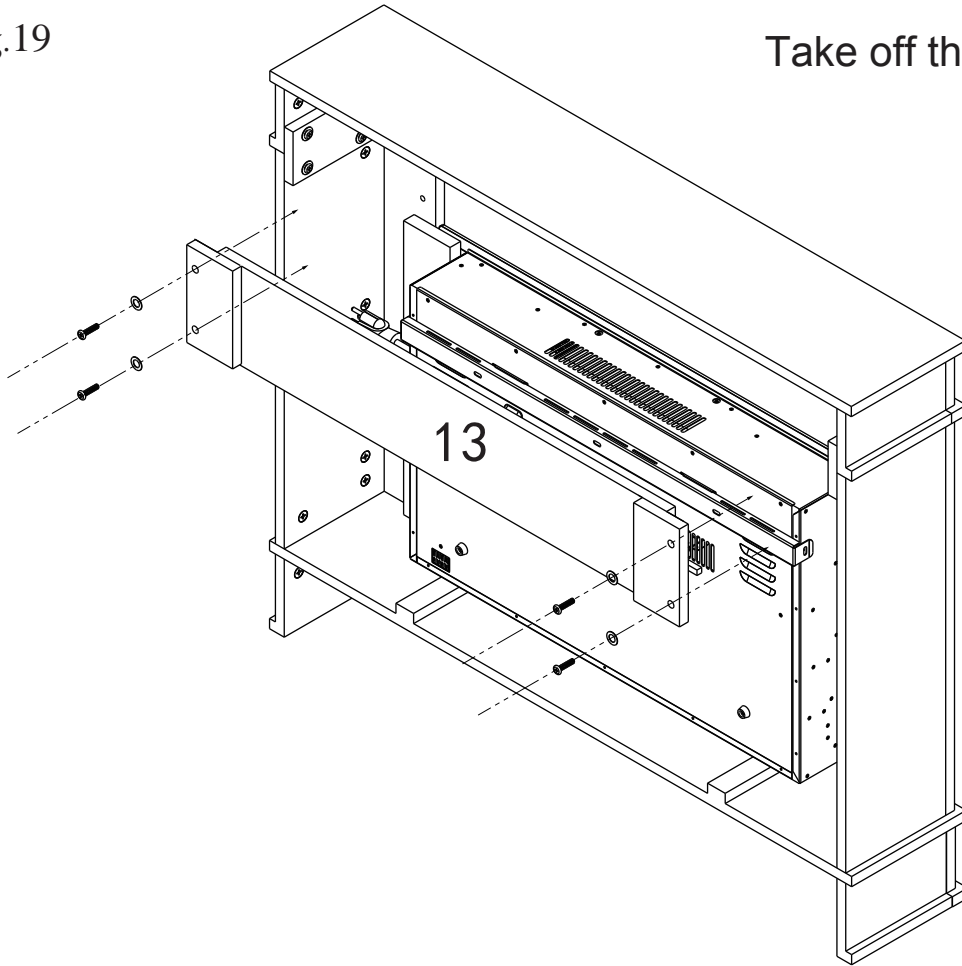


Fig.20

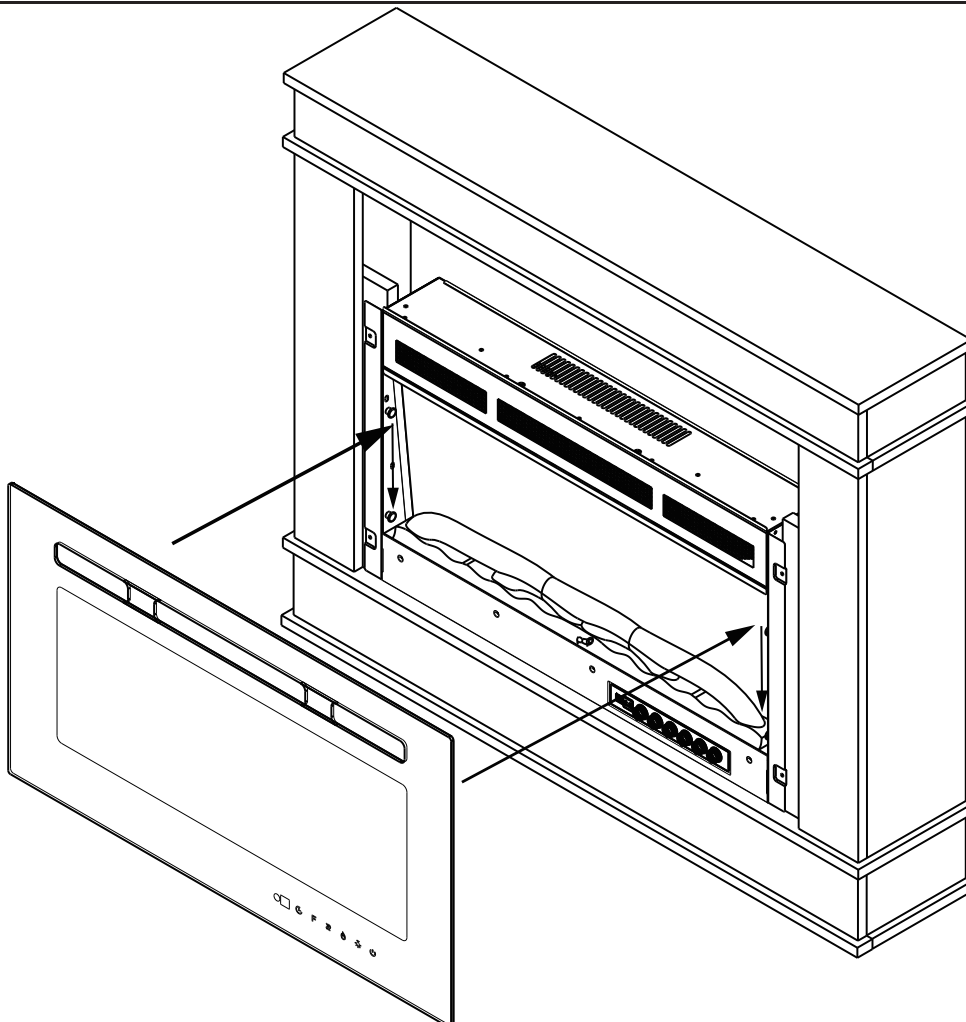
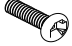

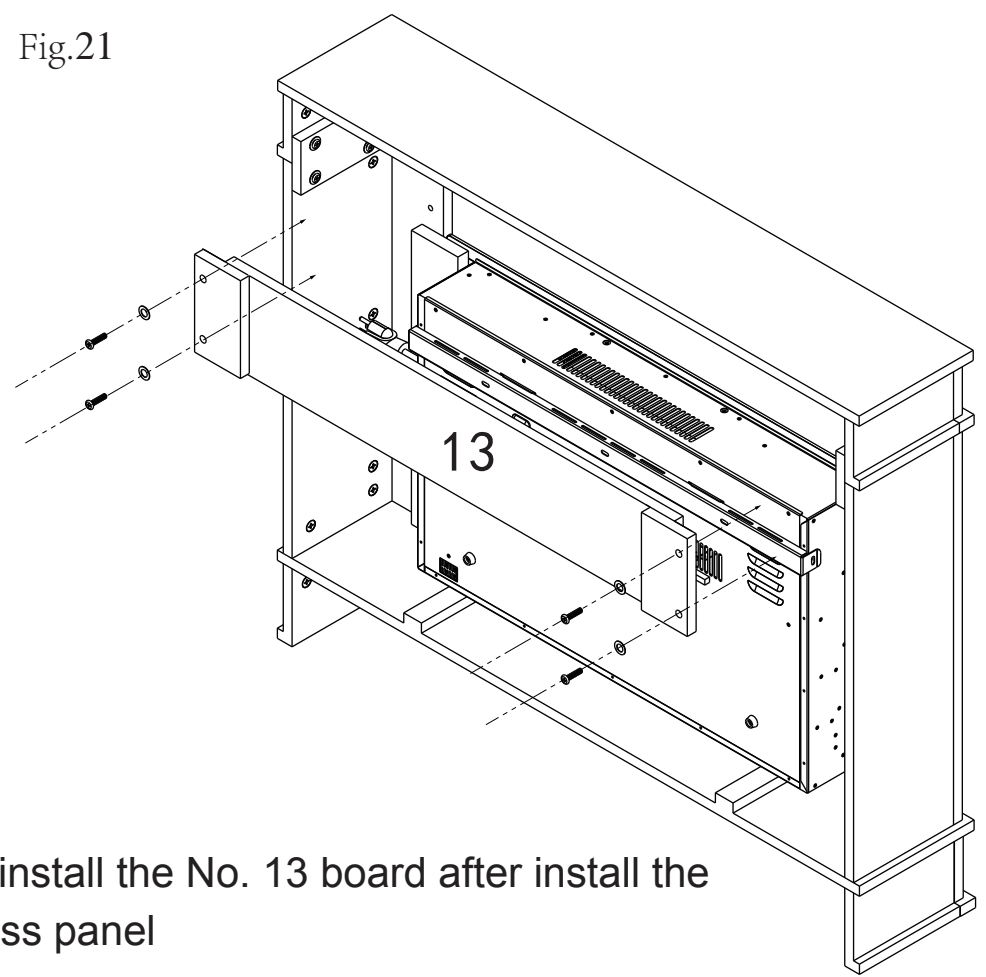
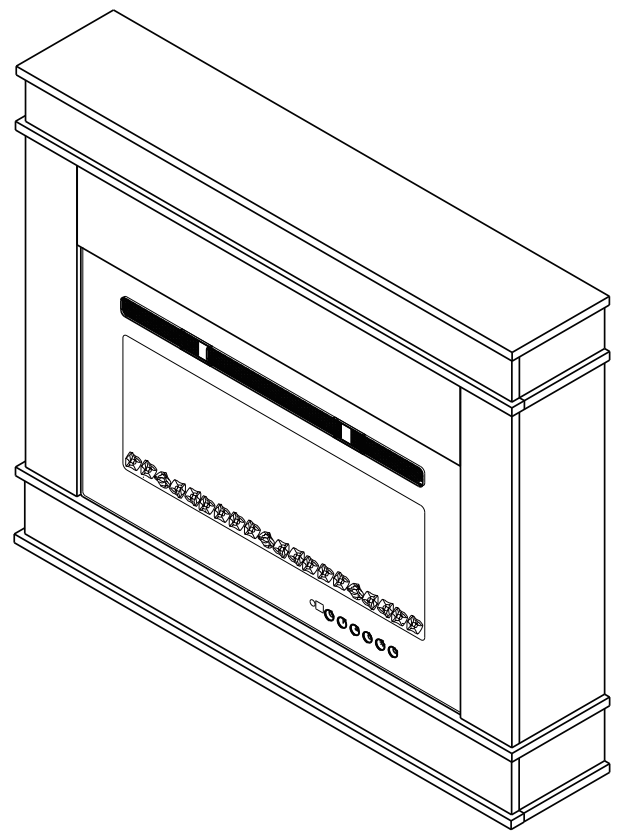
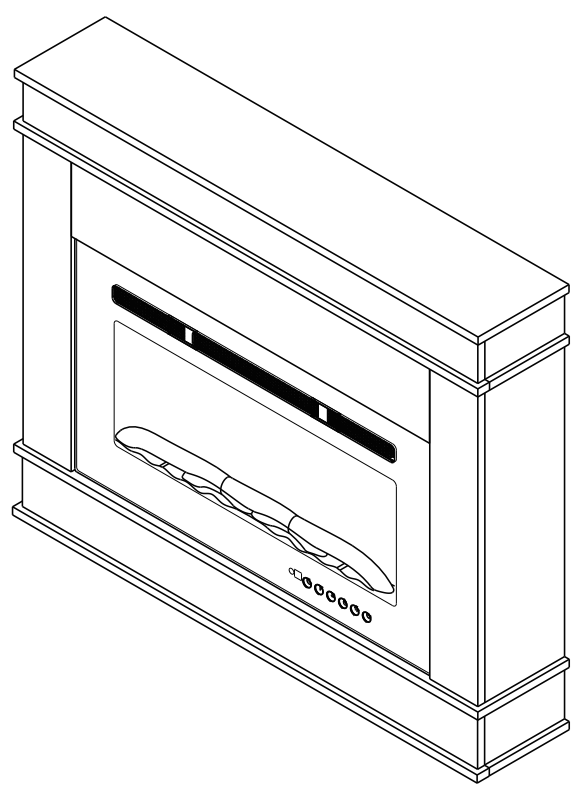


Fig.21

- C  4
- D  4

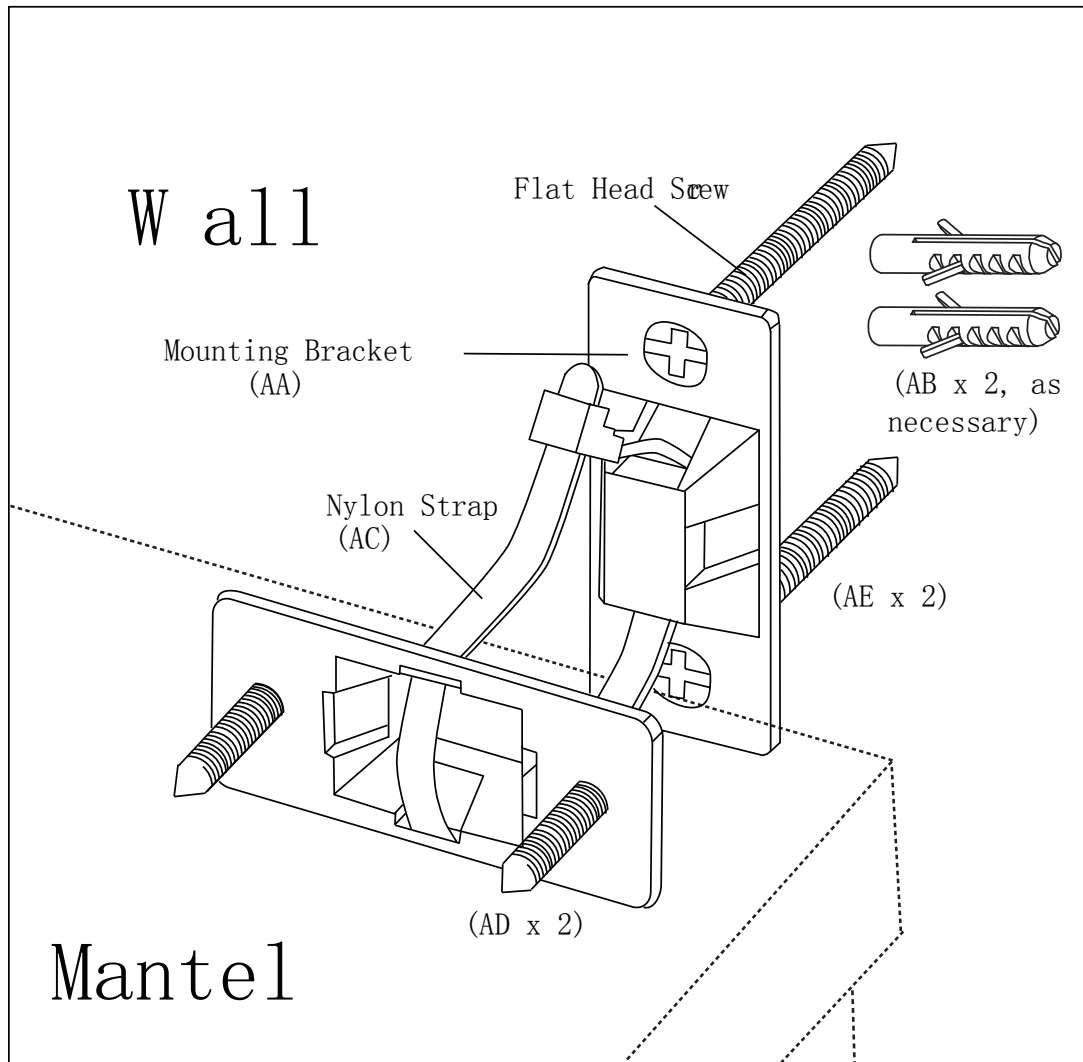


Reinstall the No. 13 board after install the glass panel



## Assembly

### Anchoring the media console



### Care and maintenance



**Do not** use abrasive or chemical cleaners. Discolouring or damage to finish may result.

Clean media console with a non-abrasive cloth. Clean as often as necessary.

note:

Excessive sun exposure may cause discolouring or fading of media console finish.