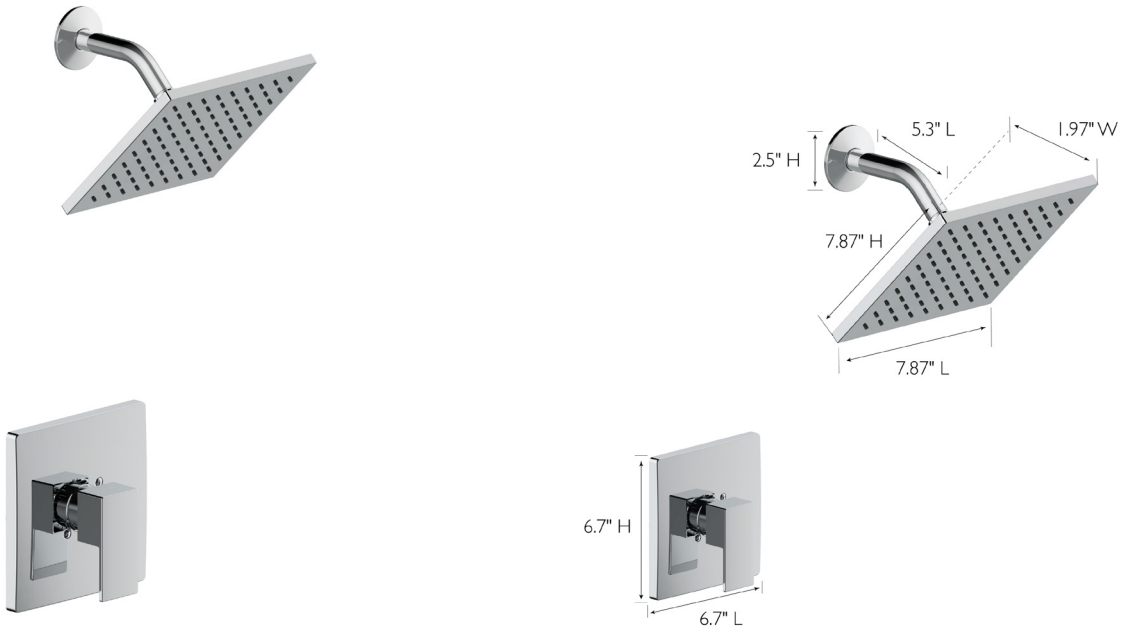


Karsen II Shower Trim with Valve Polished Chrome



SPECIFICATIONS

MATERIAL:	Zinc/Brass	WEIGHT:	3 lbs.
HANDLE MATERIAL:	Zinc	PVD FINISH:	No
CARTRIDGE MATERIAL:	Ceramic	ESCUTCHEON INCLUDED:	Yes
WATERWAY MATERIAL:	Hybrid	VALVE INCLUDED:	Yes
VALVE MATERIAL:	Brass	PRESSURE BALANCED VALVE:	Yes
FLOW RATE:	1.8 GPM	SHOWER HEAD FUNCTIONS (QTY):	1
LOW FLOW:	Yes	SHOWER HEAD NOZZLE TYPE:	Raised
HANDLES CONFIGURATION:	Single Handle	SHOWER HEAD SHAPE:	Square
HANDLE REACH:	N/A	SHOWER HEAD PUSH BUTTON:	No
QUICK ATTACH INCLUDED:	No		
DIMENSIONS FOR SHOWER ARM:	2.5" H x 5.3" L		
DIMENSIONS FOR SHOWER HEAD:	7.87" H x 7.87" L		
DIMENSIONS FOR TRIM:	6.7" H x 6.7" L		

WARRANTY:	5-Year limited warranty
UPC CERTIFICATION NAME:	cUPC
WATERSENSE:	No
ASME:	No
ADA COMPLIANT:	Yes



TYPE:
JOB:
ORDER CODE:
APPROVALS: