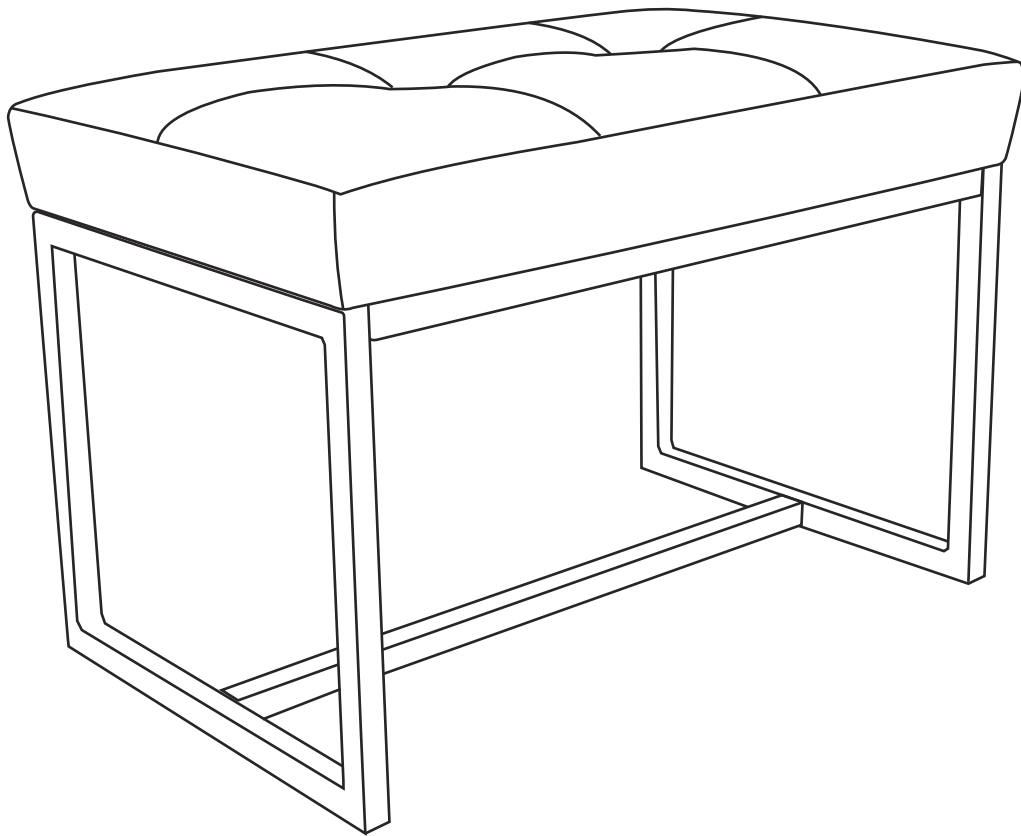


ASSEMBLY INSTRUCTION

ACCENT STOOL



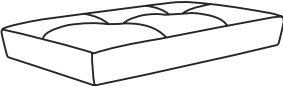
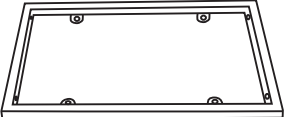
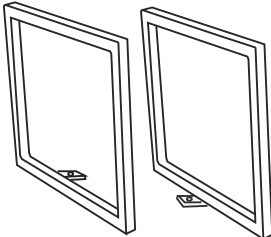

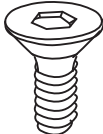
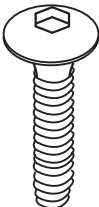
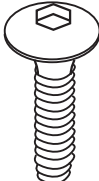
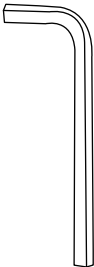
Please carefully unpack and identify each component before beginning assembly. Before you begin, please refer to parts list to make sure that you have all parts. Please take care when assembling the unit and always place the parts on a clean, soft surface. If you require assistance with assembly or parts, please call 888-357-7263.

Get social with us and discover more about our products, tips and exclusive discounts!



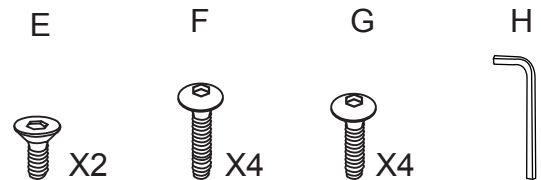
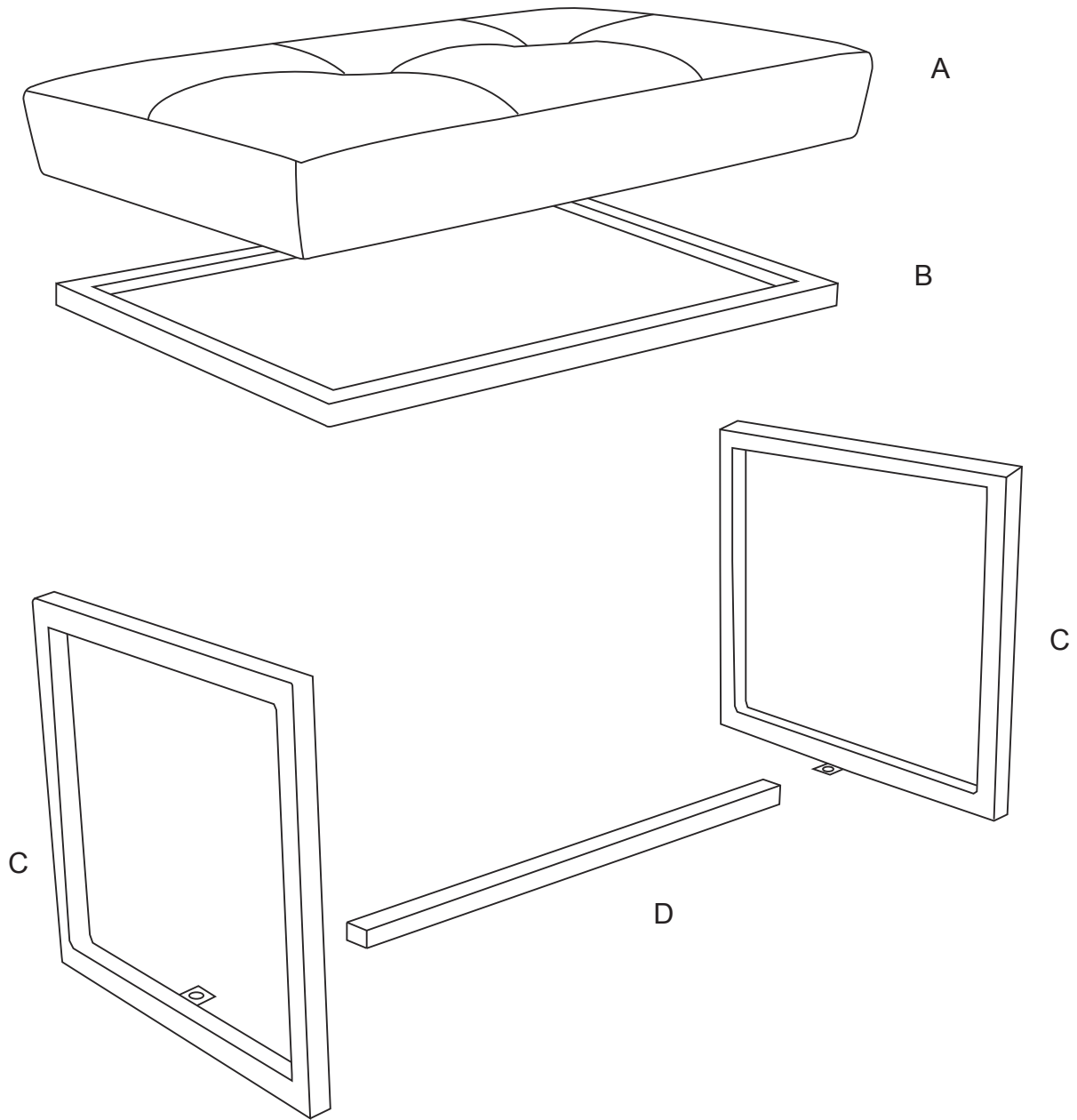
PRE-ASSEMBLY PREPARATION

- **CAUTION:** Assembly will require at least 2 adults. DO NOT use power tools. Please inspect all items BEFORE assembly. If for any reason you need to return this item, please kindly return it in it's original packaging.
- **WARNING!**
 1. DO NOT let any sharp objects touch or rub the surface of the product.
 2. When assembling, do not let children play around the working area.
 3. DO NOT tighten all bolts and screws completely until the entire unit has been assembled and set up.
 4. DO NOT USE if this product become damaged, and/or components are broken or missing.
- **CARE AND CLEANING:** DO NOT scratch or chip the finish. DO NOT use abrasive chemicals for cleaning. Clean with mild soap on a soft rag. Rinse and dry thoroughly.
- **MAINTENANCE:** Please periodically check all fittings and re-tighten as necessary.

PARTS LIST			
<p>Seat (A)</p>  <p>Qty: 1</p>	<p>Seat Frame (B)</p>  <p>Qty: 1</p>	<p>Side Frame (C)</p>  <p>Qty: 1</p>	<p>Bottom Rail (D)</p>  <p>Qty: 1</p>
HARDWARE LIST			
<p>Allen Bolt M6X12mm (E)</p>  <p>Qty: 2</p>	<p>Allen Bolt M6X30mm (F)</p>  <p>Qty: 4</p>	<p>Allen Bolt M6X20mm(G)</p>  <p>Qty: 4</p>	<p>Allen Wrench (H)</p>  <p>Qty: 1</p>

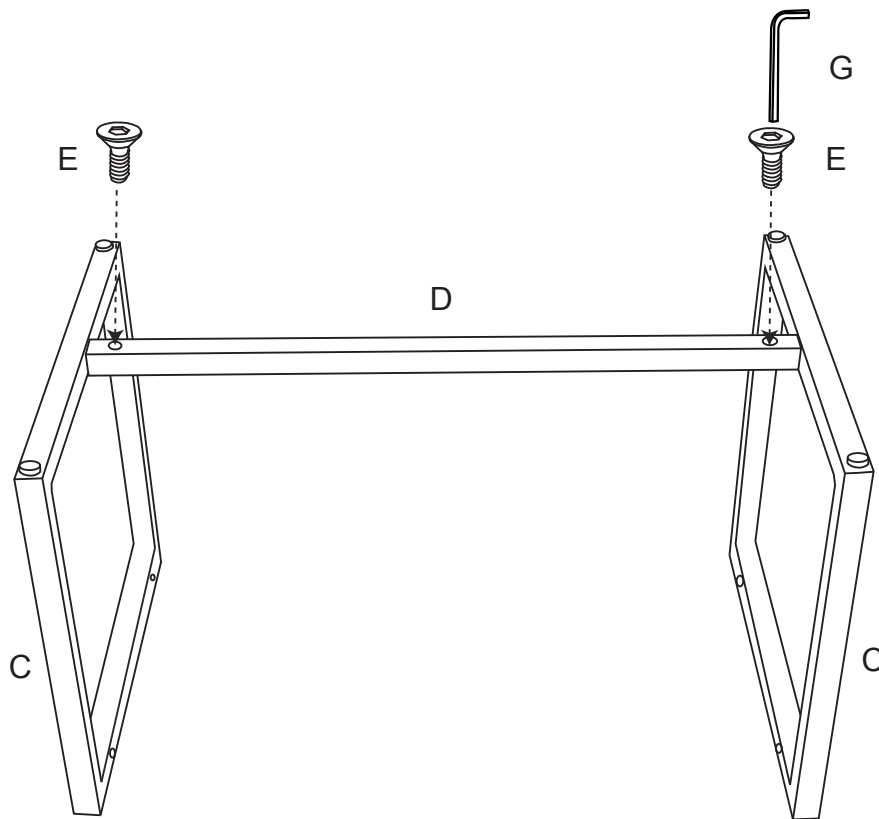
STEP-BY-STEP ASSEMBLY

PLEASE CAREFULLY UNPACK AND IDENTIFY EACH COMPONENT BEFORE BEGINNING ASSEMBLY. BEFORE YOU BEGIN, PLEASE REFER TO PARTS LIST TO MAKE SURE THAT YOU HAVE ALL PARTS.

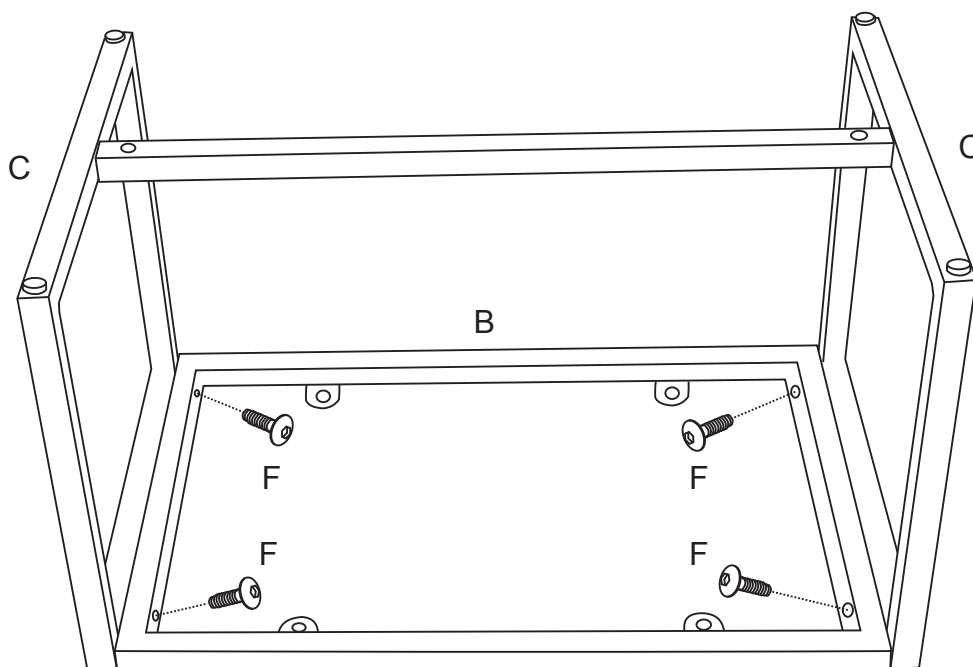


STEP 1

Attached the Bottom Rail (D) to the Side Frame (C) by using Allen Bolt(E).
Please 80% tighten the bolts.

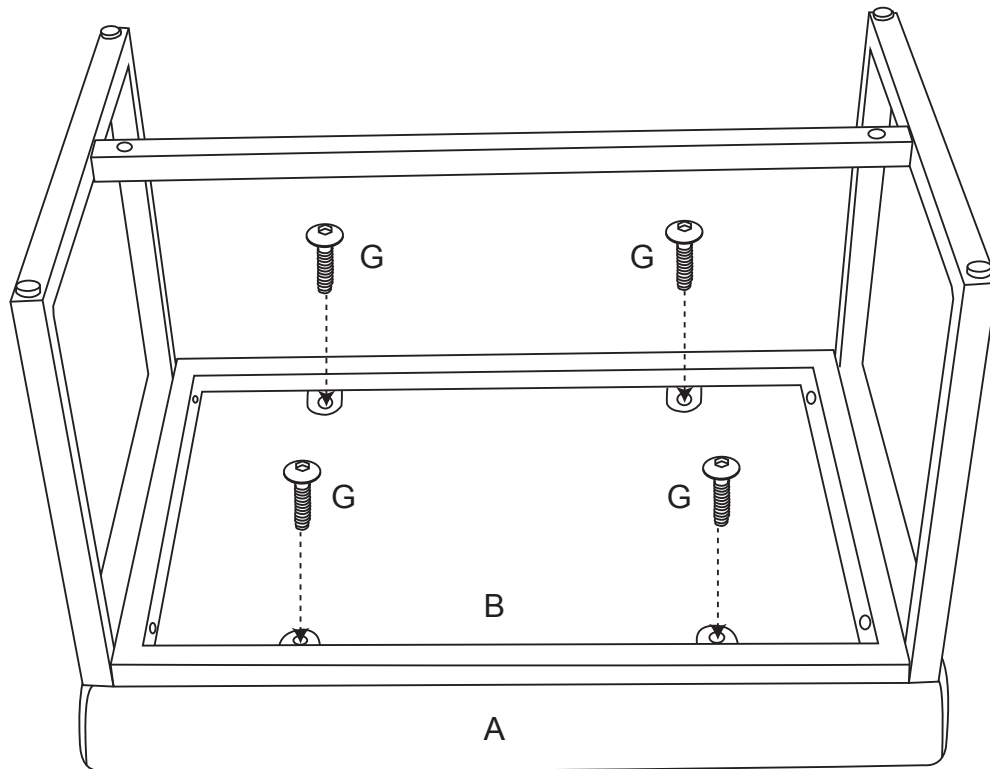
**STEP 2**

Attached the Seat Frame (B) to the Side Frame (C) by using Allen Bolt (F).
Please 80% tighten the bolts.



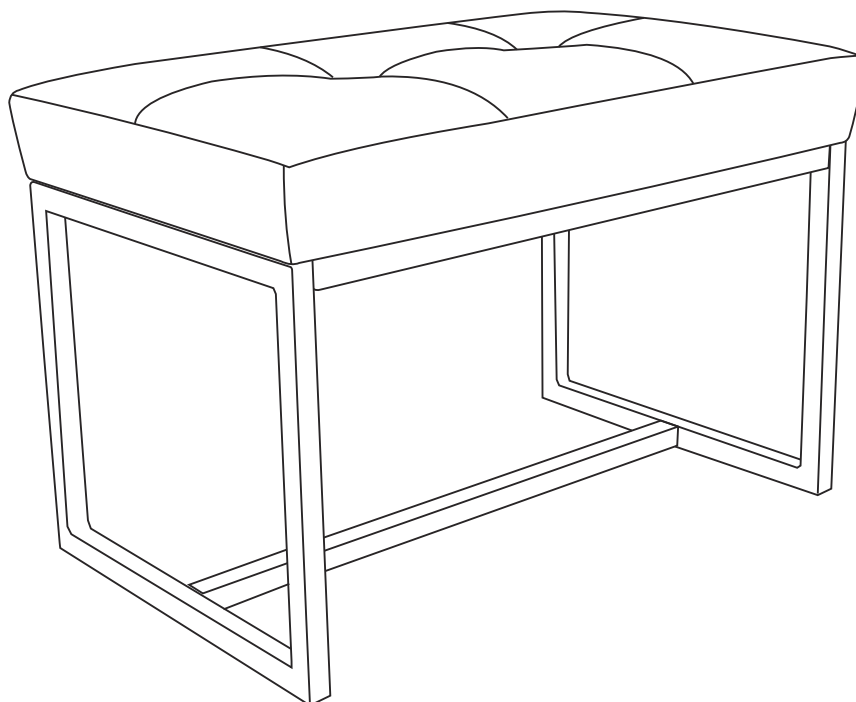
STEP 3

Attached the Seat Cushion(A) to the Seat Frame (B) by using Allen Bolt (G).
Please 80% tighten the bolts.



STEP 4

Please 100% tighten all bolts and screws completely until the entire unit has been assembled and set up. After initial assembly, the product may acclimate to its new environment. Please ensure all screws are still securely tightened.



glit⁺home[®]

Glit⁺home ,LLC.

Toll free 888-357-7263

customerservice@glit⁺home.com