

# ASSEMBLY INSTRUCTION

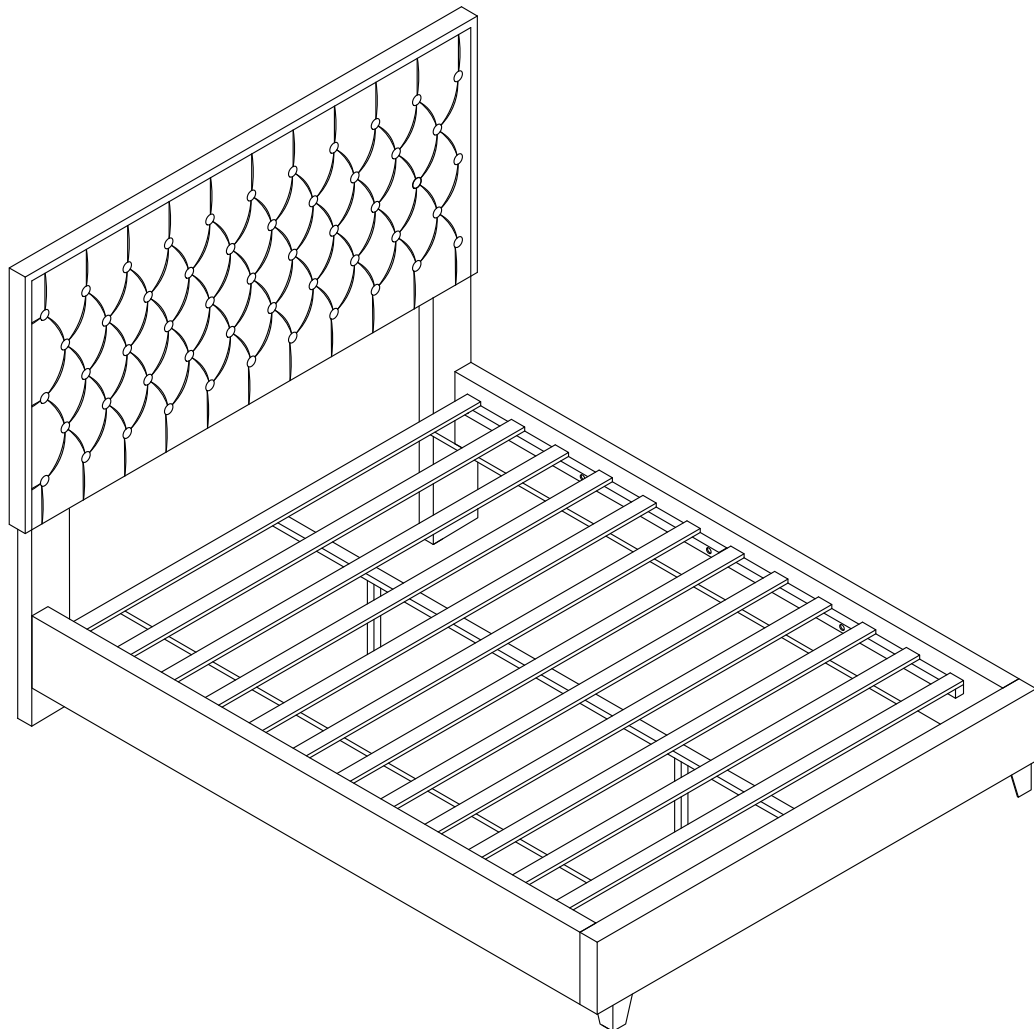
---

ITEM NO :

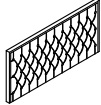
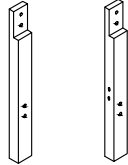
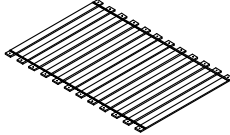
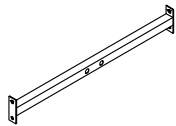


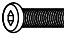




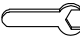
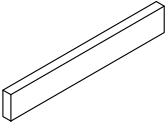
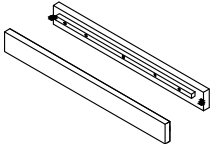
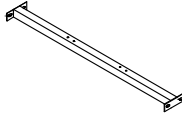

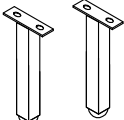
**IMPORTANT: PLACE ALL PARTS ON A CLEAN AND SMOOTH SURFACE SUCH AS A RUG OR CARPET TO AVOID THE PARTS FROM BEING SCRATCHED**

**KINDLY FOLLOW THE ASSEMBLY INSTRUCTIONS STEP**

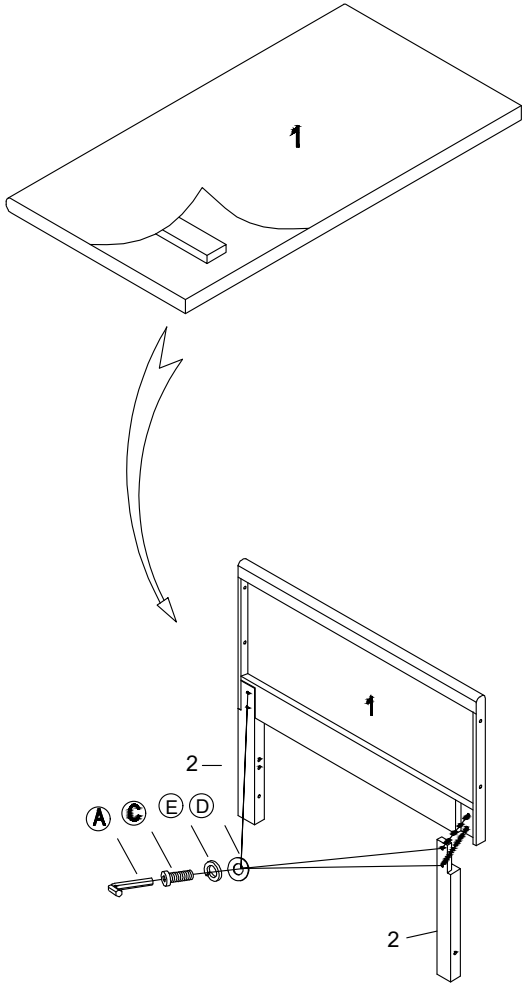
**DO NOT TIGHTEN ALL SCREWS UNTIL THE BED IS FULLY SET-UP**



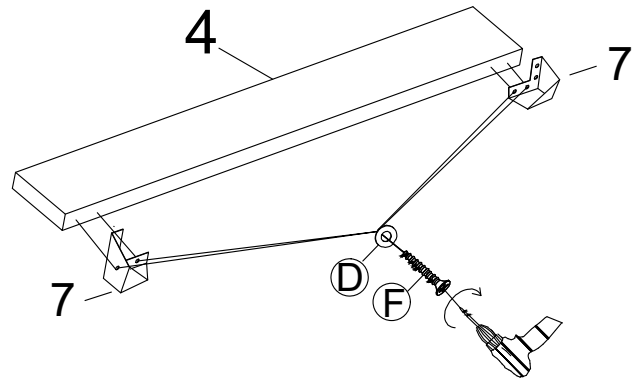
# Bed is packed in 2 carton

Carton	Disignation	Part	Hardware
772/779-Q-HB	1.Headboard		
	2.HB Legs		
	9.Slats(12pcs)		
772/779-Q-FB/SR	3.Crossband		 #A x 1pc  #B x 14pcs(1-1/2")  #C x 10pcs(2")  #D x38pcs  #E x 20pcs  #F x32pcs  #G x 6pcs  #Hx 1pc
	4.Footboard		
	5.Side Rail (2pcs)		
	6.Support Rail		
	7.HB FB LEG (2pcs)		
	8.Support Leg (2pcs)		

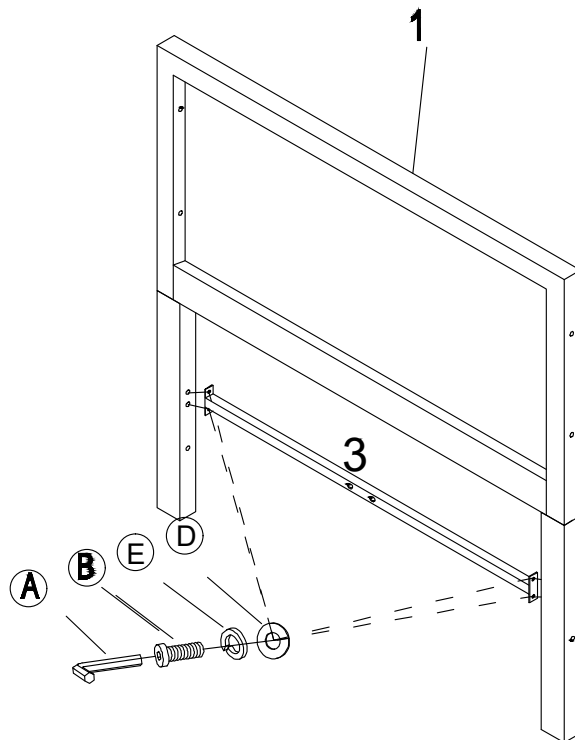
# STEP 1



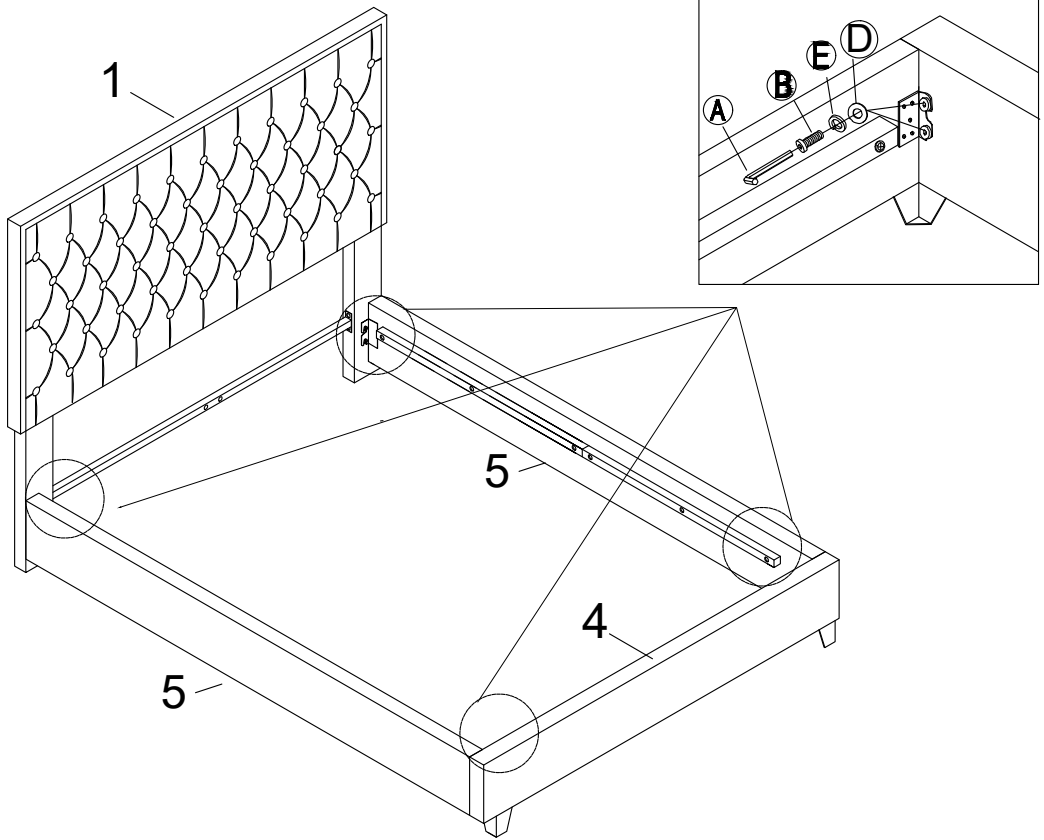
# STEP 2



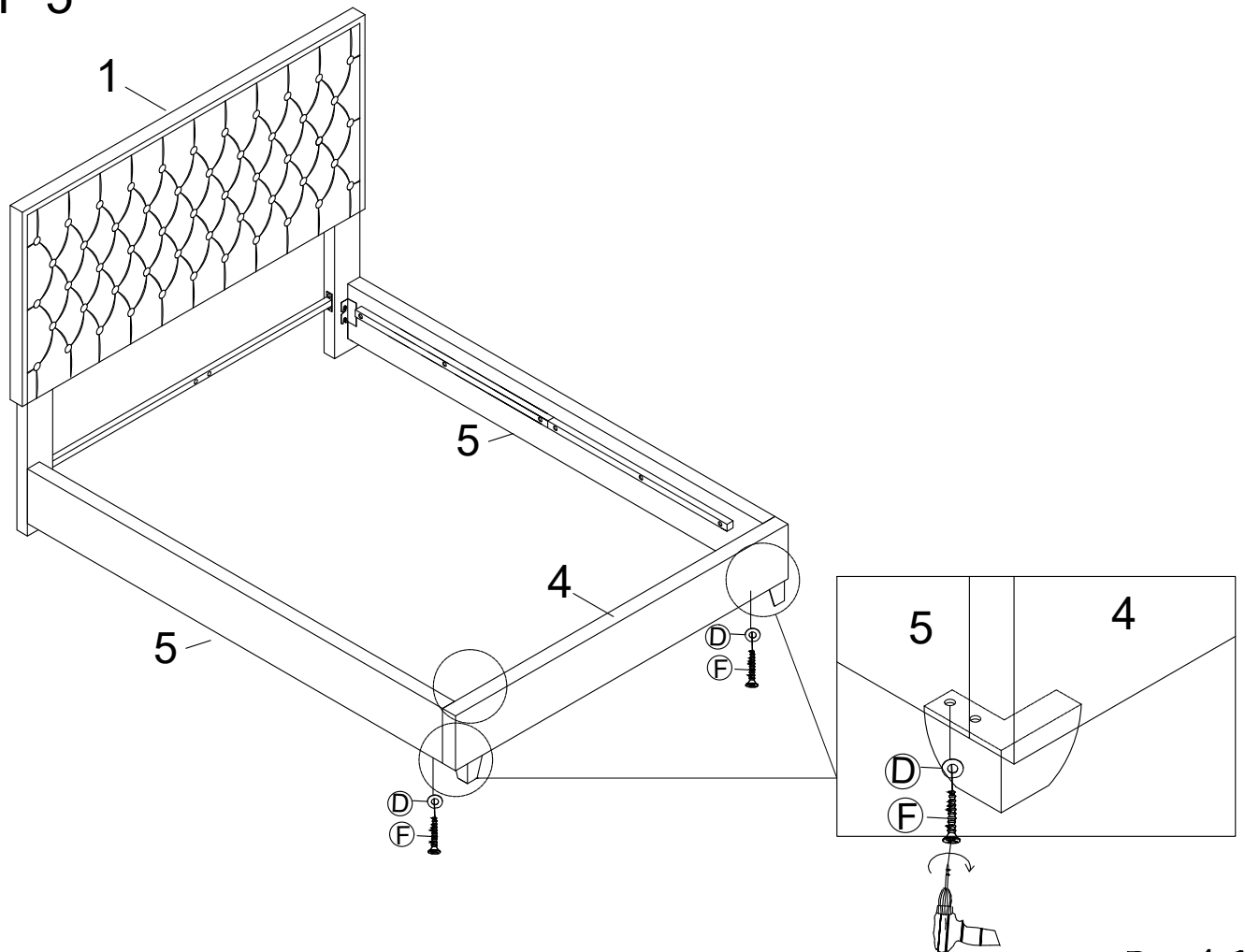
# STEP 3



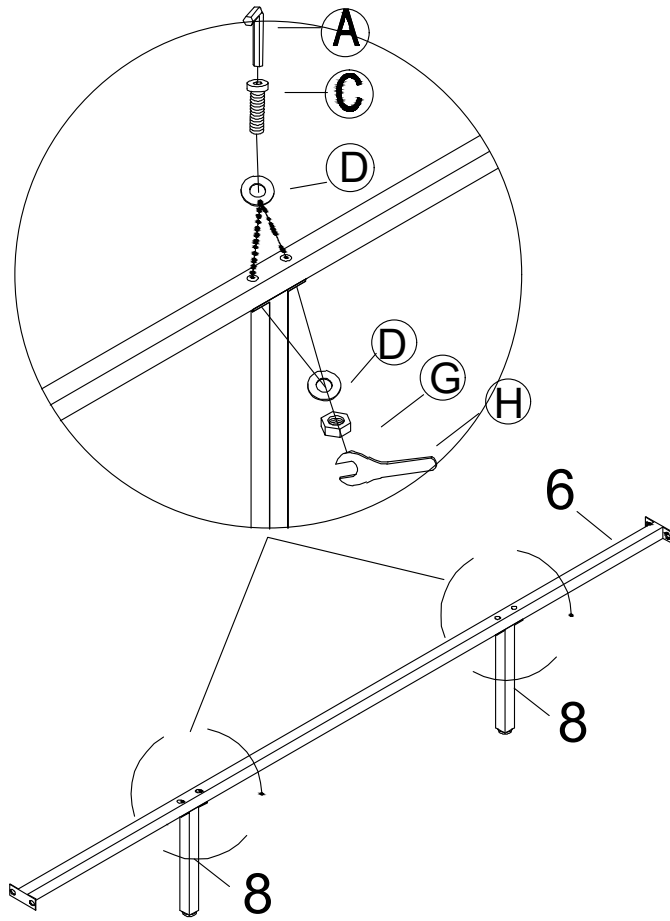
# STEP 4



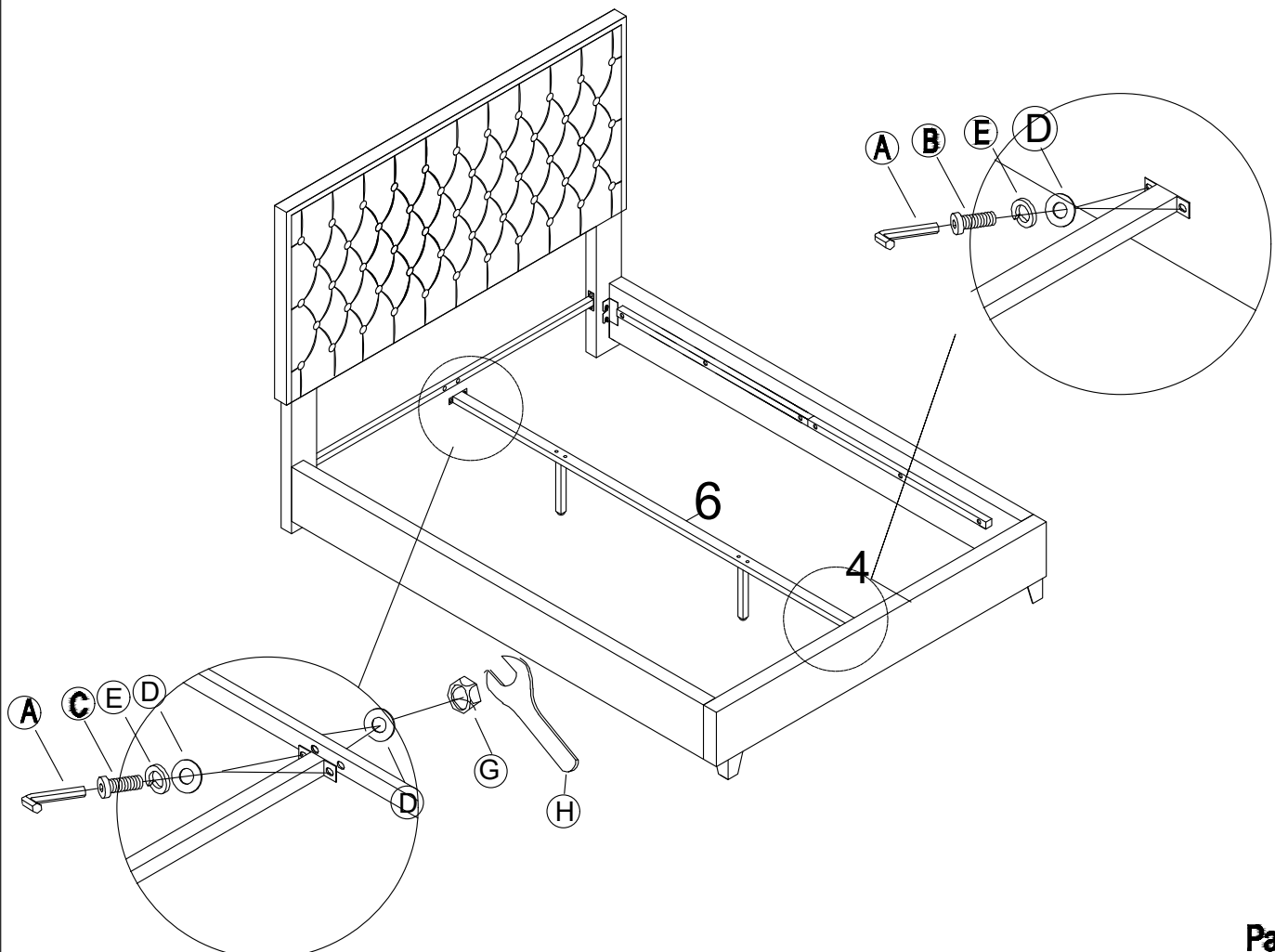
# STEP 5



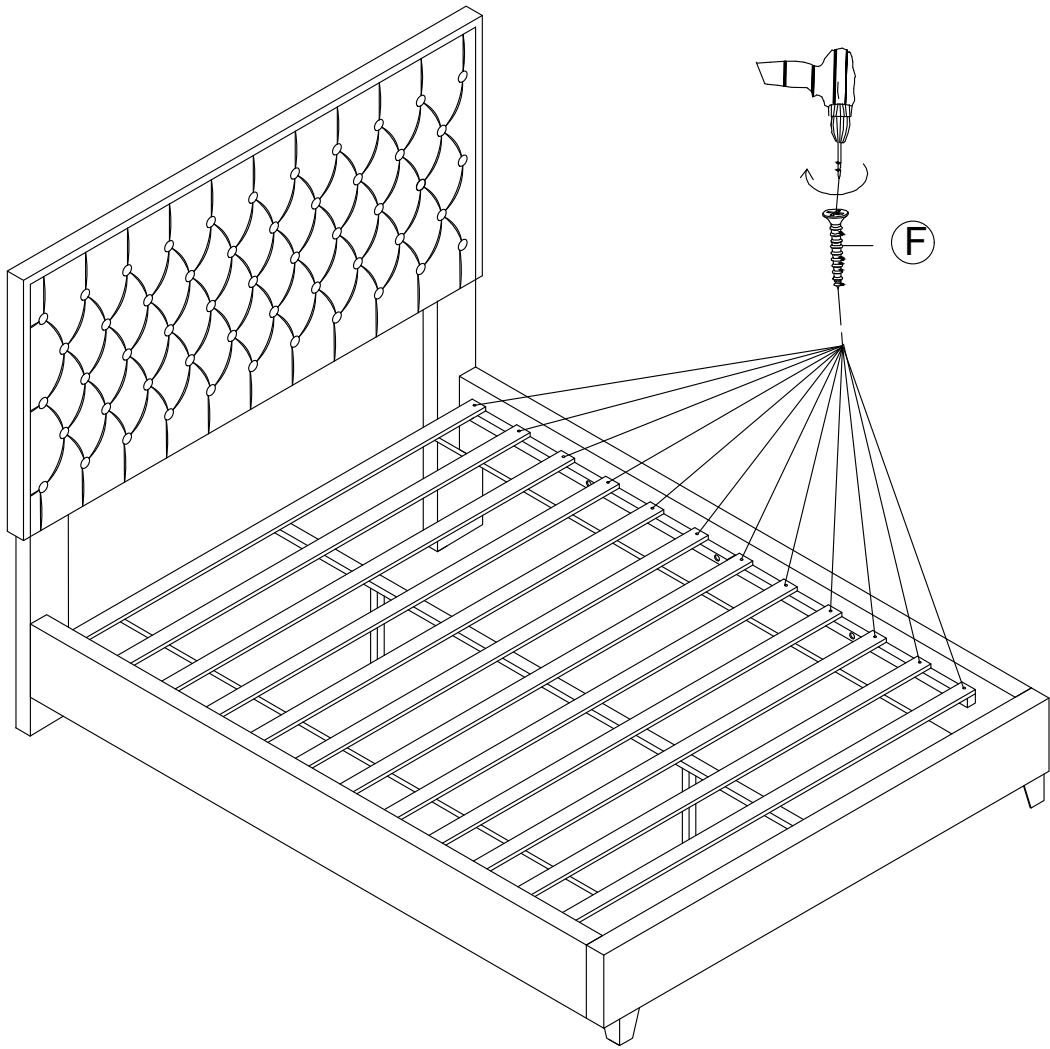
# STEP 6



# STEP 7



# STEP 8



# STEP 9

