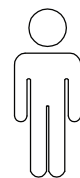
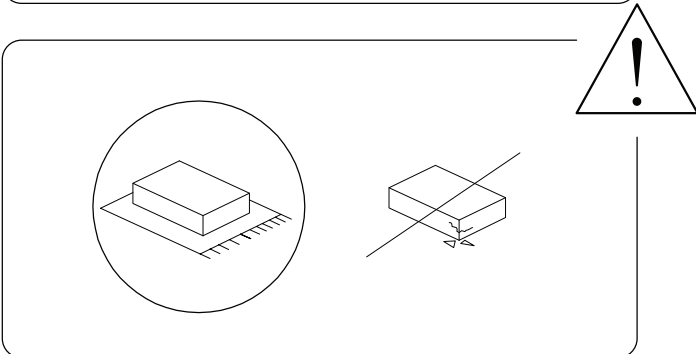
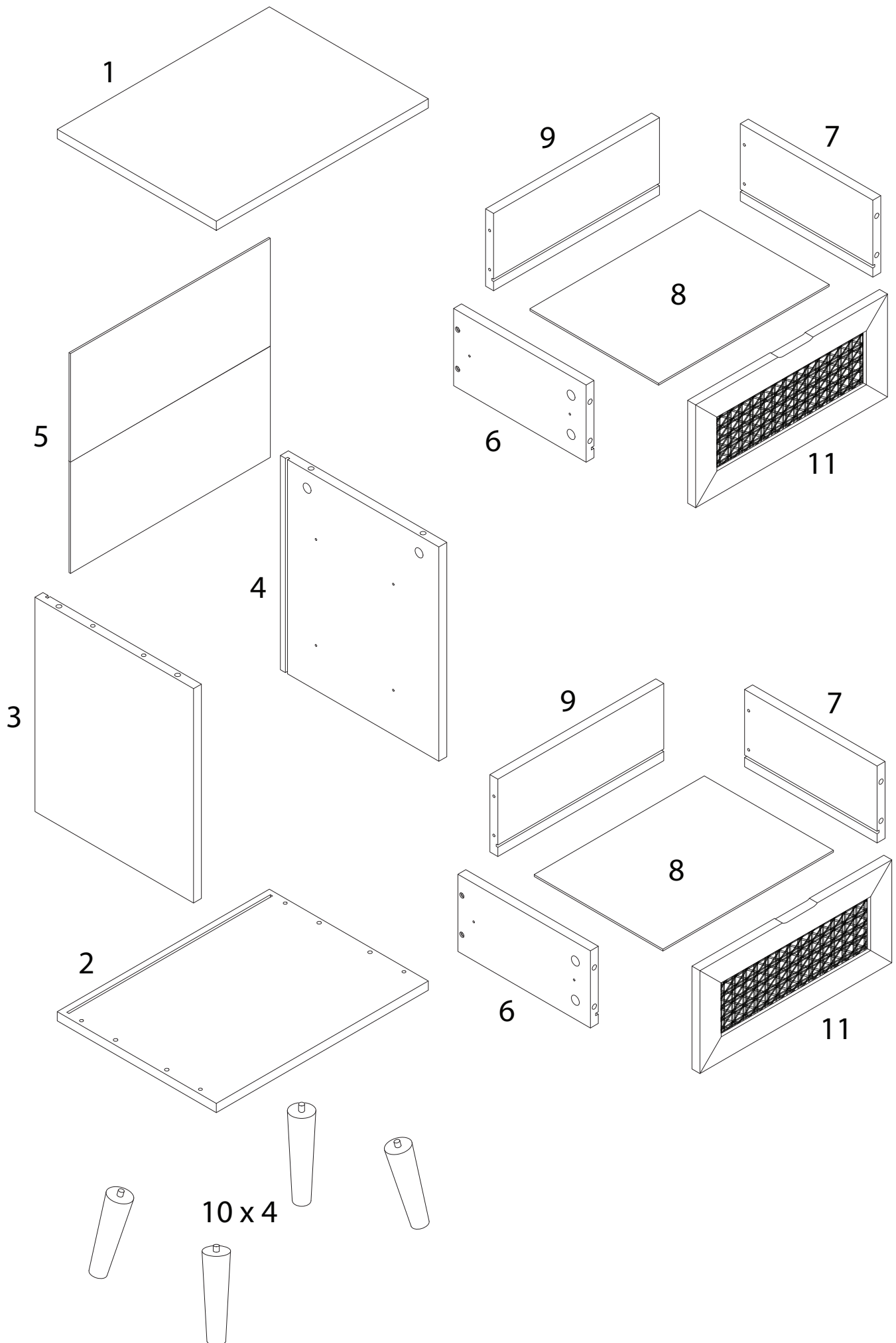


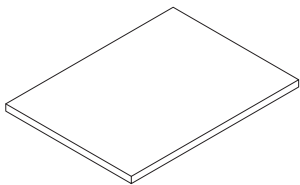
30'



1

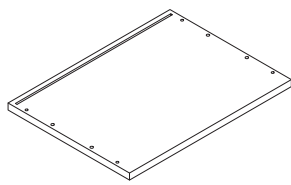


1



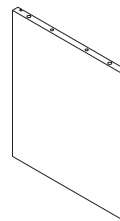
x 1

2



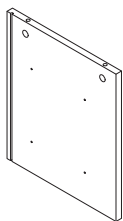
x 1

3



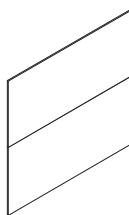
x 1

4



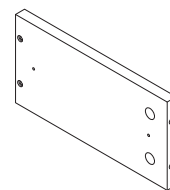
x 1

5



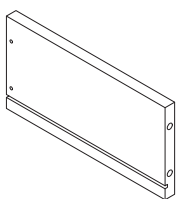
x 1

6



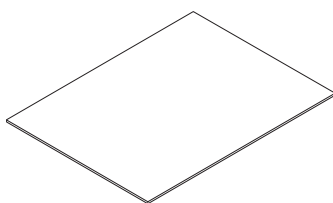
x 2

7



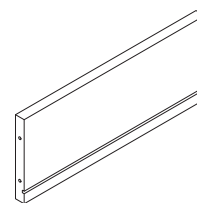
x 2

8



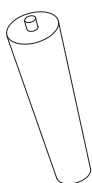
x 2

9



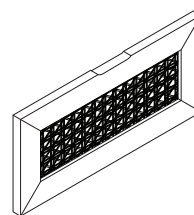
x 2

10



x 4

11



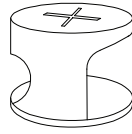
x 2

A



x 12

B



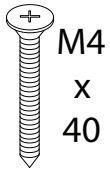
x 12

C



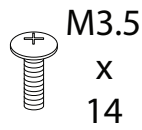
x 8

D



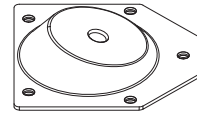
x 14

E



x 20

F



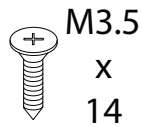
x 4

G



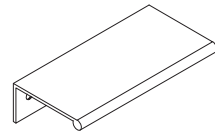
x 2

H



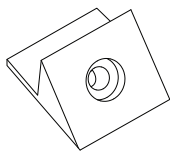
x 28

I



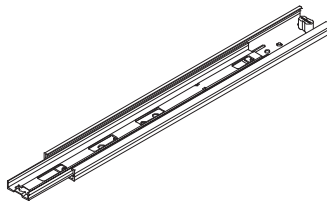
x 2

J



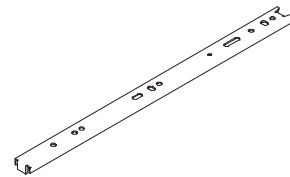
x 6

K1



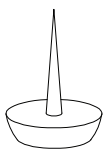
x 4

K2



x 4

L



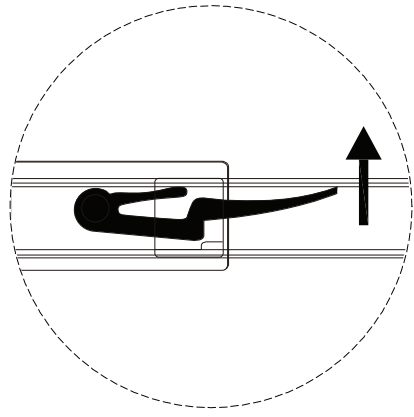
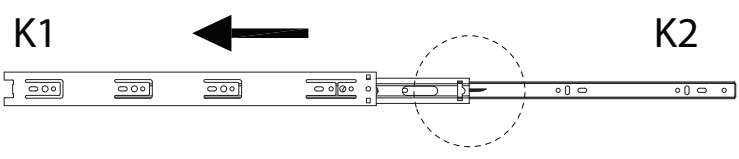
x 4

N



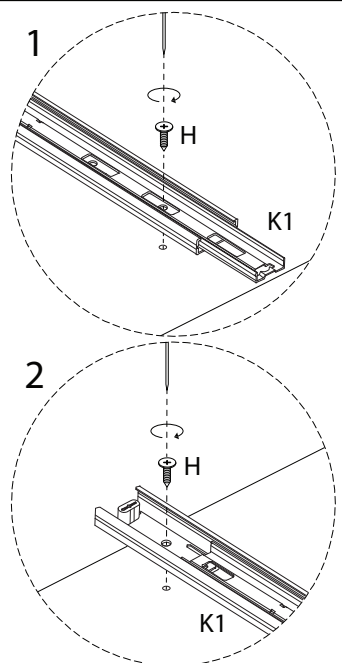
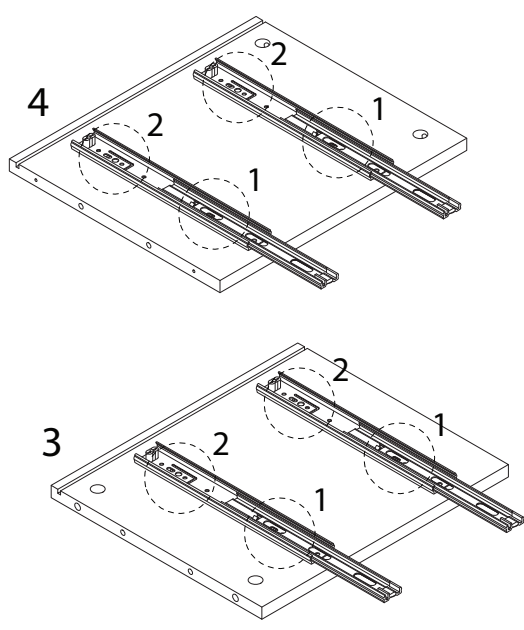
x 2

!

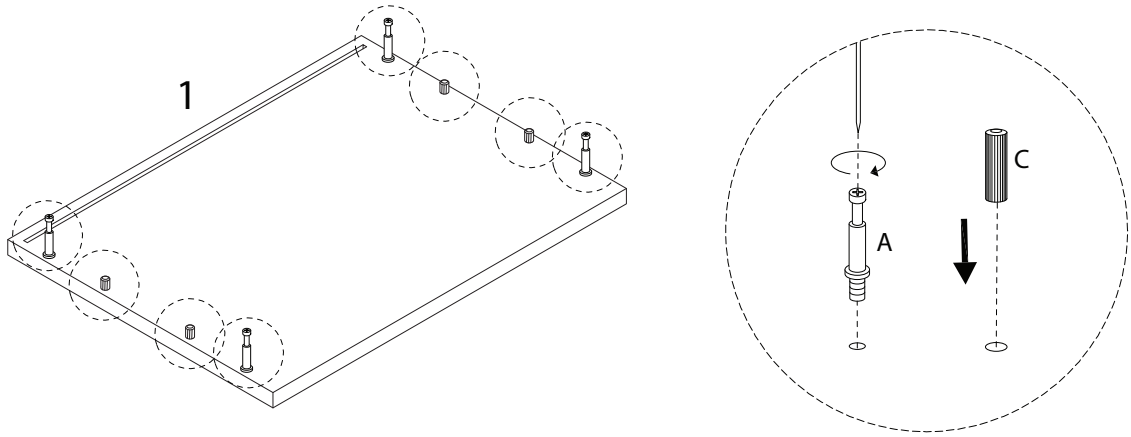
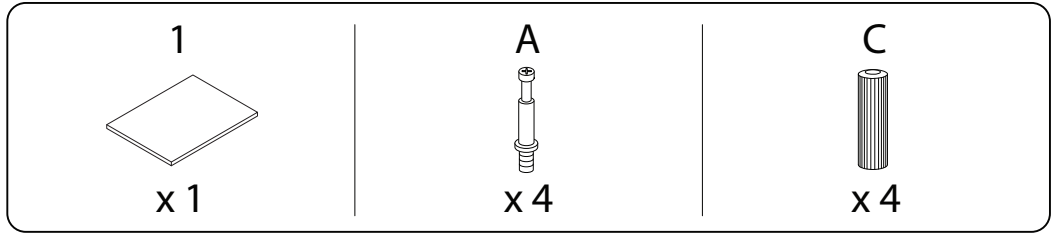


1

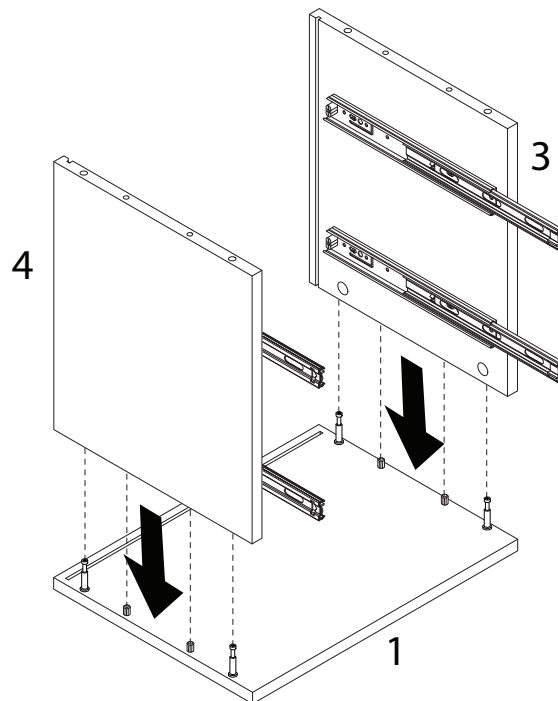
<p>3 x 1</p>	<p>4 x 1</p>	<p>H M3.5 x 14 x 8</p>	<p>K1 x 4</p>
------------------	------------------	------------------------------------	-------------------



2



3

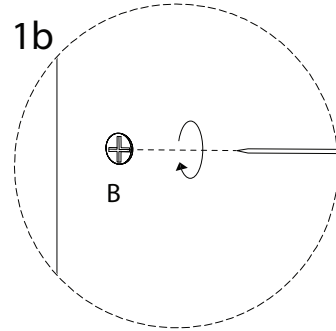
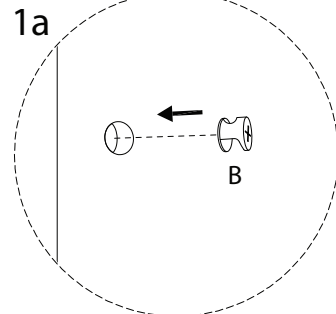
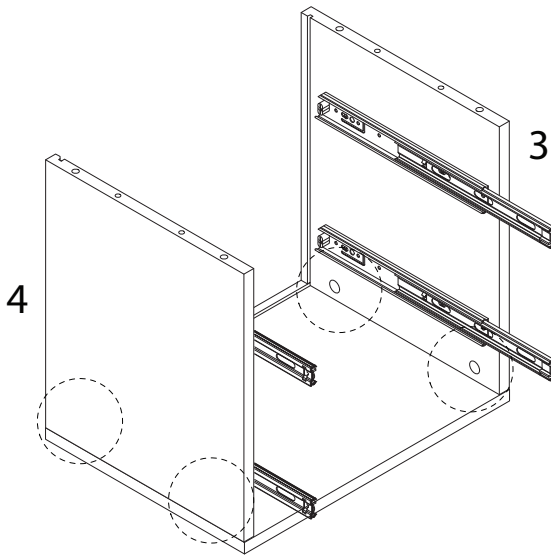


4

B

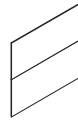


x 4

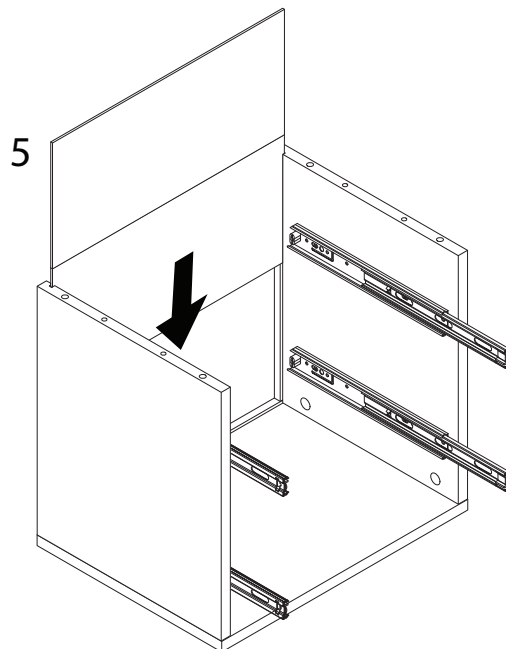


5

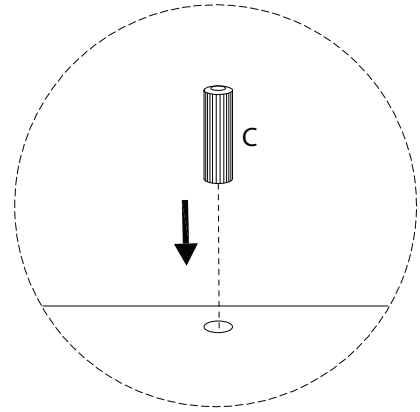
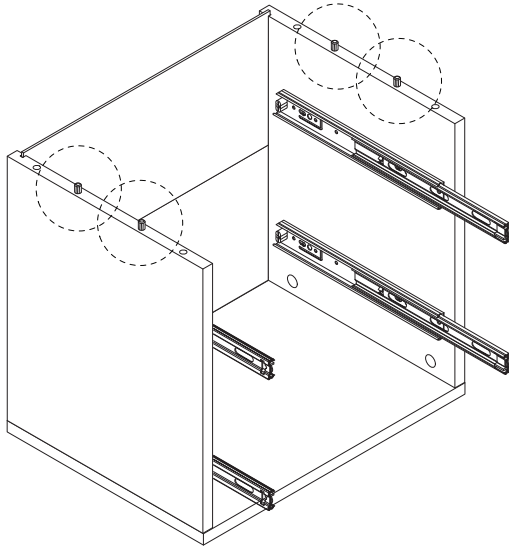
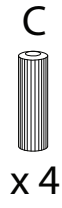
5



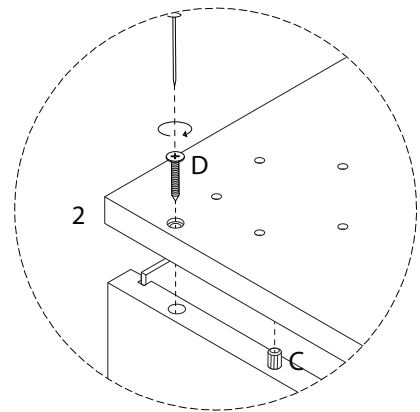
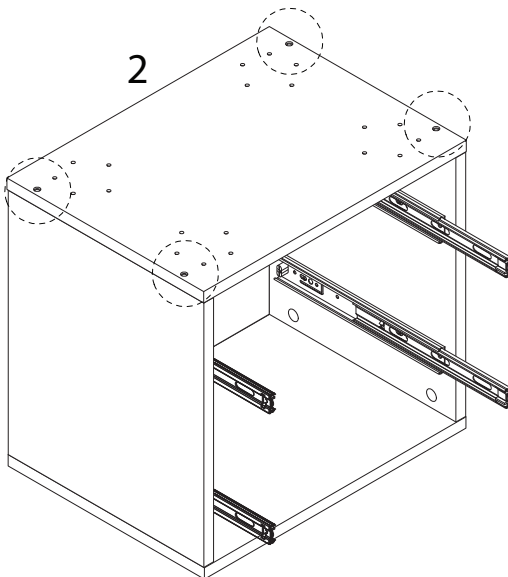
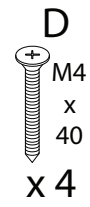
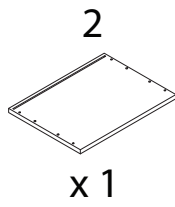
x 1



6



7

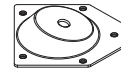


8

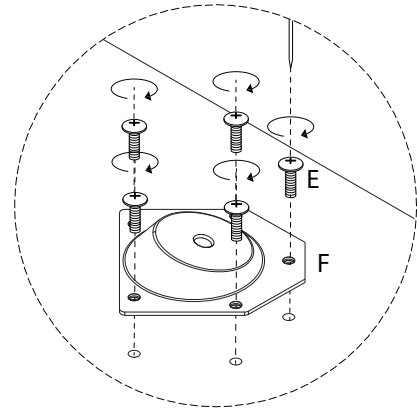
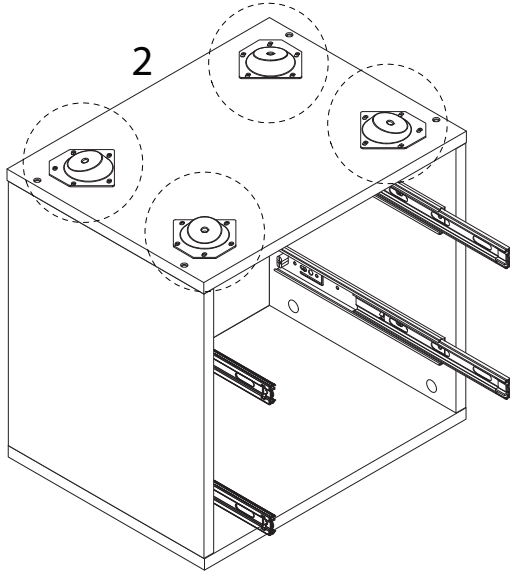
E

M3.5
x
14
x 20

F



x 4

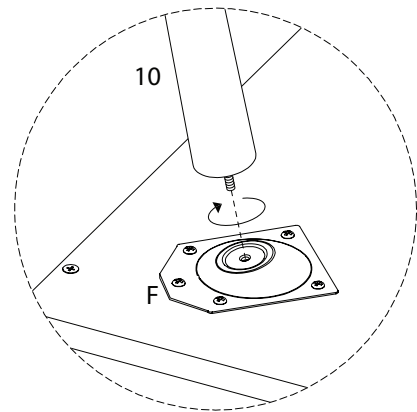
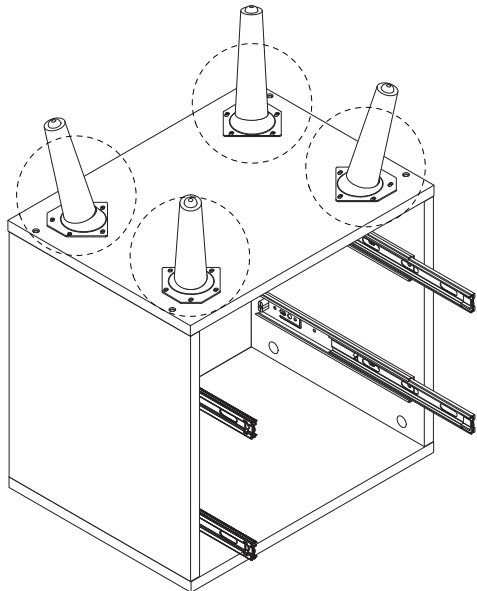


9

10



x 4

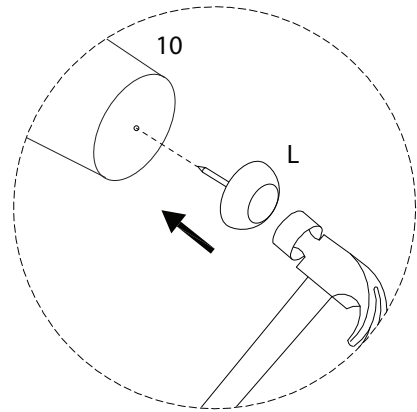
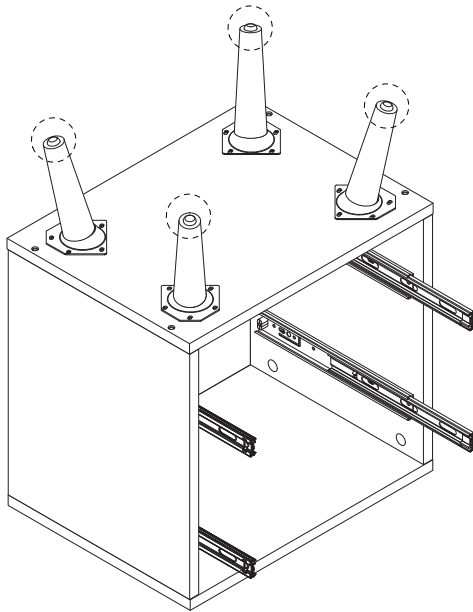


10

L

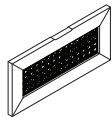


x 4



11 x 2

11

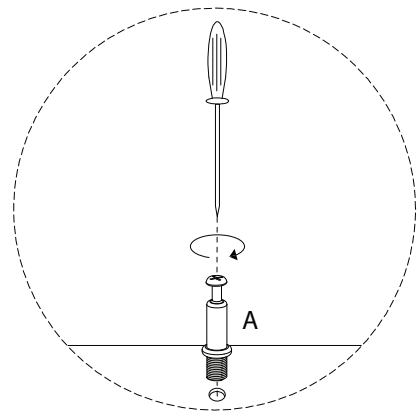
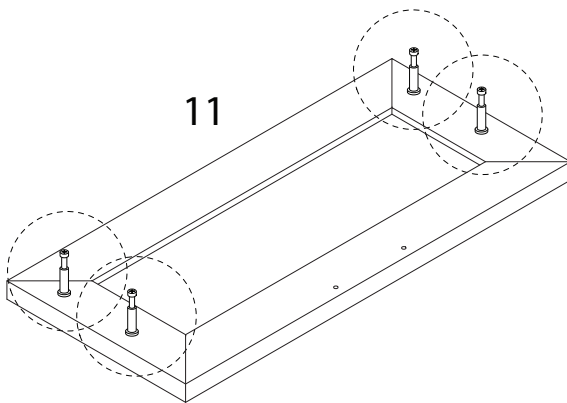


x 1

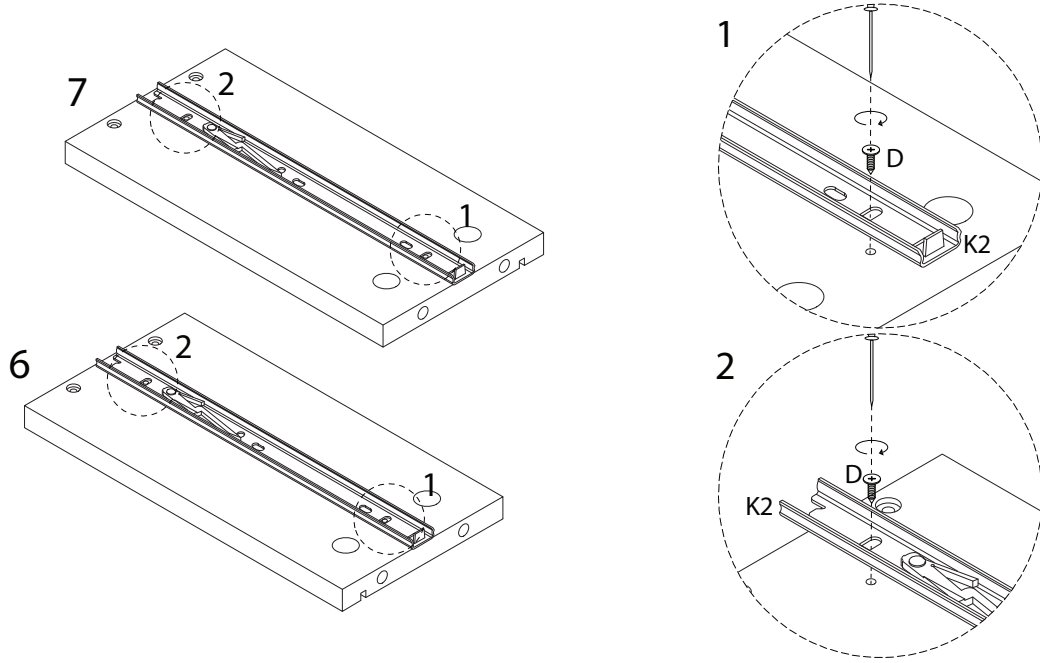
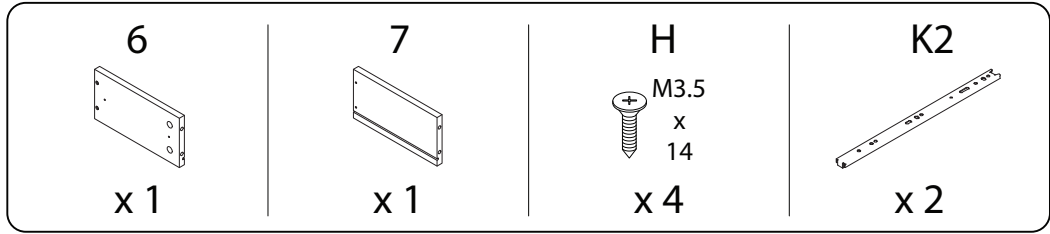
A



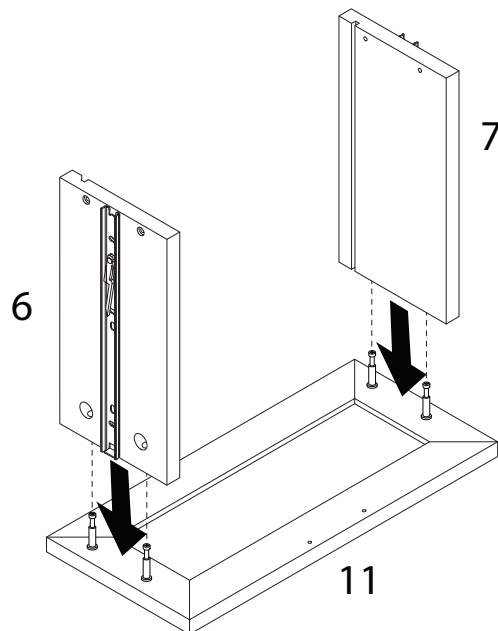
x 4



12 x 2



13 x 2

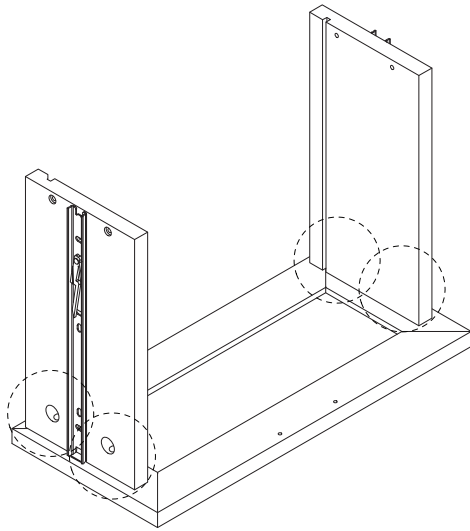


14 x 2

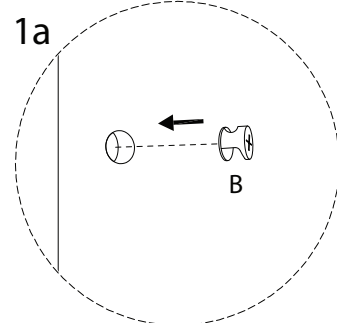
B



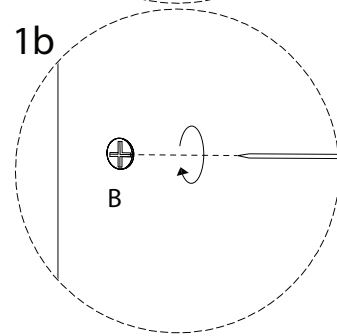
x 4



1a

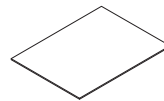


1b

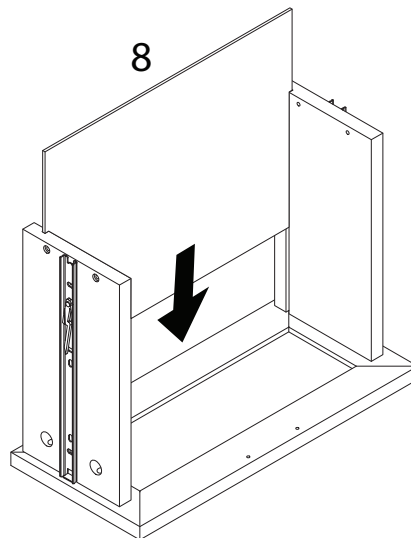


15 x 2

8

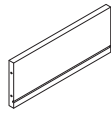


x 1



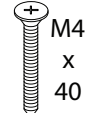
16 x 2

9

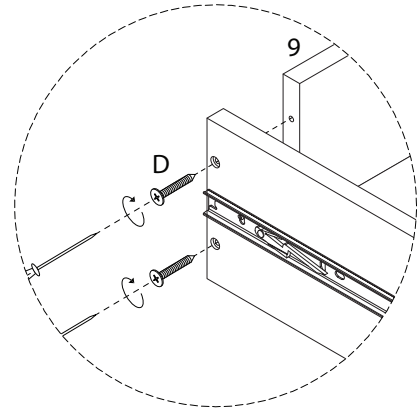
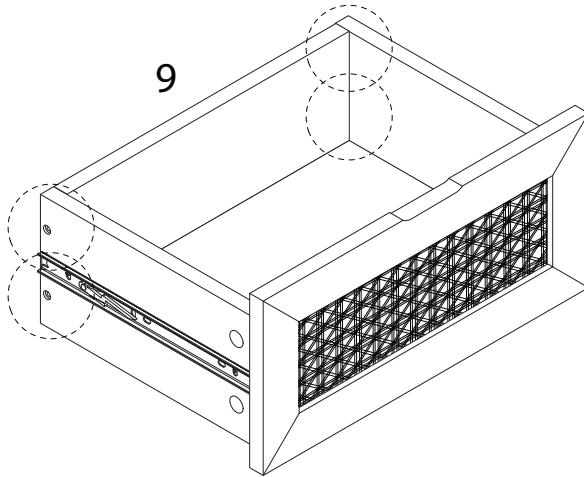


x 1

D



x 4



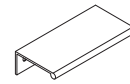
17 x 2

H

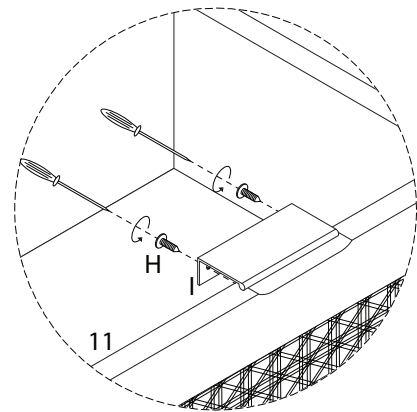
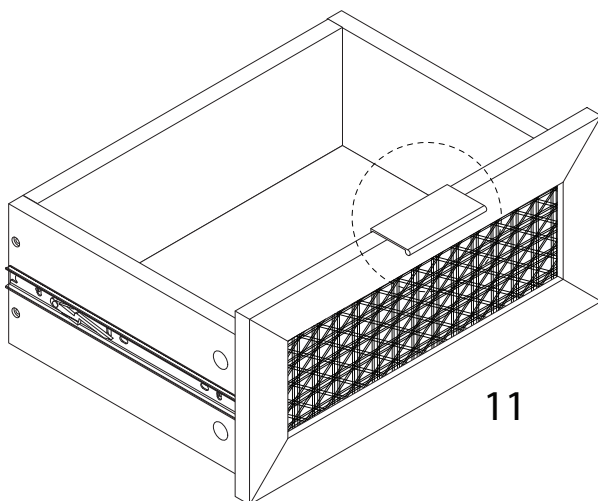


x 2

I

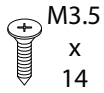


x 1



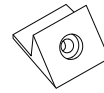
18

H

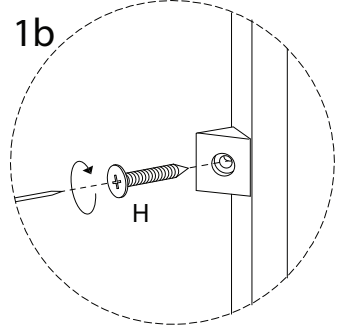
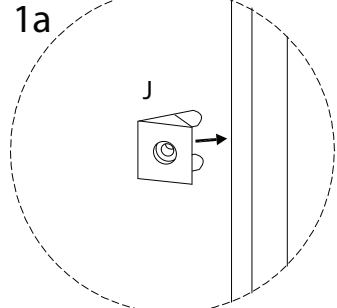
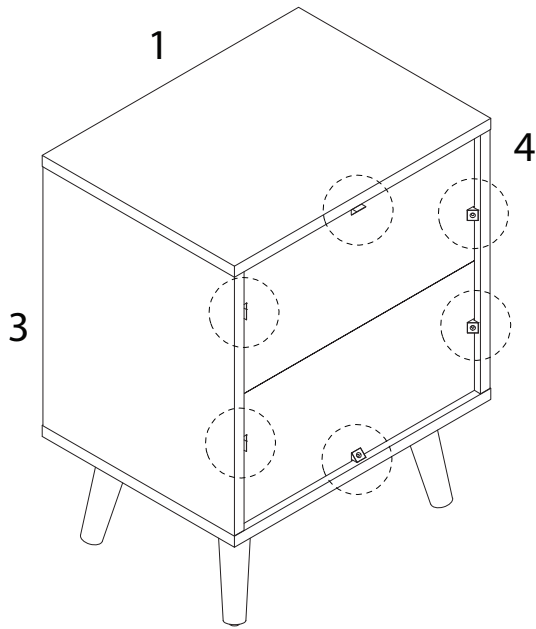


x 6

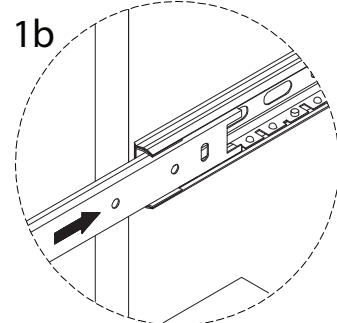
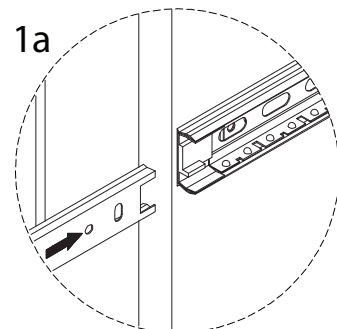
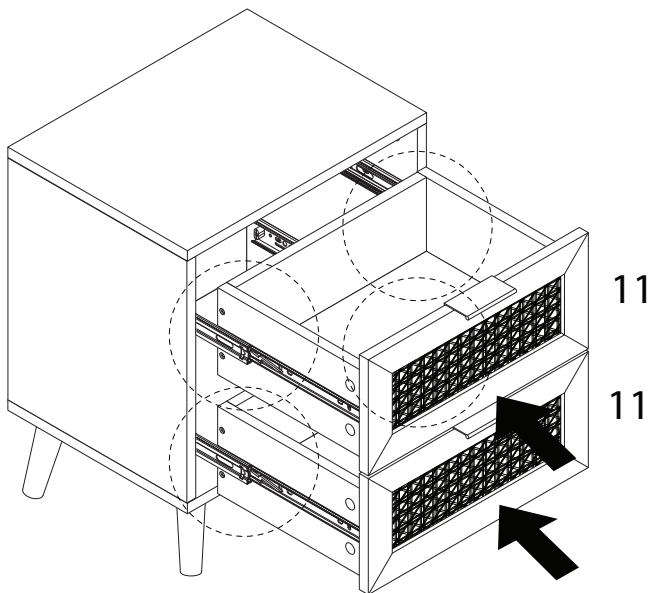
J



x 6



19



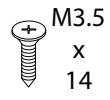
20

G

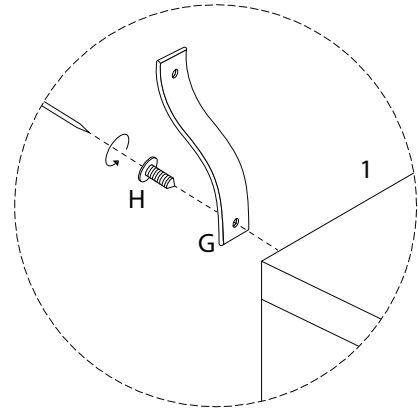
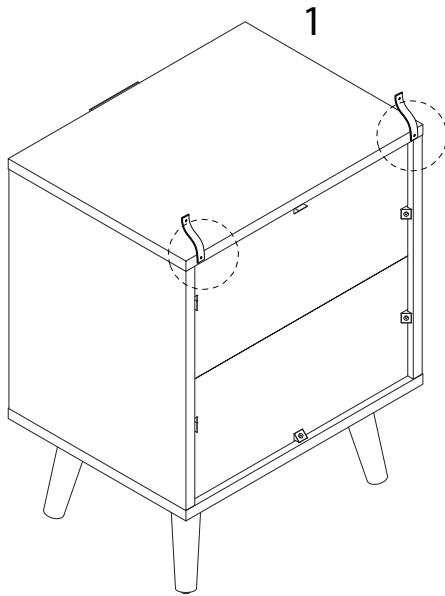


x 2

H



x 2



21

D



x 2

N



x 2

