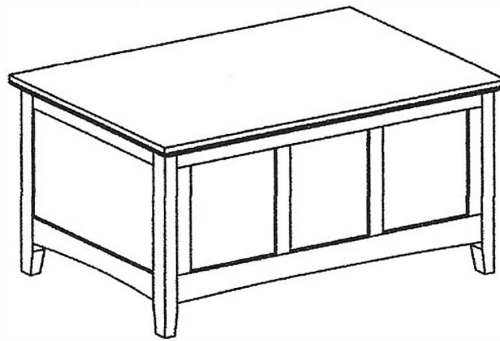





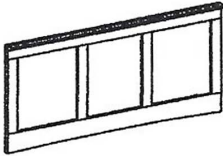
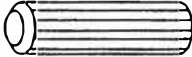
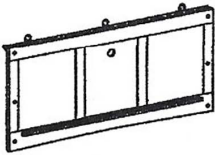


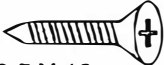


# CHAIR & TABLE COMPANY

## Assembly Instructions



**Thank you for purchasing a Table Company product. This product has been designed for easy assembly and is constructed for durability. Please take the time to read and follow the assembly instructions carefully. If a part or hardware is missing or you have any difficulties in assembling this product, please contact us.**



| PARTS LIST |   |      | HARDWARE LIST |   |       |
|------------|---|------|---------------|---|-------|
| 1          | <br>Side Frame    | 2pcs | A             |  <br>Hexing (Bolt) | 12set |
| 2          | <br>Front Frame  | 1pc  | B             | <br>M8 X 30mm Wood Dowel   | 12pcs |
| 3          | <br>Back Frame   | 1pc  | C             | <br>Safety Hinges   | 2pcs  |
| 4          | <br>Top Panel    | 1pc  | D             | <br>CIB Screw M3.5 X 16mm  | 25pcs |
| 5          | <br>Bottom Panel | 1pc  | E             | <br>CIB Screw M4 X 25mm   | 10pcs |

**IMPORTANT NOTE:**

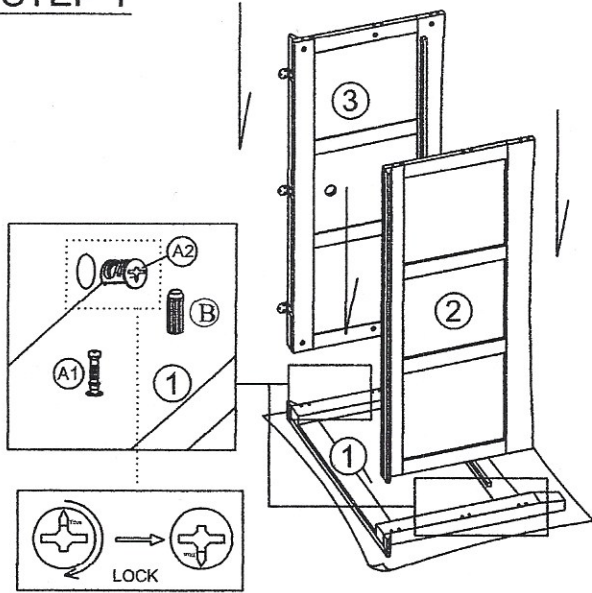
Place all wooden part on a clean and smooth surface such as a rug or carpet to avoid the parts from being scratched.

\*Check to be sure that you have all part and hardware. Remove all wrapping materials, including stapies & packing straps before you start to assemble. Do not tighten all screws/ bolts until all completely assembled.

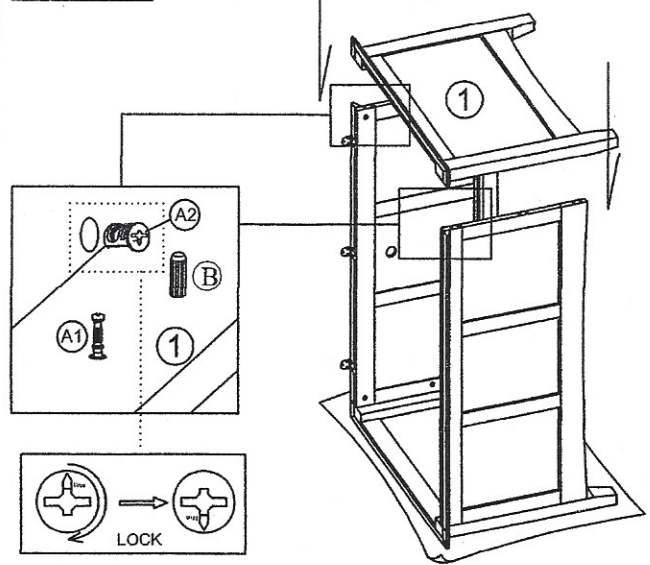
\*Keep all hardware part out of reach of children.

**\*DO NOT TIGHTEN BOLTS/SCREWS UNTIL ALL COMPLETELY ASSEMBLED.**

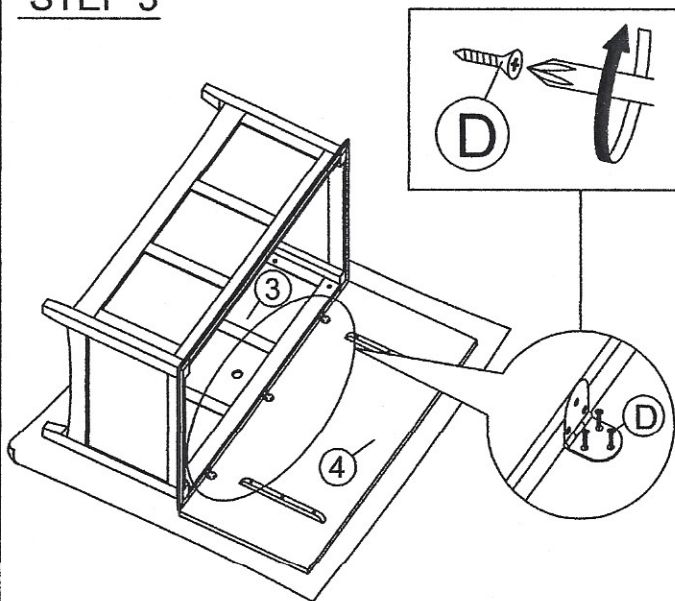
**STEP 1**



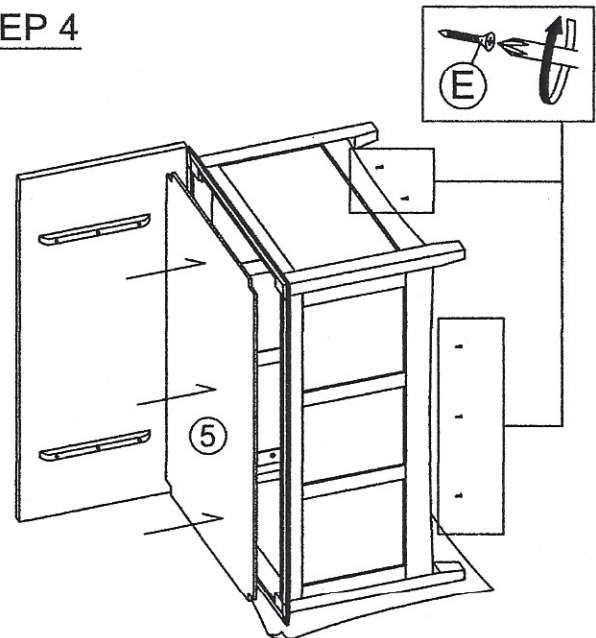
**STEP 2**



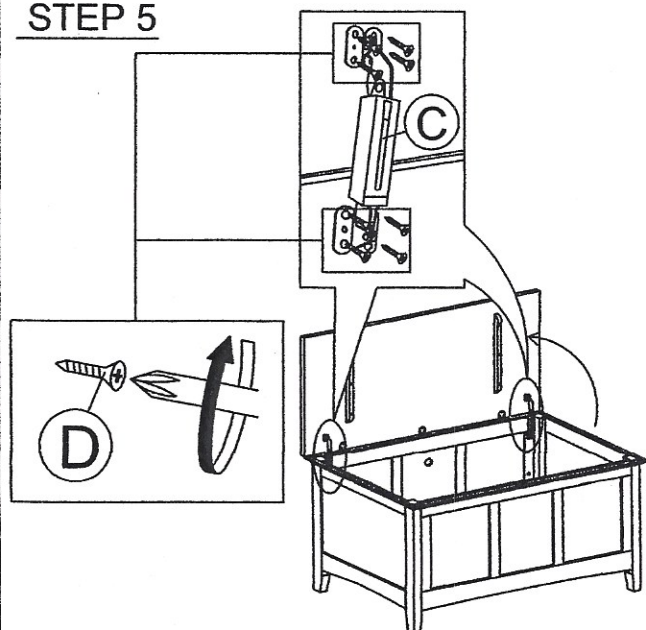
**STEP 3**



**STEP 4**



**STEP 5**



**STEP 6**

