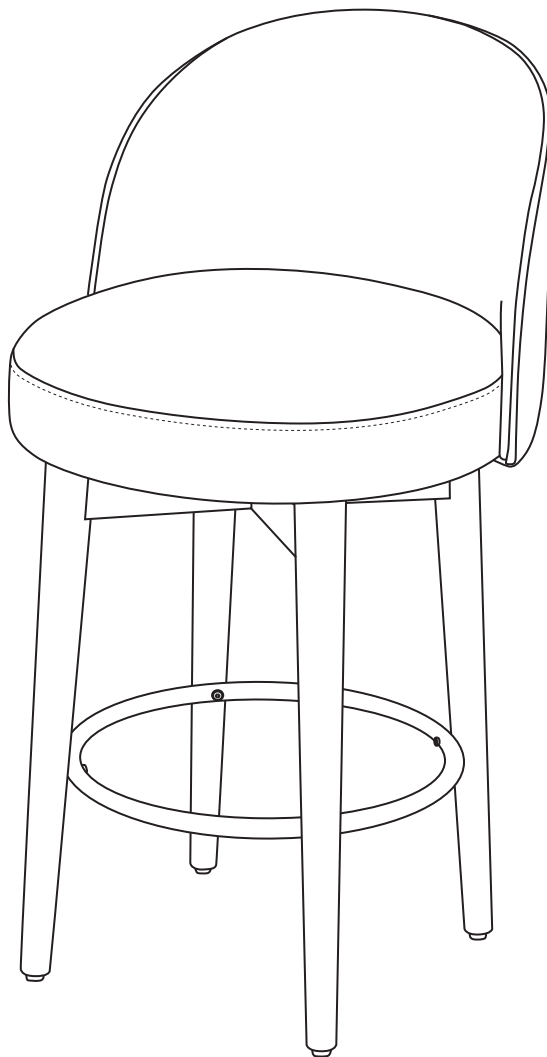


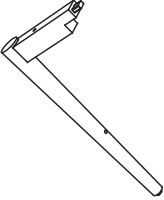
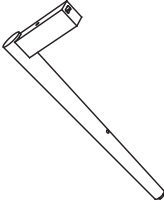
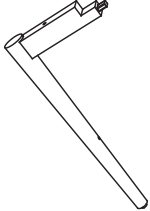
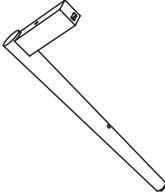
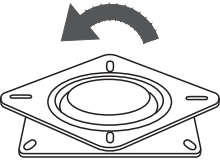
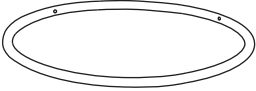
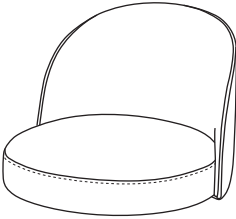

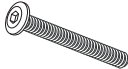
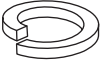
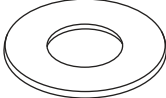
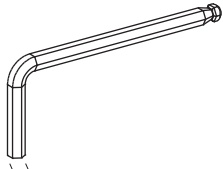
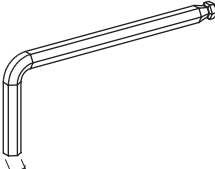
Assembly Manual

Counter & Bar Height Swivel Stool



⚠ CAUTION

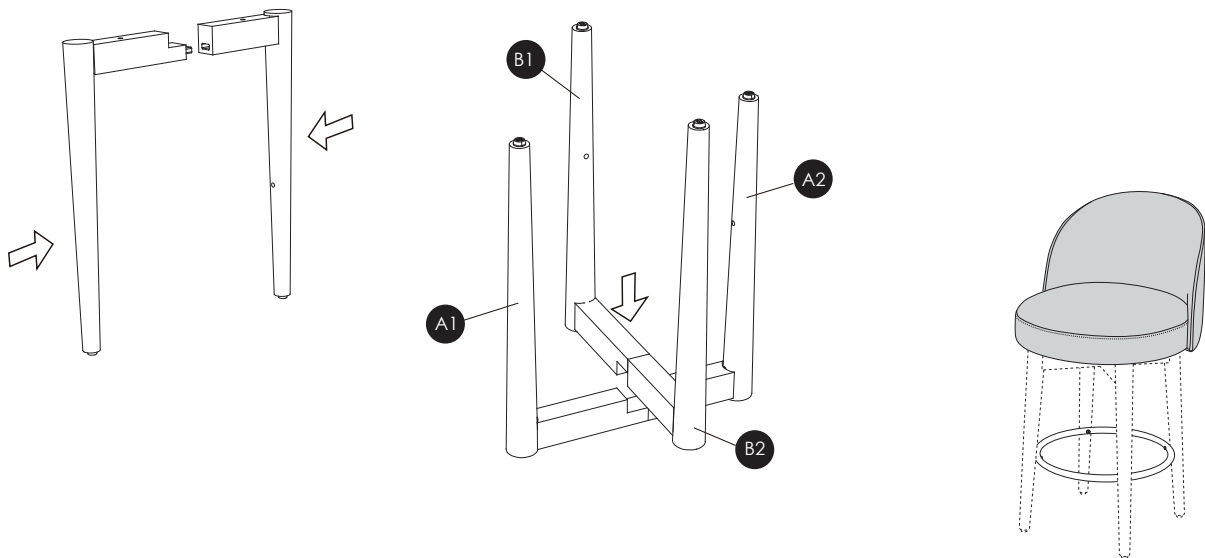
THIS ASSEMBLY MANUAL CONTAINS IMPORTANT SAFETY INFORMATION.
PLEASE READ AND KEEP FOR FUTURE REFERENCE.

<p>A1×1</p> 	<p>A2×1</p> 	<p>B1×1</p> 
<p>B2×1</p> 	<p>C×1</p> 	<p>D×1</p> 
<p>E×1</p> 	<p>H1×8</p>  <p>M6x25mm</p>	<p>H2×4</p>  <p>M6x40mm</p>
<p>H3×8</p>  <p>M6mm</p>	<p>H4×8</p>  <p>φ6xφ18x1.5mm</p>	<p>T1×1</p>  <p>5mm</p>
<p>T2×1</p>  <p>4mm</p>		

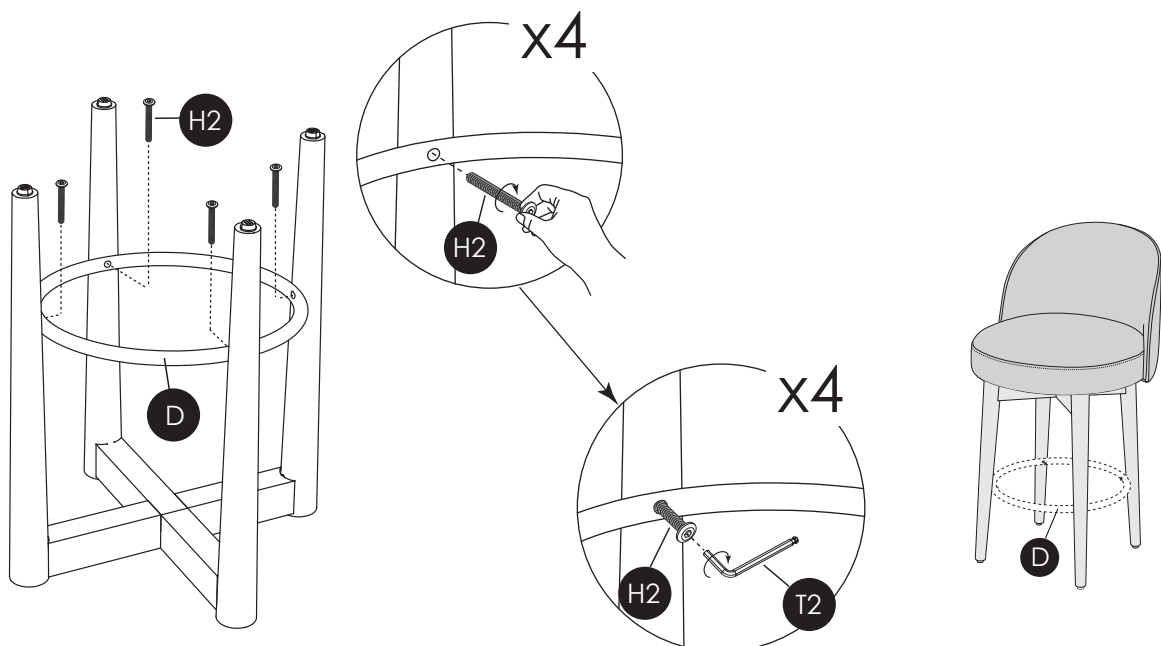
Please read through the instructions below to familiarize yourself with the parts and steps before assembly.

ASSEMBLY INSTRUCTIONS

- 1 Connect Leg (A1) and Leg (A2), Leg (B1) and Leg (B2) together to get the stool base.

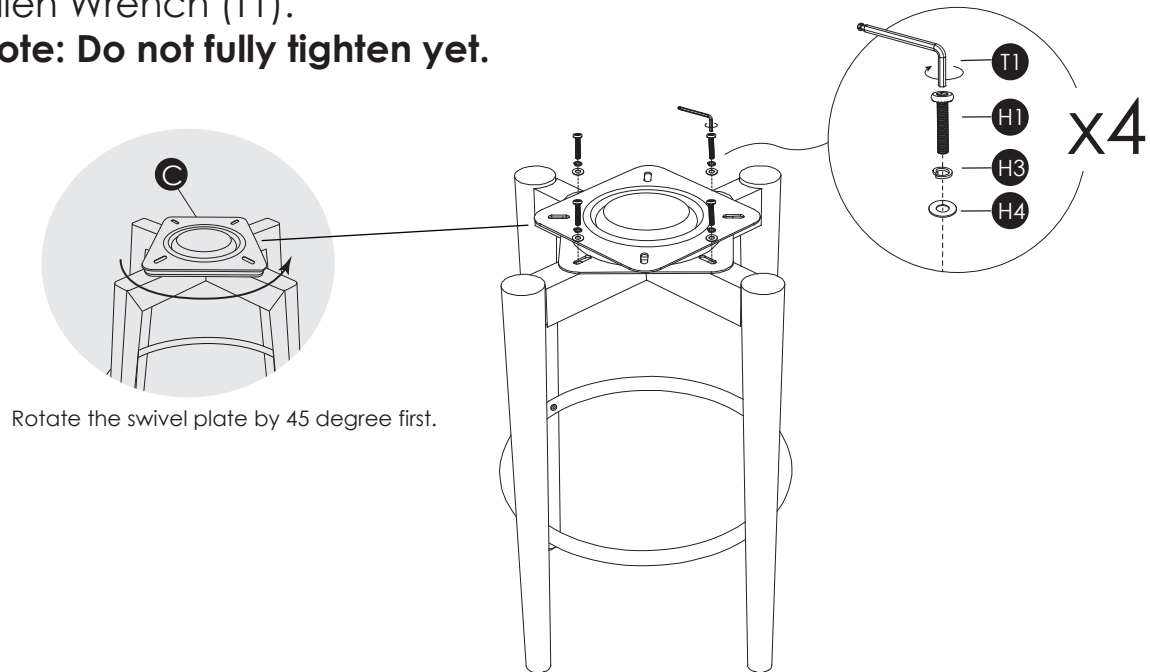


- 2 Attach Foot Ring (D) to assembled stool base in Step 1. **Loosely** attach the Bolts (H2) one by one and **keep them loose. Do not fully tighten.** After loosely attach the first bolt, move on to the diagonal bolt. After all 4 bolts are attached, use Allen Wrench (T2) to tighten. **Note: Do NOT use power tools for assembly.**

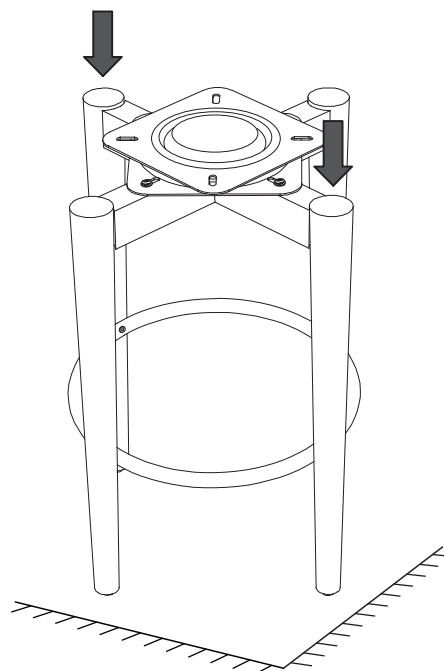


- 3** Flip over the stool base. Attach Swivel Plate (C) to assembled stool base in Step 2, using short Bolts (H1), Lock Washers (H3), Flat Washers (H4) and Allen Wrench (T1).

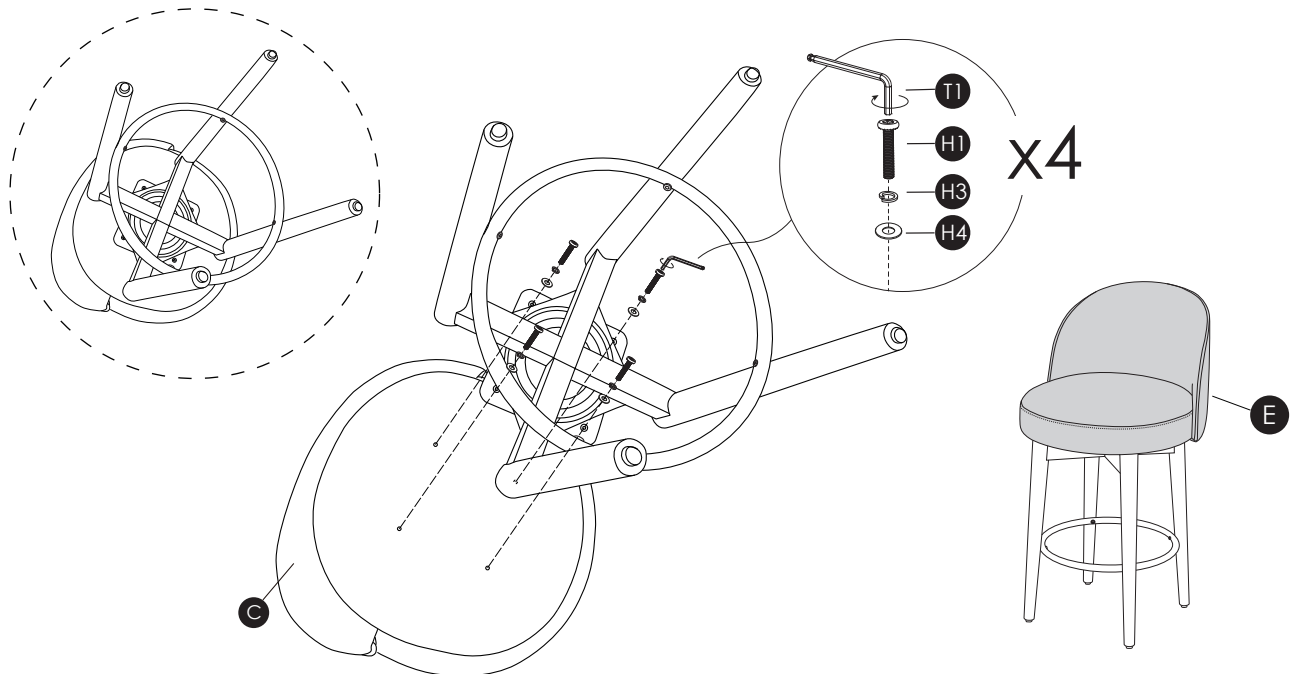
Note: Do not fully tighten yet.



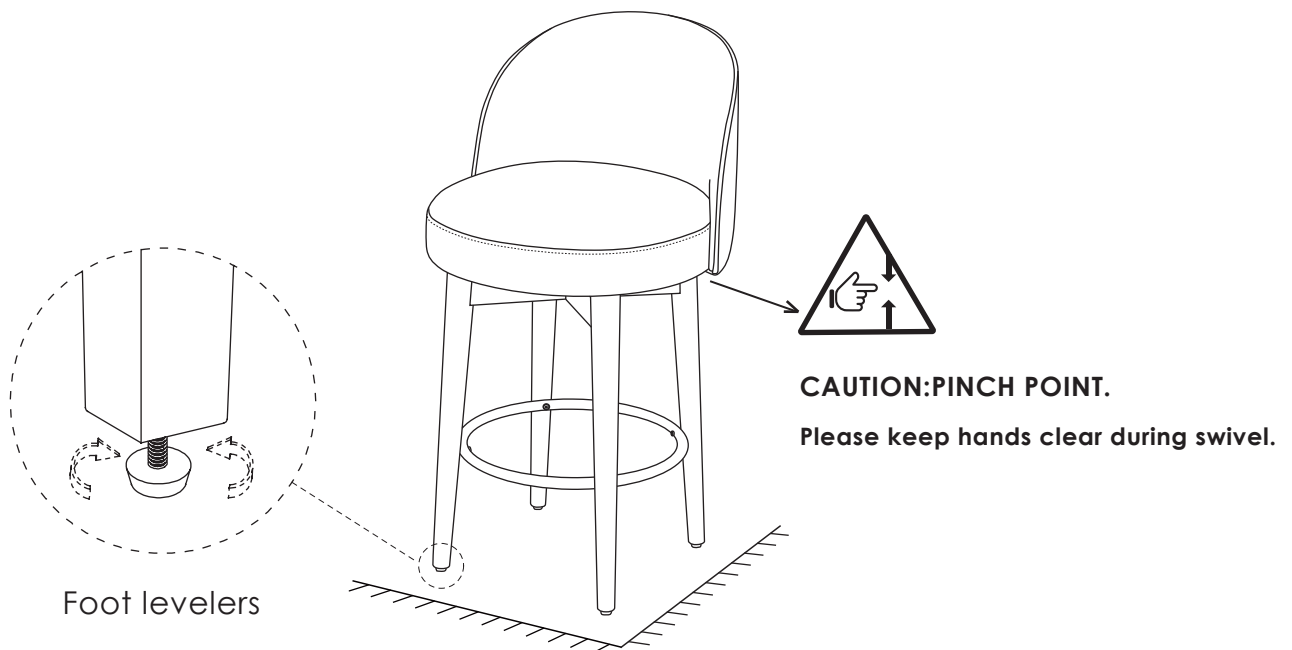
- 4** Put assembled stool base in Step 3 on a flat surface. Push legs up or down as necessary to level. Once level, **fully tighten all bolts.**



- 5** Attach the assembled stool base in Step 4 to the Seat Bucket (E), using short Bolts (H1), Lock Washers (H3), Flat Washers (H4) and Allen Wrench (T1). **Fully tighten all bolts.**



- 6** Assembly complete. Enjoy.
Note: Each leg has an adjustable foot leveler to help level your chair.



PRODUCT WARRANTY

- 1-year limited on cover against splitting, peeling, and/or tearing.
- 1-year limited on internal and external frame structure.
- 1-year limited on cushioning material, seat springs and mechanism.

CARE & MAINTENANCE

Water Based Cleaner 'W': Spot clean using the foam only from a water-based cleaning agent such as a mild detergent or non-solvent upholstery shampoo product. Apply foam with a soft in circular motion.

Vaccum when dry.

Do not place furniture in direct sunlight and keep furniture at least 60 cm / 2 feet from heat sources to avoid fading