

WIDE TV STAND



No tools required.

Assembly Instructions

CONGRATULATIONS - You've purchased a fine furniture item .

We have designed our furniture with you, the customer in mind. Our clear, easy to follow, step by step instructions will guide you through the project from start to finish.

Feel confident that this will be a fun and rewarding project. The final product will be a quality piece of furniture that will go together smoothly and give years of enjoyment.



Please do not return to the store

- . Broken or Missing Hardware?
- . Need help with Assembly?

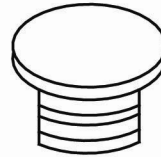
HOLDS UP TO 42" TV MAXIMUM WEIGHT 85 LBS.

Hardware Identification

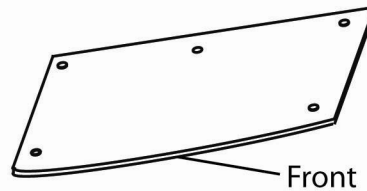
For ease of identification all hardware is organized into separate Hardware Packs for each Step in the Instruction Manual.

Hardware Pack

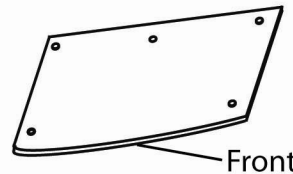
(A) End Caps X 5



(B) 42" Shelves X 2



(C) 30" Shelves X 1



(D) 11-1/2" Metal Poles X 5



(E) 7-7/8" Metal Poles X 5



(F) Plastic Feet X 5



(G) Cable Tie X 2

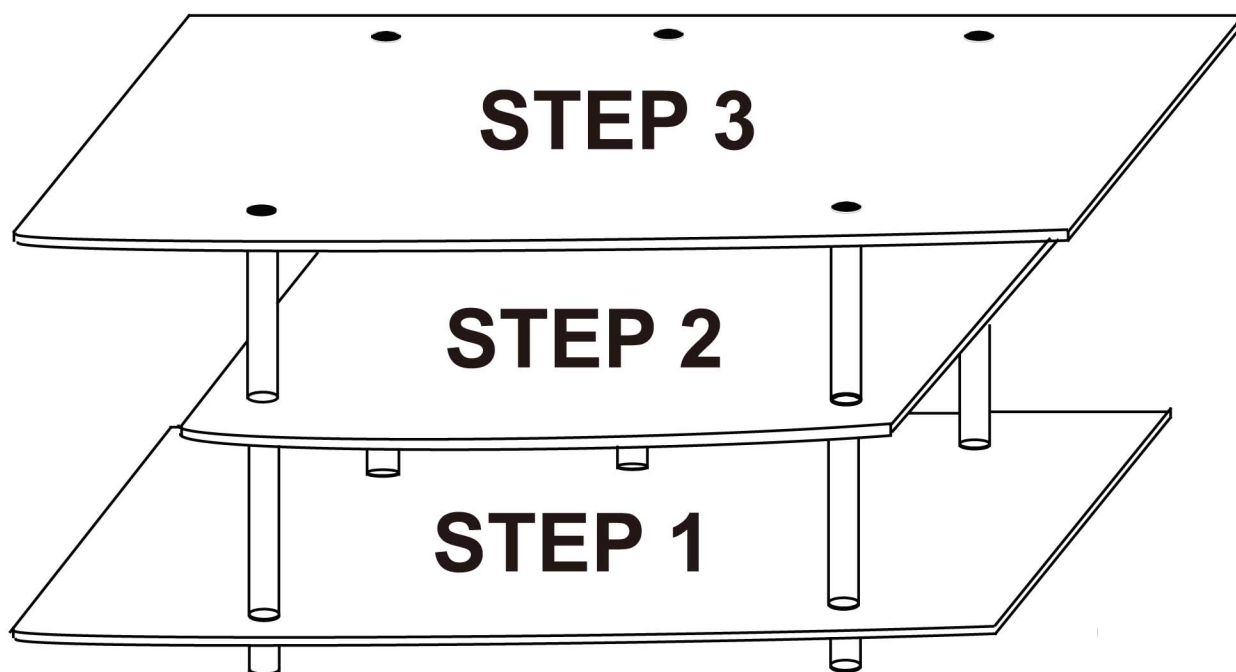


(H) Eyelet Screw X 2



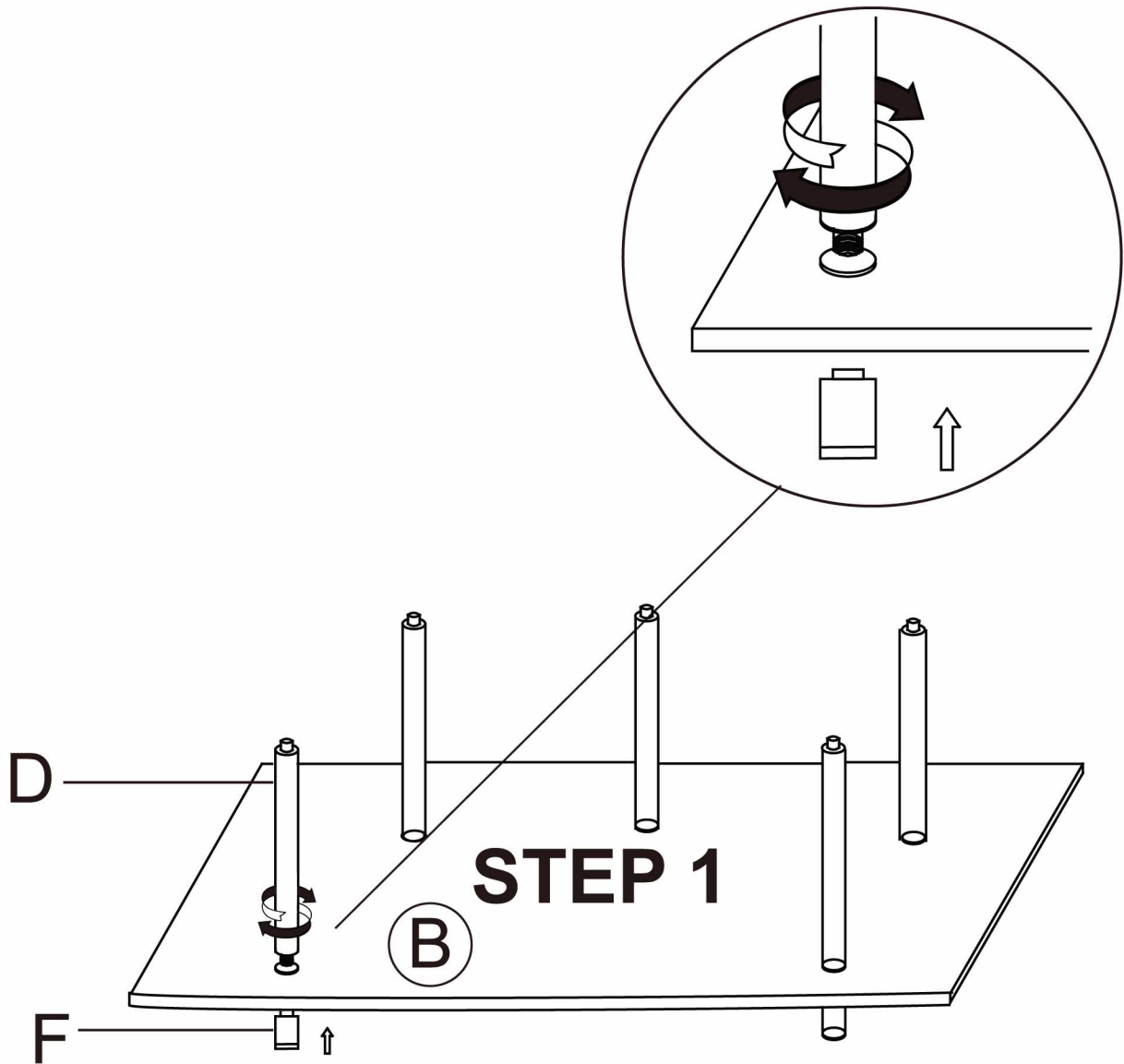
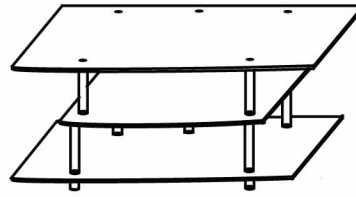
Item Identification

For ease of identification all parts are labeled to correspond to the Step number in which the part is used.



STEP #1
SHELF ASSEMBLY
Shelf 1

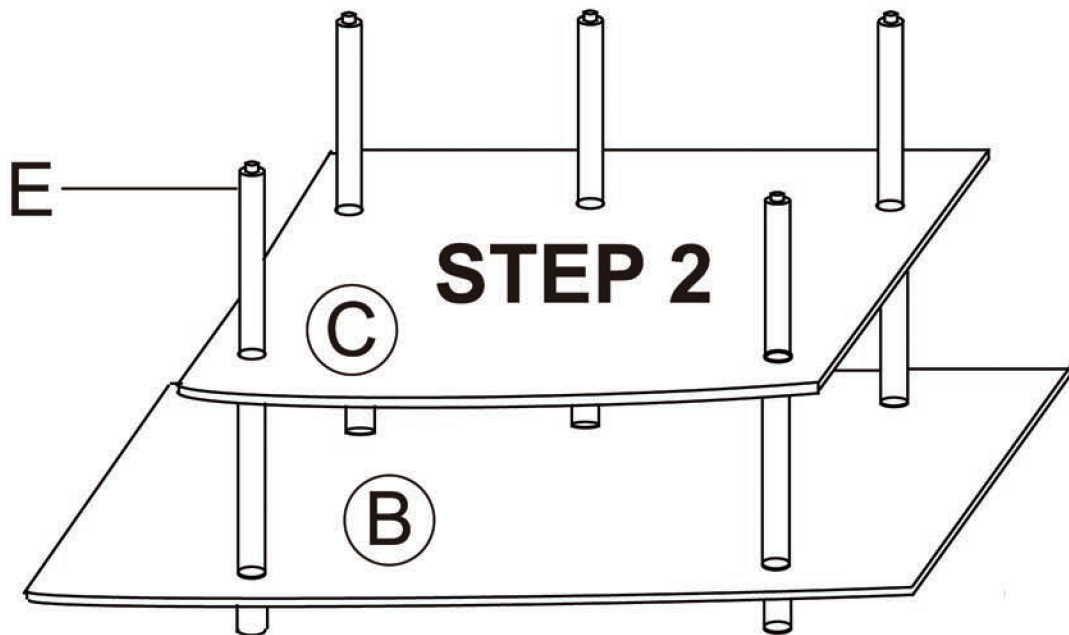
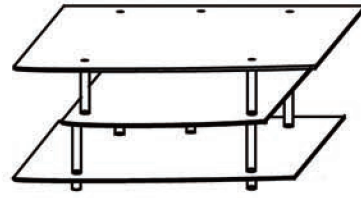
Hardware Pack 1



- (1) Place Shelf (B) over Plastic Feet (F).
- (2) Gently screw Longer Poles (D) into Feet (F) using care not to over tighten.

STEP #2
SHELF ASSEMBLY
Shelf 2

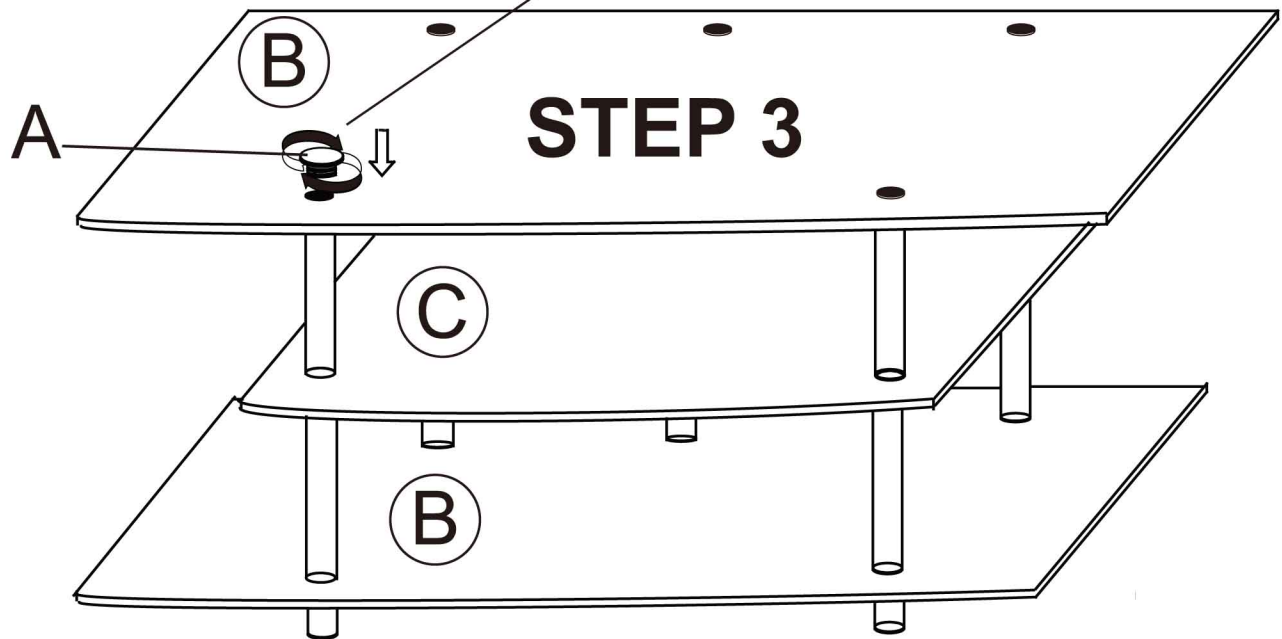
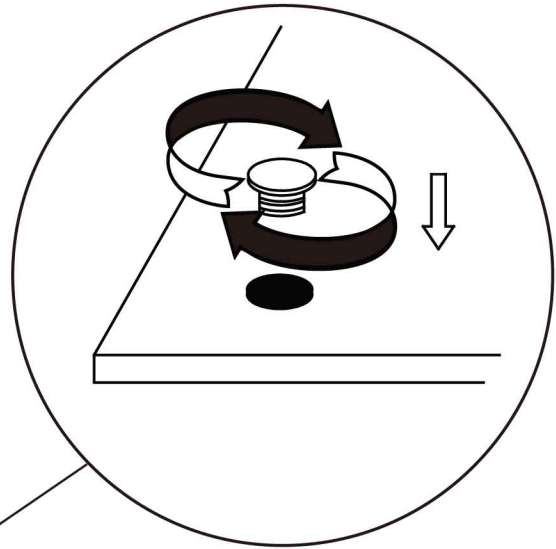
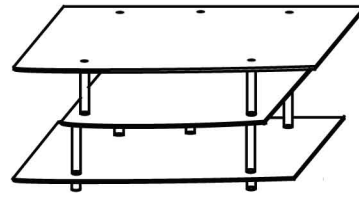
Hardware Pack 1



- (1) Place Smaller Shelf (C) over Longer Poles (D).
- (2) Gently screw Shorter Poles (E) into unit, using care not to overtighten.

STEP #3
SHELF ASSEMBLY
Shelf 3

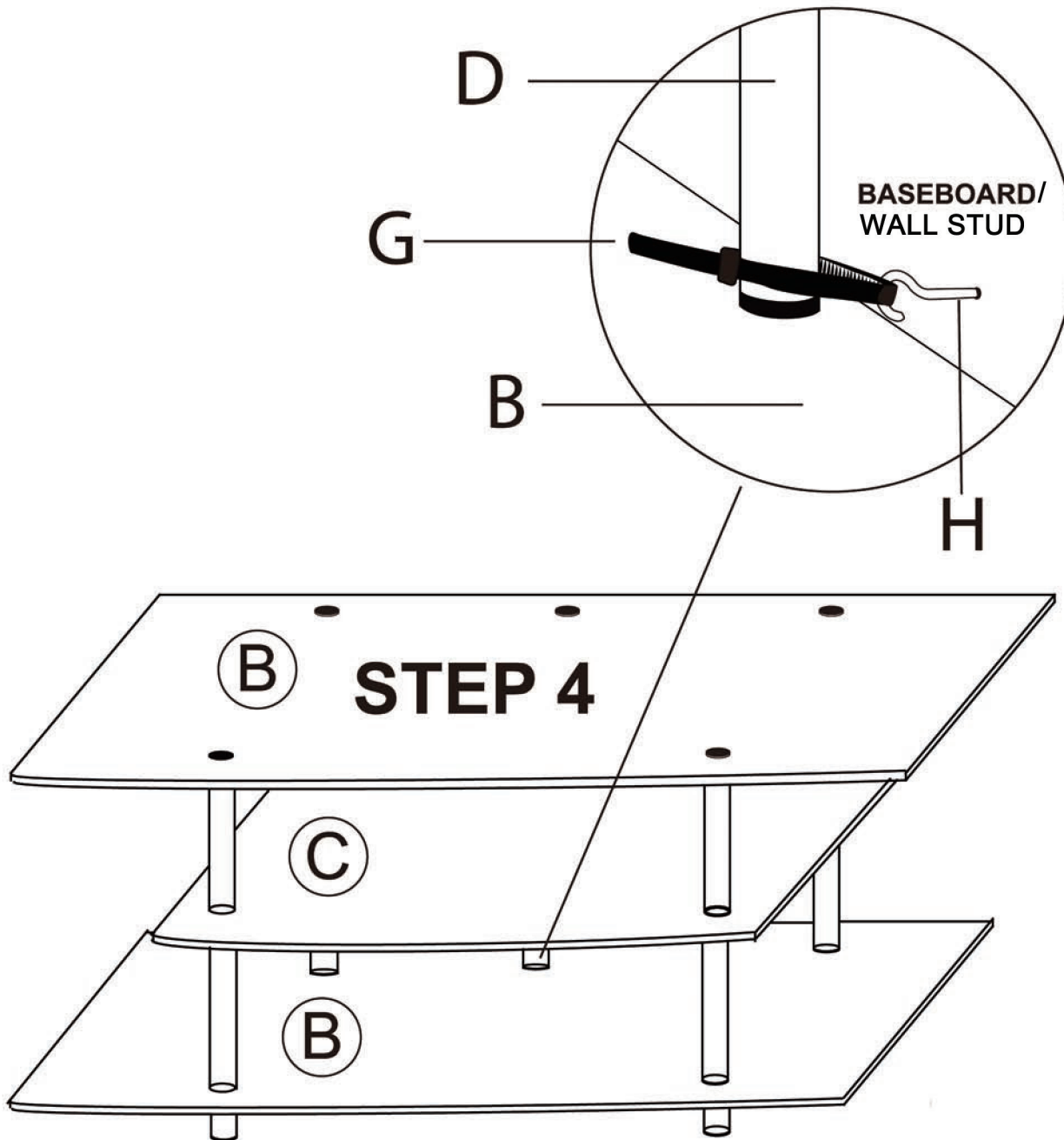
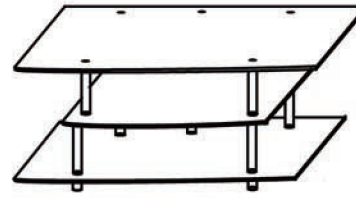
Hardware Pack 1



- (1) Place Larger Shelf (B) onto existing poles.
- (2) Attach End Caps (A) to unit by turning in a clockwise direction.

STEP #4
CABLE AND SCREW
SUPPORT

Hardware Pack 1



- (1) Install Eyelet Screws (H) into baseboard or wall stud.
- (2) Attach unit to Eyelet Screws (H) using Cable Ties (G).