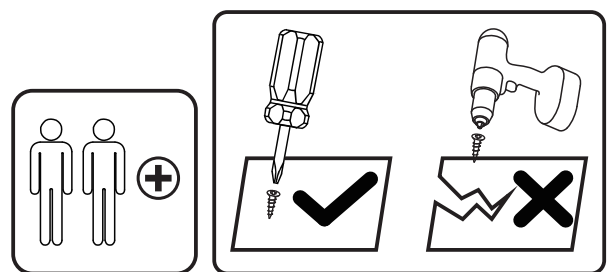


# ASSEMBLY INSTRUCTIONS



## Tools Recommended

THIS INSTRUCTIONS CONTAINS IMPORTANT SAFETY INFORMATION.  
PLEASE READ BEFORE ASSEMBLY AND KEEP FOR FUTURE REFERENCE.

# IMPORTANT NOTICE

-This product contains small components, please ensure that they are kept away from small children.

-THIS INSTRUCTIONS CONTAINS IMPORTANT SAFETY INFORMATION.  
PLEASE READ BEFORE ASSEMBLY AND KEEP FOR FUTURE REFERENCE.

-Read each step carefully. It is very important that each step of instruction is performed in the correct order. If these steps are not followed in sequence, assembly difficulties will occur.

-Make sure all parts are included. Most parts are labelled or stamped on the raw edge.

-Work in spacious area, preferably on a carpet, near the place the unit will be used.

-Do not use power tools to assemble your furniture. Power tools may strip or damage the parts.

-Move your new furniture carefully, with two people lift and carry the unit to it's new location.




-Never push, drag or pull your furniture (especially on carpet)

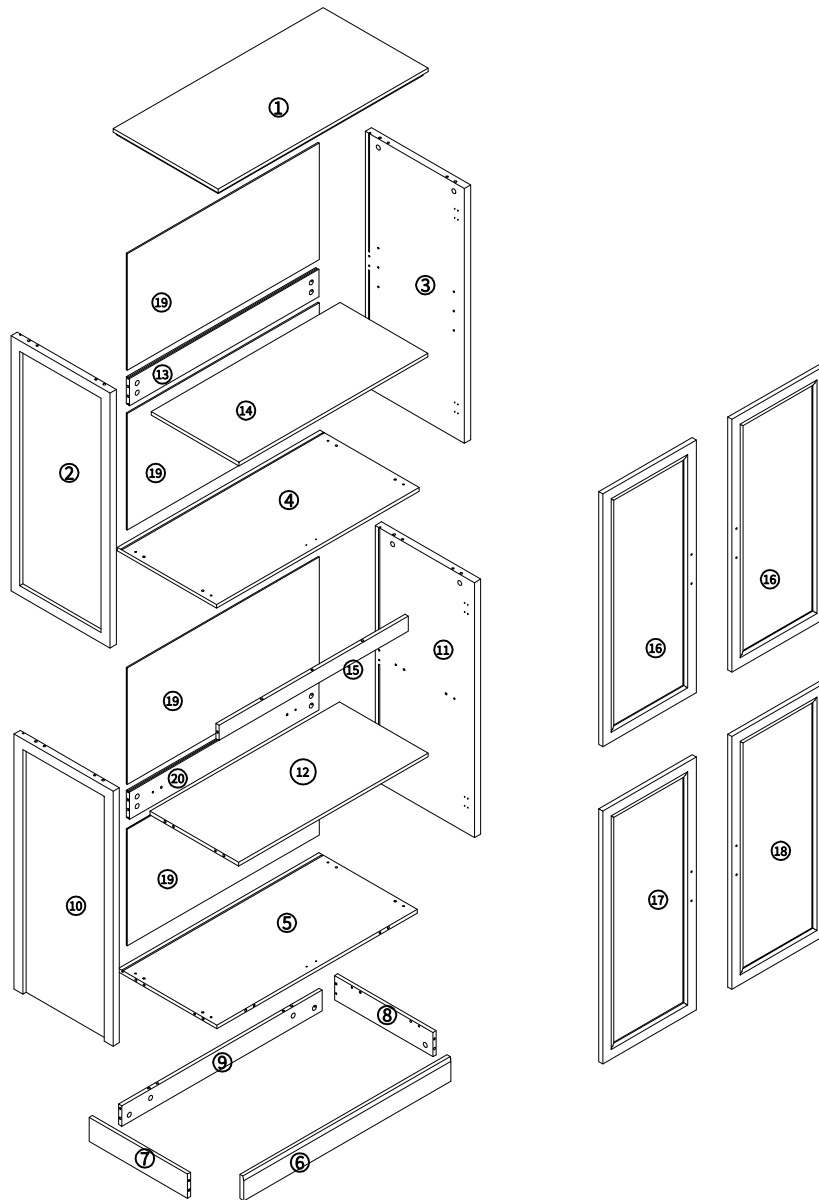


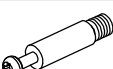






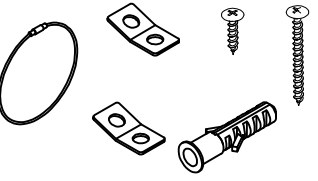










## PLEASE DO NOT RETURN PRODUCT TO US IMMEDIATELY

If a part is missing or damaged, email our customer service.  
We will gladly ship your replacement parts FREE of charge.

For Prompt, reliable service, please have your assemble instruction ready

 <b>WARNING</b>	
	<b>Children have died from furniture tipover. To reduce the risk of furniture tipover:</b> <ul style="list-style-type: none"><li>- ALWAYS install Anti-tip device provided.</li><li>- NEVER put a TV on this product.</li><li>- NEVER allow children to stand, climb or hang on any drawers, doors, or shelves.</li><li>- NEVER open more than one drawer at a time.</li><li>- Place heaviest items in the lowest drawers.</li></ul>
	<i>This is a permanent label. Do not remove!</i>

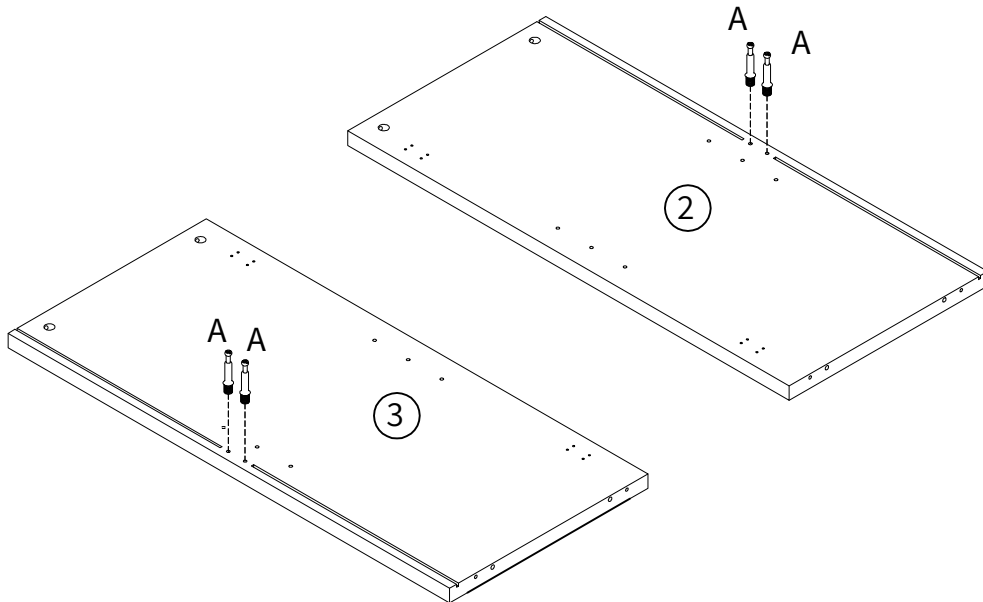


<b>Ax36</b>  M6*35 mm	<b>Bx36</b>  Ø15*10 mm	<b>Cx27</b>  Ø6*30 mm	<b>Dx10</b>  Ø8*M4*35 mm	<b>Ex6</b>  Ø6.5*M3*12MM	<b>Fx4</b>  Curved cam bolt	<b>Gx8</b>  f 9*M4*20MM
<b>Hx2</b> 	<b>Ix16</b>  15*13*10mm	<b>Jx22</b>  f 6.5*M3*16MM	<b>Kx4</b>  Ø5*9*12MM	<b>Lx48</b>  Ø7.5*M3.5*14MM	<b>Mx8</b> 	
	<b>Nx3</b>  45*16*14MM	<b>Ox6</b>  Ø33*12*1MM	<b>Px2</b>  105*20*3MM	<b>Qx8</b>  f 9*M4*14MM	<b>Rx4</b>  Ø6*50mm	

The installation direction should be aligned with the instructions to prevent plate breakage caused by product tipping during installation.

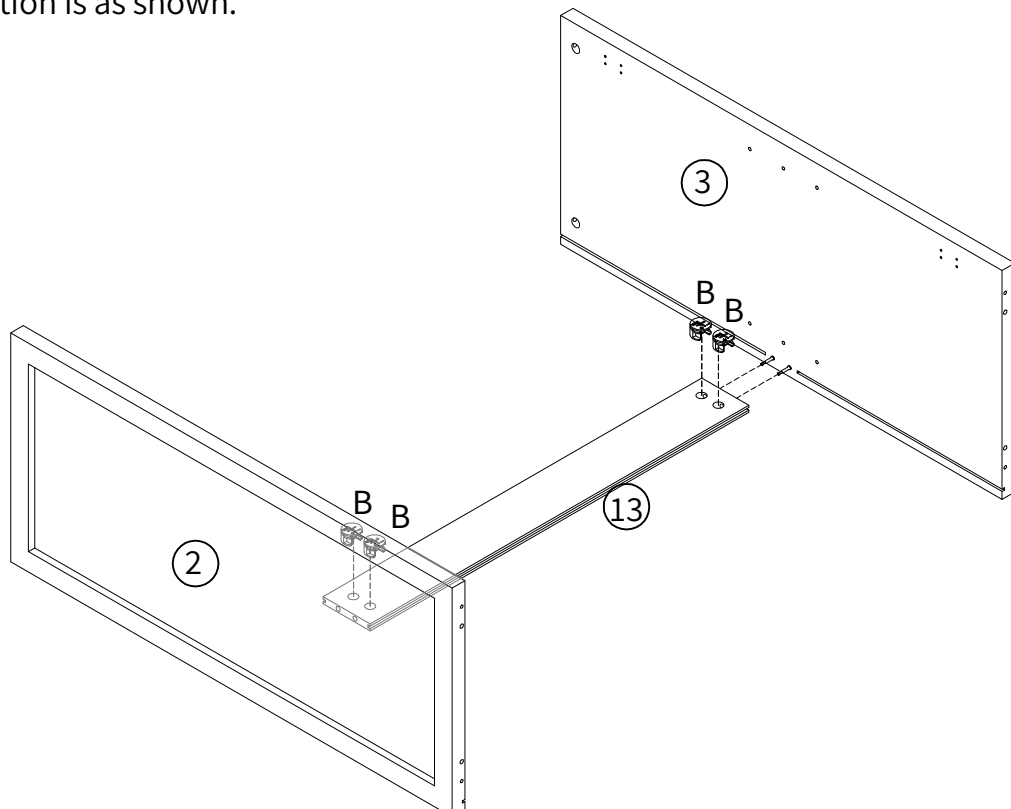
## Step 1

Insert screws(A) into corresponding holes in part ② and ③ as soon.



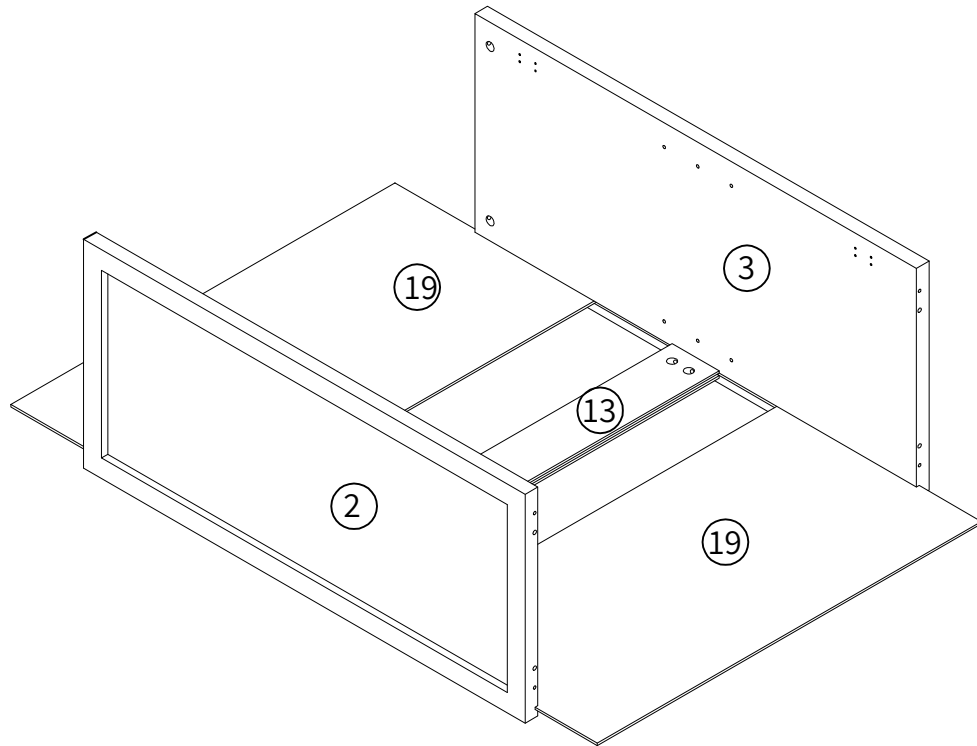
## Step 2

Connect part ②③ to part ⑬ with eccentric wheels (B), put the eccentric wheels (B) into the corresponding holes on part ⑬ and use a screwdriver to turn it clockwise to tighten, the installation position is as shown.



### Step 3

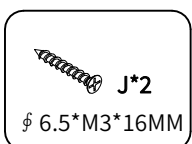
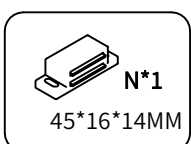
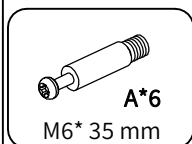
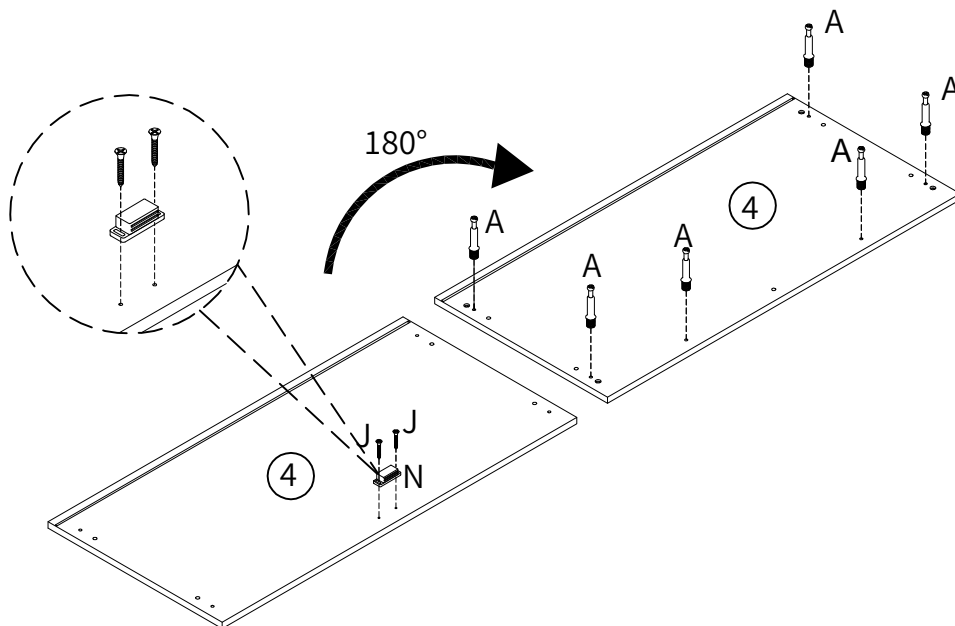
Insert part ⑱ into the corresponding groove of parts ② and ③.



### Step 4

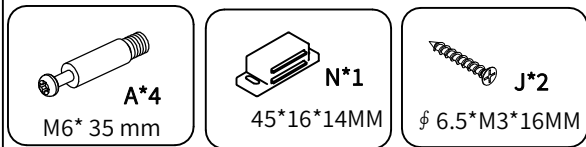
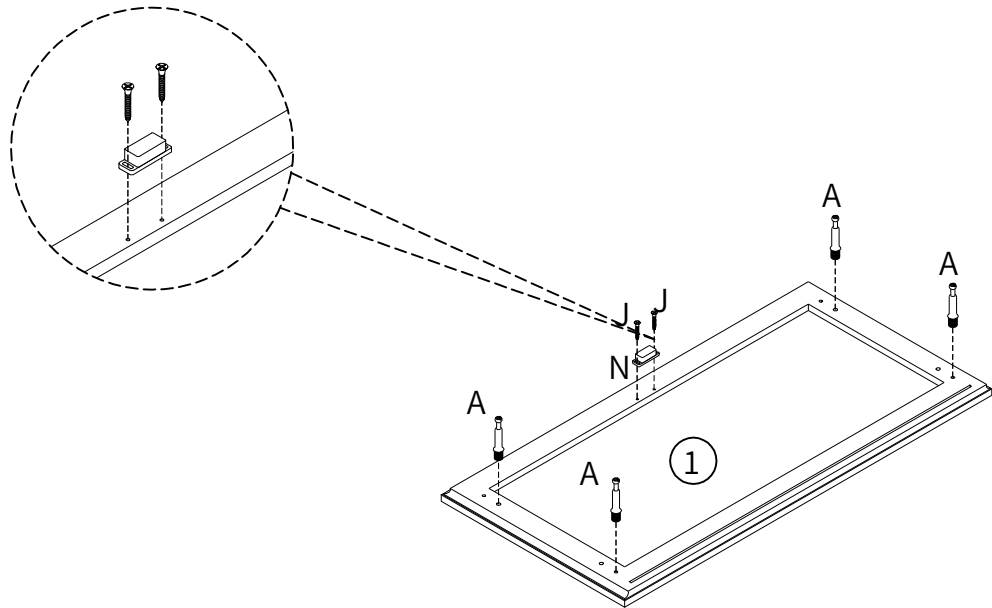
Use self tapping screws (J) to fix magnetic touch (N) on part ④.

Flip part ④ 180°, and insert screws (A) into the corresponding hole on part ④.



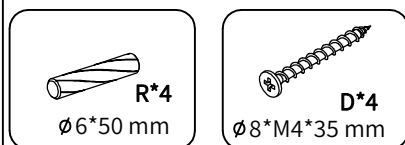
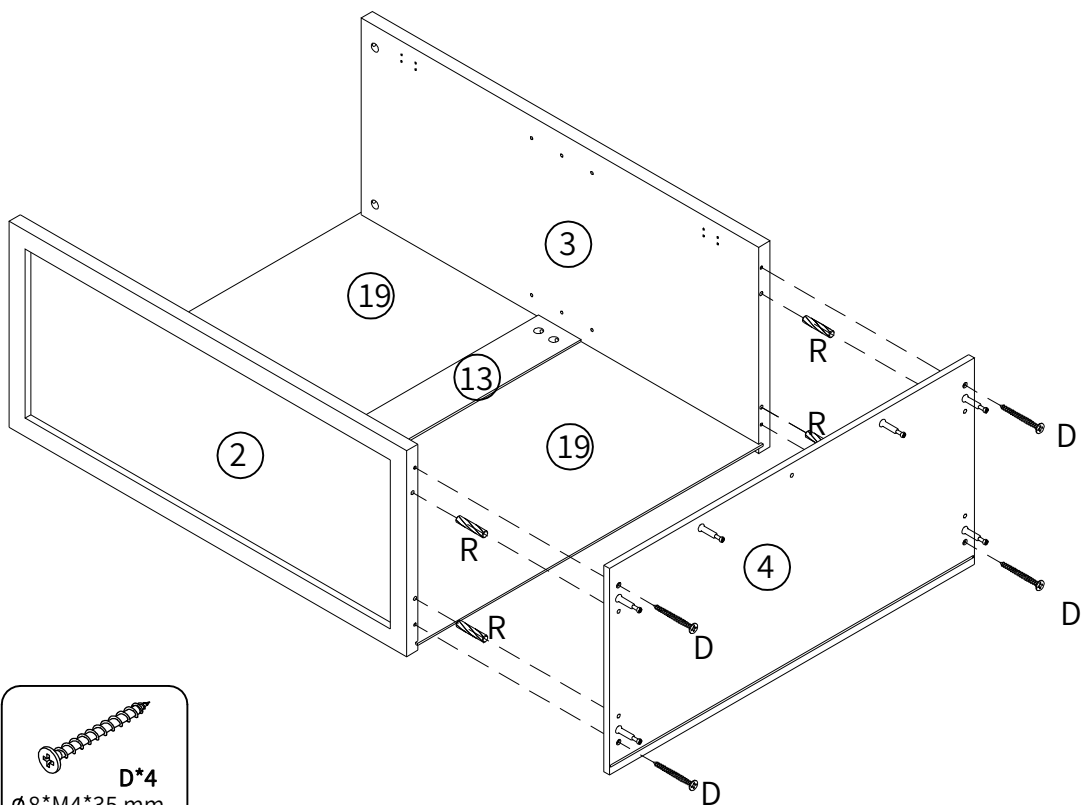
## Step 5

Use self tapping screws (J) to fix magnetic touch (N) on part ①, and insert screws (A) into the corresponding hole on part ①.



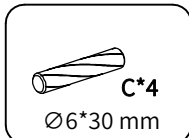
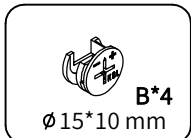
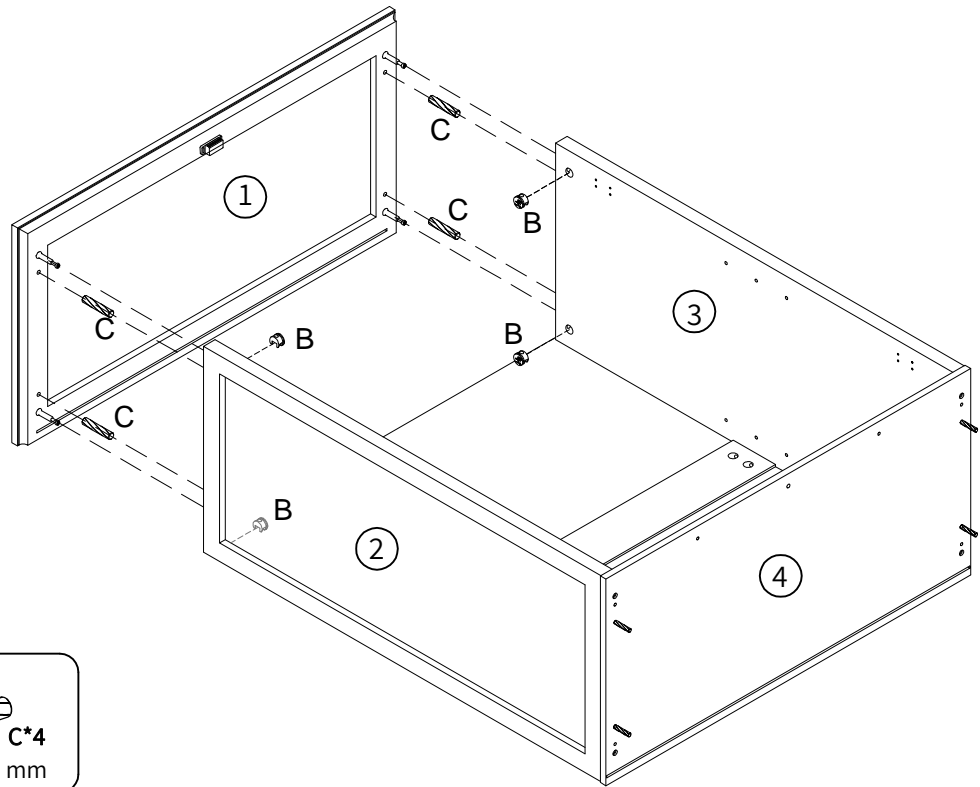
## Step 6

Insert wooden dowel (R) on part ②③, connect part ④ to part ②③ with screw (D).



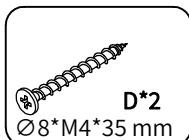
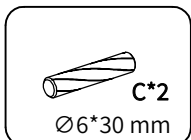
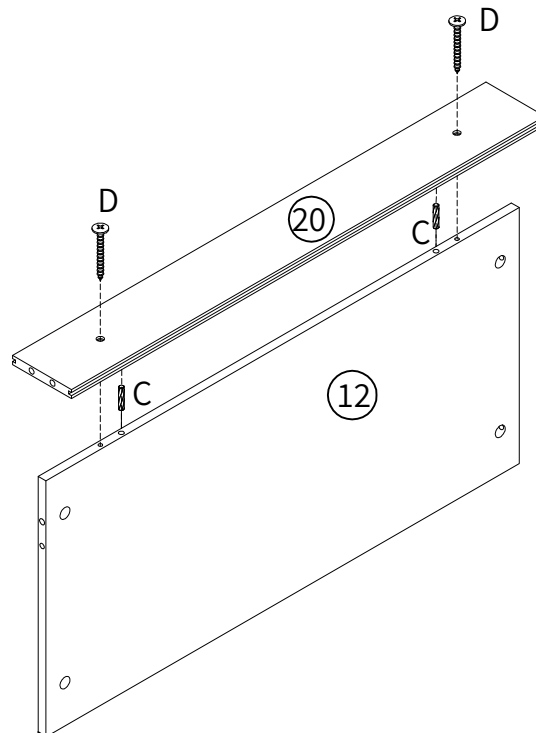
## Step 7

Insert wooden dowel (C) on part ② ③, connect part ① to part ② ③ with eccentric wheels (B), put the eccentric wheels (B) into the corresponding holes on part ② ③ and use a screwdriver to turn it clockwise to tighten, the installation position is as shown.



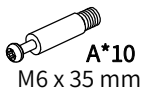
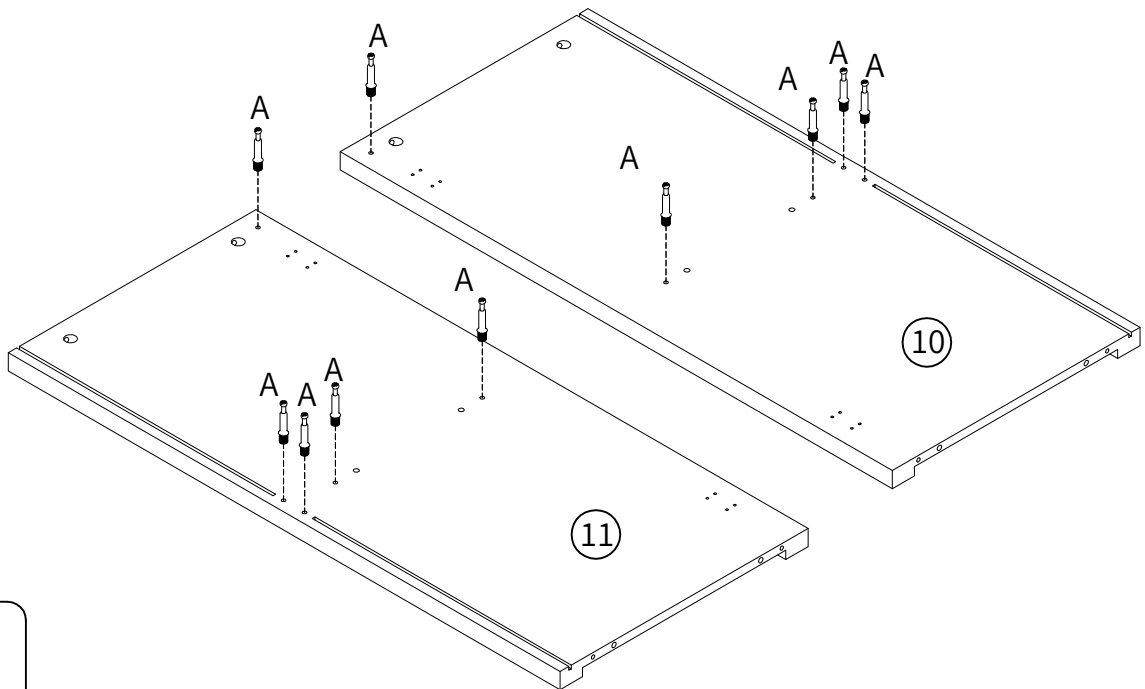
## Step 8

Insert wooden dowel (C) on part ⑫, connect part ⑳ to part ⑫ with screw (D).



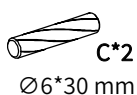
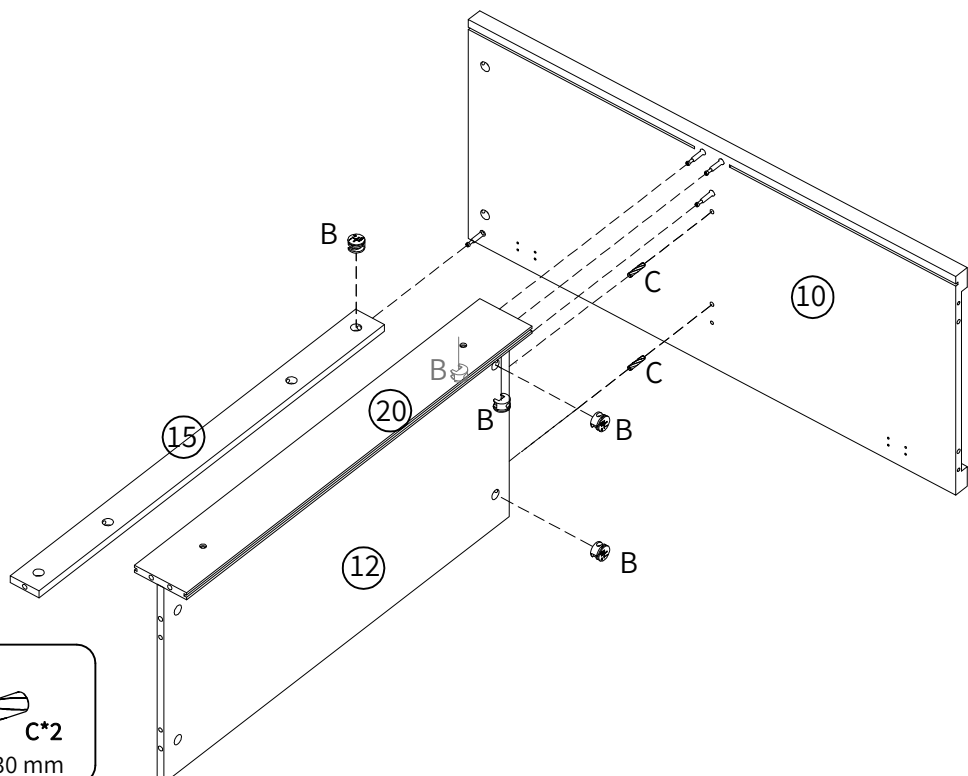
## Step 9

Insert screws(A) into corresponding holes in part ⑩ and ⑪ as soon.



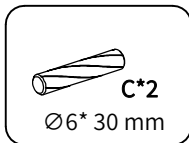
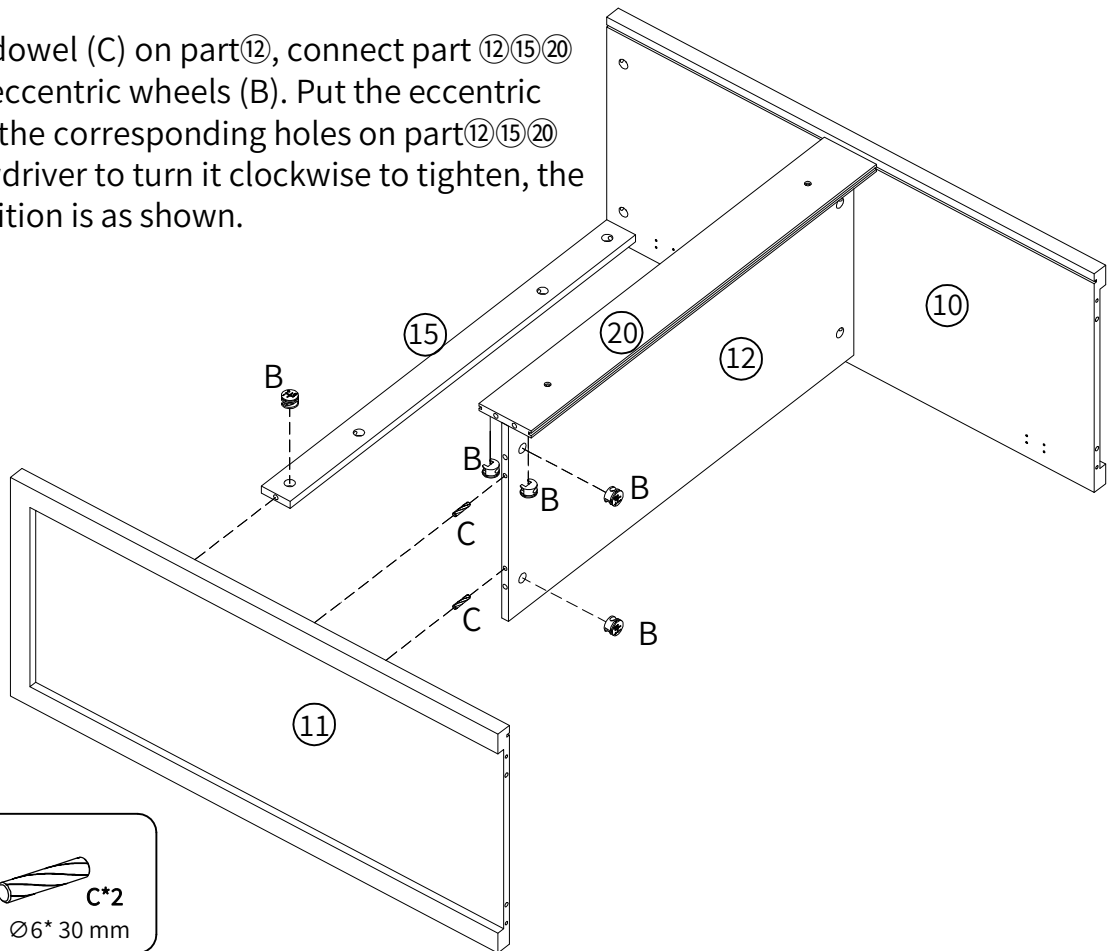
## Step 10

Insert wooden dowel(C) on part ⑫, connect part ⑫⑮⑳ to part ⑩ with eccentric wheels (B). Put the eccentric wheels (B) into the corresponding holes on part ⑫⑮⑳ and use a screwdriver to turn it clockwise to tighten, the installation position is as shown.



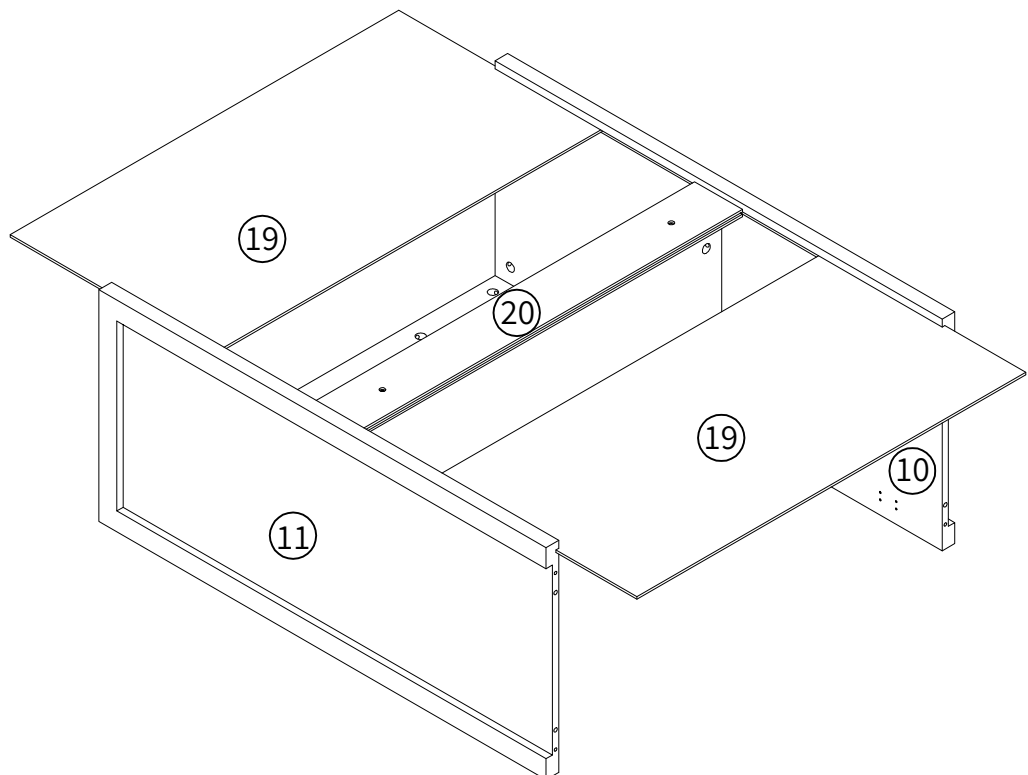
## Step 11

Insert wooden dowel (C) on part ⑫, connect part ⑫⑮⑳ to part ⑪ with eccentric wheels (B). Put the eccentric wheels (B) into the corresponding holes on part ⑫⑮⑳ and use a screwdriver to turn it clockwise to tighten, the installation position is as shown.



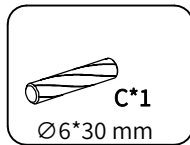
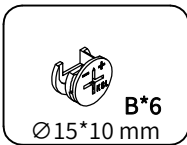
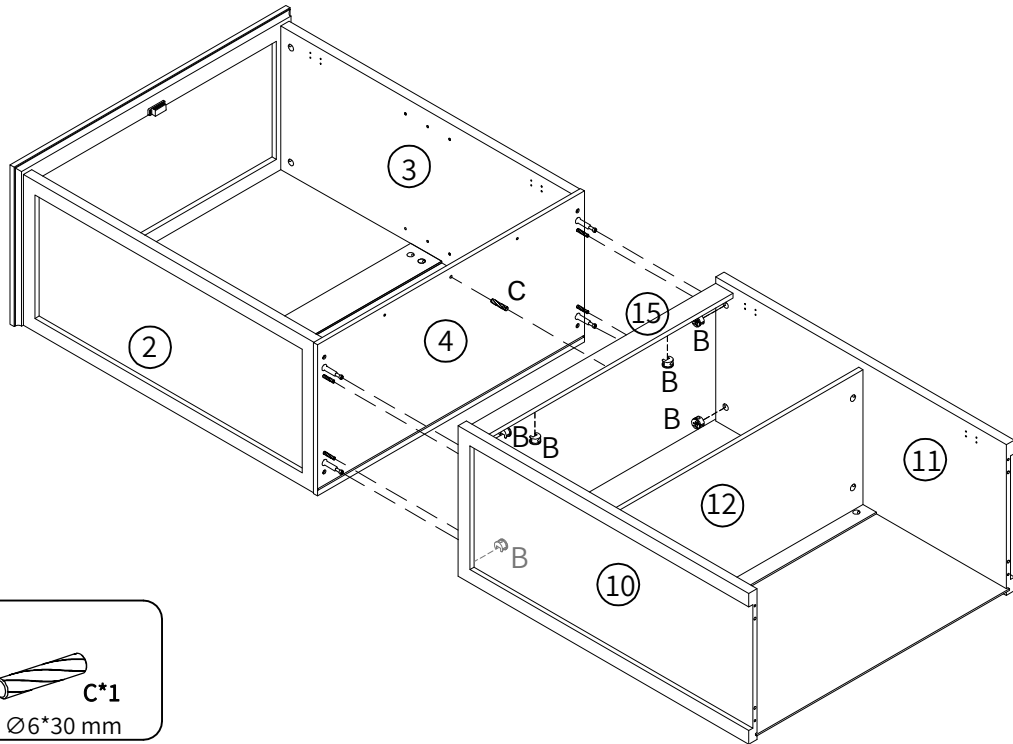
## Step 12

Insert part ⑲ into the corresponding groove of parts ⑩ and ⑪.



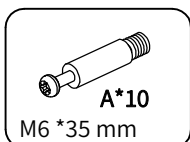
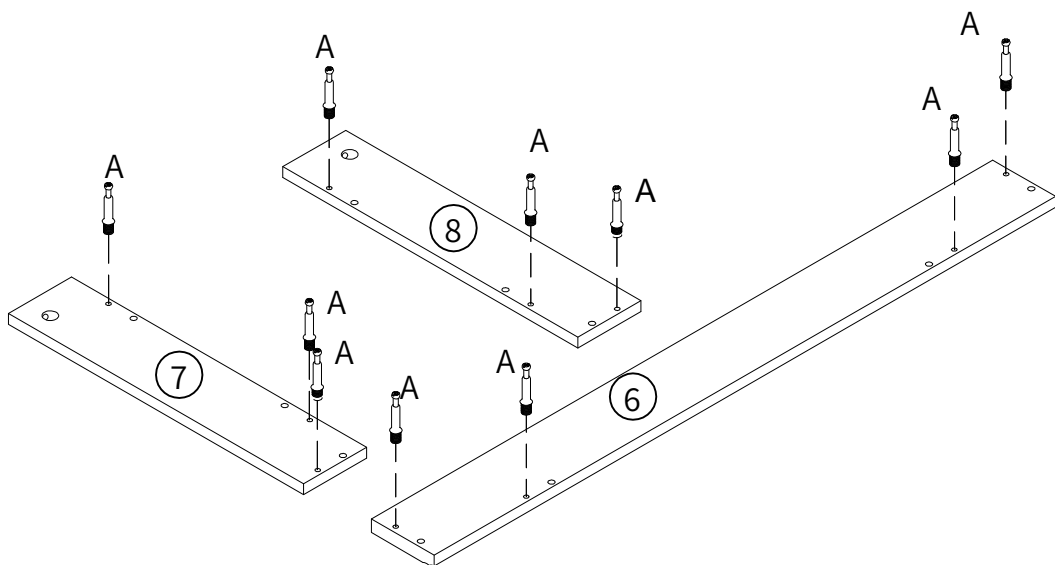
## Step 13

Insert wooden dowel (C) on part ④, connect part ⑩⑪⑮ to part ④ with eccentric wheels (B). Put the eccentric wheels (B) into the corresponding holes on part ⑩ ⑪ ⑮ and use a screwdriver to turn it clockwise to tighten, the installation position is as shown.



## Step 14

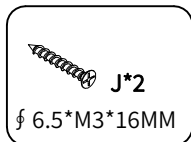
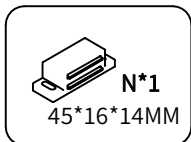
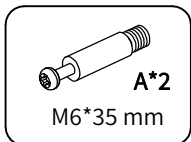
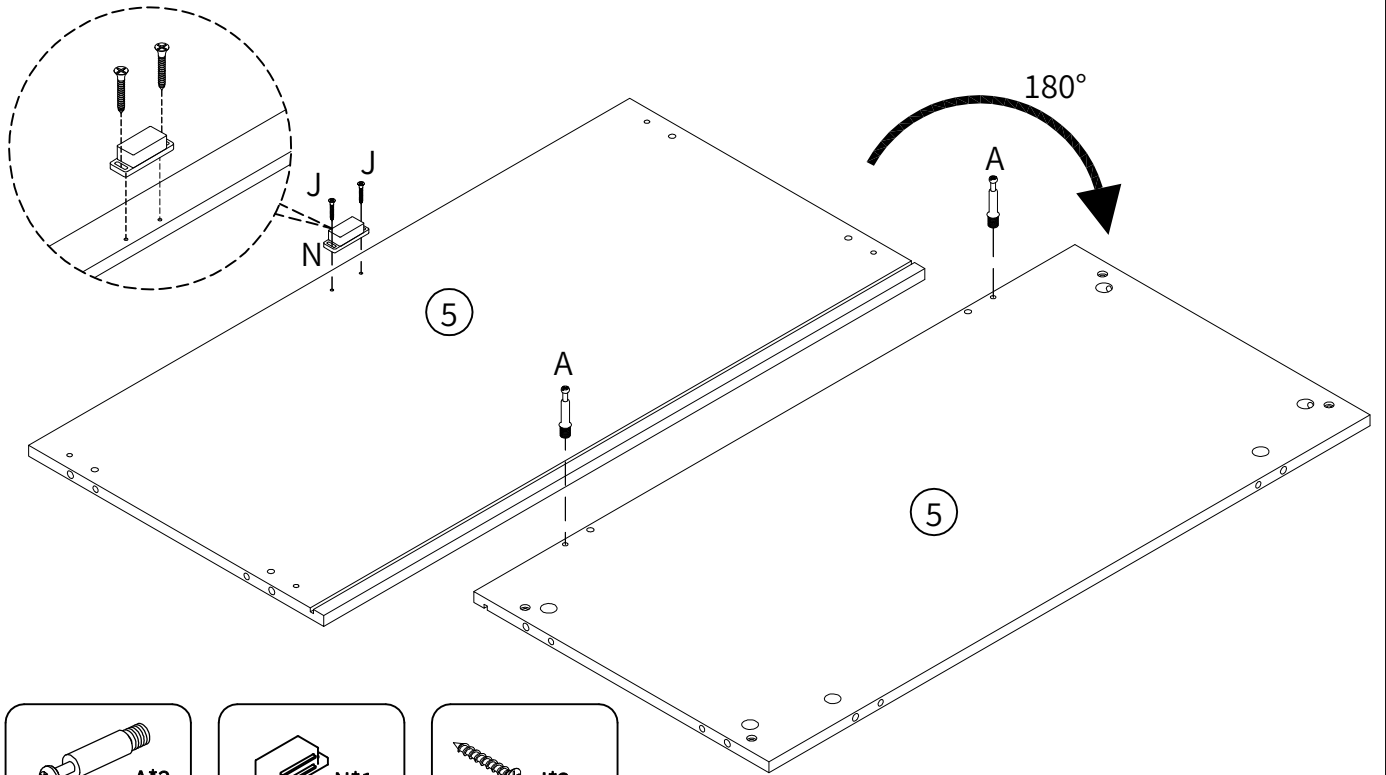
Insert screws (A) into corresponding holes in part ⑥, ⑦ and ⑧ as shown.



## Step 15

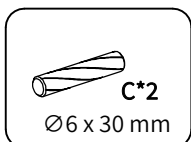
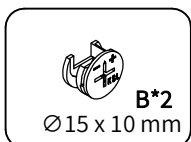
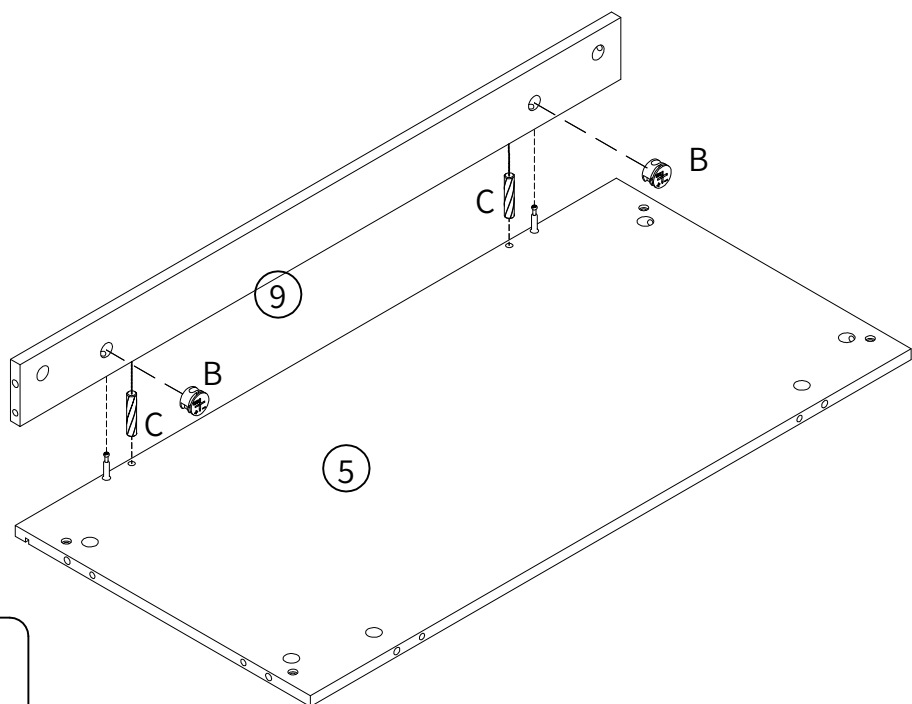
Use self tapping screws (J) to fix magnetic touch (N) on part ⑤.

Flip part ⑤ 180°, and insert screws (A) into the corresponding hole on part ⑤.



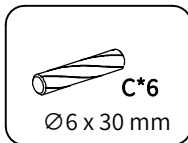
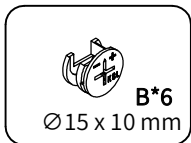
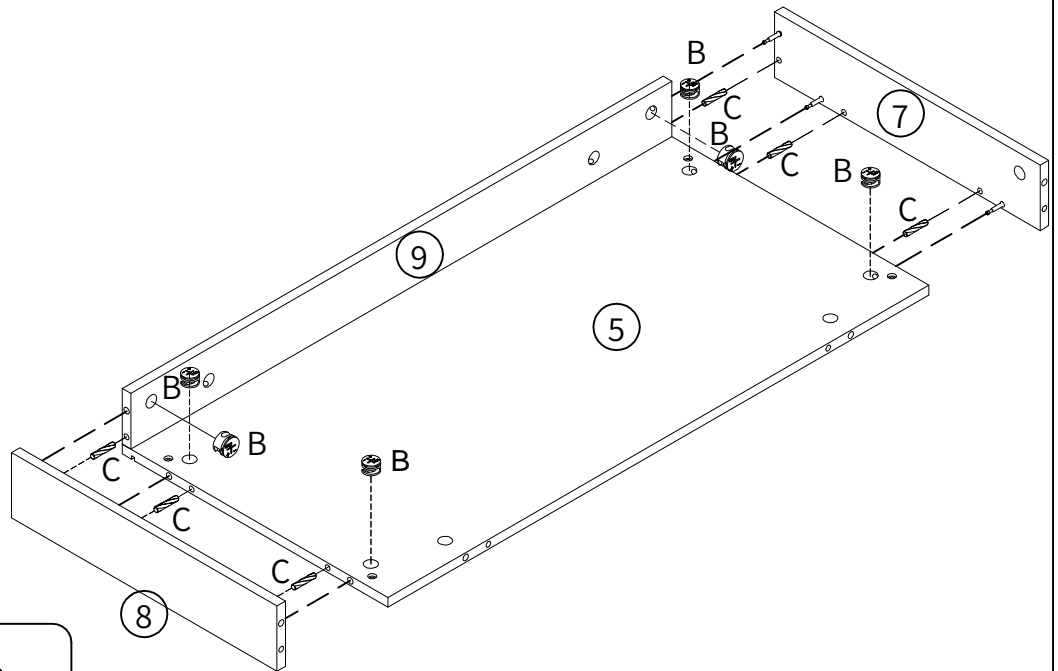
## Step 16

Insert wooden dowel (C) on part ⑤, connect part ⑤ to part ⑨ with eccentric wheels (B). Put the eccentric wheels (B) into the corresponding holes on part ⑨ and use a screwdriver to turn it clockwise to tighten, the installation position is as shown.



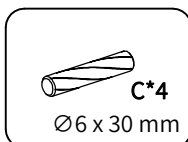
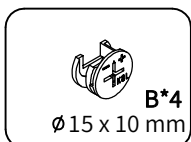
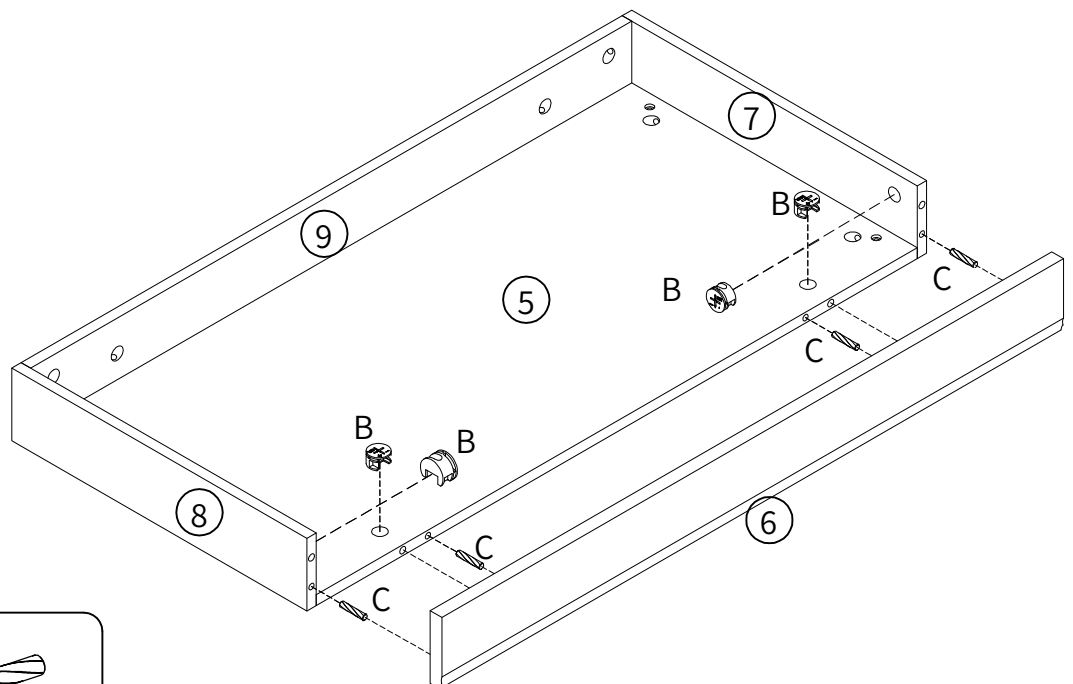
## Step 17

Insert wooden dowel (C) on part ⑤ ⑨, connect part ⑦ ⑧ to part ⑤ ⑨ with eccentric wheels (B). Put the eccentric wheels (B) into the corresponding holes on part ⑤ ⑨ and use a screwdriver to turn it clockwise to tighten, the installation position is as shown.



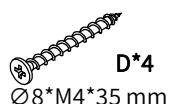
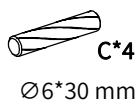
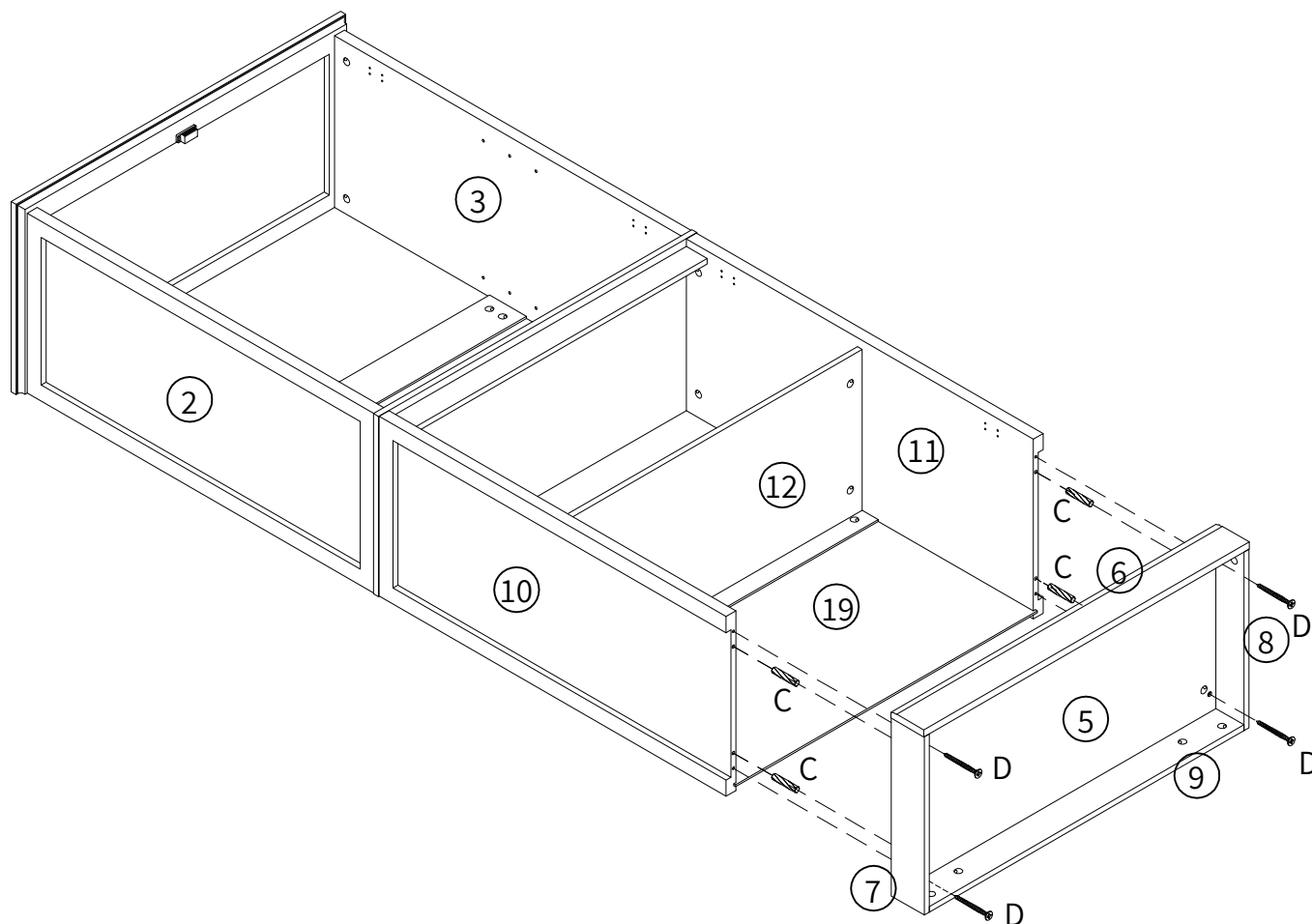
## Step 18

Insert wooden dowel (C) on part ⑤ ⑦ ⑧, connect part ⑥ to part ⑤ ⑦ ⑧ with eccentric wheels (B). Put the eccentric wheels (B) into the corresponding holes on part ⑤ ⑦ ⑧ and use a screwdriver to turn it clockwise to tighten, the installation position is as shown.



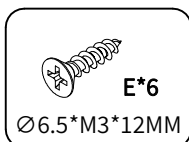
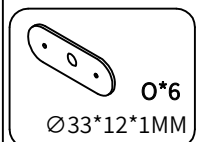
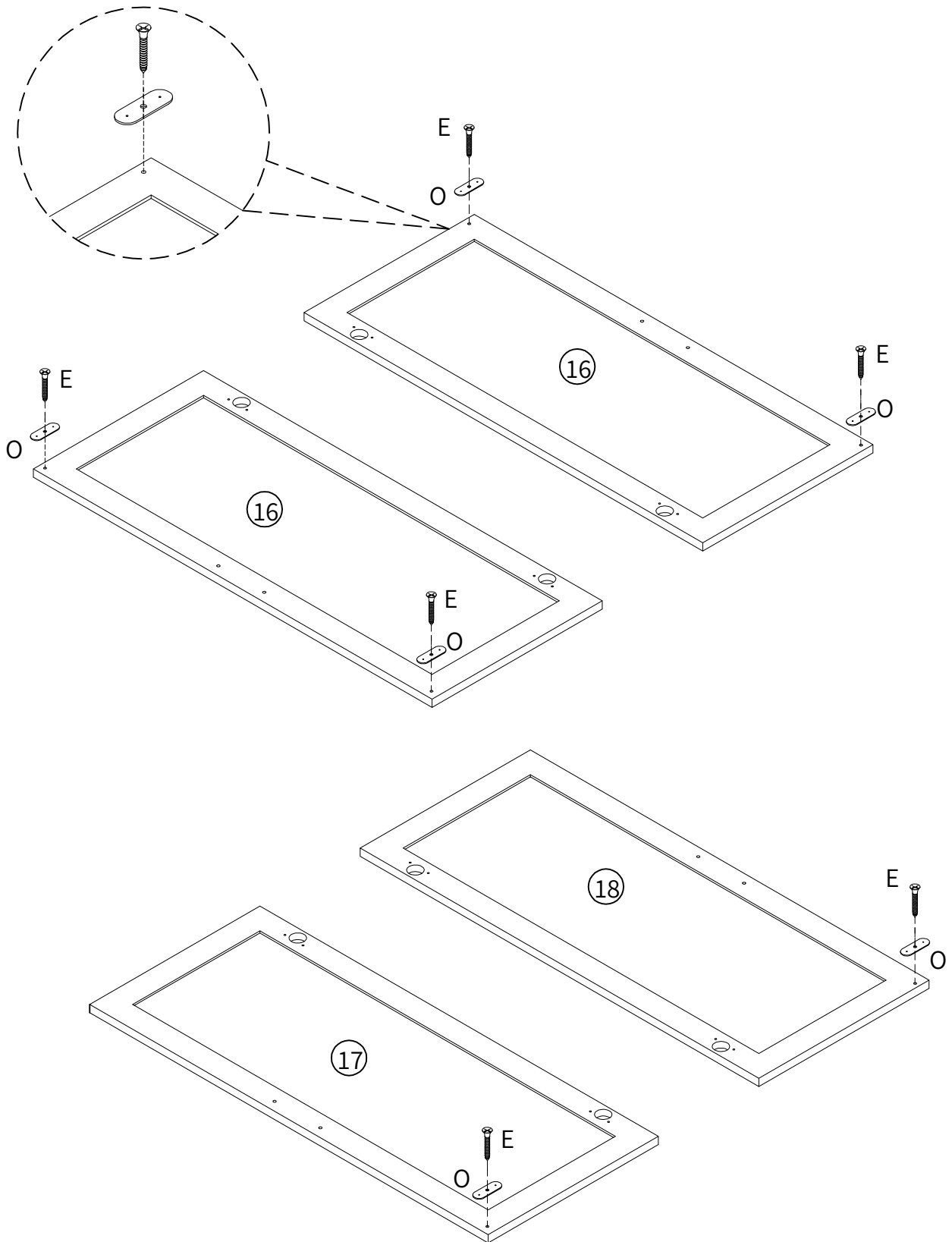
## Step 19

Insert wooden dowel (C) on part⑩⑪, connect the set part ⑤⑥⑦⑧⑨ to part⑩⑪ with screw(D).



## Step 20

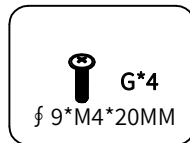
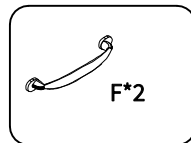
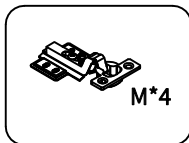
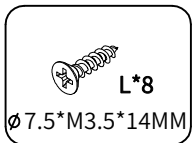
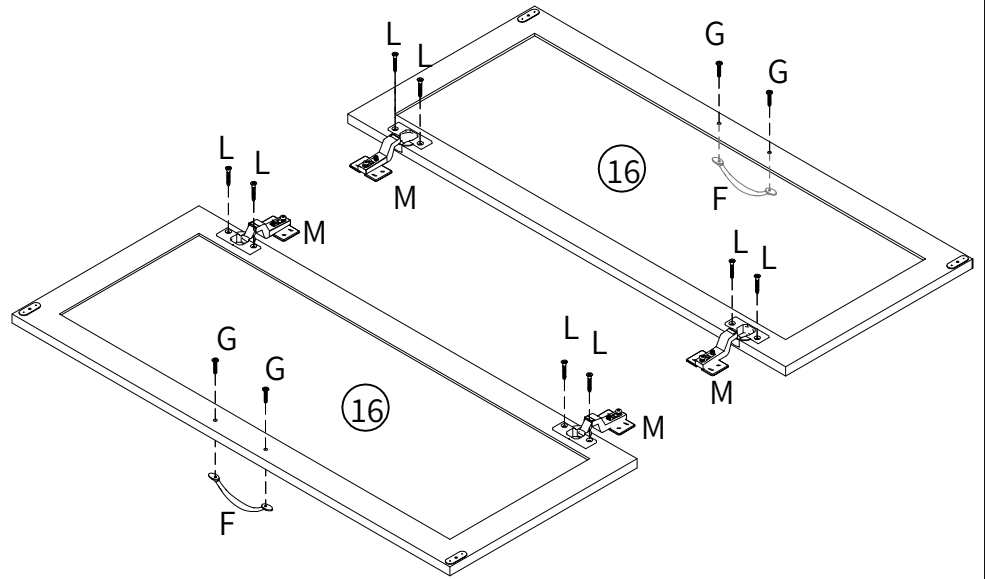
Fix the patches (O) onto parts ①⑥, ①⑦, and ①⑧ with screws (E).



## Step 21

Fix the door handles (F) onto part ⑩ with screws (G).

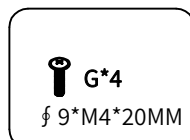
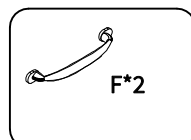
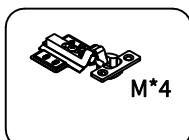
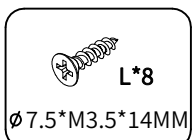
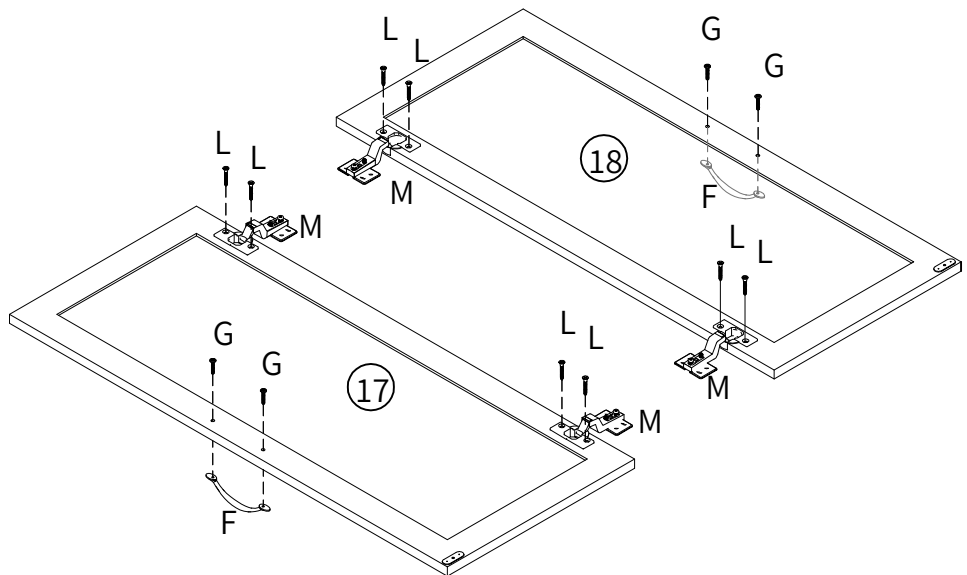
Fix hinges (M) onto part ⑩ with screws (L).



## Step 22

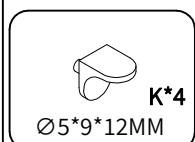
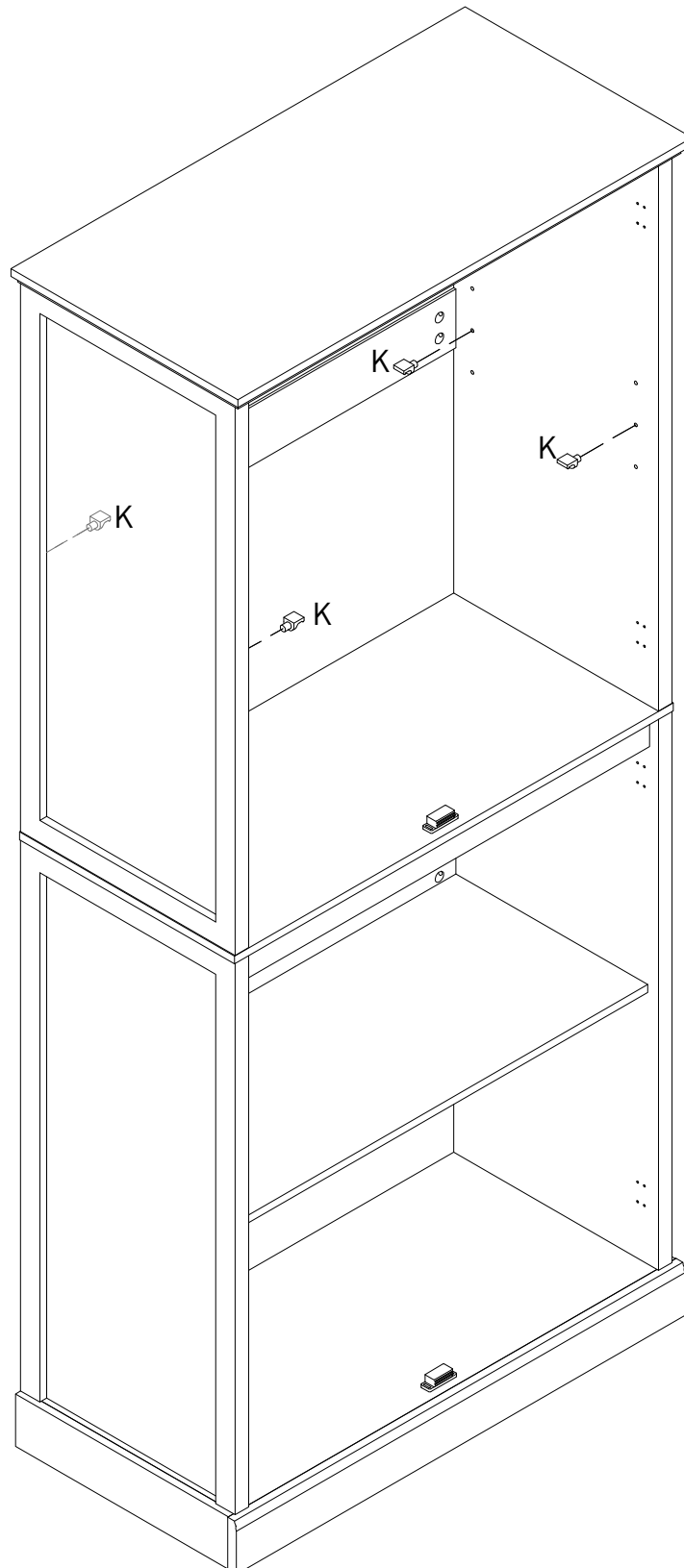
Fix the door handle (F) onto part ⑪ and ⑫ with screws (G)

Fix hinges (M) onto part ⑪ and ⑫ with screws (L)



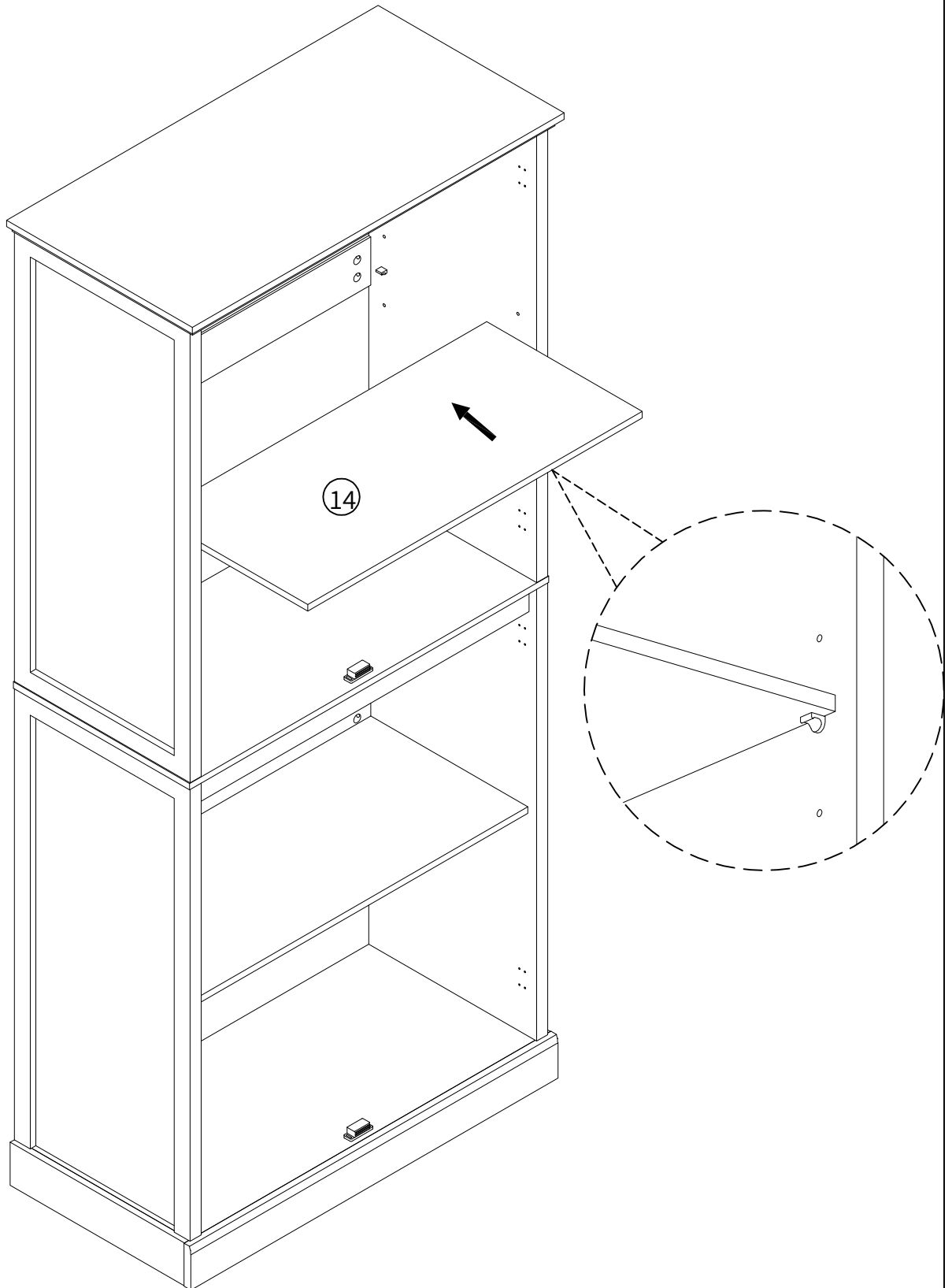
## Step 23

Insert the layer board brackets(K) into the corresponding hole on the side Board.



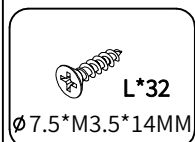
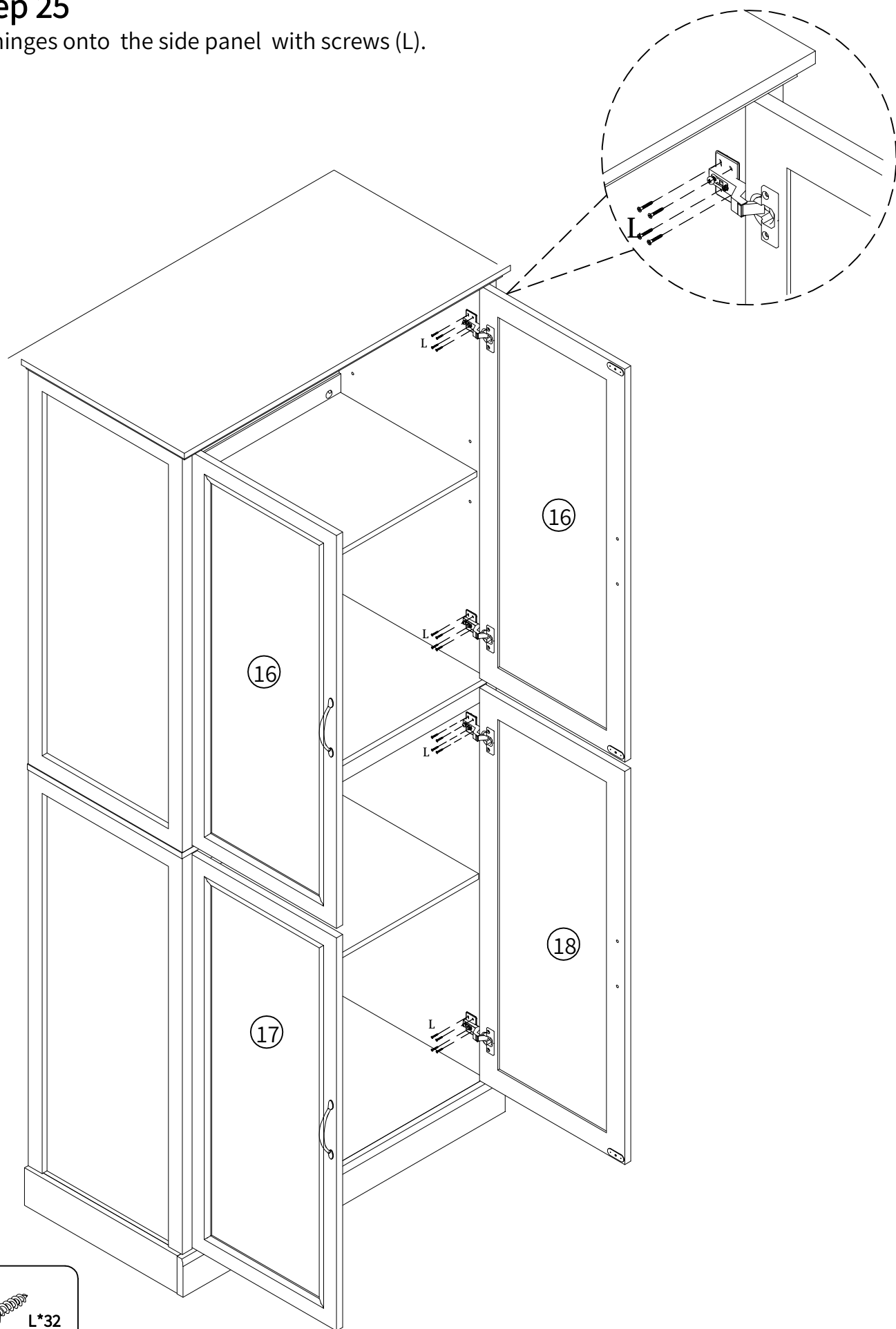
## Step 24

Put on the moving board ⑭ on the layer board brackets.



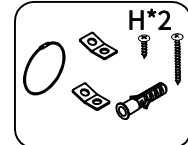
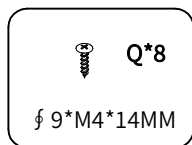
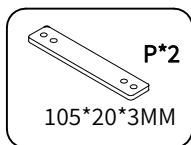
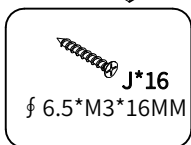
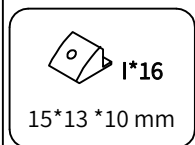
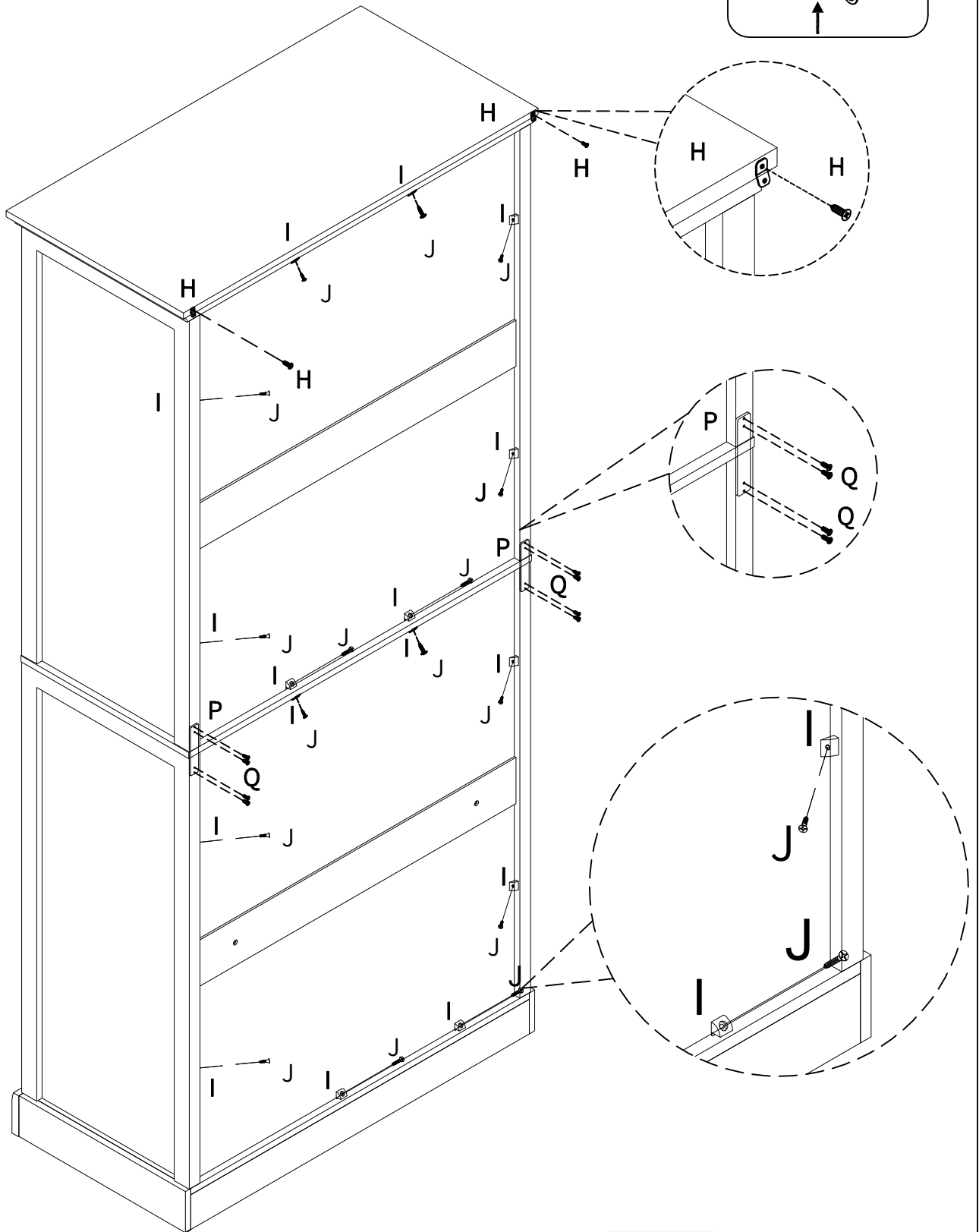
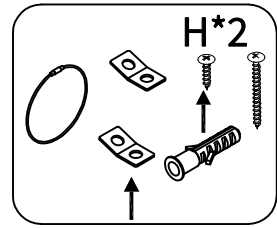
## Step 25

Fix hinges onto the side panel with screws (L).



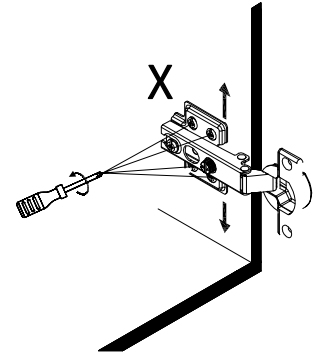
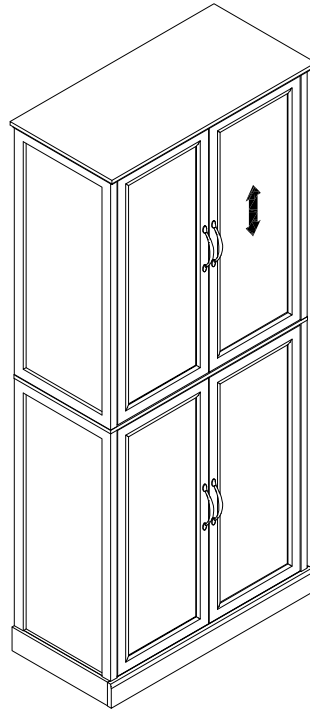
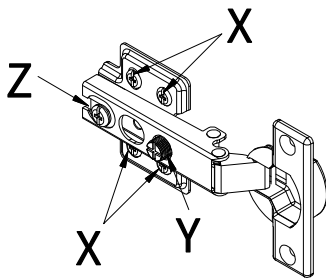
# Step 26

Fix the patches (H) on the top back with screws(H).  
 Fix the backboard buckles (I) onto the backboard with screws(J).  
 Fix the patches (P) on the backplate with screws(Q).

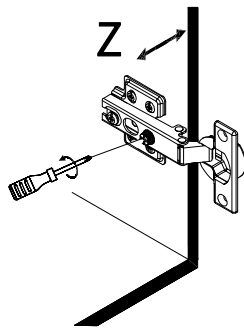
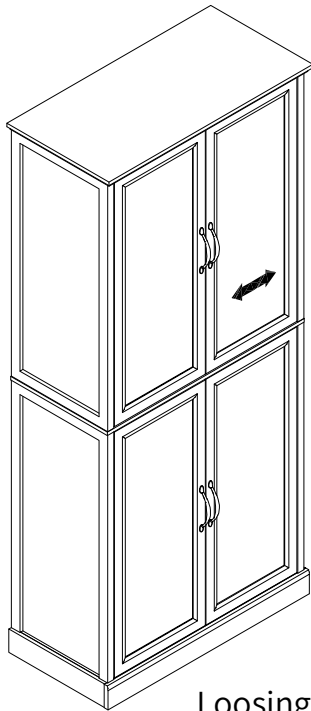


# Step 27

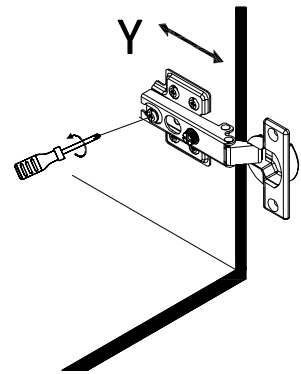
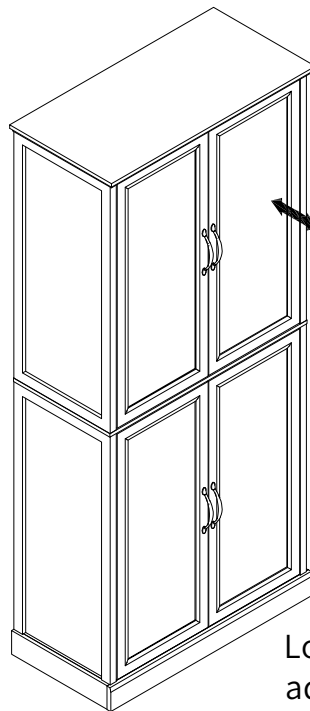
## Hinges Adjustment Tips



Loosening screw X can adjust the door panel vertically.



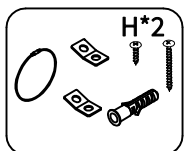
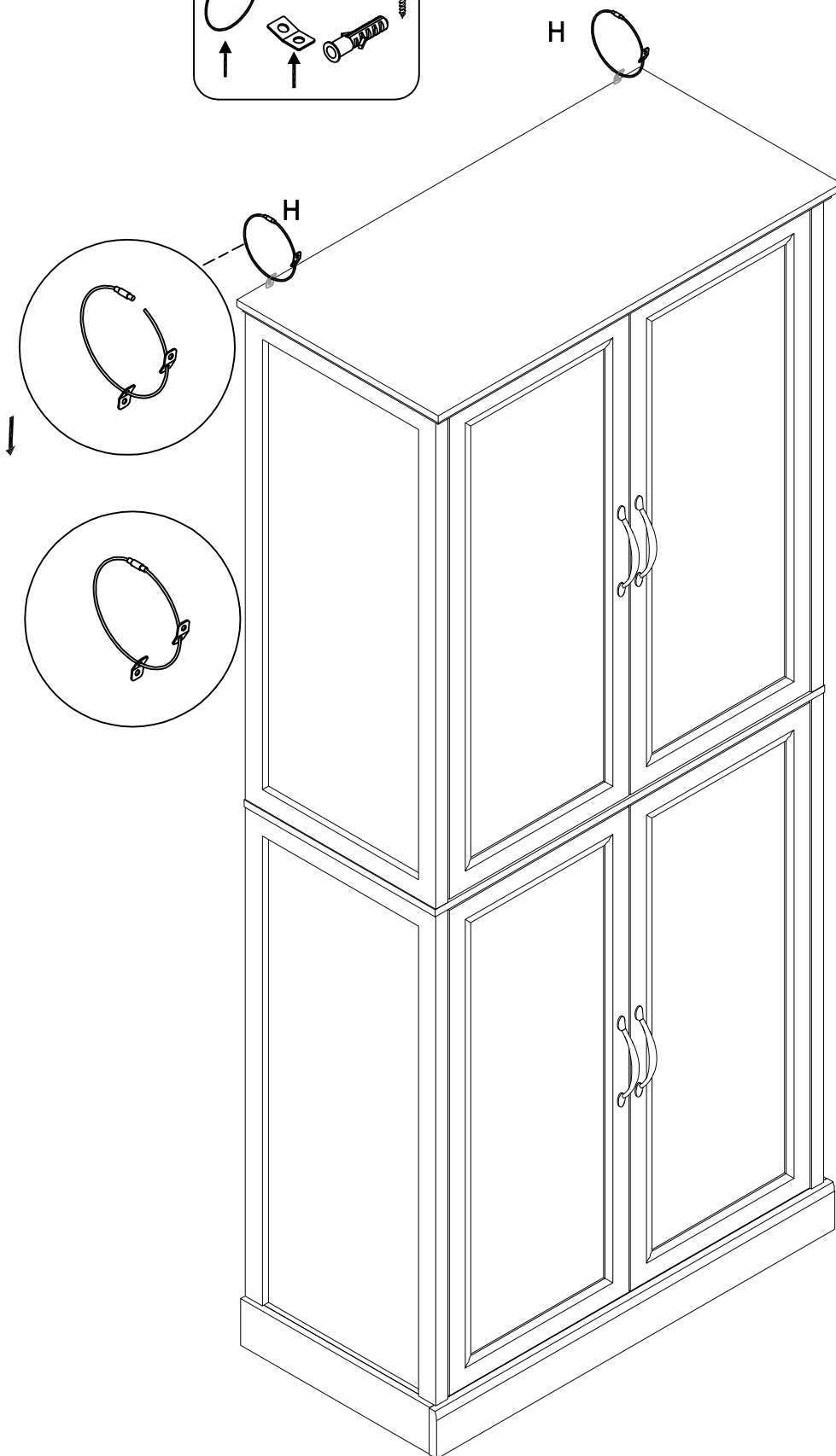
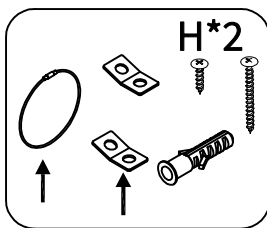
Loosening screw Z can adjust the door panel vertically.



Loosening screw Y can adjust the door panel vertically.

# Step 28

Fix with anti fall hardware (H).



## Step 29

Fix the anti collapse hardware(H) on the wall with screws(H).

