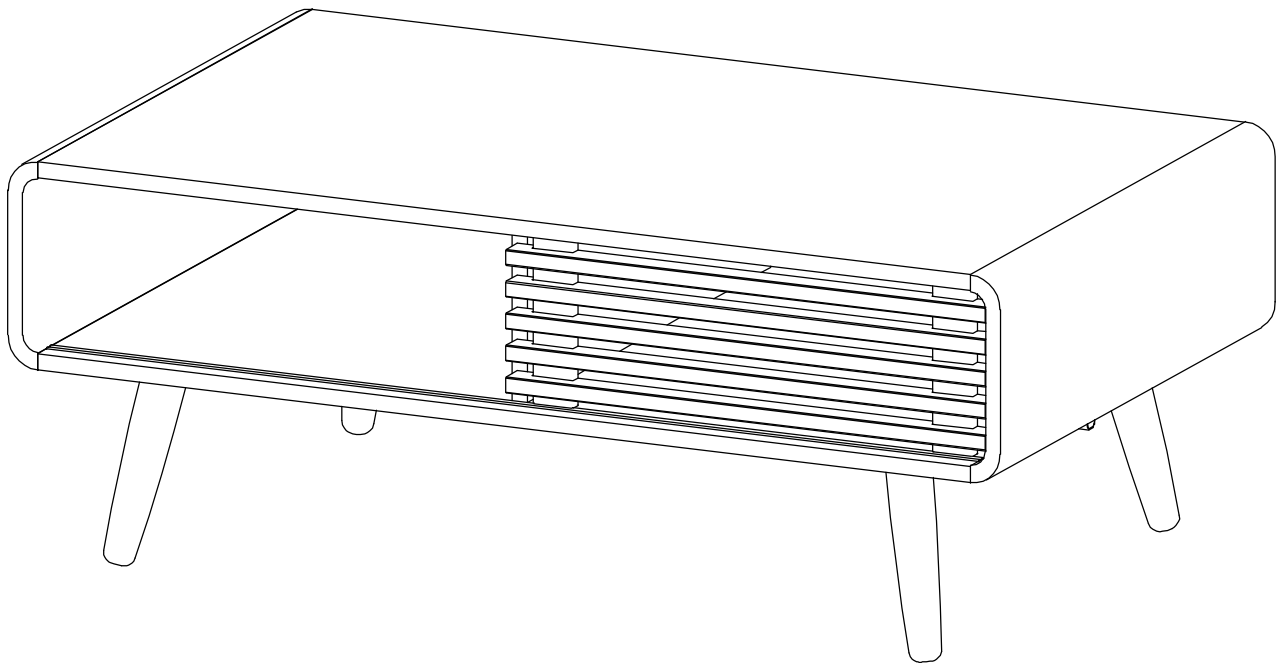
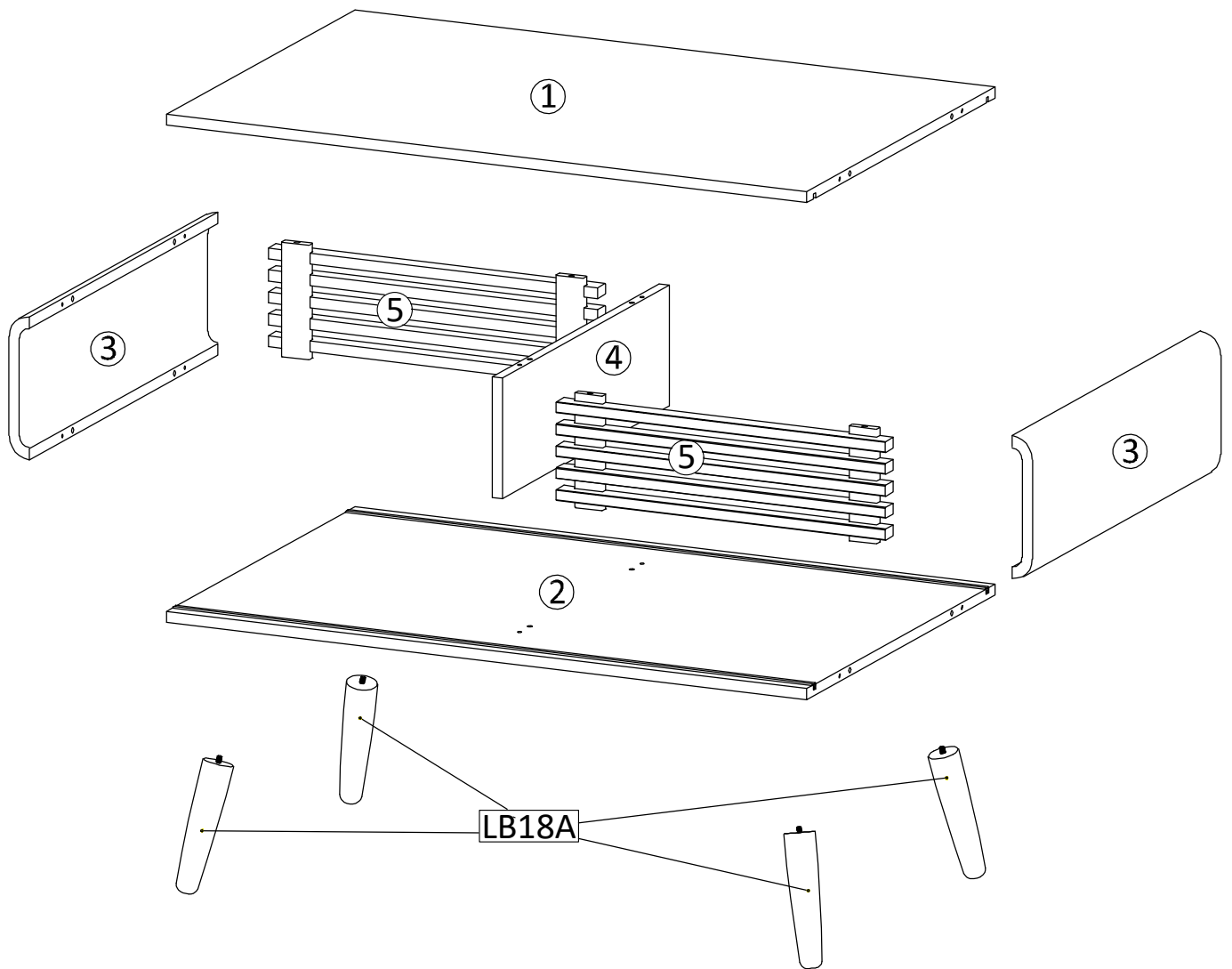
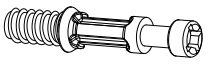





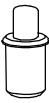

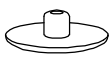
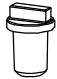
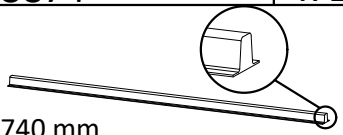
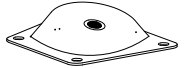


# ASSEMBLY INSTRUCTIONS


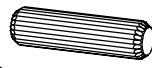




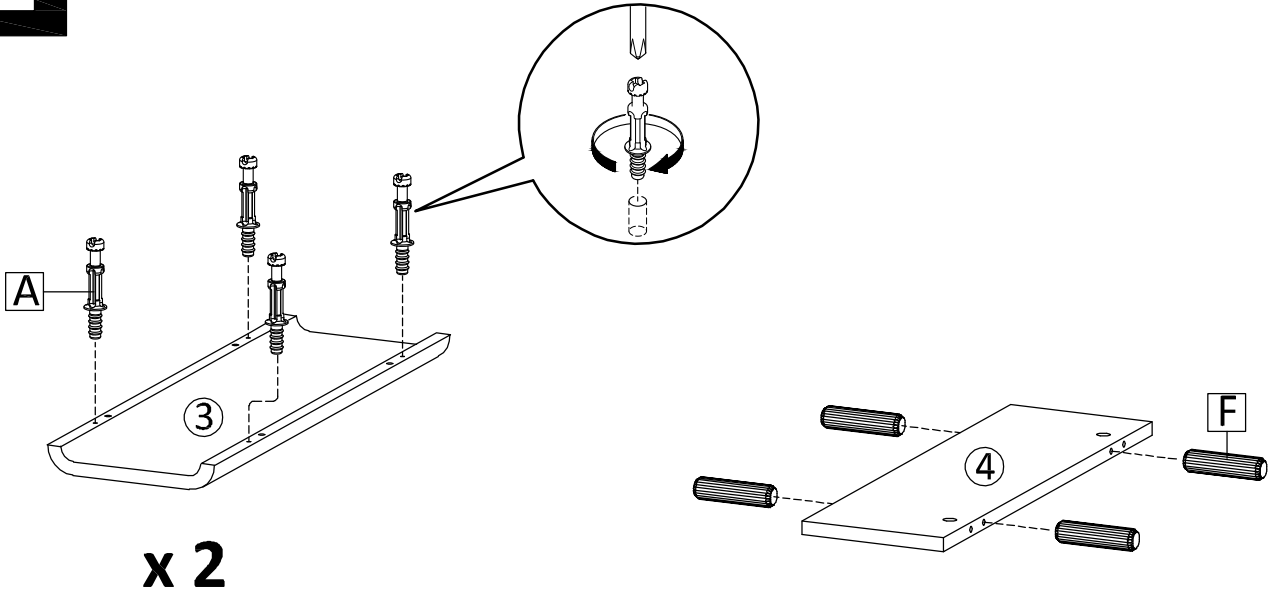
|  |  |  |  |
|--|--|--|--|
| <b>A</b> x 10<br><br>Ø6 x 35 mm | <b>B</b> x 10<br><br>Ø15 mm     | <b>C</b> x 26<br><br>M 6 x 12.5 mm | <b>D</b> x 2<br><br>M 7 x 50 mm |
| <b>E</b> x 1<br>                | <b>F</b> x 12<br><br>Ø8 x 30 mm | <b>G</b> x 4<br>                    | <b>H</b> x 4<br>                |
| <b>I</b> x 2<br><br>Ø15 mm      | <b>J</b> x 4<br>                | <b>US74</b> x 1<br><br>740 mm      | <b>PM1</b> x 4<br>              |

|   |  |  |
|---|--|--|
|  <b>SET-UP TIME : 60 MINUTES</b> |  <b>NUMBER OF PERSONS : 02</b> |  <b>TOOLS :</b>   (Not Provided) |
|---|--|--|

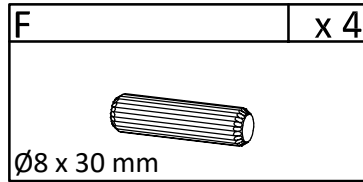
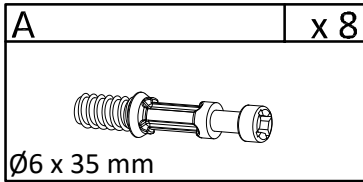
# 1

|   |   |
|---|---|
| <b>A</b> x 2<br><br>Ø6 x 35 mm | <b>F</b> x 8<br><br>Ø8 x 30 mm |
|---|---|

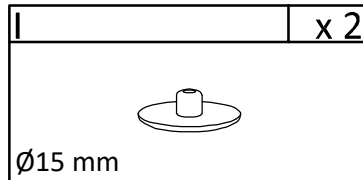
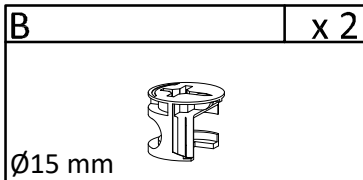
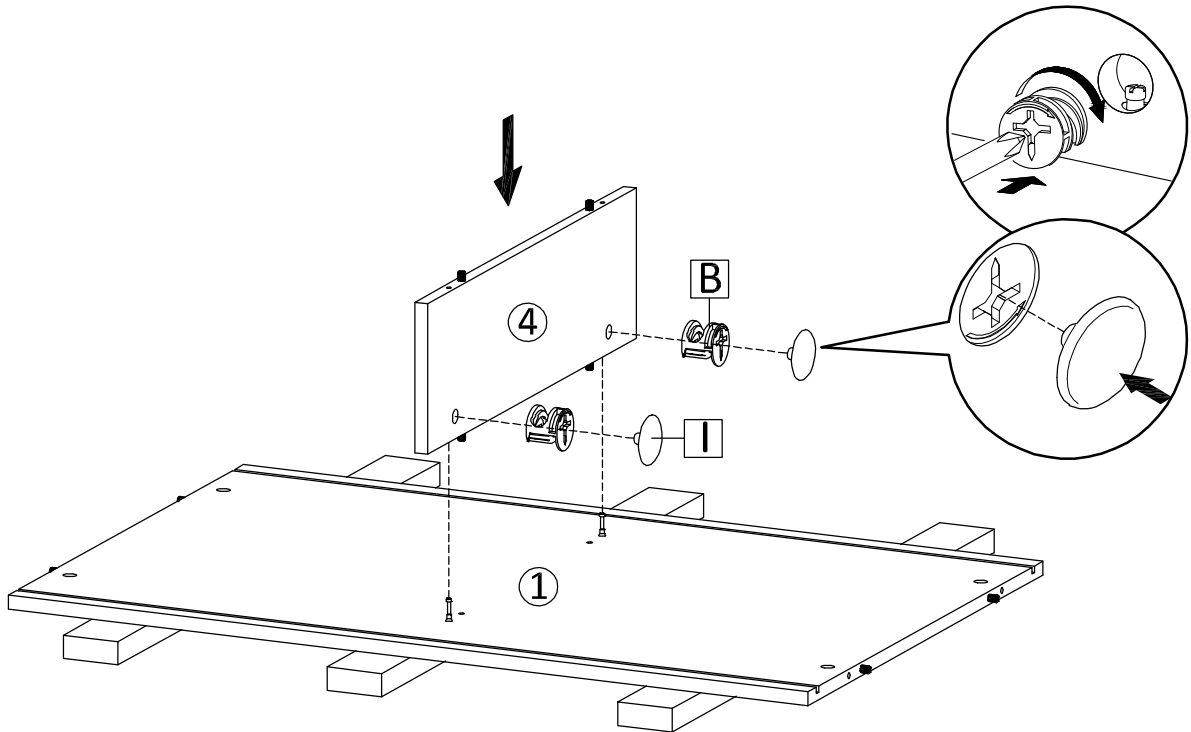
2



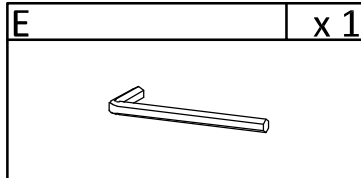
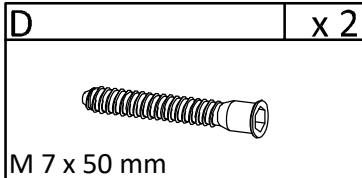
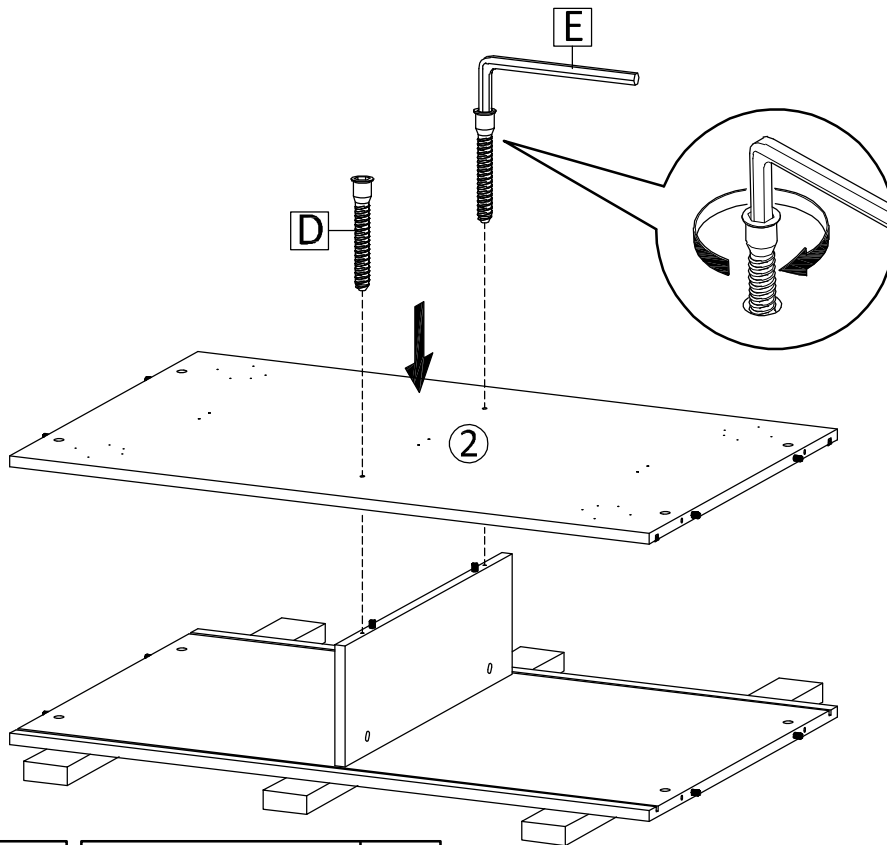
x 2



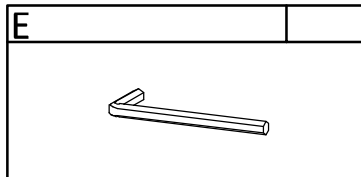
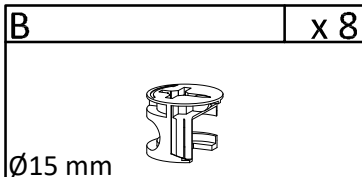
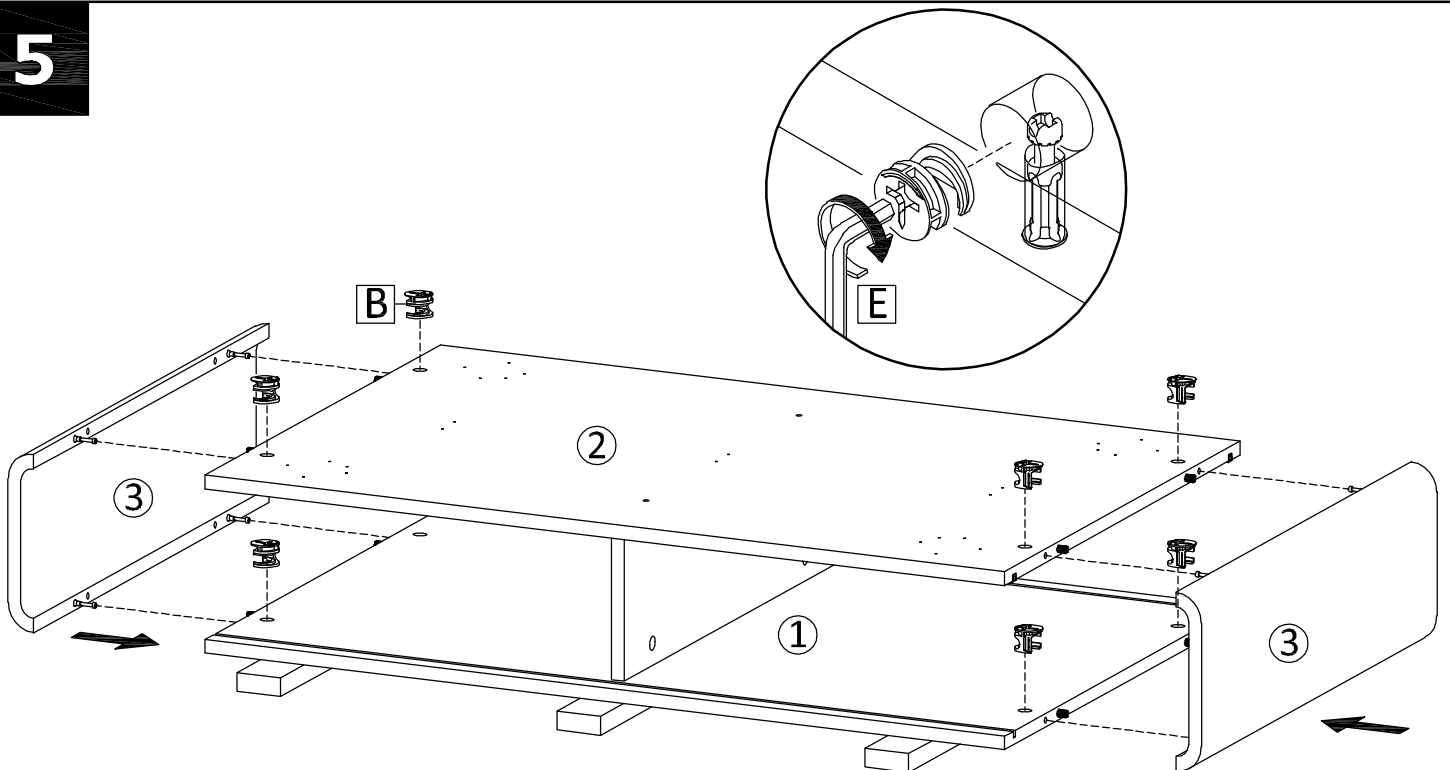
3



4



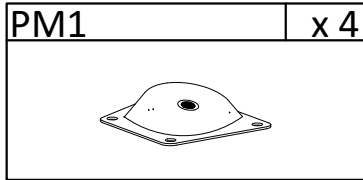
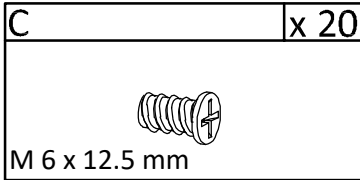
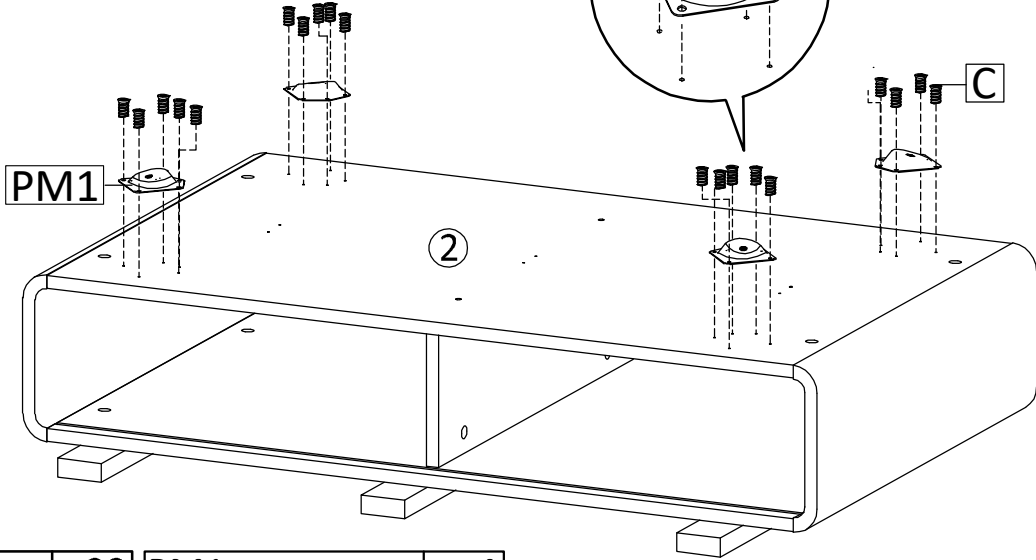
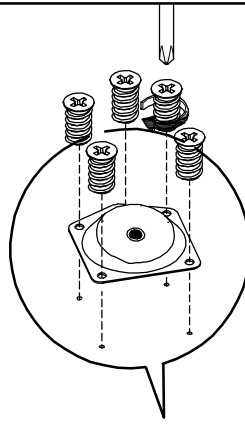
5



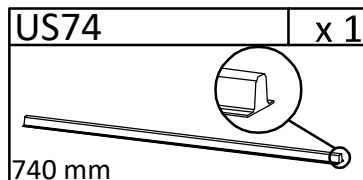
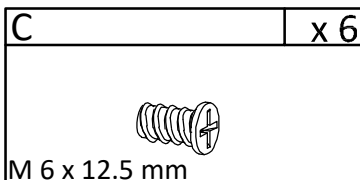
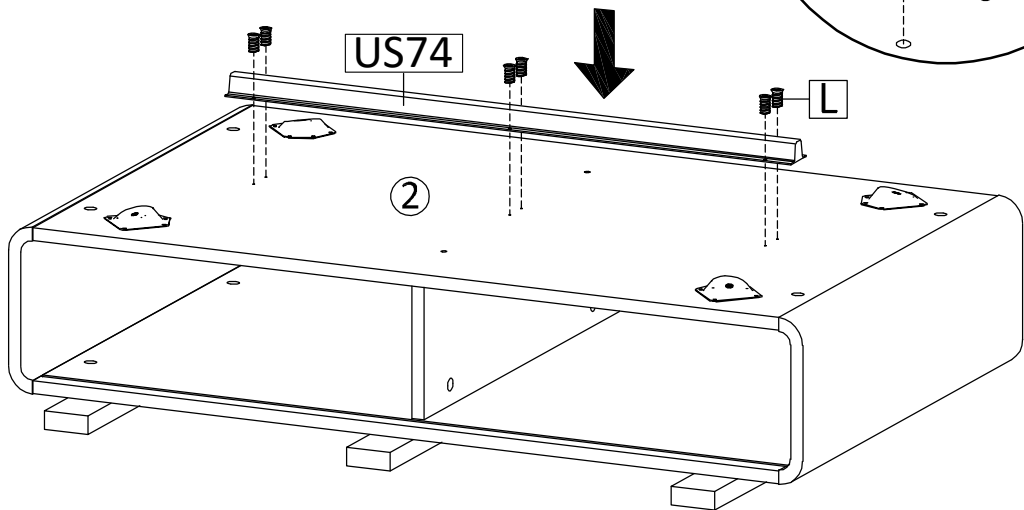
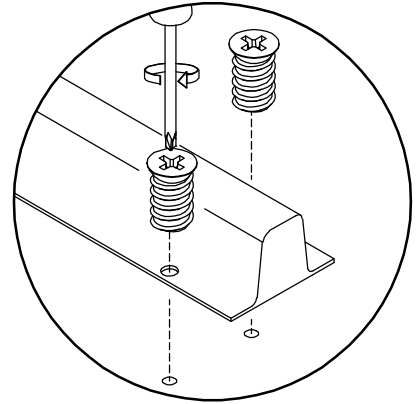
6



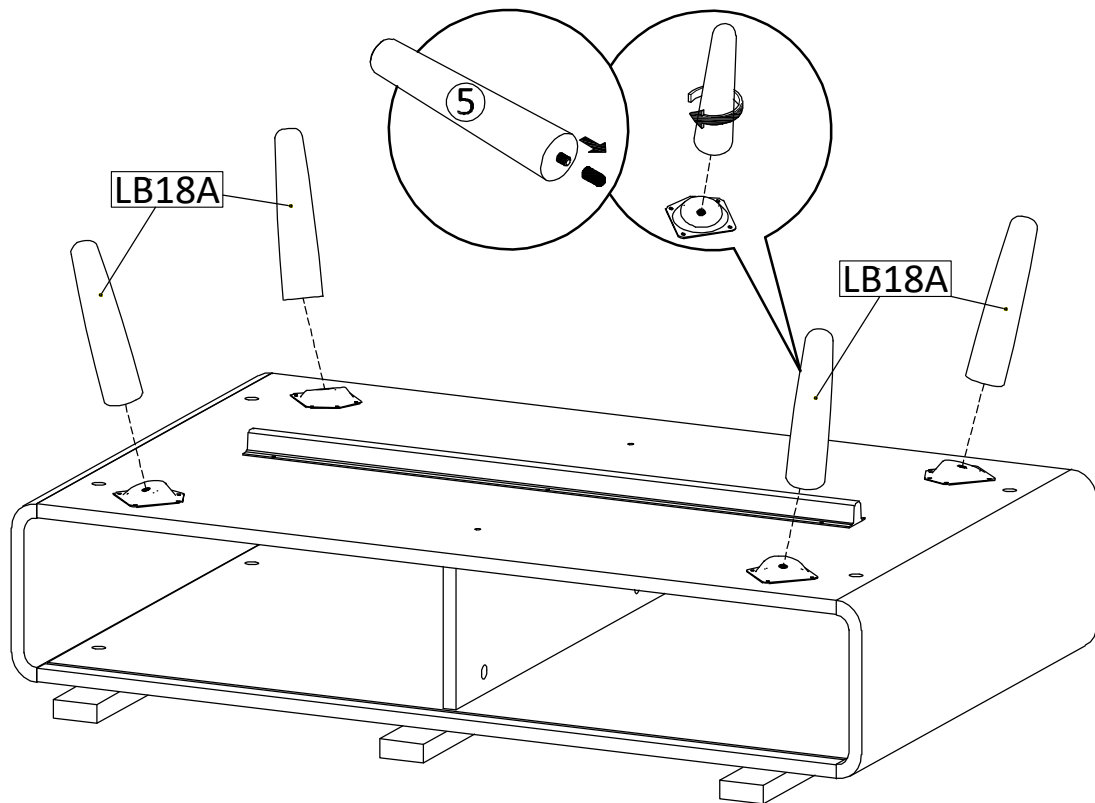
Attention (Leg Mitres) Assembly Position



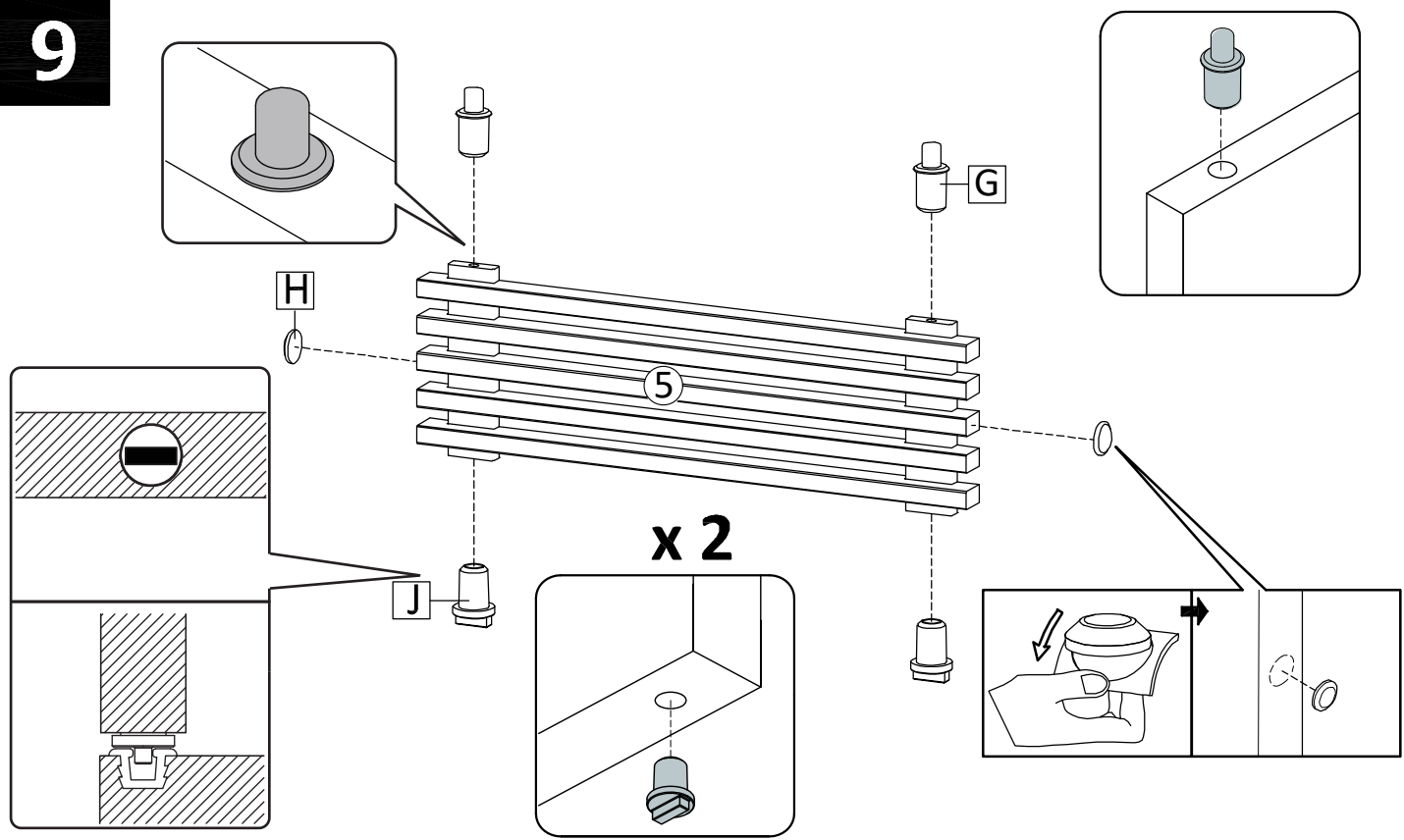
7



8

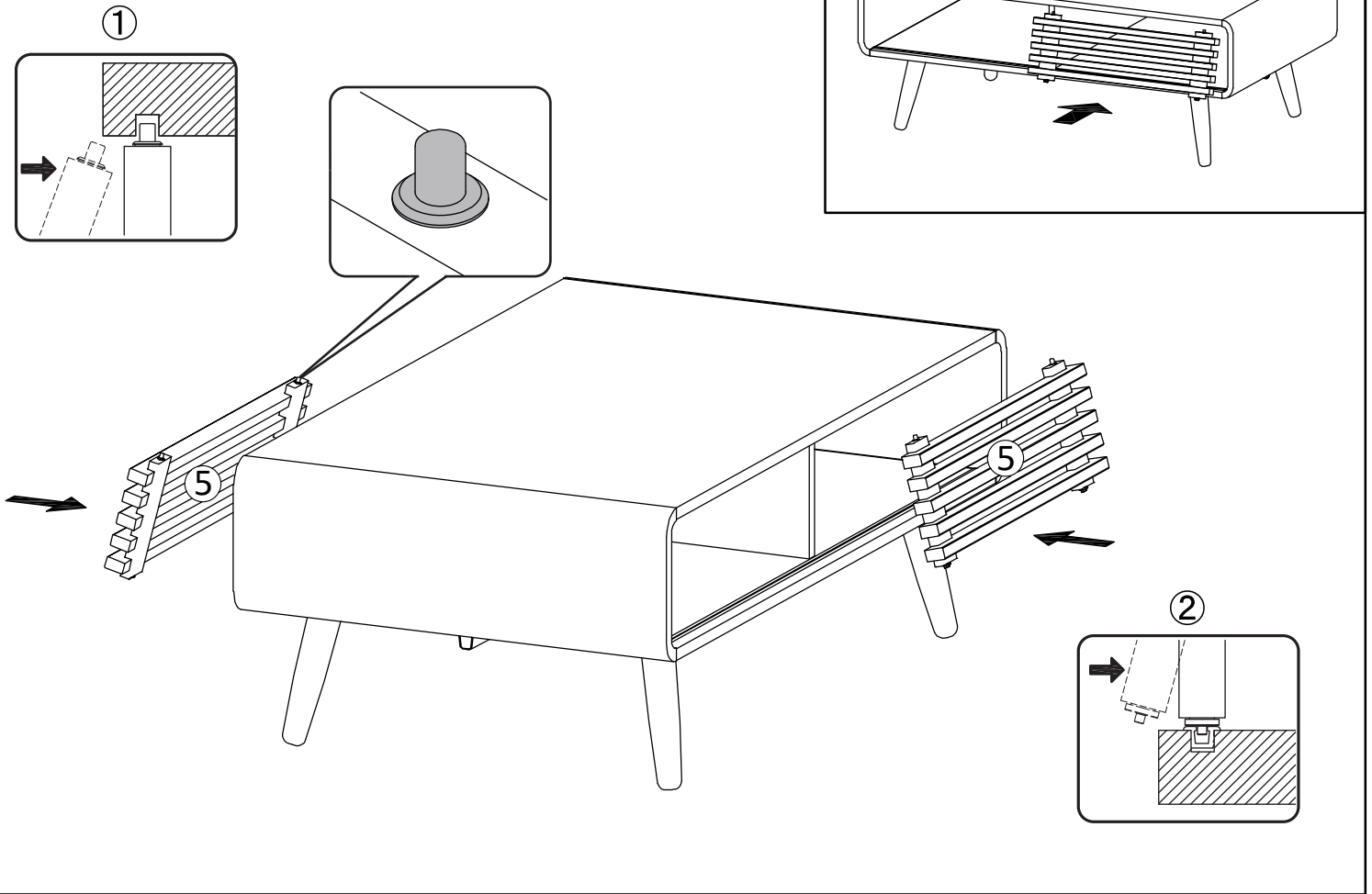


9



|   |     |   |     |   |     |
|---|-----|---|-----|---|-----|
| H | x 4 | J | x 4 | G | x 4 |
|   |     |   |     |   |     |

10



11

