

LANGLEY DOOR CHEST

ASSEMBLY INSTRUCTIONS

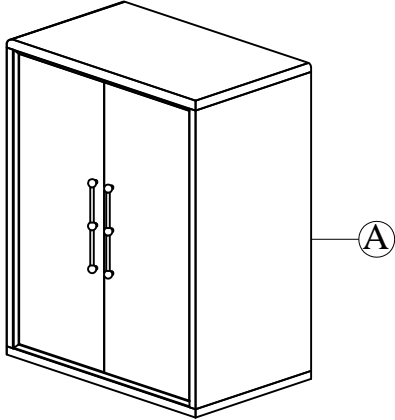


PARTS PACKING CONFIGURATIONS

BOX #1:

A. DOOR CHEST TOP

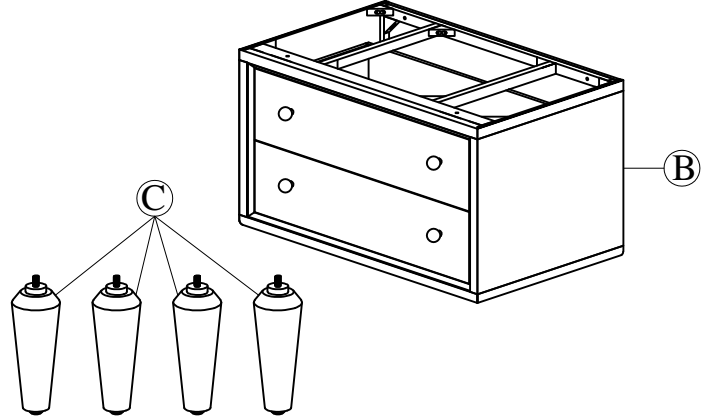
1 PC



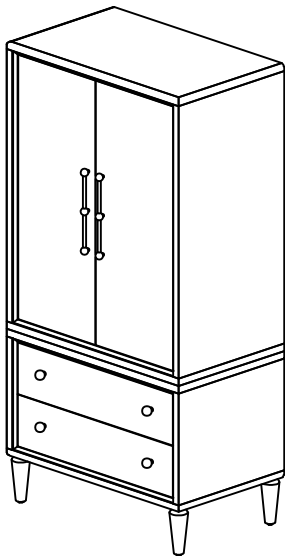
BOX #2:

B. DOOR CHEST BASE
C. LEG

1 PC
4 PCS



FULLY ASSEMBLED



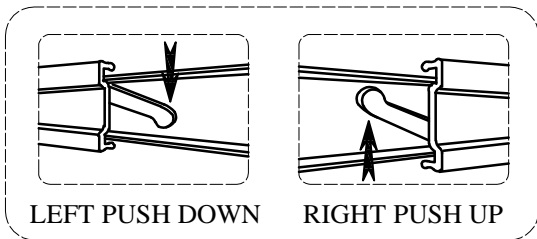
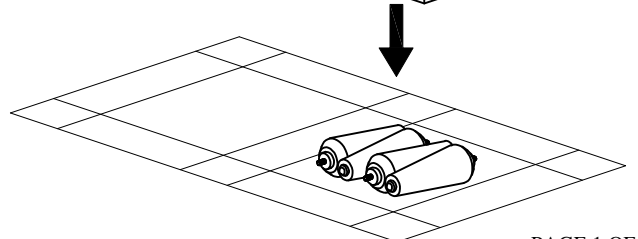
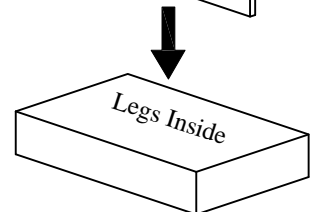
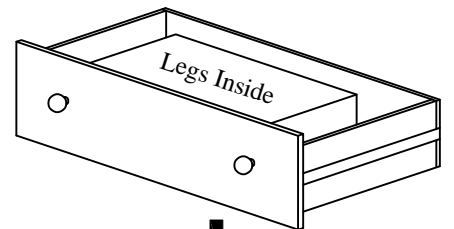
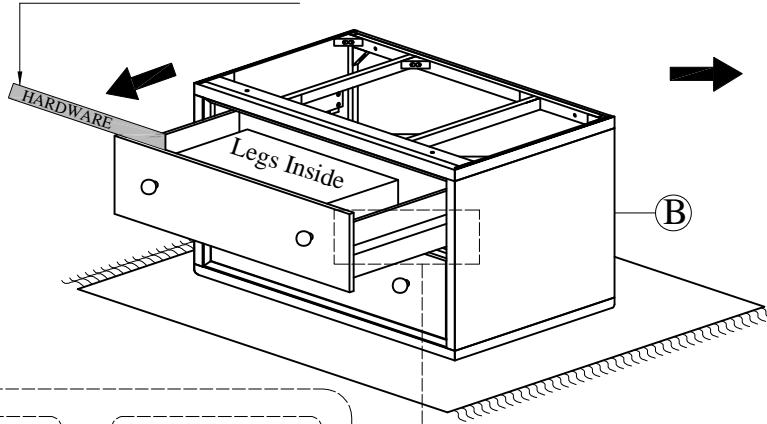
HARDWARE KIT PACKED IN BOX #2

No.	Description	Image	Quantity
1	ALLEN BOLT (6x40mm)		4 PCS
2	SPRING WASHER (M6)		4 PCS
3	FLAT WASHER (M6)		4 PCS
4	ALLEN KEY (4mm)		1 PC



STEP 1:

RED STRAP SHOWS LEGS PACKING LOCATION

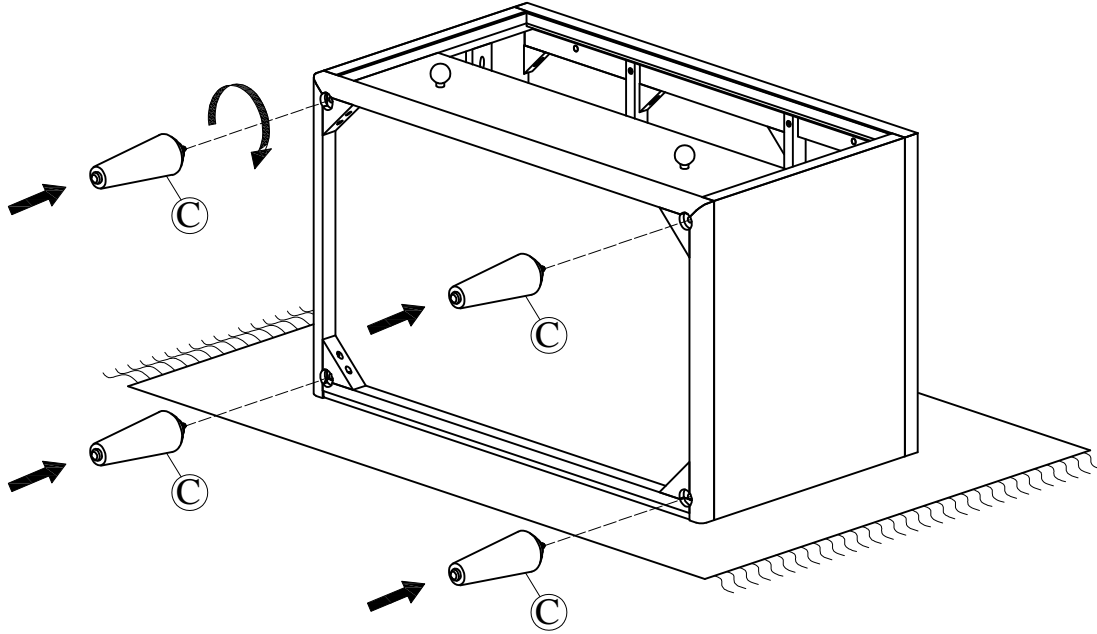


LANGLEY DOOR CHEST

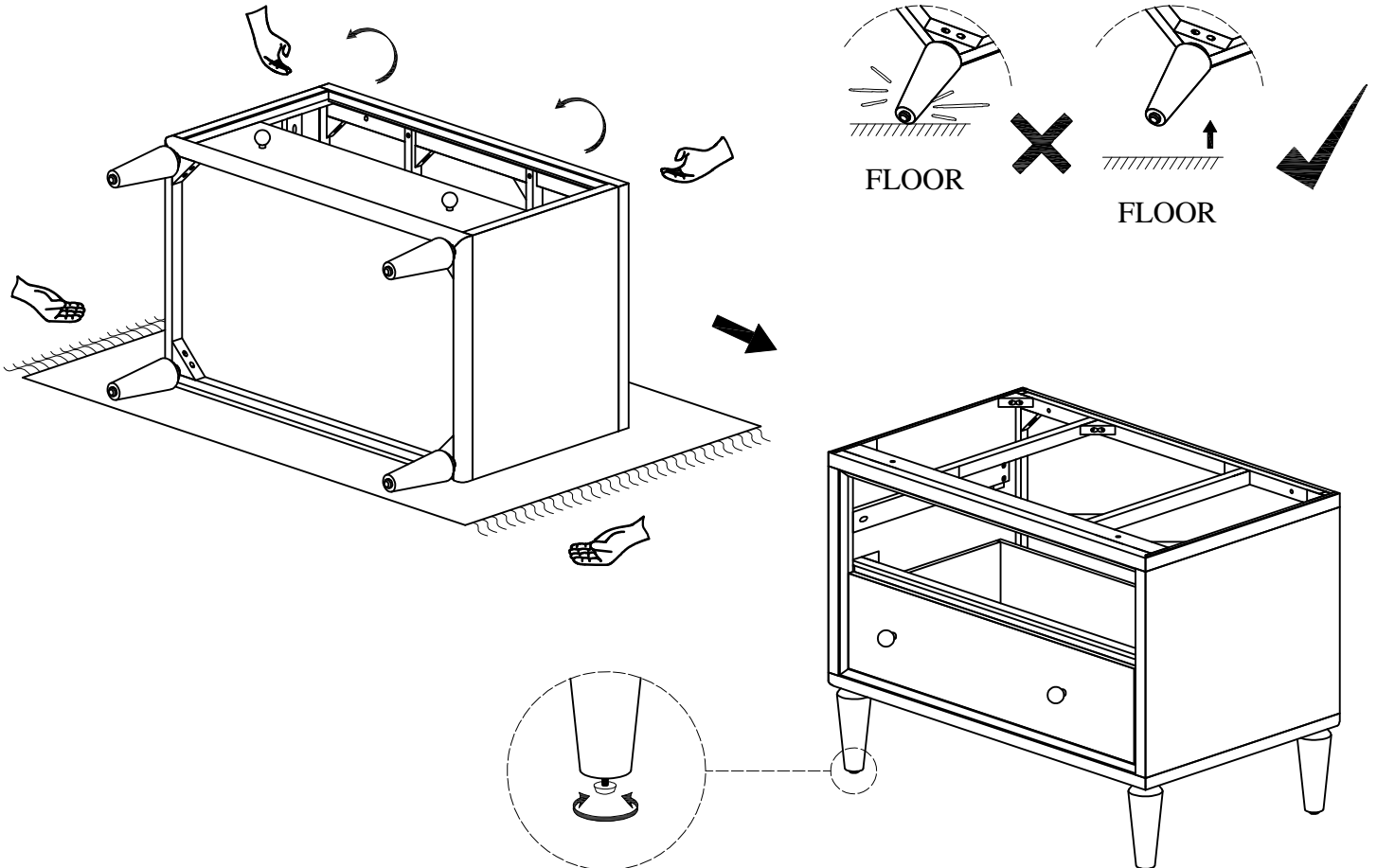
ASSEMBLY INSTRUCTIONS



STEP 2:



STEP 3:

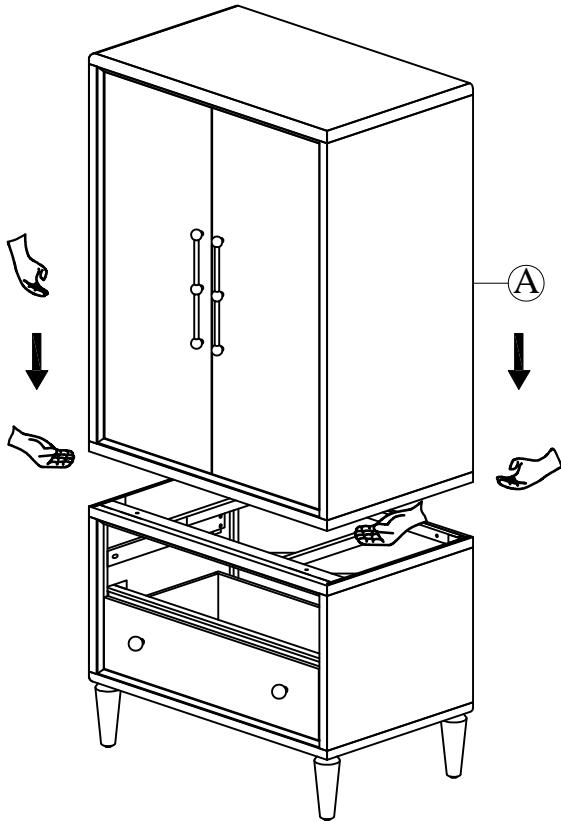


LANGLEY DOOR CHEST

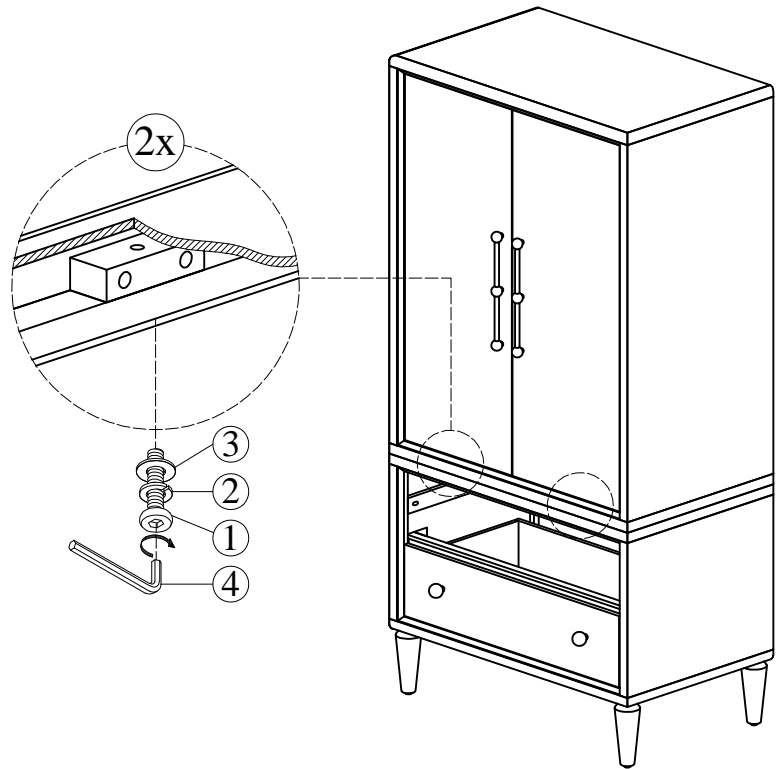
ASSEMBLY INSTRUCTIONS



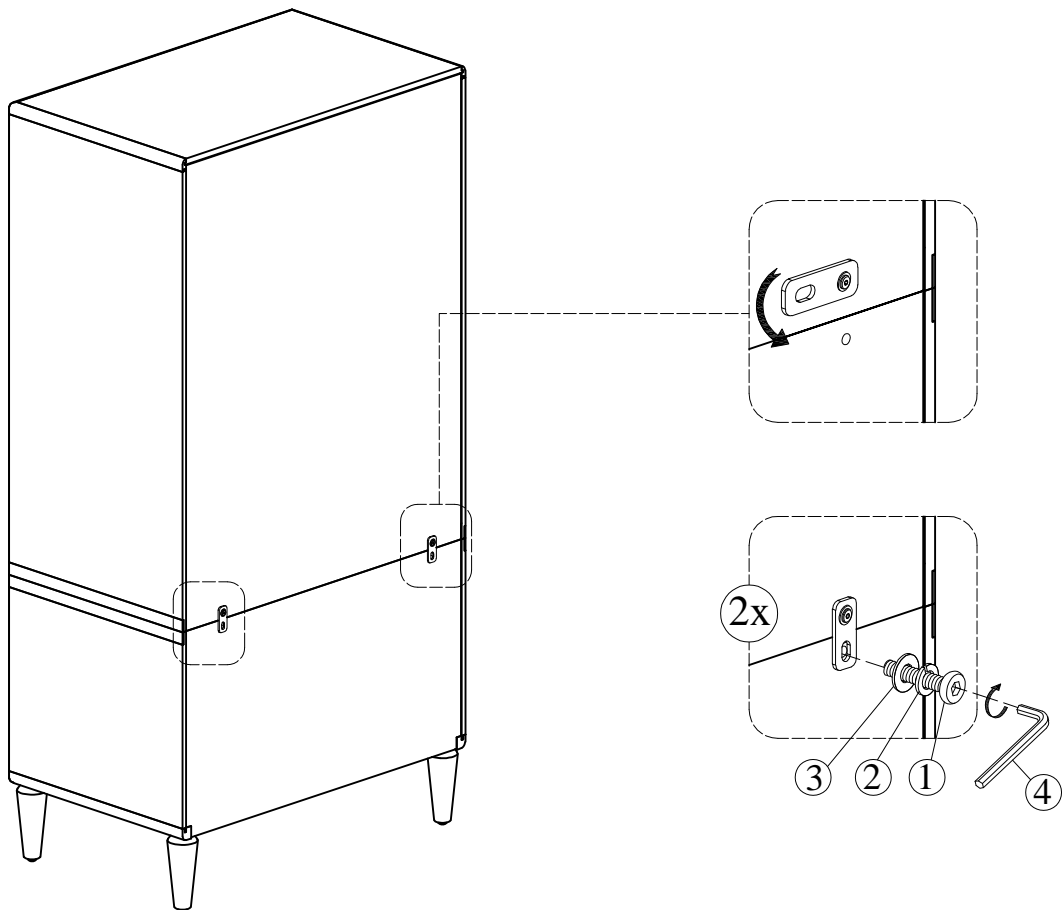
STEP 4:



STEP 5:



STEP 6:

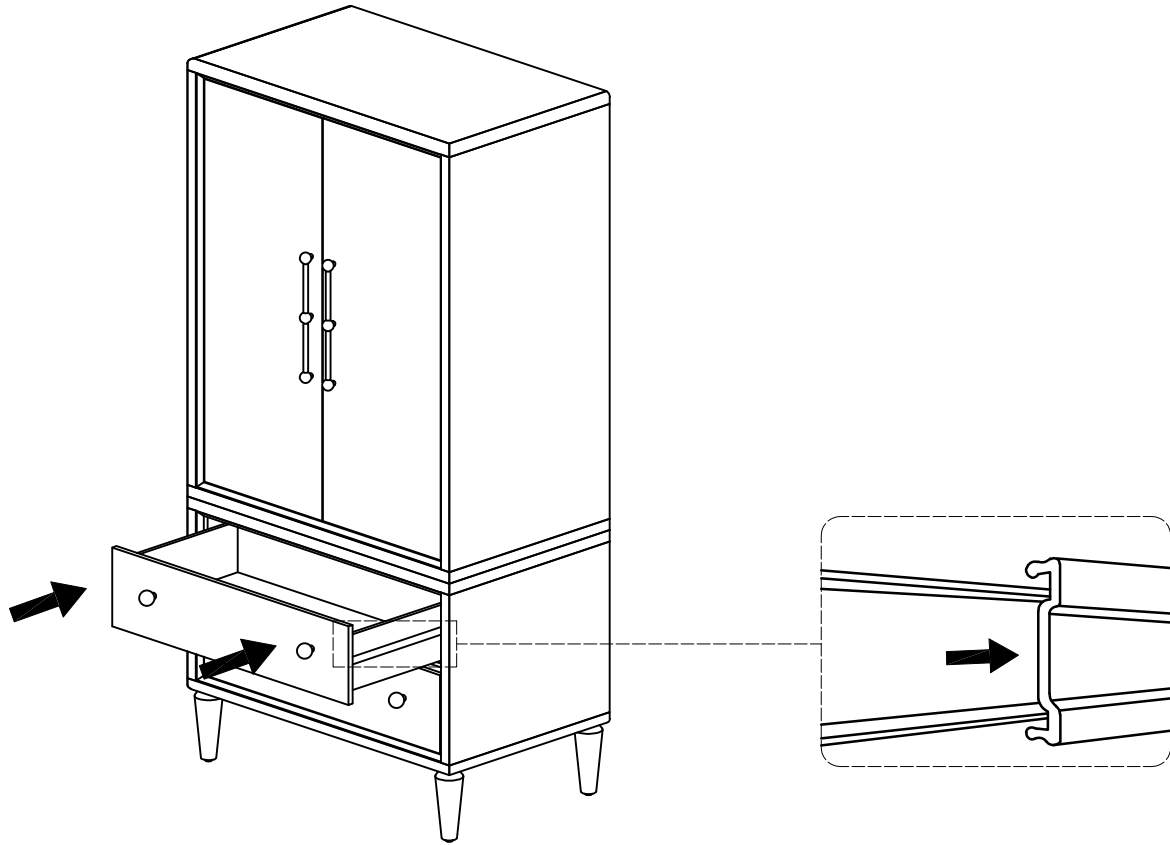


LANGLEY DOOR CHEST

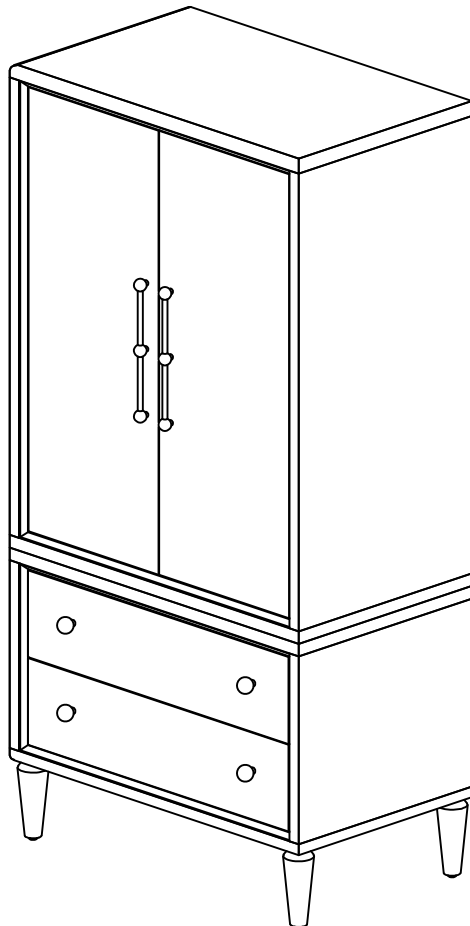
ASSEMBLY INSTRUCTIONS



STEP 7:



STEP 8:



ASSEMBLY COMPLETE

PAGE 4 OF 4