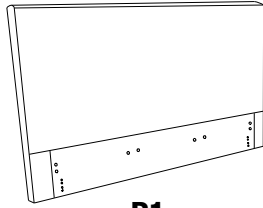


# MELINA PLATFORM BED C. KING/E. KING ASSEMBLY INSTRUCTIONS

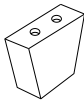
## PARTS AND FITTING PACKAGING DETAIL

### BOX #1

- P1. HEADBOARD 1 PC
- P2. HEADBOARD LEG 2 PCS



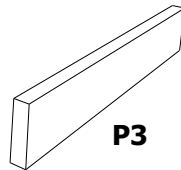
**P1**



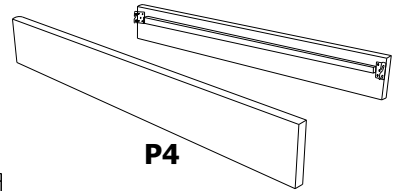
**P2**

### BOX #2

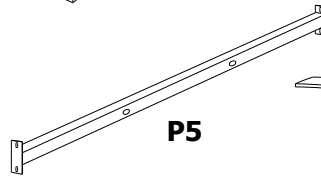
- P3. FOOTBOARD 1 PC
- P4. SIDE RAIL 2 PCS
- P5. CENTER SLAT SUPPORT 2 PCS
- P6. SLAT 39 PCS
- P7. FOOTBOARD LEG 2 PCS
- P8. SIDE RAIL SLAT CLIP 26 PCS
- P9. CENTER SUPPORT SLAT CLIP 26 PCS
- P10. CENTER SUPPORT LEG 4 PCS



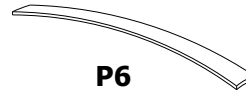
**P3**



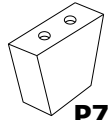
**P4**



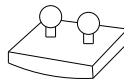
**P5**



**P6**



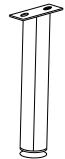
**P7**



**P8**

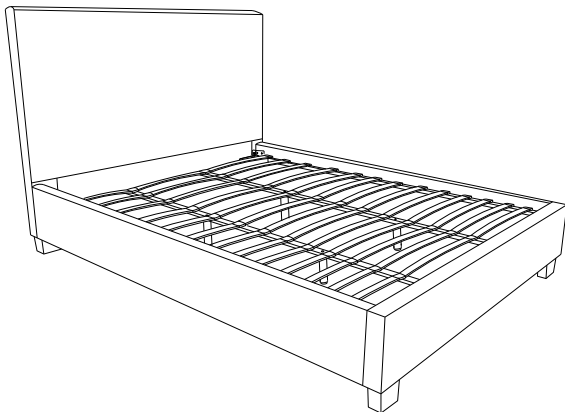


**P9**


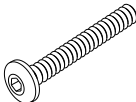
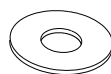


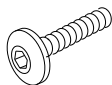




**P10**


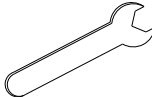
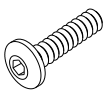
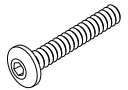
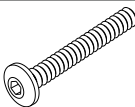



BED ASSEMBLED



### HARDWARE\* PACKED IN BOX #1

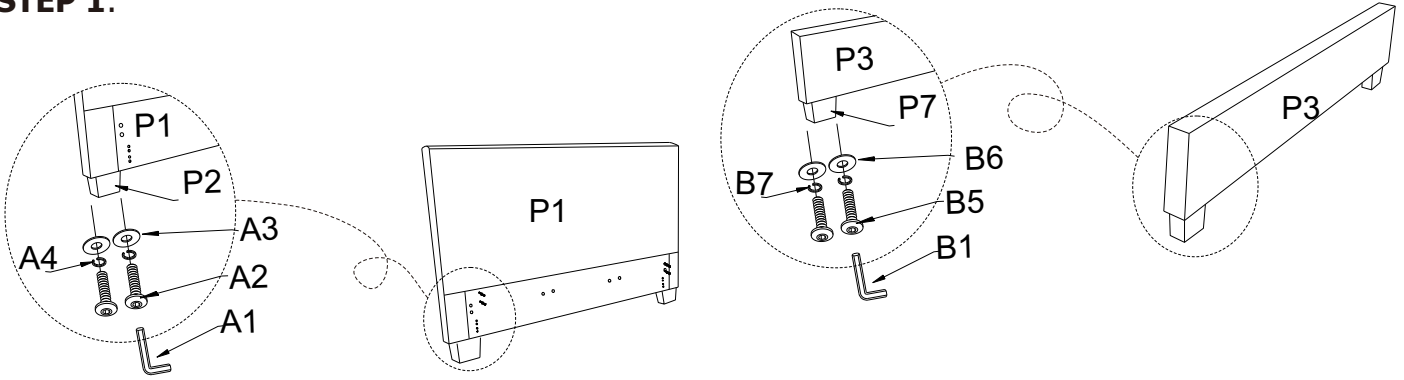
A1	ALLEN KEY 5/16"	1 PC	A2	ALLEN BOLT 5/16"*3.25"	4 PCS	A3	FLAT WASHER 5/16"	4 PCS	A4	LOCK WASHER 5/16"	4 PCS
											
A5	ALLEN KEY 1/4"	1 PC	A6	ALLEN BOLT 1/4"*1"	8 PCS	A7	FLAT WASHER 1/4"	8 PCS	A8	LOCK WASHER 1/4"	8 PCS
											

### HARDWARE\* PACKED IN BOX #2

B1	ALLEN KEY 5/16"	1 PC	B2	SPANNER 5/16"	1 PC	B3	ALLEN BOLT 5/16"*1"	8 PCS	B4	ALLEN BOLT 5/16"*2.5"	8 PCS
											
B5	ALLEN BOLT 5/16"*3.25"	4 PCS	B6	FLAT WASHER 5/16"	28 PCS	B7	LOCK WASHER 5/16"	20 PCS	B8	HEX NUT 5/16"	8 PCS
											

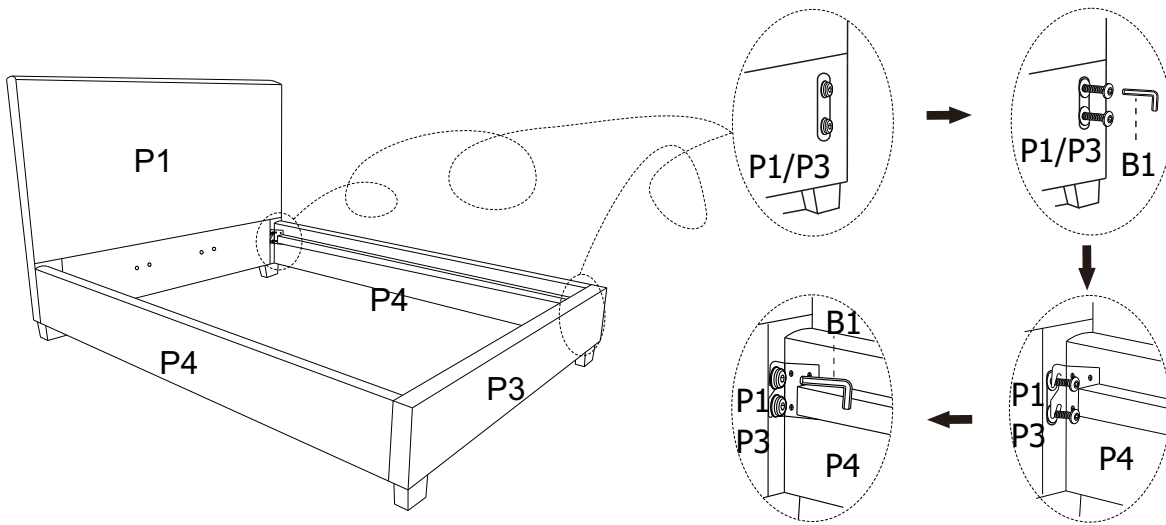


**STEP 1:**



**STEP 2 :**

LOOSEN THE PRE-INSTALLED BOLTS ON HEADBOARD (P1) & FOOTBOARD (P3). CONNECT THE HOOKS ON THE ENDS OF THE SIDE RAIL (P4) TO THE HEADBOARD & FOOTBOARD BOLTS. TIGHTEN THE PRE-INSTALLED BOLTS USING ALLEN KEY (B1).

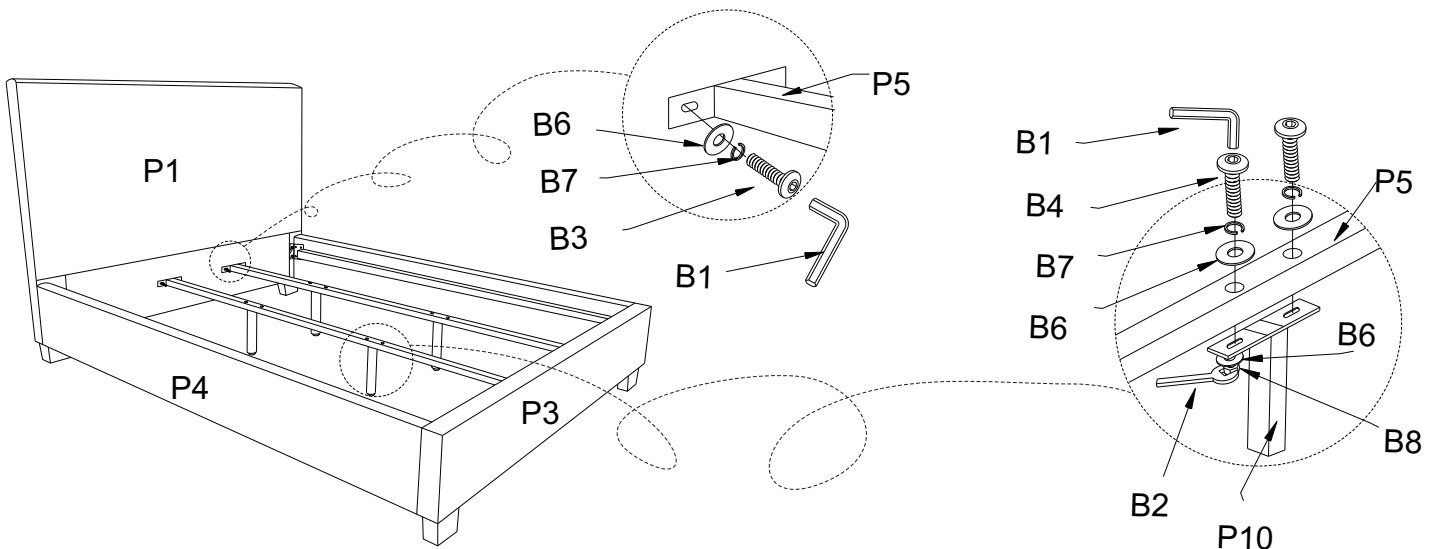


**STOP**

- IF USING BED WITH AN ADJUSTABLE MATTRESS BASE, SKIP STEPS 3,4& 5 AND REFERENCE APPENDIX A: ADJUSTABLE MATTRESS BASE ASSEMBLY SUPPLEMENT.
- IF USING BED FRAME WITH STANDARD BOX SPRING OR FOUNDATION, CONTINUE TO STEP 3.

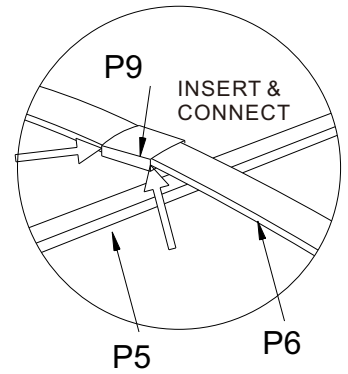
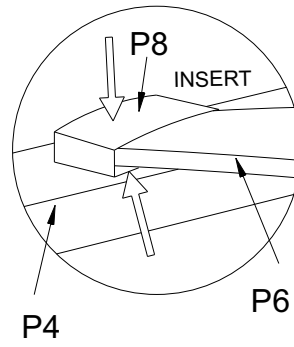
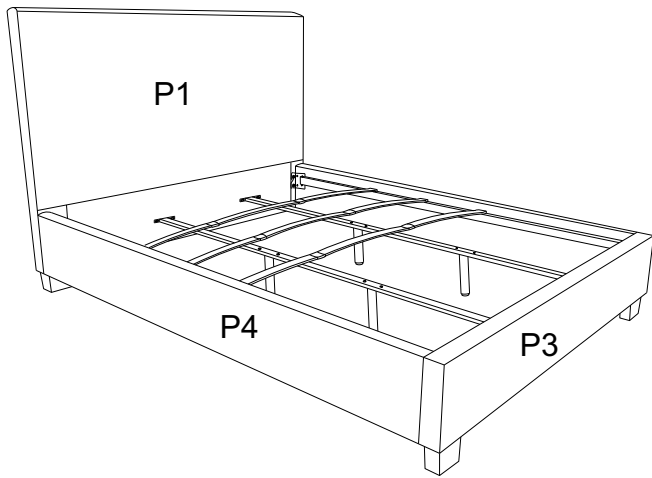
**STEP 3 :**

CONNECT THE CENTER SLAT SUPPORT WITH SUPPORT LEGS (P5 & P10) TO THE HEADBOARD & FOOTBOARD AS SHOWN IN IMAGE.



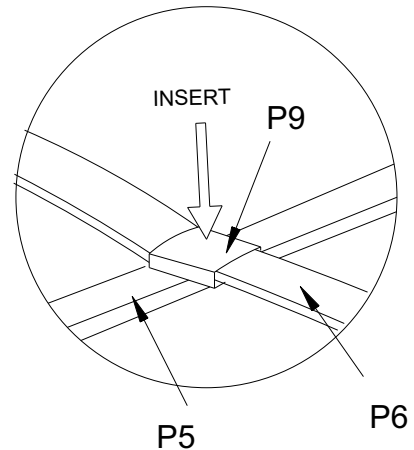
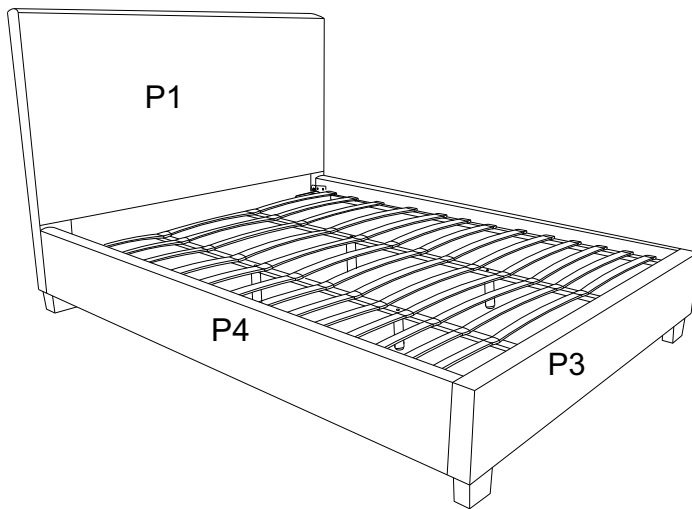
#### STEP 4 :

ATTACH SIDE RAIL SLAT CLIPS (P8) TO SIDE RAIL. INSERT SLATS (P6) INTO SIDE RAIL CLIPS THEN CONNECT THE SLAT SECTIONS WITH CENTER SUPPORT SLAT CLIPS (P9).



#### STEP 5 :

ATTACH CENTER SUPPORT CLIPS (P9), WITH SLATS INSERTED, INTO CENTER SLAT SUPPORT.

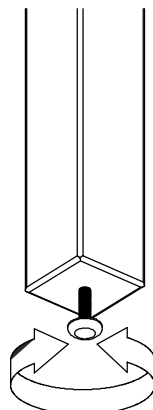


#### INSTRUCTIONS FOR ADJUSTING LEVELERS :

POSITION THE BED IN YOUR ROOM. LOCATE LEVELERS UNDER EACH SUPPORT LEG (P10).

TURN COUNTER-CLOCKWISE TO EXTEND, CLOCKWISE TO RETRACT.

ADJUST LEVELERS UNTIL EACH LEG SUPPORT IS APPLYING EQUAL UPWARD PRESSURE ON THE CENTER SLAT.



#### MAINTENANCE INSTRUCTIONS :

- REMOVE BOX SPRING AND MATTRESS BEFORE MOVING YOUR BED.
- LIFT YOUR BED WHEN MOVING IT. DRAGGING CAN DAMAGE CENTER SUPPORT.
- READJUST LEVELERS AFTER MOVING YOUR BED.

# BED C.KING/E.KING ASSEMBLY INSTRUCTIONS

## APPENDIX A:ADJUSTABLE MATTRESS BASE ASSEMBLY SUPPLEMENT

AN ADJUSTABLE MATTRESS BASE IS A FREESTANDING MATTRESS SUPPORT THAT SITS WITHIN THE PERIMETER OF THE BED FRAME.

IF USING THIS BED FRAME WITH A STANDARD BOX SPRING OR FOUNDATION THESE INSTRUCTIONS DO NOT APPLY.

PRE-ASSEMBLED SIDE RAIL CLEATS OBSTRUCT ADJUSTABLE BASE INSTALLATION AND OPERATION. FOLLOW THESE INSTRUCTIONS TO REMOVE THEM.

### **WARNING!**

SIDE RAIL CLEATS ARE HELD IN PLACE USING PHILLIPS HEAD SCREWS. ONCE THEY ARE REMOVED THE USER WILL NOT BE ABLE TO SAFELY RE-INSTALL THE SIDE RAIL CLEATS FOR FUTURE USE WITH A STANDARD BOX SPRING OR FOUNDATION.

### **THE FOLLOWING PARTS ARE NOT REQUIRED FOR ADJUSTABLE MATTRESS BASE INSTALLATION:**

P5. CENTER SLAT SUPPORT	2 PCS
P6. SLAT	39 PCS
P8. SIDE RAIL SLAT CLIP	26 PCS
P9. CENTER SUPPORT SLAT CLIP	26 PCS
P10. CENTER SUPPORT LEG	4 PCS

### **STEP 1 :**

USE A PHILLIPS HEAD SCREWDRIVER (NOT PROVIDED) TO UNSCREW THE PHILLIPS SCREWS AND REMOVE THE PRE-ASSEMBLED SIDE RAIL CLEATS.

