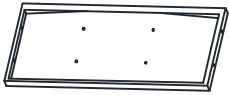


# ASSEMBLY INSTRUCTIONS

## QUEEN HEADBOARD

**A** Upper Part of Headboard



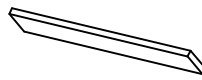
1pc

**B** Lower Part of Headboard



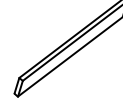
1pc

**C** Left Side Panel



1pc

**D** Right Side Panel



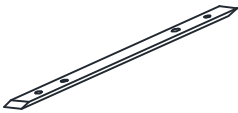
1pc

**E** Single-Sided Cover  
(In other carton)



1pc

**F** Slat



2 pcs

**G** Bolt  
1/4" x 50mm



16 pcs

**H** Lock Washer  
1/4"



16 pcs

**I** Flat Washer  
1/4"

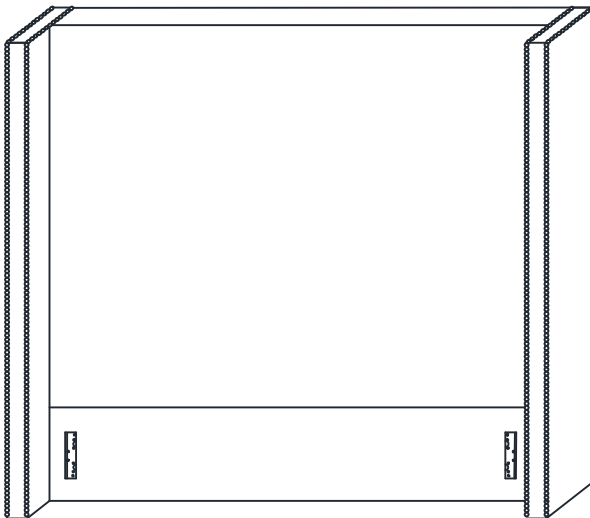


16 pcs

**J** Allen Wrench  
1/4"



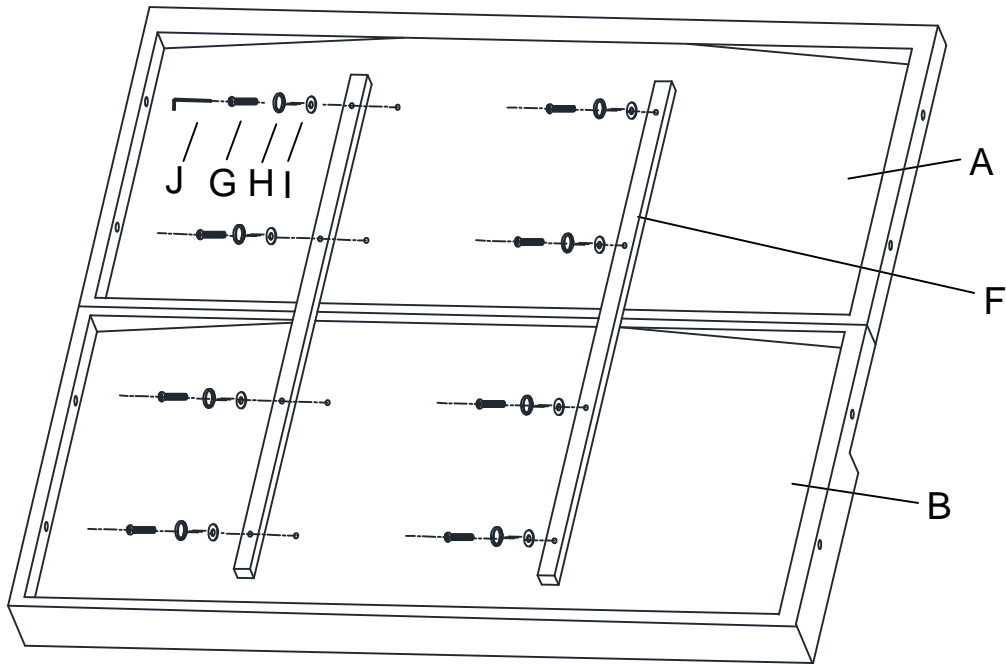
1pc



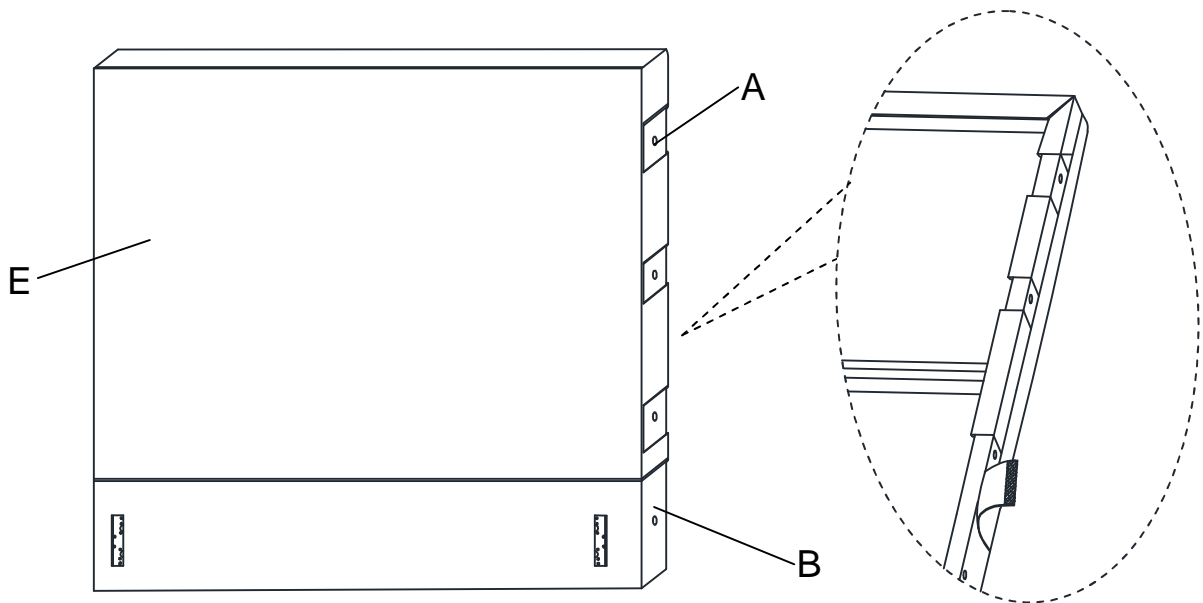
This page lists all the contents included in the box. Please take the time to identify the hardware as well as the individual components to this product. As you unpack and prepare for assembly, place the contents on a carpeted or padded area to protect them from damage.

**Notice: This product requires more than two people for assembly.**

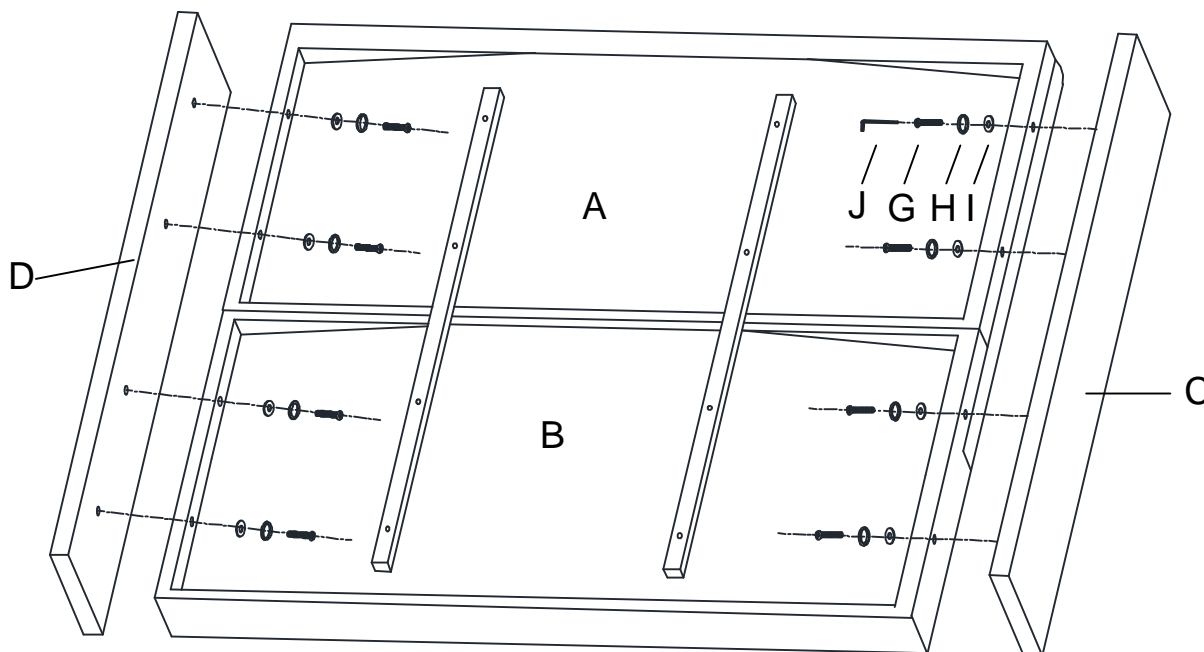
- 1** Attach Slat (F) to Upper & Lower Part of Headboard (A & B) using Bolt (G), Lock Washer (H) and Flat Washer (I) with Allen Wrench (J).



- 2** Place Single-Sided Cover (E) on the front of Headboard (A & B), then attach the Velcro at the back of Headboard (A & B).



**3** Attach Left & Right Side Panel (C & D) to Headboard (A & B) using Bolt (G), Lock Washer (H) and Flat Washer (I) with Allen Wrench (J).



**Helpful Tip:**

- After assembly, if fabric is not smooth or wrinkled, please iron it.

---

**Cleaning & Care**

Treat surfaces with care. Surfaces are resistant to scratches but are not scratch resistant. Clean surfaces with a dry or damp soft cloth. Do not use abrasive cleaners. Hardware may loosen over time. Periodically check that all connections are tight.

# ASSEMBLY INSTRUCTION

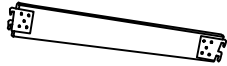
## WINGBACK QUEEN AND FULL BED WITH REGULAR SLATS

**A** Footboard



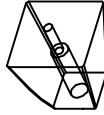
1 pc

**B** Side Rails



2 pcs

**C** Wooden Leg



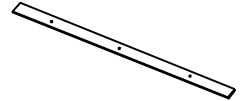
2 pcs

**D** Support Leg



6 pcs

**E** Wooden Slat



3 pcs

**F** Screw



12 pcs

**G** Bolt  
1/4" x 75mm



2 pcs

**H** Bolt  
1/4" x 50mm



6 pcs

**I** Flat Washer



8 pcs

**J** Lock Washer

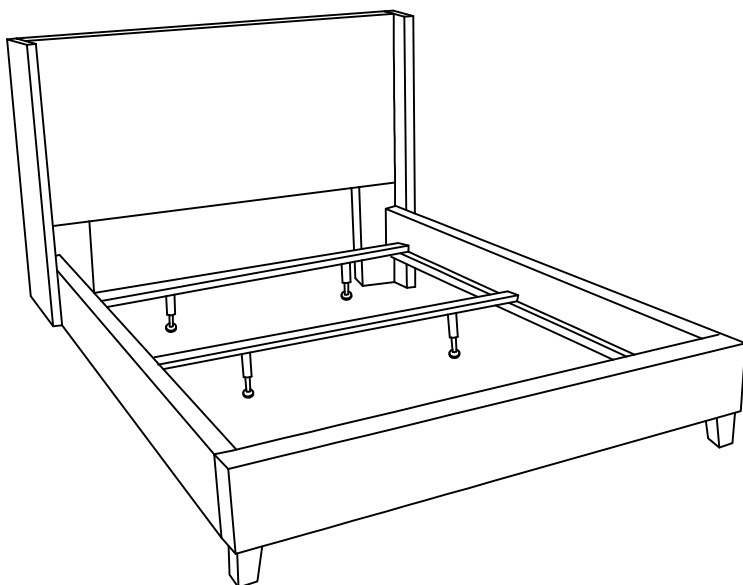


8 pcs

**K** Allen Wrench

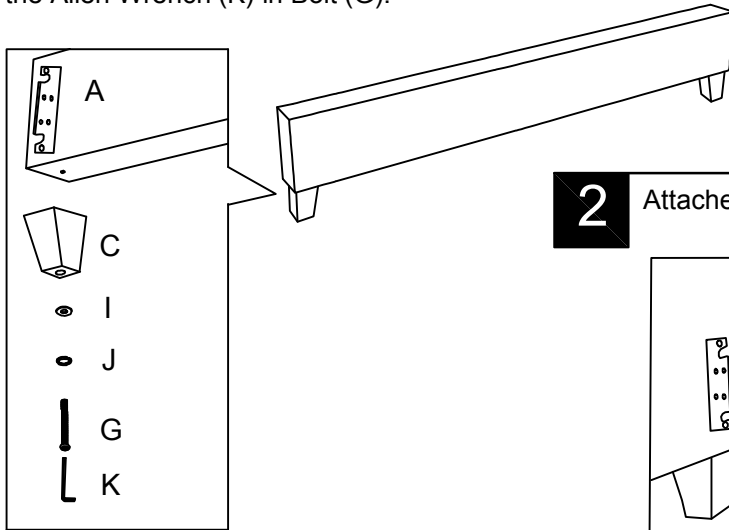


1 pc

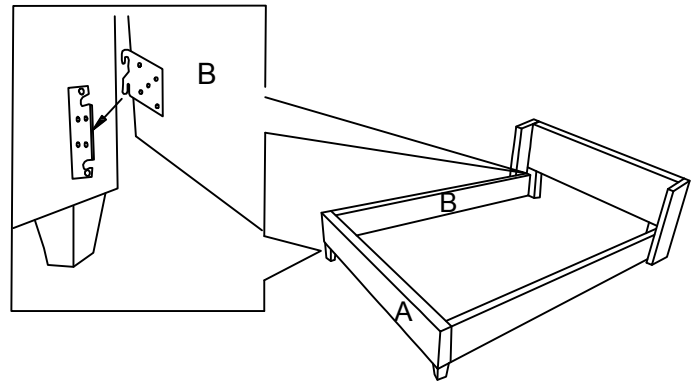


This page lists all the contents included in the box. Please take the time to identify the hardware as well as the individual components to this product. As you unpack and prepare for assembly, place the contents on a carpeted or padded area to protect them from damage.

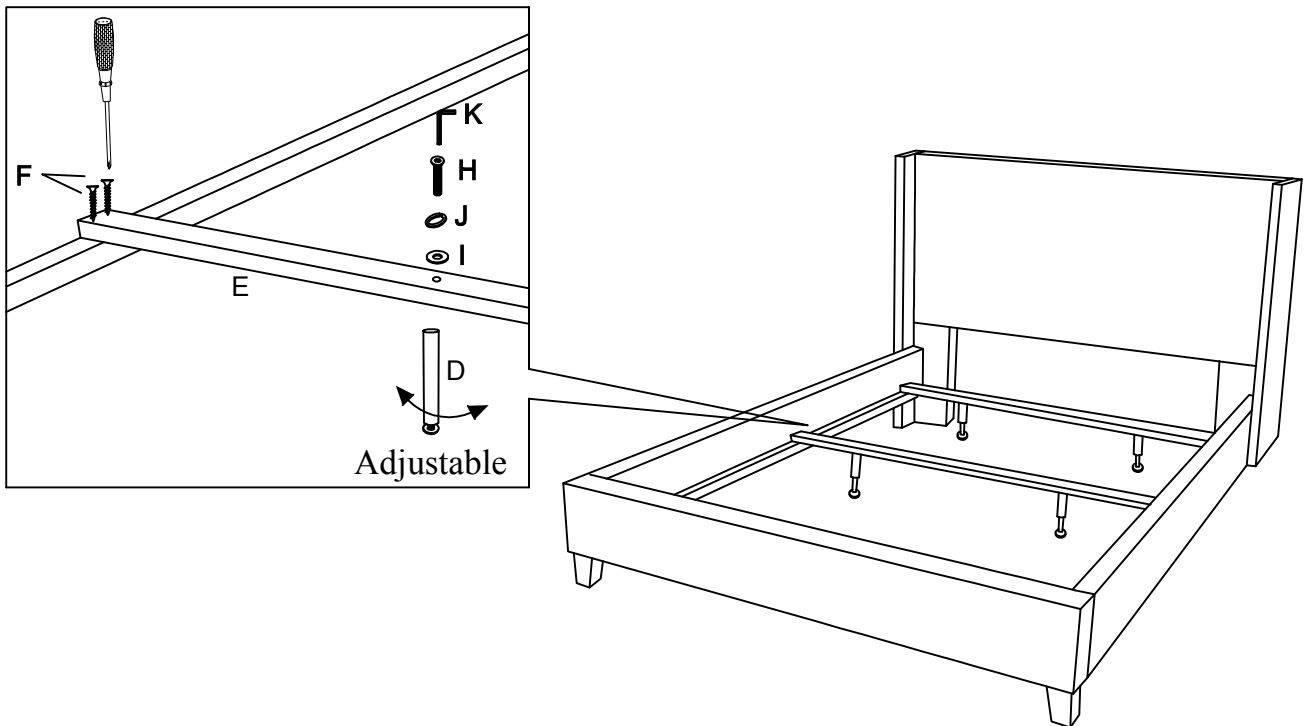
- 1** Attached Wooden Leg (C) to the Footboard (A) use Bolt (G), Lock Washer (J) and Flat Washer (I) on both of holes. Turn the Allen Wrench (K) in Bolt (G).



- 2** Attached Side Rail (B) to the Headboard and Footboard (A).



- 3** Assembly Wooden Slats (E) and Support Leg (D) use Flat Washer (I), Lock Washer (J) and Bolt (H), Turn the Allen Wrench (K) in Bolt (H).

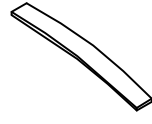


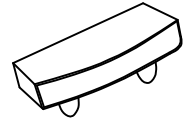
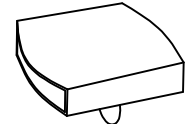
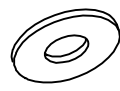






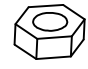




### Cleaning & Care

Treat surface with care. Surface is resistant to scratches but is not scratch resistant. Clean surfaces with a dry or damp soft cloth. Do not use abrasive cleaners. Hardware may loosen over time. Periodically check that all connections are tight.

# ASSEMBLY INSTRUCTION

## FULL & QUEEN BED - EURO SLATS PARTS

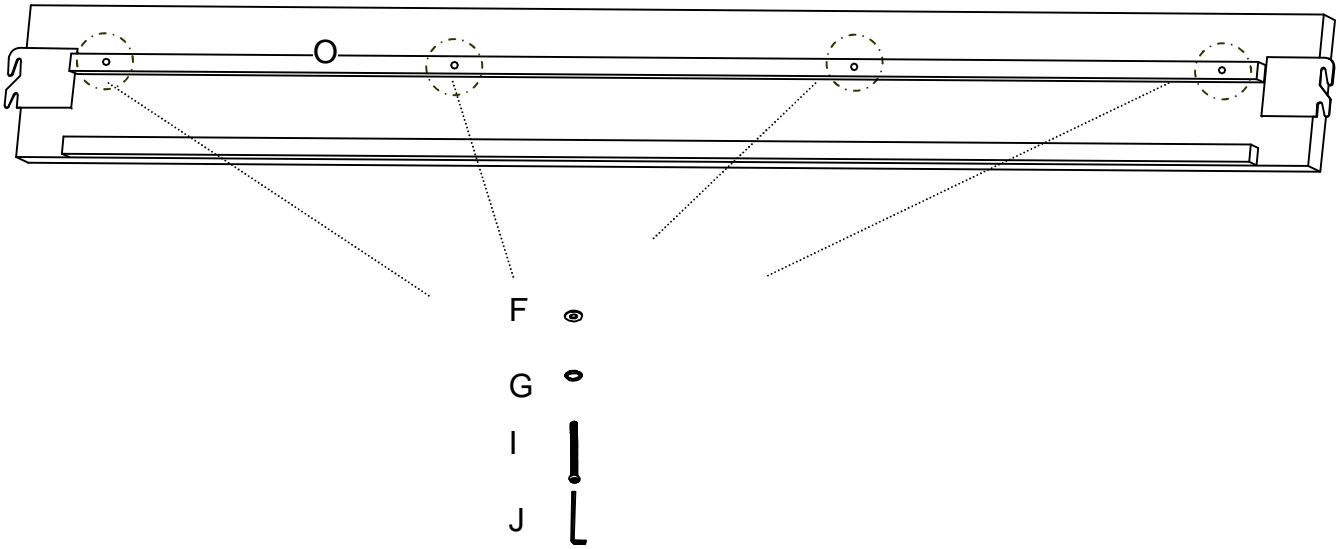
<b>A</b> Wooden Slat	<b>B</b> Support Leg	<b>C</b> Iron Pipe	<b>D</b> Single-Sided Cover	<b>E</b> Double-Sided Cover
				
26pcs	4pcs	1pc	26pcs	13pcs
<b>F</b> Flat Washer	<b>G</b> Lock Washer	<b>H</b> Bolt 1/4" x 30mm	<b>I</b> Bolt 1/4" x 50mm	<b>J</b> Allen Wrench
				
20pc	17pcs	2pcs	12pcs	1pc
<b>K</b> Iron Pipe	<b>L</b> Bolt 1/4" x 65mm	<b>M</b> Nut	<b>N</b> Wrench	<b>O</b> Iron Pipe
				
1pc	3pcs	3pcs	1pc	2pcs



This page lists all the contents included in the box. Please take the time to identify the hardware as well as the individual components to this product. As you unpack and prepare for assembly, place the contents on a carpeted or padded area to protect them from damage

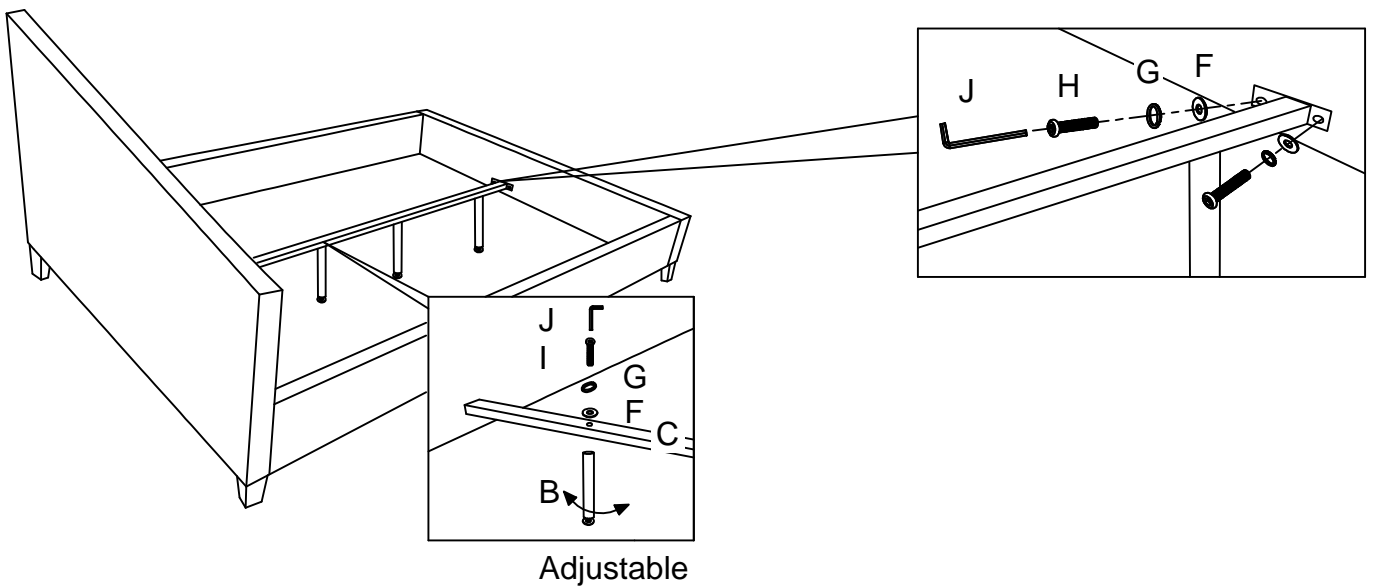
1

Attached Iron Pipe(O) to the both Side Rails use Bolt(I), Flat Washer(F), Lock Washer(G) by Allen Wrench(J).



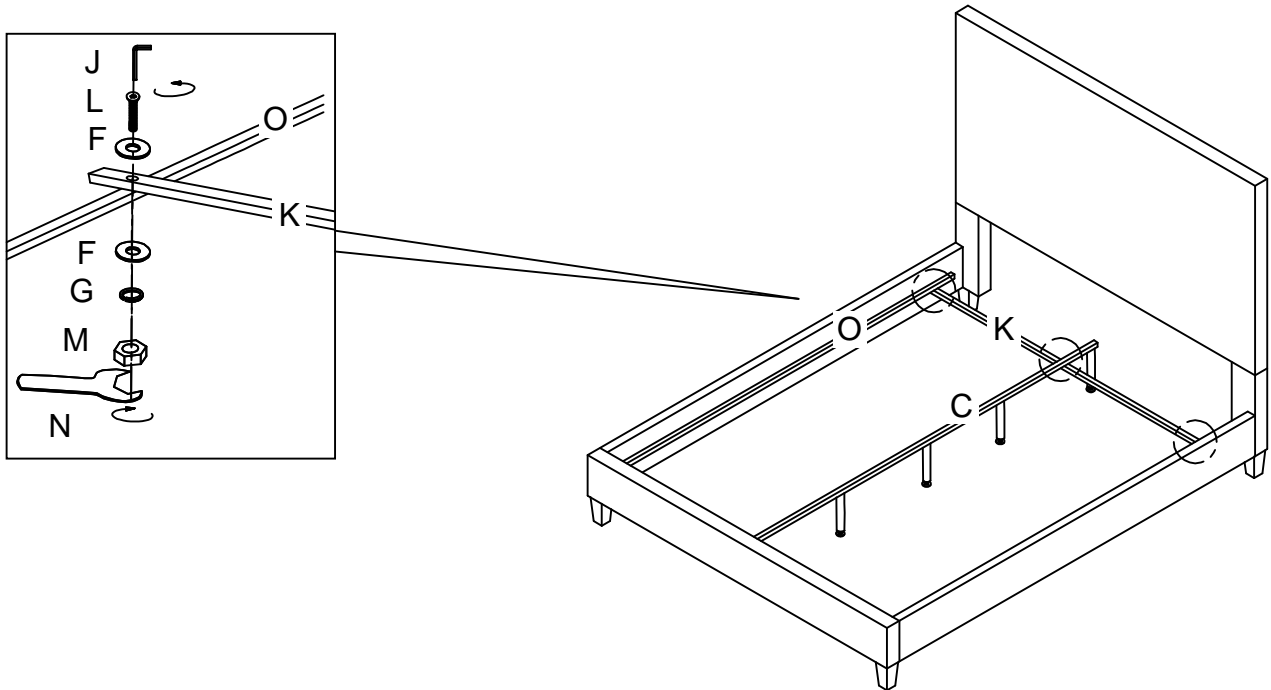
2

Attached Support Leg(B) to the Iron Pipe(C) use Bolt(I), Flat Washer(F), Lock Washer(G) by Allen Wrench(J). Then assembly Iron Pipe(C) to Footboard use Bolt(H), Flat Washer(F), Lock Washer(G) by Allen Wrench(J).

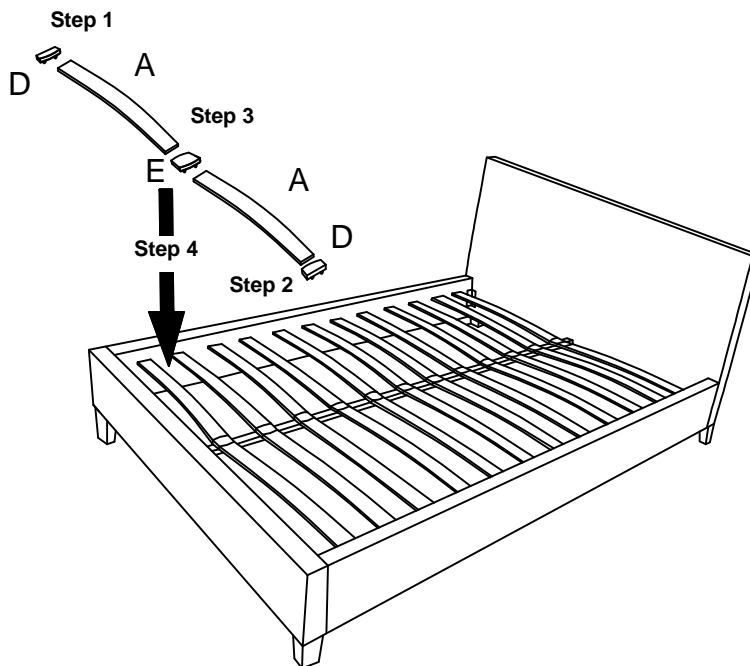


**3**

Assembly Iron Pipe(K) to Iron Pipe (O) and Iron Pipe(C) use Bolt(L), Flat Washer(F), Lock Washer (G), Nut(M) by Allen Wrench(J) & Wrench(N).

**4**

Attach Wooden Slat(A) with Single-Sided Cover(D) at both end, then attach the Wooden Slat(A) into Double-Sided Cover(E) and press downward Double-Sided Cover(E) lock in the hole on the center metal rail.



### Cleaning & Care

Treat surface with care. Surface is resistant to scratches but is not scratch resistant. Clean surfaces with a dry or damp soft cloth. Do not use abrasive cleaners. Hardware may loosen over time. Periodically check that all connections are tight