

Swing Set

Assembly Instructions



We recommend 2+ adults for assembly.

Before starting assembly, please make sure the parts are complete, identify and separate all parts first.

Keep this manual for future reference.

SAFETY INSTRUCTIONS

The Safety Of Your Children Is Our Primary Concern!

- The swing set is not intended for public use. ONLY intended for domestic use.
- All who participate in the assembly process should wear safety glasses throughout the assembly.
- Children MUST NOT use this swing set until the unit has been completely assembled.
- We recommend that you set up the swing set on an even surface and maintain a distance of at least 2 m from other structures or obstacles, e.g. fence, garage, house, projecting branches, clotheslines or electric cables.
- Not suitable for children below 3 years of age. Risk of strangulation!
- Children below 3 years of age are still unable to maintain their balance.
- Since children have different development patterns, please check beforehand if your child is able to maintain his balance.
- DO NOT allow children to walk close to, in front of, behind, or between moving swings or other moving playground equipment.
- Instruct children to avoid swinging empty seats.
- Teach children to sit in the center of the swings with their full weight on the seats, never stand or kneel on the swing seat.
- Instruct children NOT to get off the swing while it is in motion.
- The recommend height from the ground to swing seat is 20in (50cm).

MAINTENANCE INSTRUCTIONS

- IT IS IMPORTANT TO CHECK AND TIGHTEN ALL HARDWARE AT THE BEGINNING AND DURING THE SEASON, otherwise the equipment may overturn and/or become a hazard.
- Do not expose the swing to the weather during longer periods of rain and in autumn / winter.
- Always replace defective parts with original spares.

At the beginning of each play season

- Tighten all hardware.
- Lubricate all metallic moving parts.
- Check all protective coverings on bolts, pipes, edges and comers. Please replace in time if they are loose, cracked or missing.
- Check all moving parts including ropes, swing seats, cables and chains for wear, rust or other deterioration.

Twice a month during play season

- Tighten all hardware.
- Check all protective coverings on bolts, pipes, edges and comers. Please replace in time if they are loose, cracked or missing.

Once a month during play season

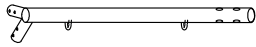
- Lubricate all metallic moving parts.
- Check all moving parts including ropes, swing seats, cables and chains for wear, rust or other deterioration.

At the end of each play season or when the temperature drops below 32°F

- Remove plastic swing seats and other items and take them indoors or do not use.
- Rake and check depth of loose fill protective surfacing materials to prevent compaction and maintain appropriate depth. Replace as necessary.

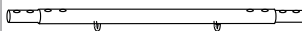
Parts List

A1 x 1



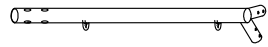
Tube for hanging platform swing

A2 x 1



Tube for belt swing

A3 x 1



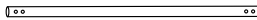
Tube for toddler swing

B x 2



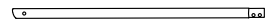
Reinforcing armor

C1 x 4



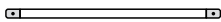
Top Leg

C2 x 4



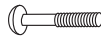
Bottom Leg

D x 2



Side Bar

E1 x 16



Long Screw Bolt

E2 x 8



Short Screw Bolt

E3 x 24



Lock Nut

E4 x 40



washer

F x 1



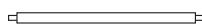
Platform swing

G1 x 2



U tube with foam for square swing

G2 x 2



Long tube with foam for square swing

G3 x 2



Swing ropes (bolts included)

H x 1



Belt swing

I x 6



Carabiner

J x 1



Iron bar for anchor installation

K x 4



Spring Stakes

L x 1



Spanner

L2 x 1



M6 Spanner

M x 1



Spring Stakes

M2 x 1



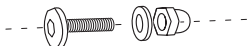
M6 Spanner

N x 1



toddler swing part

O x 6



screw with nut for toddler swing

P x 2



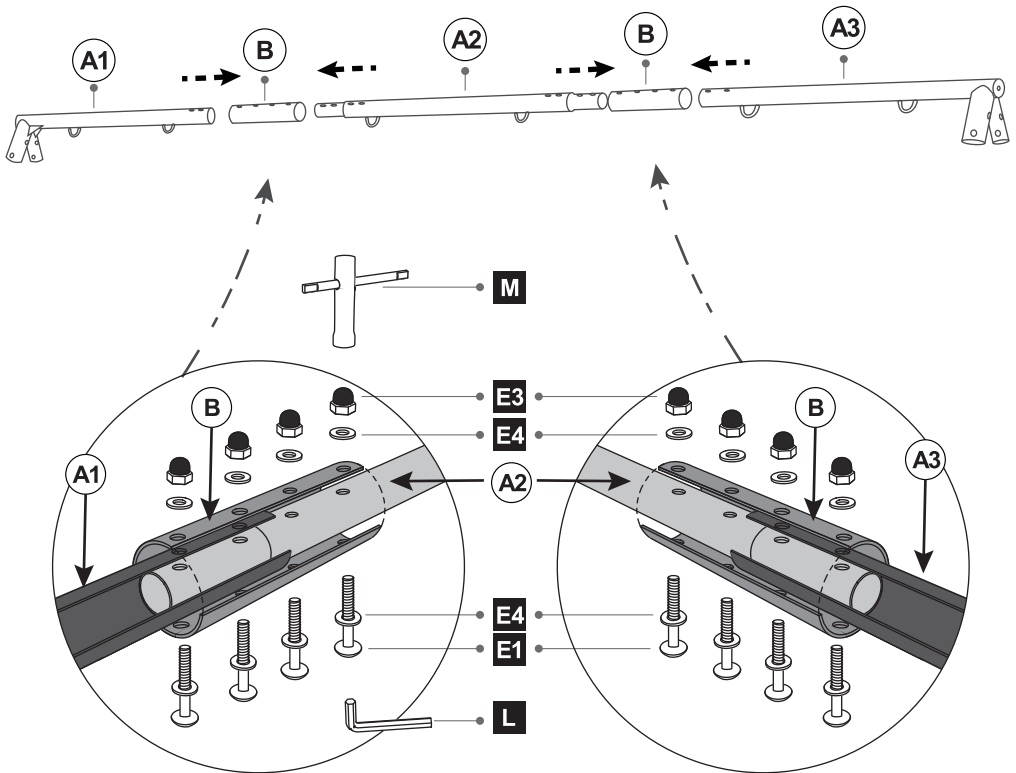
Spanner

Assembly Instructions

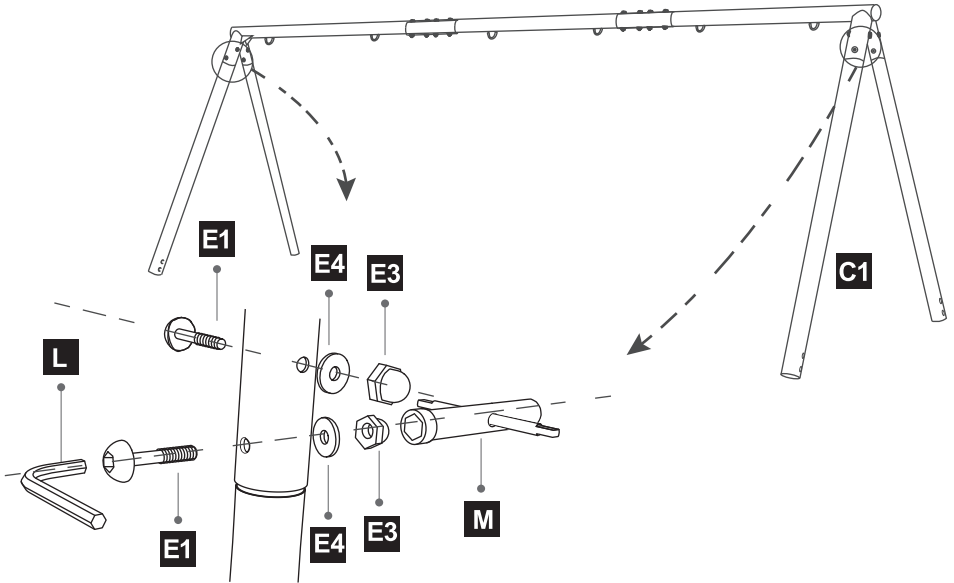
Step 1: Assemble the top bar frame

Connect the A1 tube and A2 tube and secure with casing tube B and accessories E1, E4 and E3, Connect the A3 to A2 tube and secure with casing tube B in the same way, as shown below

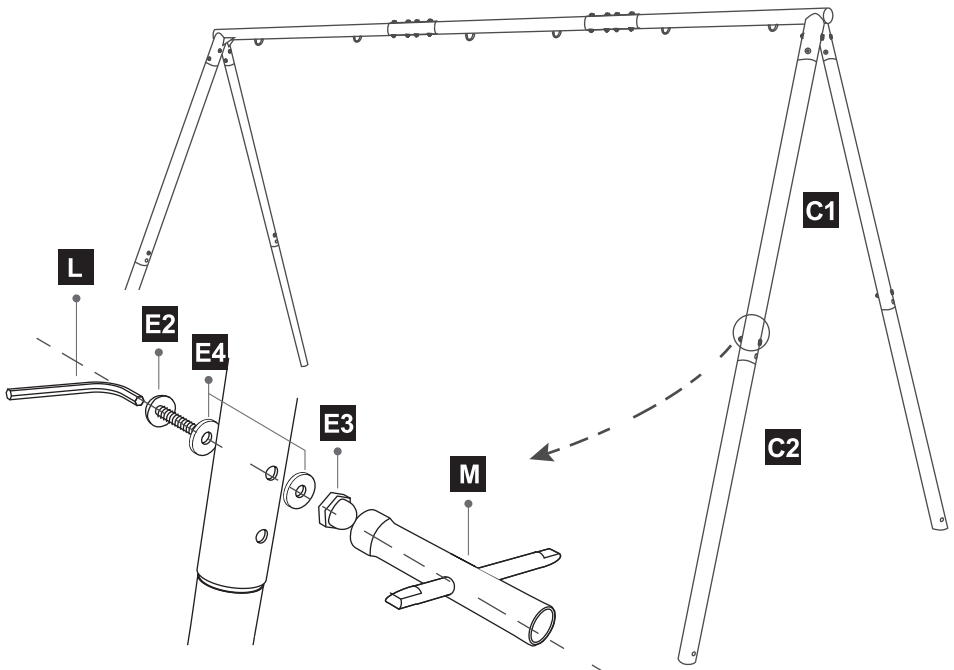
NOTE: For easier assembly, do not tighten the bolts all the way initially to allow room for adjustment. You must go back and fully tighten all bolts after the entire swing set is assembled.



Step 3: Install the upper leg and tighten the screws with a spanner.
(Note: All the bolts on the leg tubes need to face outwards)



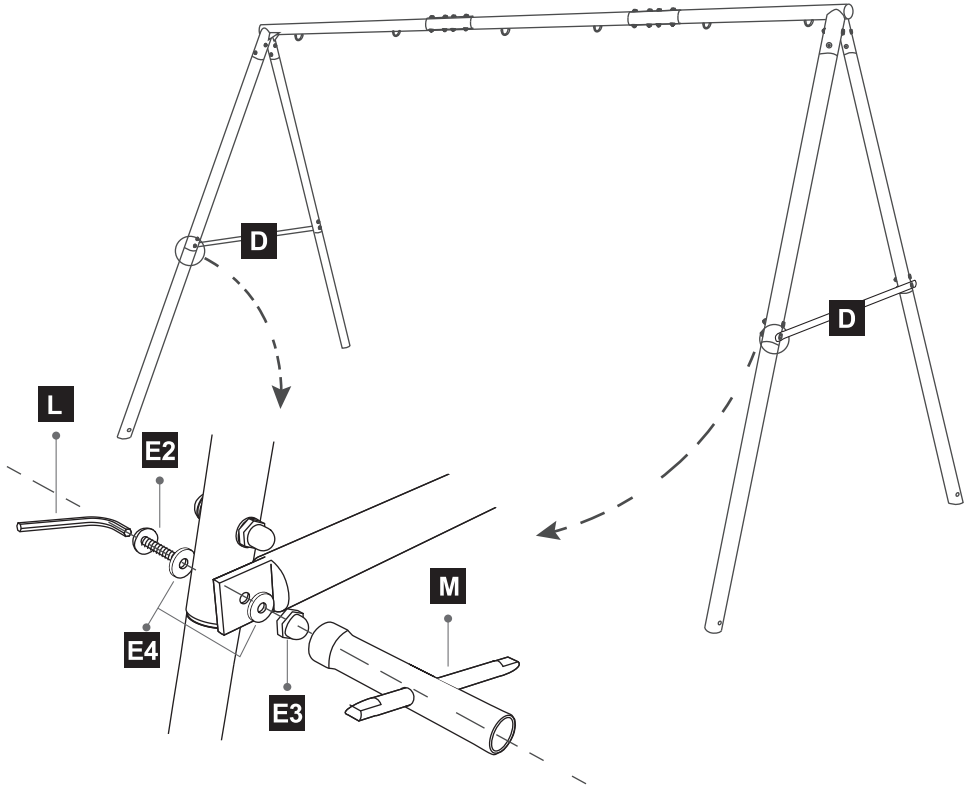
Step 4: Insert the bottom leg to the upper leg.



Side Bars Installation

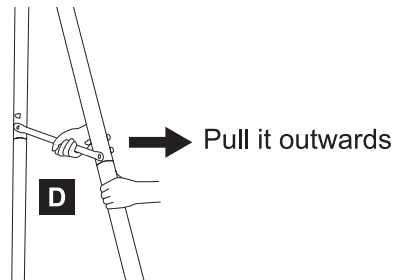
Follow the below steps to install the side bars after you finish Step 4 installing the leg tubes:

Step 5: Install the side bar, fix the legs and side bar with leg screw kits.



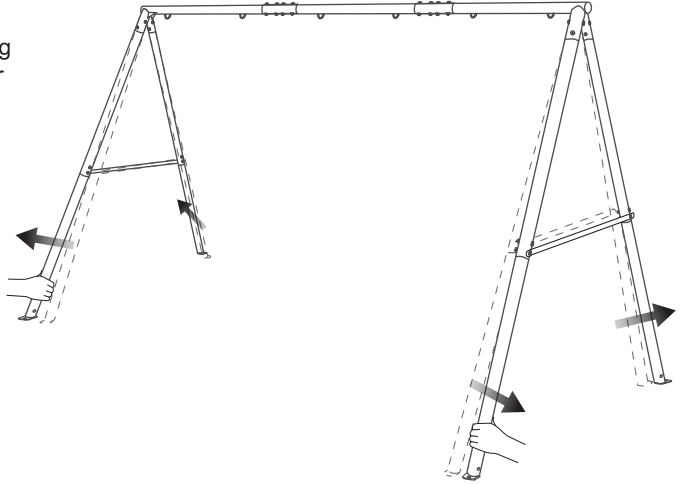
Note.

- Hold the other leg tube and pull it outwards until the bar hole aligns to the LOWER tube hole.
- Insert the nuts and screw it tightly.

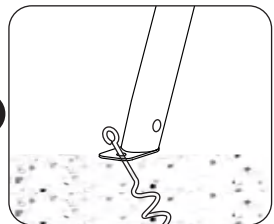
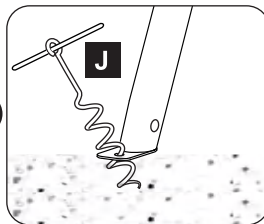
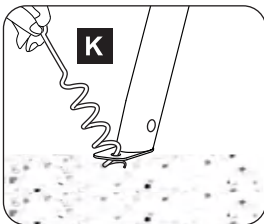
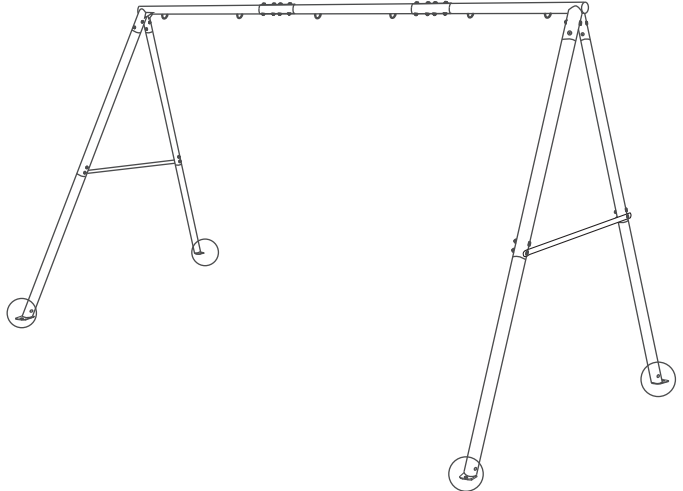


Install All the Spring Stakes

Step 6: To secure the swing set more firmly, pull the four feet outward slightly before assembling the stakes

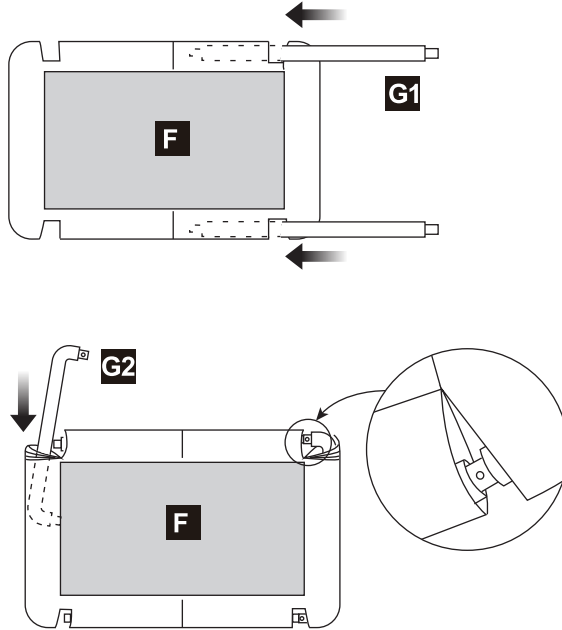


Step 7: The stake should be fixed firmly to or be buried under the ground.

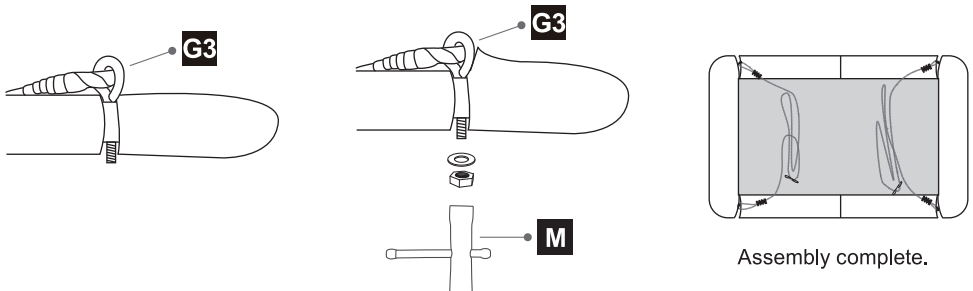


Install the platform swing

1. Insert 4 tubes into the swing seat.
2. Connect two joints at the left side of swing, make sure two holes align.
3. Align the pipe ends at the right side of swing, then push down the short tube gently until it is even.

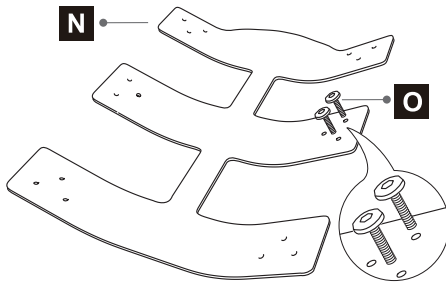


4. Insert the bolt into the hole at the front side of swing.
5. Put the washer and nut onto the bolt, and tighten with a wrench until 3-4 threads of bolts are exposed. Please make sure all the screws are tightened for your safety. (You need a wrench to fasten nut.)
6. Assembly complete.

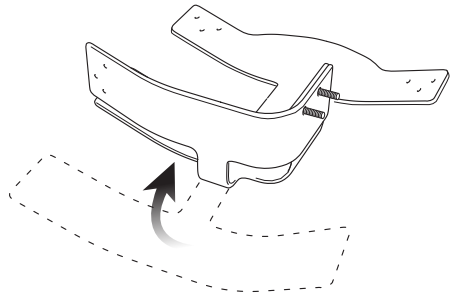


Toddler swing assembly

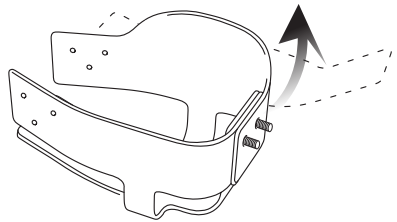
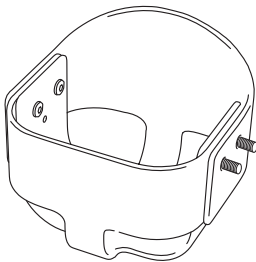
1. Take 2 screws P, pass them through the middle of the baby swing's one pierced leaf, threading from the inside to the outside



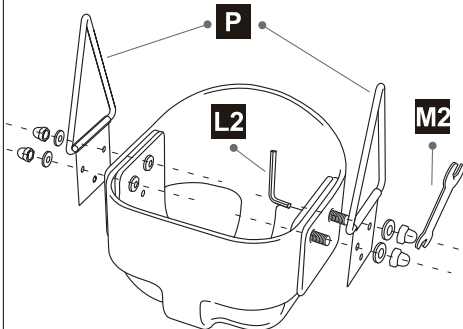
2. Thread the left and right swing blades separately through these 2 screws.



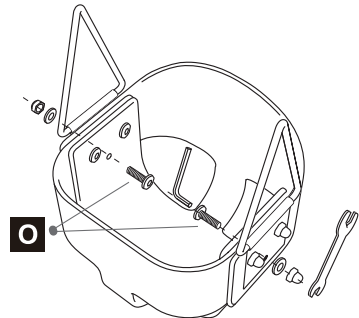
3. Assemble the other end of the swing using the same method,



4. Thread the iron piece with rope from the outer side through the screws, and secure these two screws with nuts.



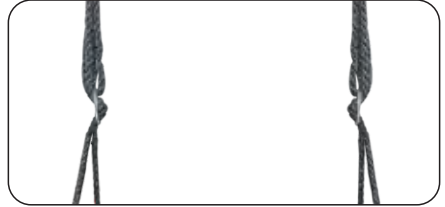
5. Take one P screw and thread it from the inside through the third hole on the swing. If you encounter difficulties, you can use wrench L2 to turn the screw in. Then, tighten the nut to secure it in place.



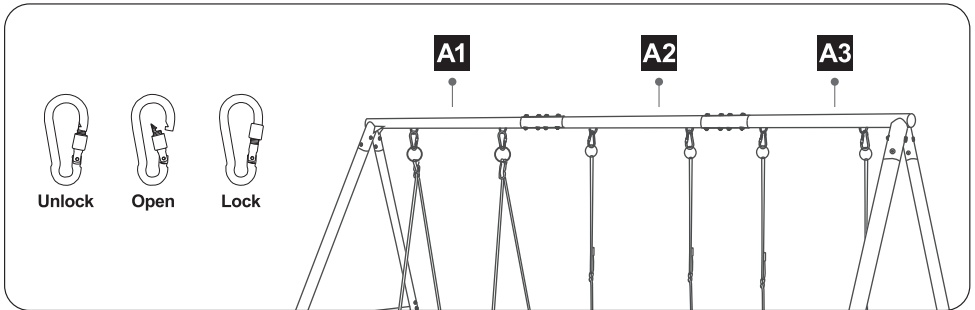
Installation

1. Adjust the length and keep balance.

Rope



2. Make sure the screw lock of carabiner is 100% tightened.



3. Make sure the Platform swing is hanging on the A1 tube.

Installation Complete

