

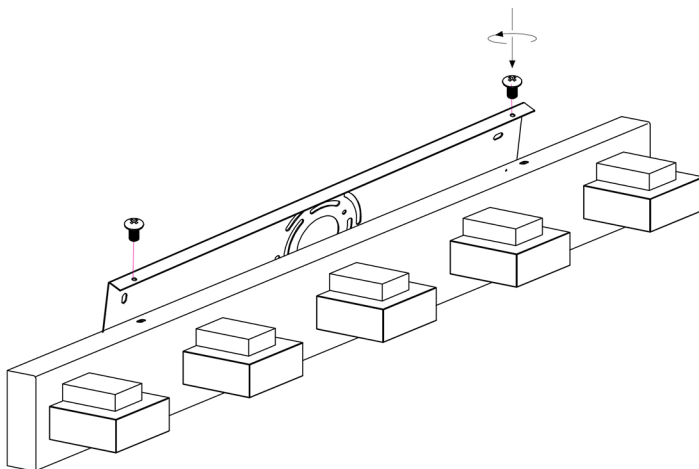
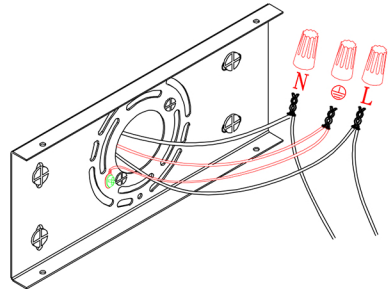
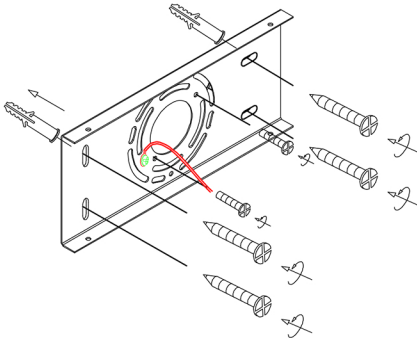
LED Vanity Light

5820-5T
INSTALLATION SHEET

NOTE:

- * Make sure **POWER** is **COMPLETELY OFF** at the fuse box
- * Have your fixture installed by a qualified licensed electrician
- * Prepare everything in a clear area
- * Wear gloves at all time during this installation
- * Read instructions carefully before you start assembly
- * Keep this installation sheet for future reference

- 1.Remove fixture from its original package
- 2.Separate mounting plate from fixture body by removing canopy screws
- 3.Attach mounting plate to electrical junction box using screws provided in hardware package
- 4.Make proper electrical connections (black to hot “”, white to neutral “N” ground to “GND”) with wire nuts provided in hardware package
- 5.Align mounting plate to holes on fixture body, and then attach using canopy screws



5820-5T