

WELLFOR

MB/BN/BG/ORB/CP



LUXURY SHOWER SYSTEM INSTALLATION

Website: www.wellfor.com

Customer Service: 206.809.0093

Email: service@wellfor.com

INSTALLATION INSTRUCTLONS

We recommend consulting a professional if you are unfamiliar with installing plumbing fixtures. WELLFOR accepts no liability for any damage to the plumbing, floor, walls, tub, or for personal injury during installation. Please observe all local plumbing and building codes.

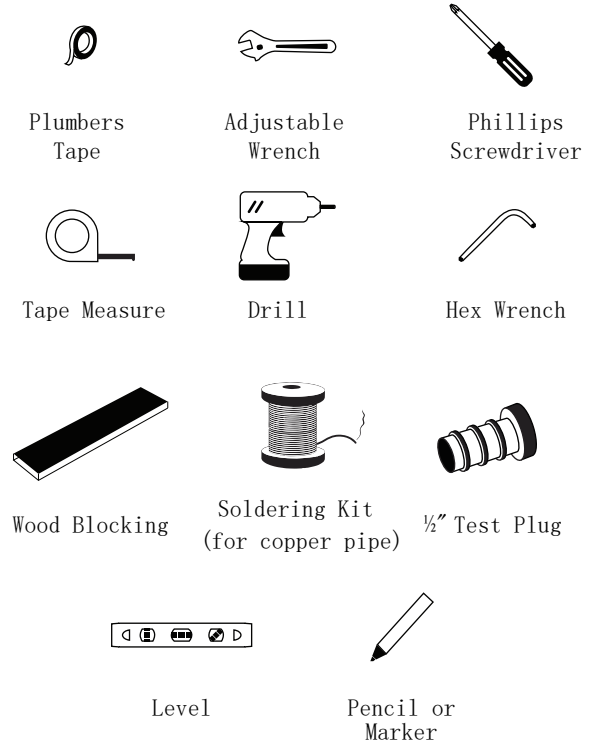
GETTING STARTED

- Ensure that you have gathered all the required materials that are needed for the installation.
- For the following installation instructions, it is assumed that the wall has been opened and that the existing shower set has been removed.
- Before you begin, the main water supply to your home should be shut off.

INSTALLATION PRECAUTIONS

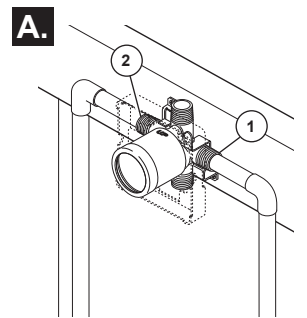
- Unpack and inspect the items for shipping damage. If any damage is found, contact our Customer Relations team.
- The impurities in the water supply pipe must be cleared before installation to avoid blockage.
- The hot water supply is on the left and the cold water supply is on the right. Incorecct connection will cause permanent damage to the cartridge.
- The water pressure of facuet is 0.05MPa-1.0 Mpa(including cold water and hot water pressure).Applicable water temperature rangis 39°F-194°F.

TOOLS AND MATERIALS:

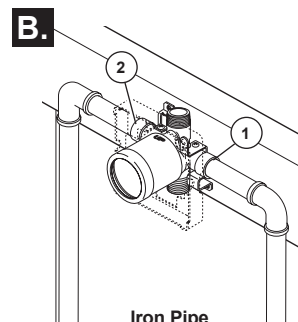


CONNECTION ADVICE

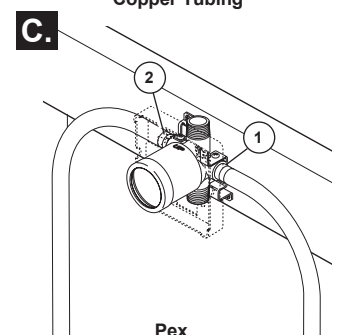
*The model shown in the installation steps may differ from the one in box however connection type and installation steps are the same.



Copper Tubing



Iron Pipe



Pex

Note: (1) is the cold inlet port and (2) is the hot inlet port.

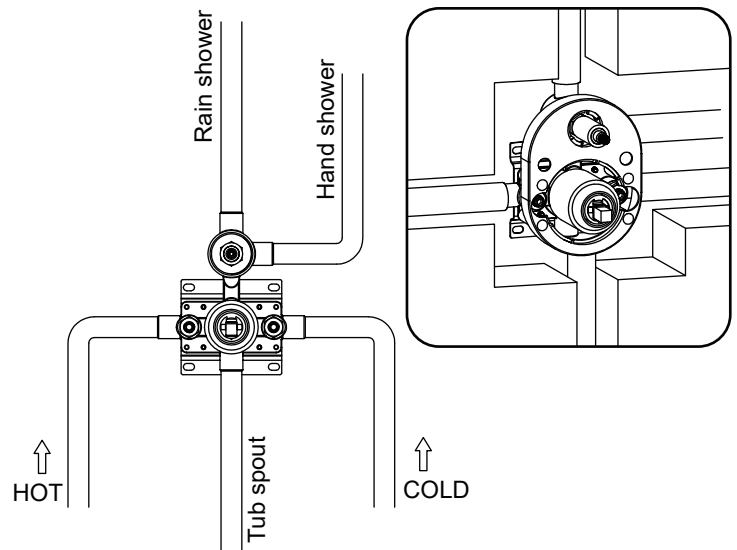
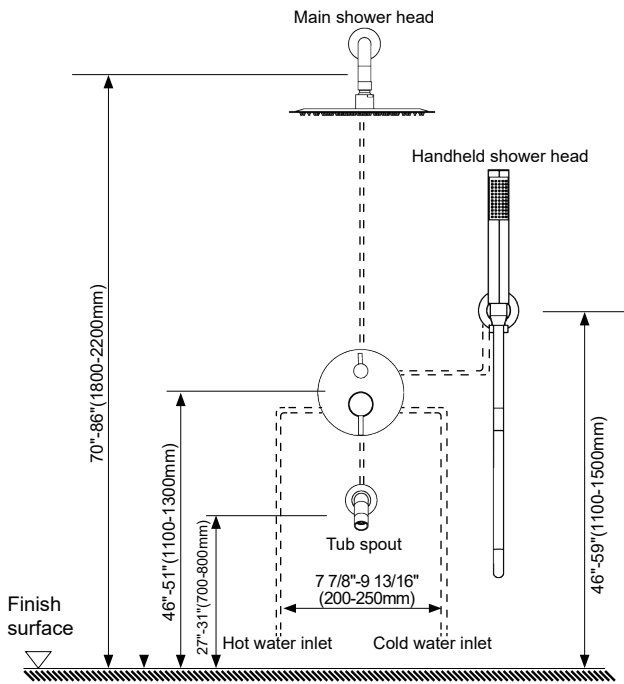
INSTALLATION STEPS

This product has been inspected and debugged by the factory to the best condition. Please do not disassemble and assemble it yourself.

Before installing the faucet, please be sure to remove sundries and sludge from the water pipe to prevent sundries from blocking the faucet.

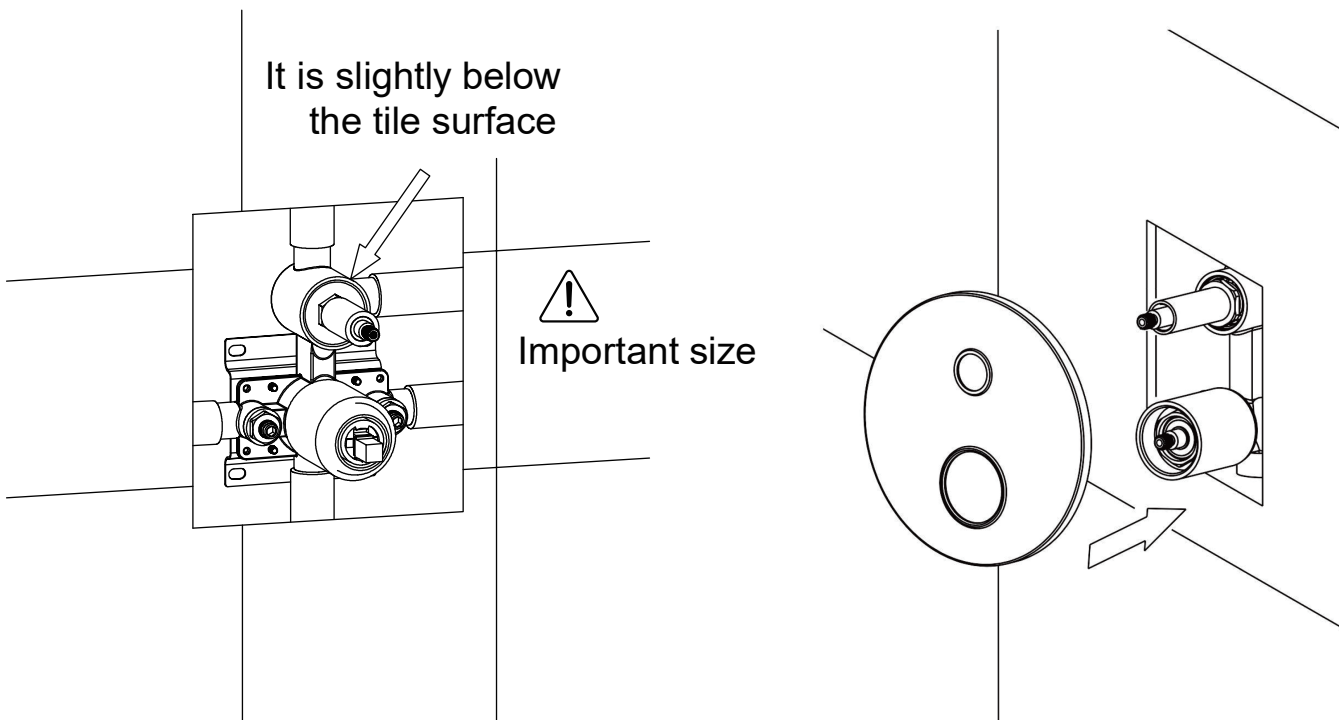
1. Dig pipe grooves for pre-burying pipes.

2. Install main body and inlet pipe.



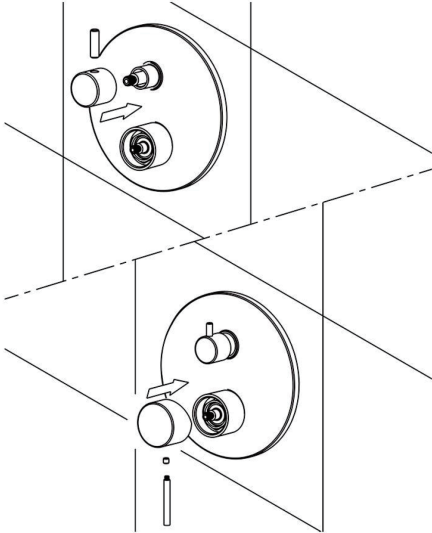
3. Inlet pipe surface slightly below the tile surface/finished wall surface.

4. Install the trim plate.

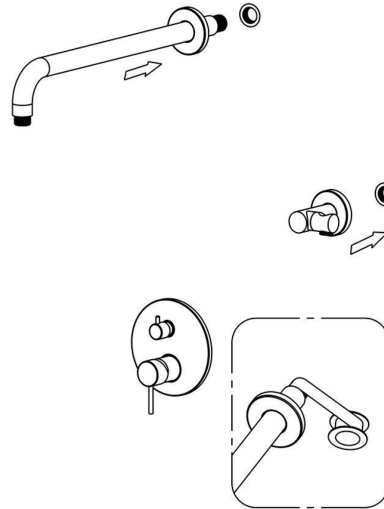


INSTALLATION STEPS

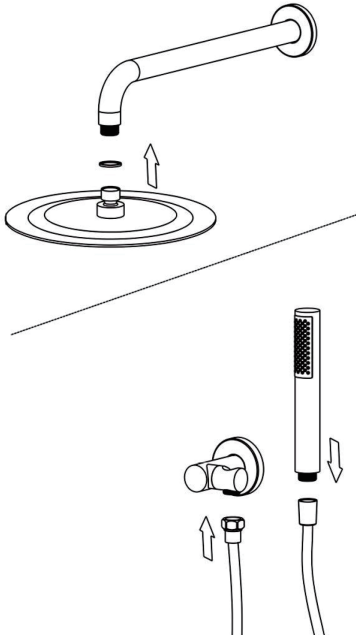
5. Install diverter and handle.



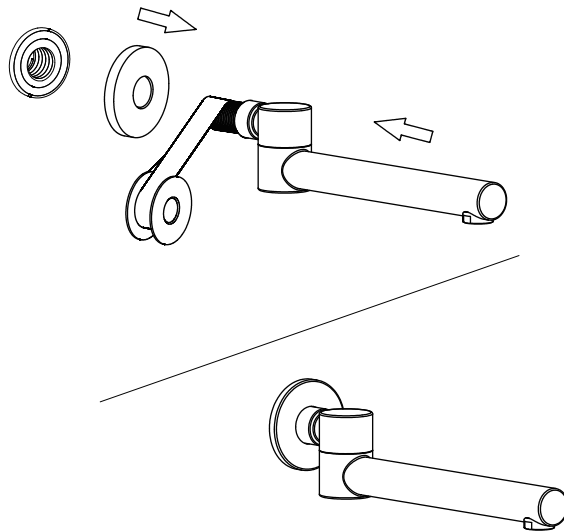
6. Install shower arm and hand shower bracket (wrap the PTFE tape on the thread).



7. Install shower head and hand shower Finished.



8. Install the tub spout.



CLEANING CARE

In order to keep the appearance of faucet clean, bright and good performance, please take care of the faucet as follows;

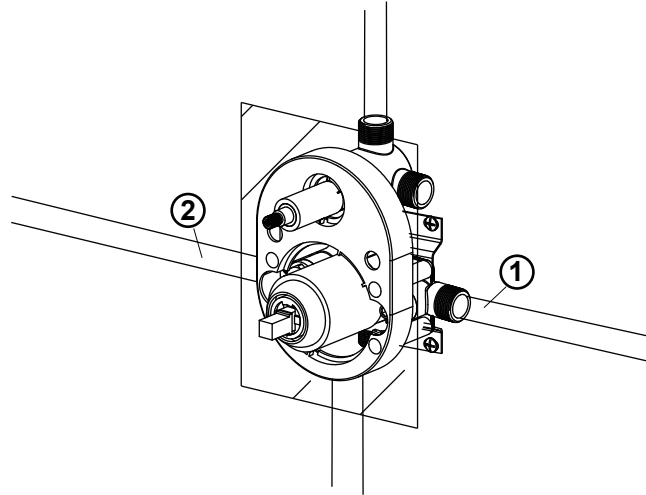
1. Rinse with water only and dry with soft cotton cloth;
2. Use mild liquid and colorless glass cleaner to remove surface dirt and scale film, or use polish without abrasive effect;
3. Do not use abrasive detergent, polish, emery cloth, paper towel or scraper, etc.;
4. Do not use acid cleaner, or cleaner and soap with insoluble gran etc.;
5. In the process of use, mud may accumulate in the bubbler and make the water flow show, The bubbler can be unscrewed, rinsed with water, and then installed back in place.



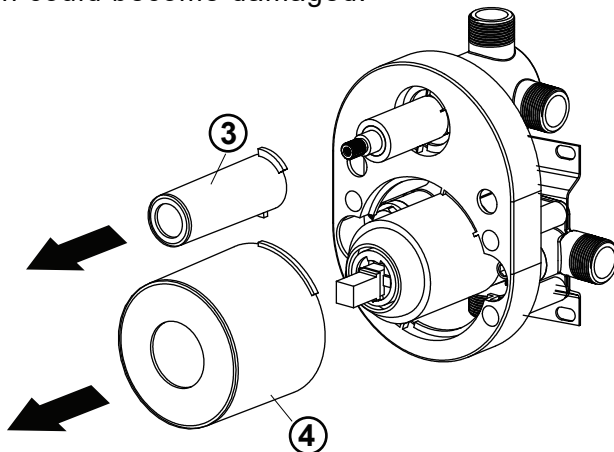
PIPE CONNECTION

1. Connect valve body to water supplies using the proper fitting(copper tubing, iron pipe or Pex). If either of the two outlet ports is to be unused, seal the port with a pipe plug.

Note: (1) is the cold inlet port and (2) is the hot inlet port.

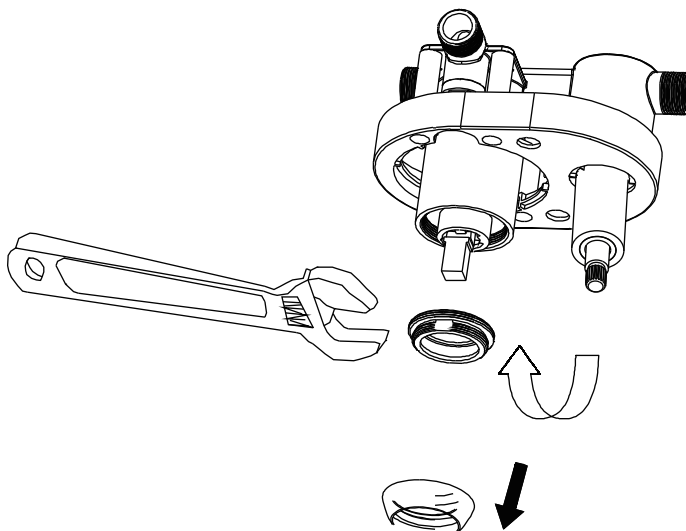


2. For copper pipe soldering joint, you need to remove the plastic covers(3) and (4) and valve cartridge from the valve body first. Avoiding soldering at high temperatures. Component of the rough could become damaged.



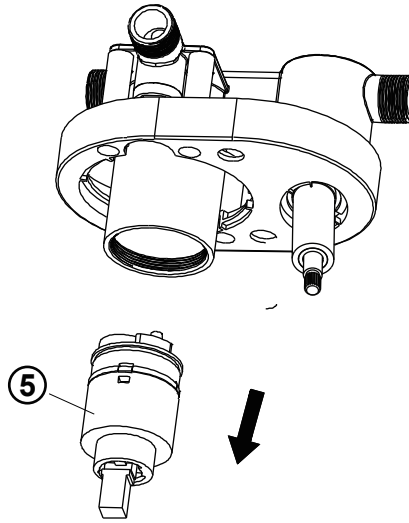
Warning: soldering joint have high tempeture,do not touch hot surfaces.

3. Remove bonnet nut and thread nut from the valve body

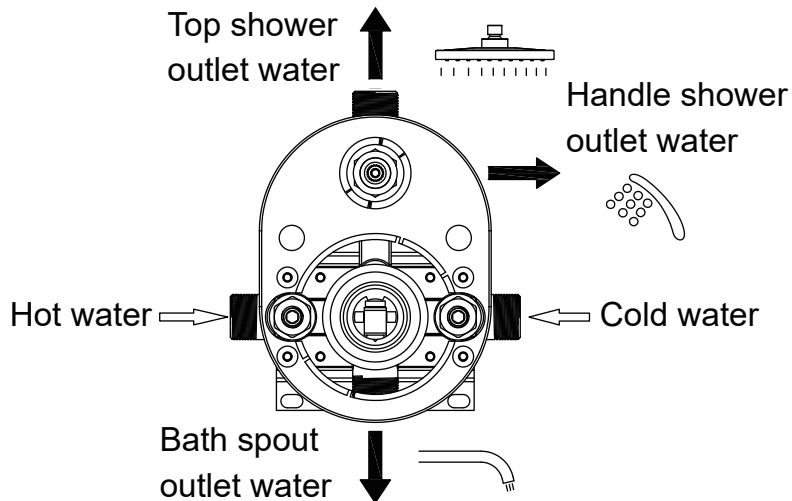


PIPE CONNECTION

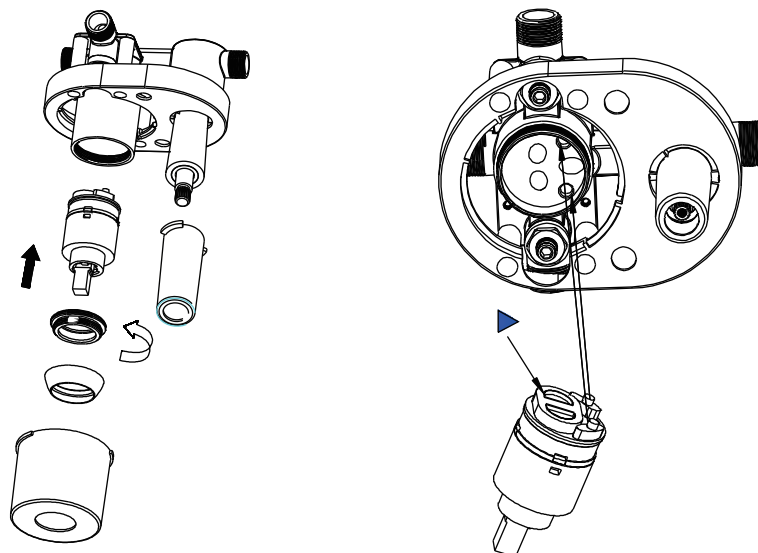
4. Remove the valve cartridge(5) from the valve body



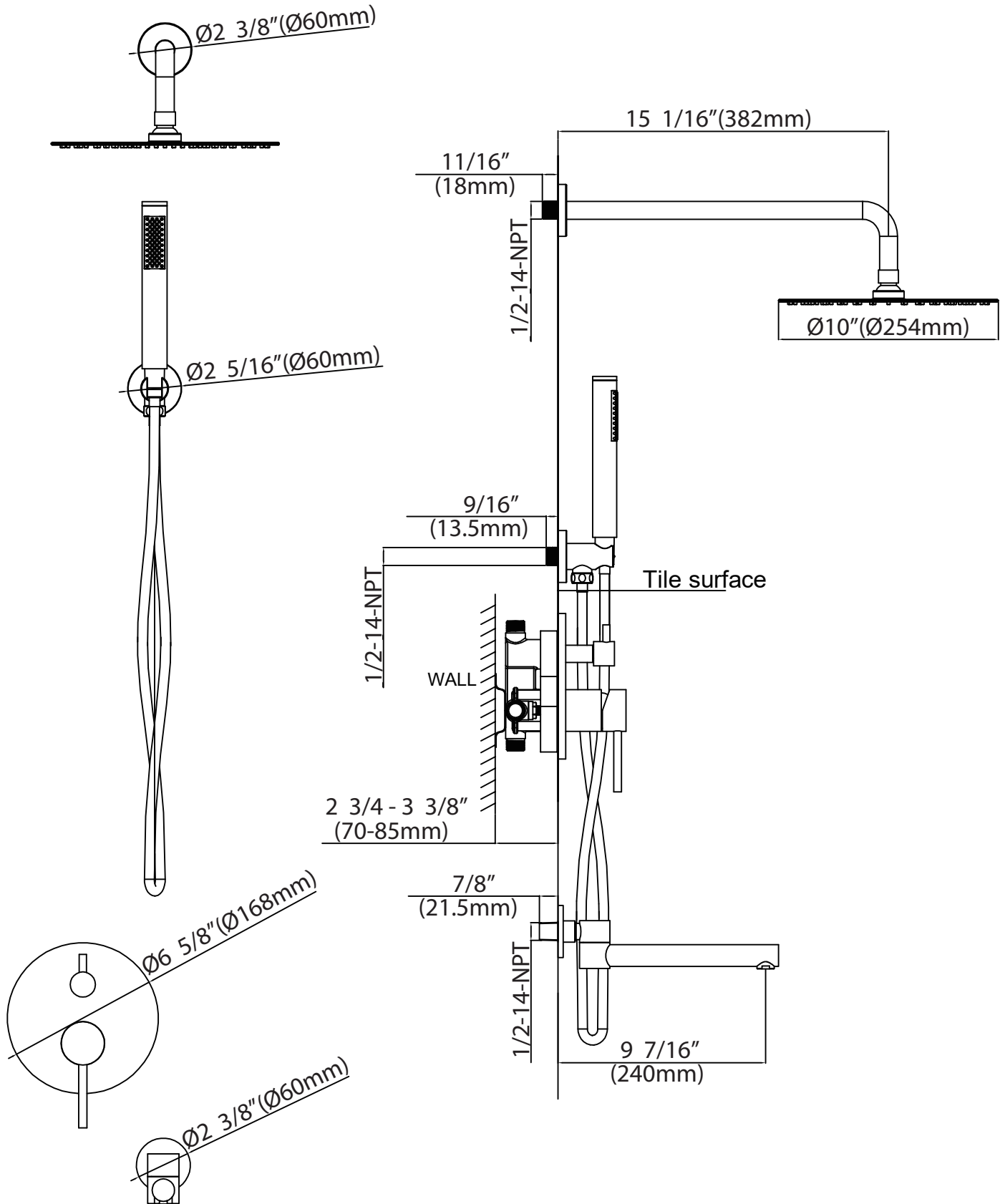
5. Connecting outlet to copper pipes then flush the system of debris for 30 seconds.



6. After flushing, install the cartridge and bonnet nut. Make sure the cartridge is fully engaged with the slot in the brass valve body.

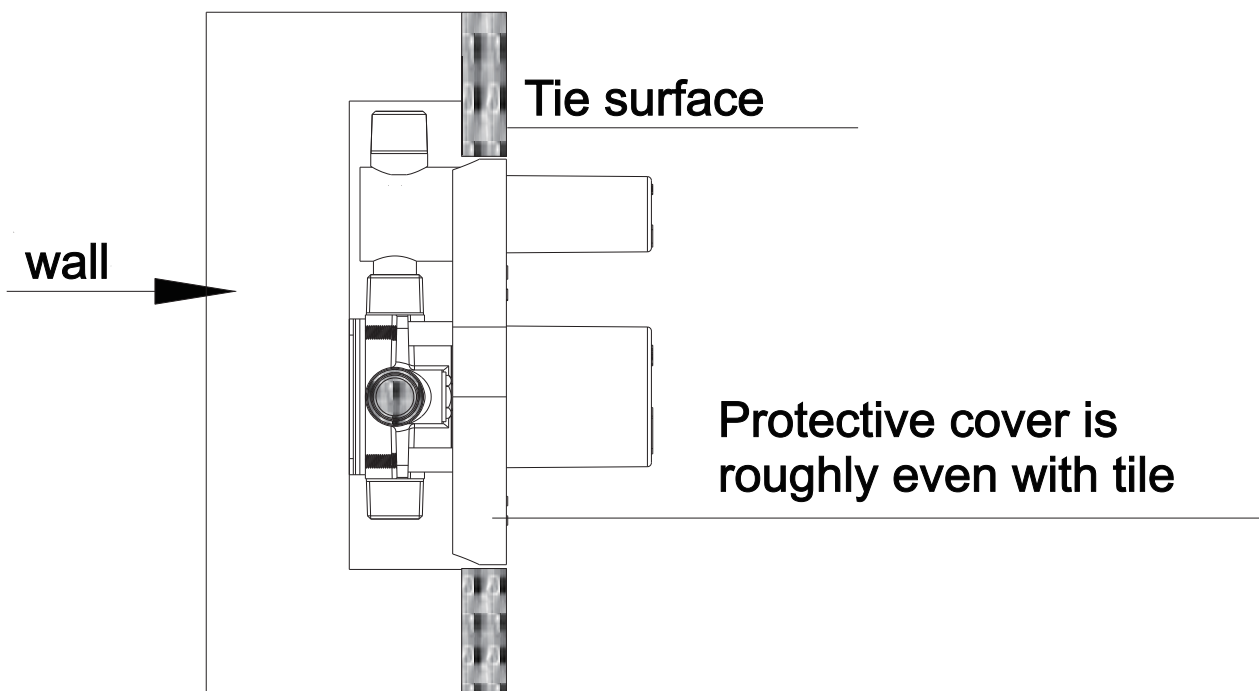


SIZE IMAGE



THE PROCEDURE OF SEALING THE WALL

Use a parallel ruler to measure the flatness of the embedded box casing and the vertical wall surface. If the wall surface is not flat, it should be patched to ensure the embedded box casing and vertical wall angle meets at nearly ideal angle of 90, then lay the tile decoration.



PRODUCT REPARATION

If the cartridge is worn out which cause leakage, please turn off the water source. Remove the handle, panel, and decorative cover in sequence, remove the gland with a wrench, then take out the cartridge and copper sleeve. Repair or replace the new cartridge, then install it again in sequence.

CLEARANCE AND MAINTENANCE

In order to keep the faucet appearance smooth and good performance, please follow the below steps to clean and maintain the faucet.

1. Clean with water and dry with a soft cotton cloth.
2. Use a mild liquid and a colorless glass cleaner to remove surface dirt and scale, also you can use the cleaner without grinding function.
3. Do not use detergents, polishing tools, abrasive cloth, paper towels or scrapers to clean the faucet.
4. Do not use acid cleaners, insoluble granular detergents, soaps etc to clean the faucet.