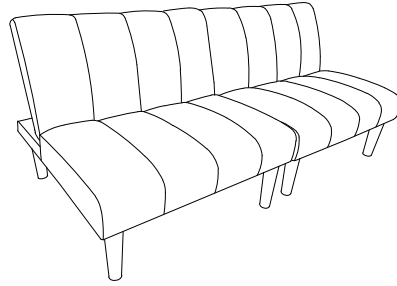


① ASSEMBLY INSTRUCTION

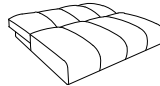
MODEL NO.HC5686



A 8PCS



B 2PCS



C 2PCS



D 4PCS



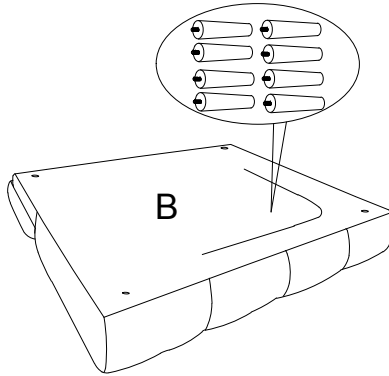
E 4PCS



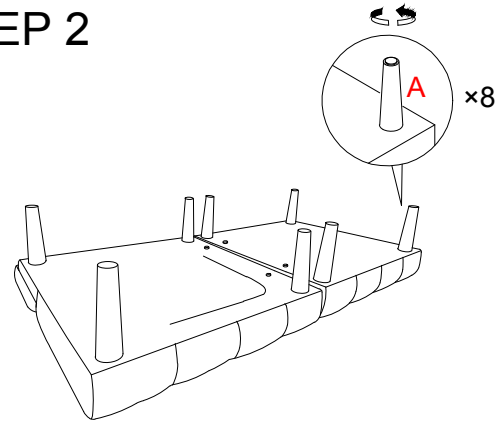
F 1PCS



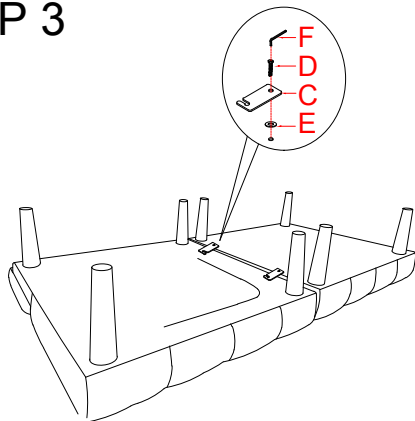
STEP 1



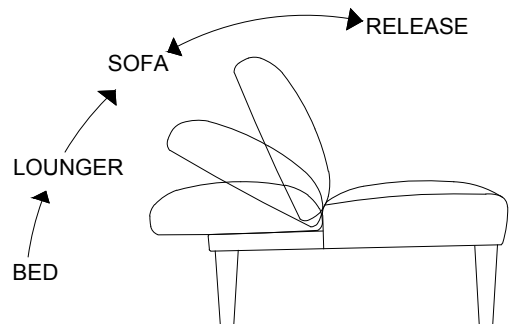
STEP 2



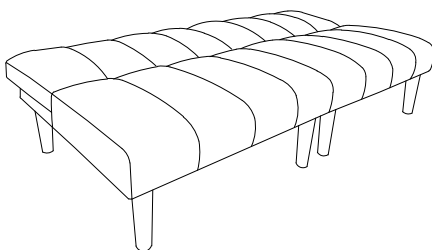
STEP 3



STEP 4



STEP 5



STEP 6

