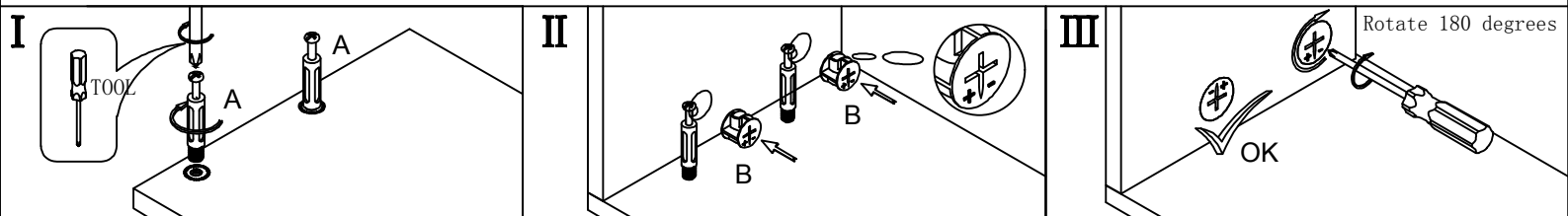
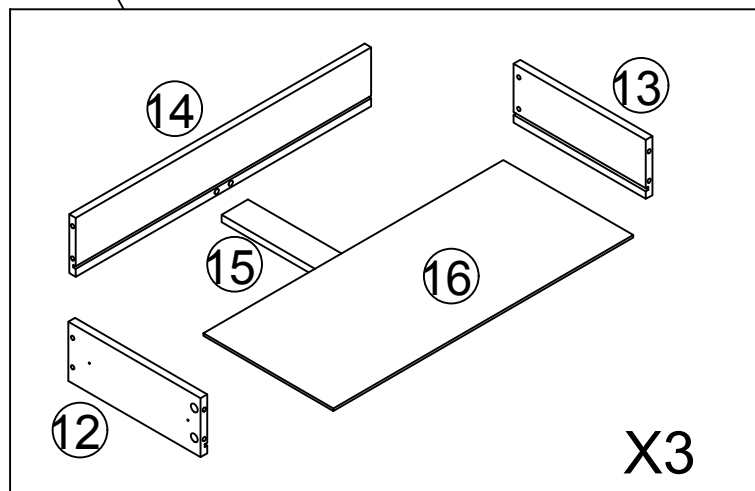
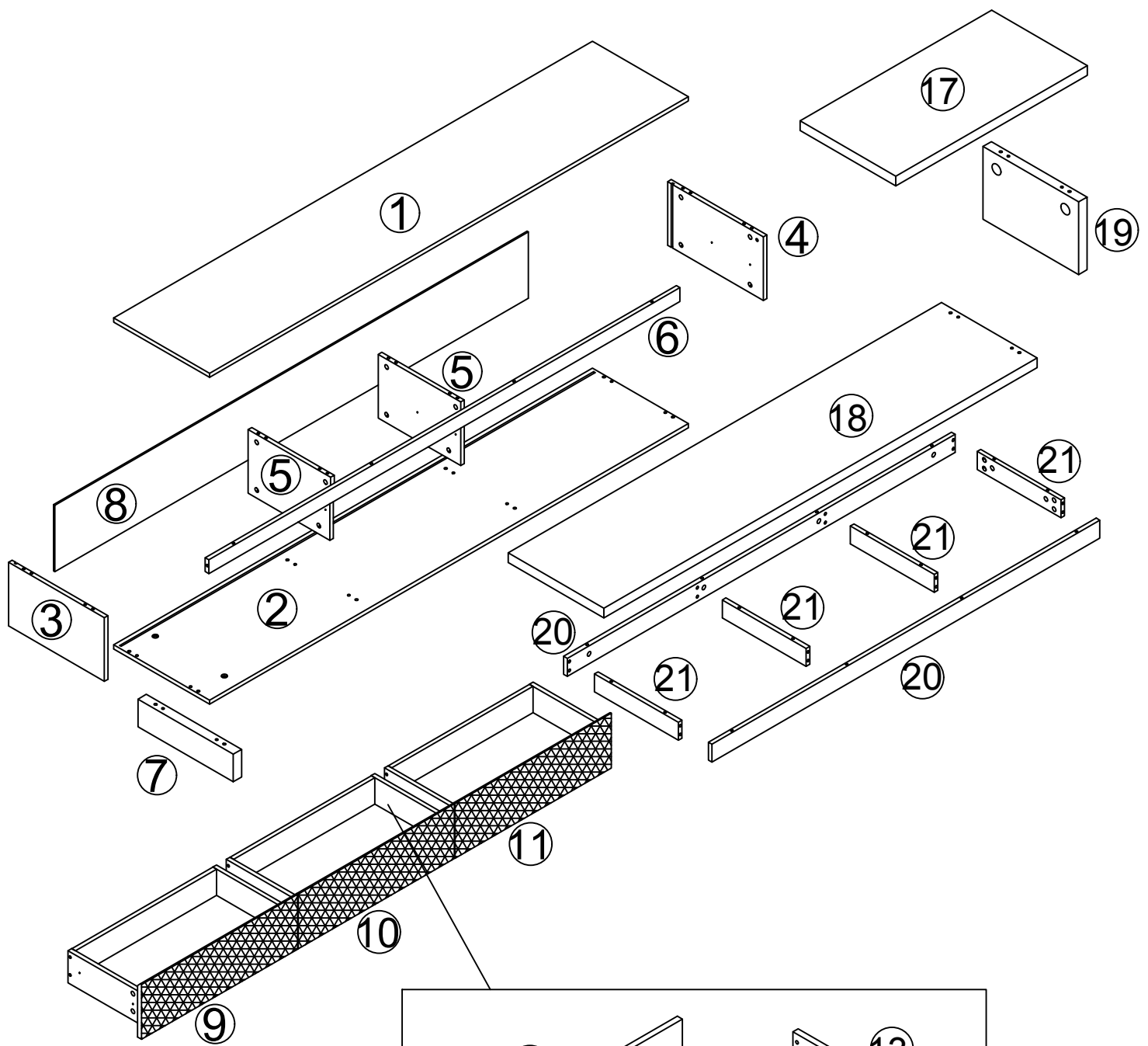
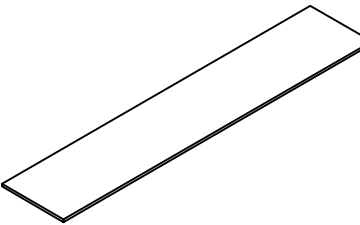
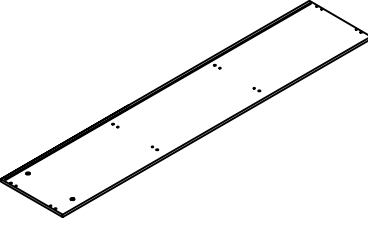
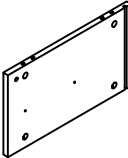
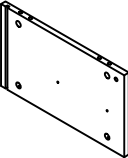
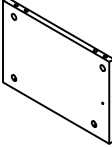
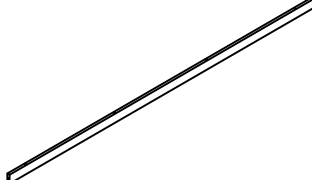
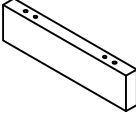
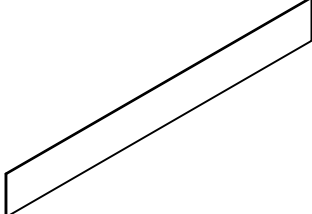
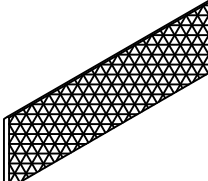
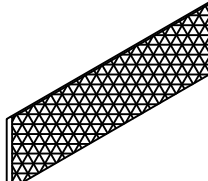
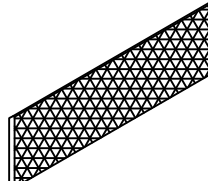
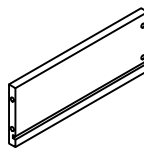
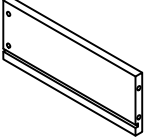
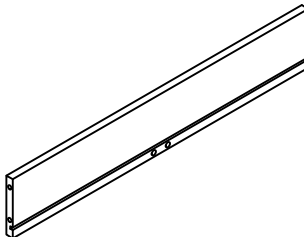
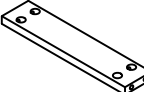
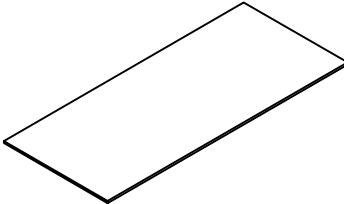
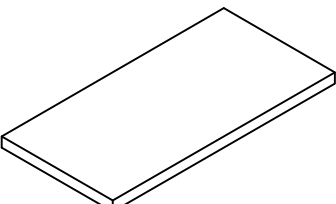
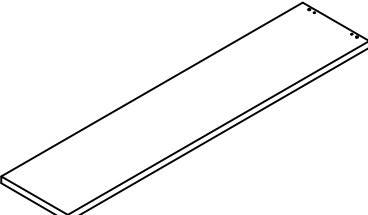
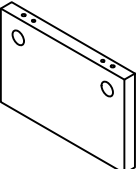
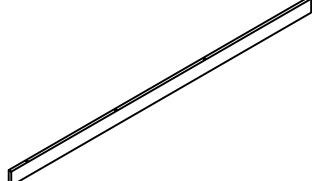
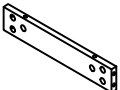


Disassembly and installation of accessories



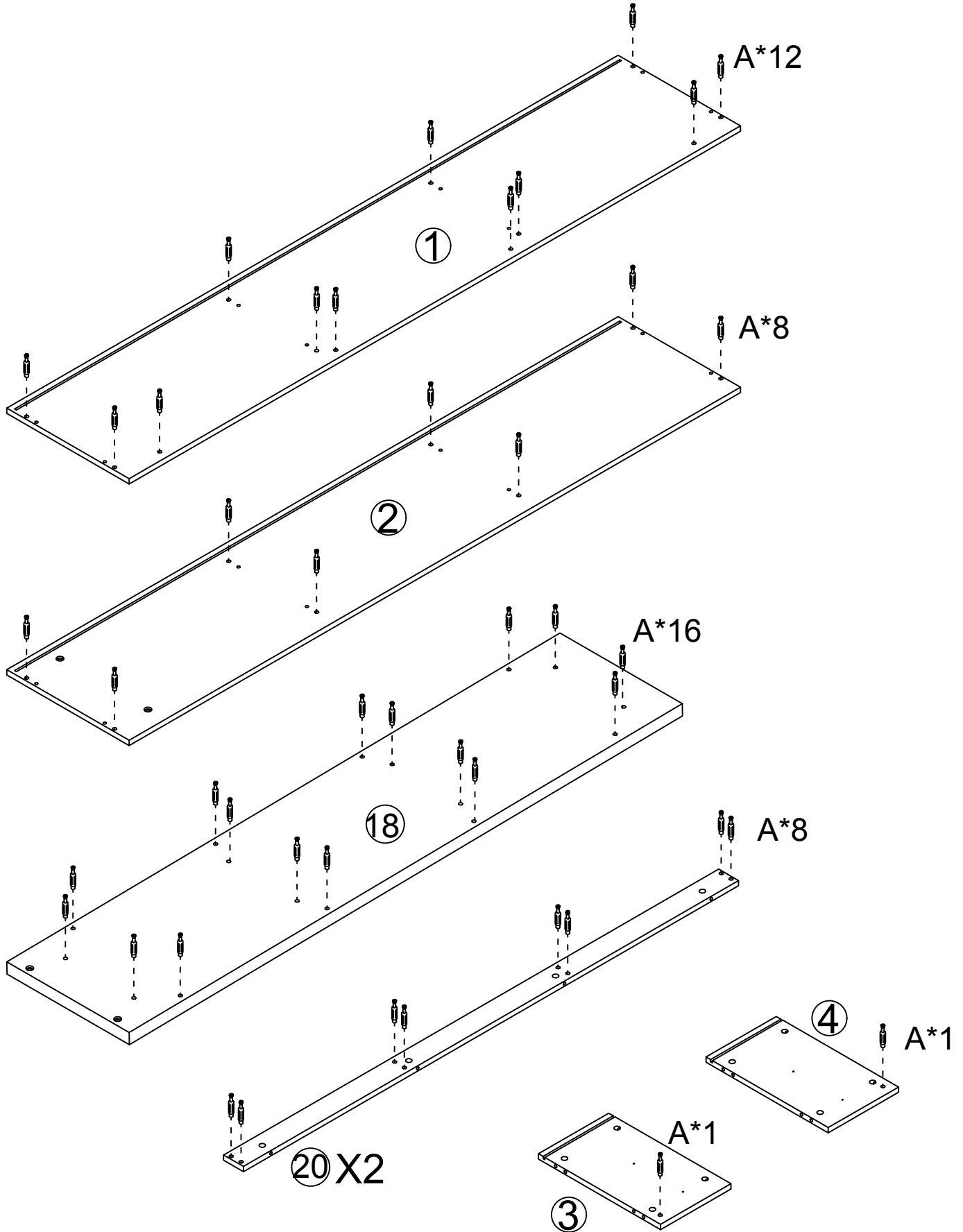
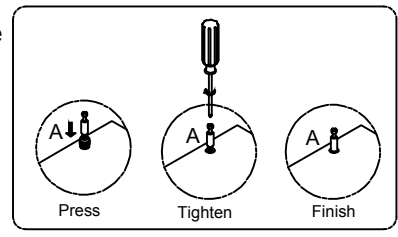
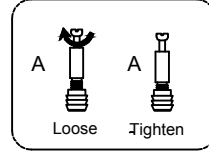
A 78+2 Ø6*35mm	B 78+2 Ø15*11.5mm	C 22 Ø8*40mm	D 36+2 M3.5*12mm	E 10 M3.5*14mm	F 12+1 M4*45mm	G 12+1 Ø10*10mm
H 10 	I 2 M8*50mm	J 2 M8*35mm	K 2 M8*80mm	L 2 M8	M 2 M8	N 1
O 2 Ø38	P 2 Ø40*3	Q 10 	R 6 R ₁ R ₂ 12"			



<p>1</p>  <p>1PCS</p>	<p>2</p>  <p>1PCS</p>	<p>3</p>  <p>1PCS</p>	<p>4</p>  <p>1PCS</p>
<p>5</p>  <p>2PCS</p>	<p>6</p>  <p>1PCS</p>	<p>7</p>  <p>1PCS</p>	<p>8</p>  <p>1PCS</p>
<p>9</p>  <p>1PCS</p>	<p>10</p>  <p>1PCS</p>	<p>11</p>  <p>1PCS</p>	<p>12</p>  <p>3PCS</p>
<p>13</p>  <p>3PCS</p>	<p>14</p>  <p>3PCS</p>	<p>15</p>  <p>3PCS</p>	<p>16</p>  <p>3PCS</p>
<p>17</p>  <p>1PCS</p>	<p>18</p>  <p>1PCS</p>	<p>19</p>  <p>1PCS</p>	<p>20</p>  <p>2PCS</p>
<p>21</p>  <p>4PCS</p>			

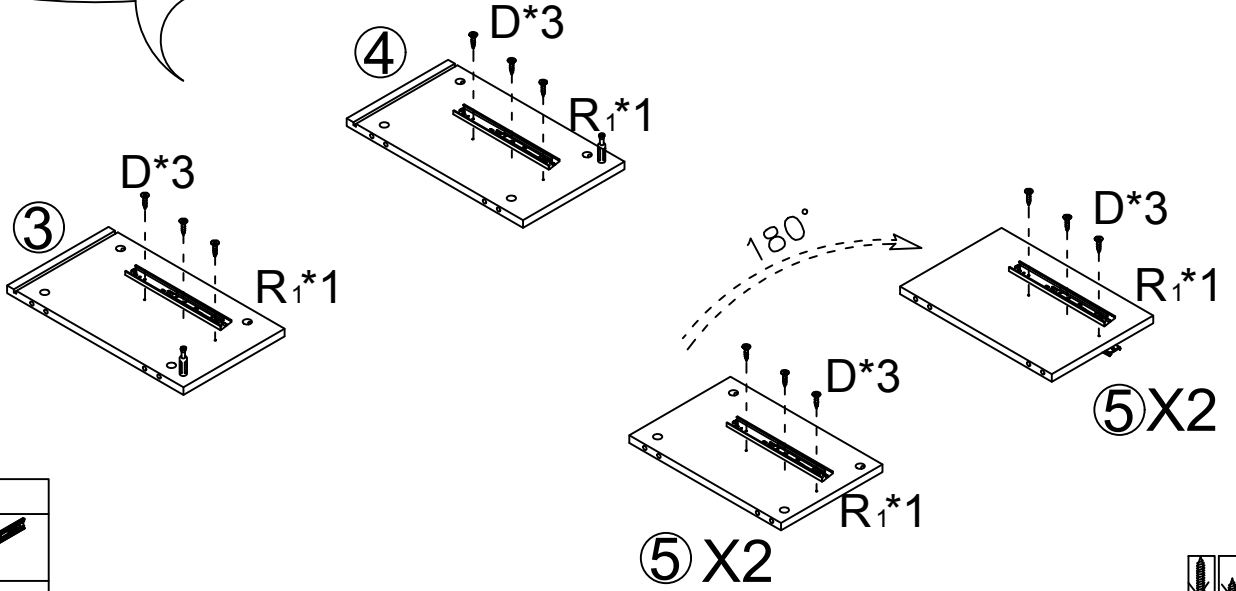
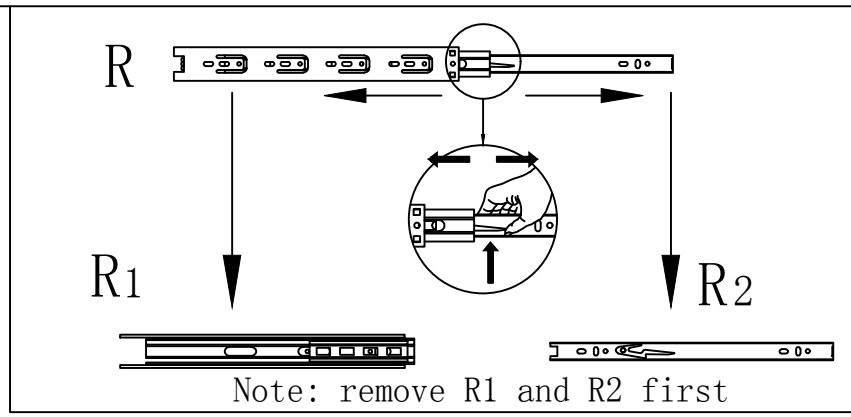
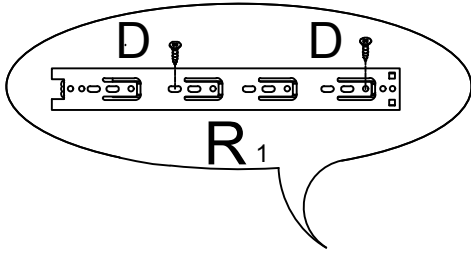
STEP 1



Make sure the screws are loose before pressing



A	54PCS
	
Ø6*35mm	

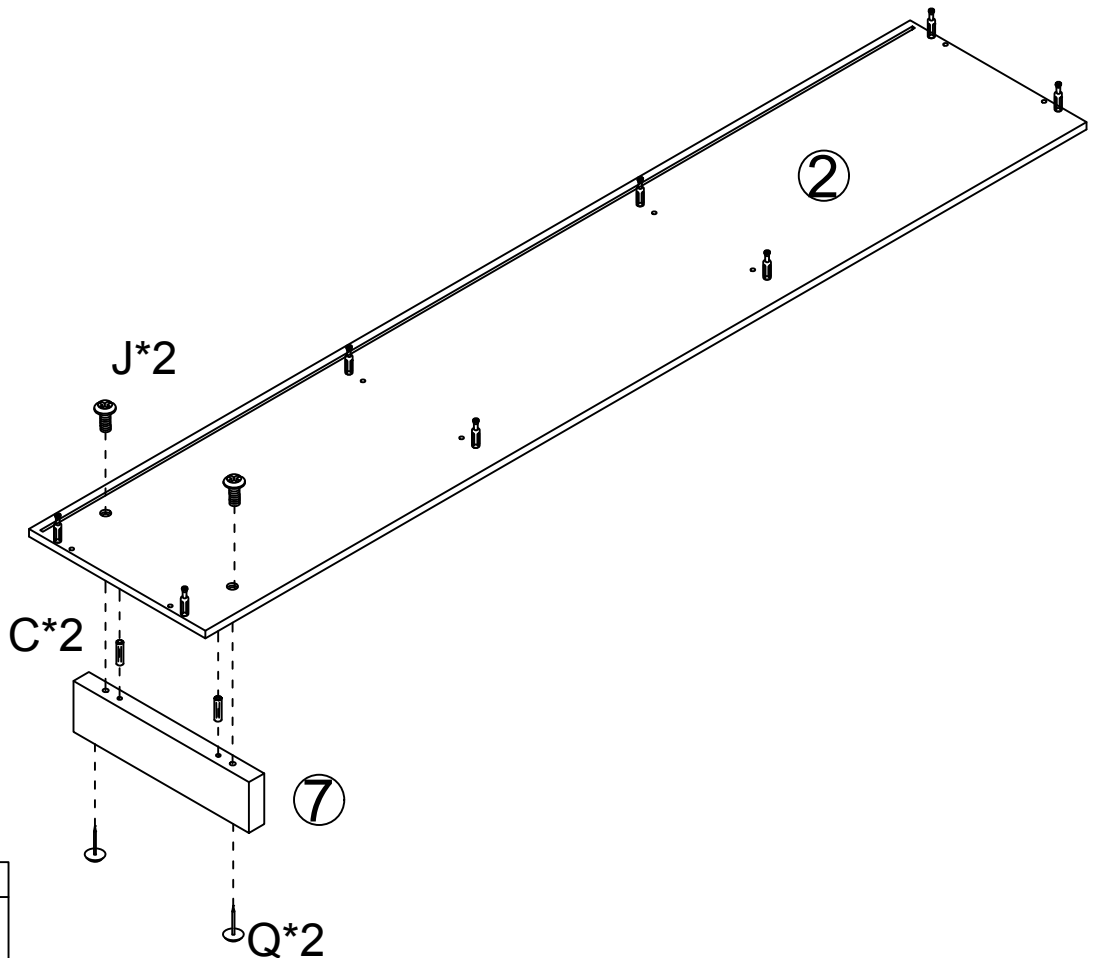
STEP 2






D 18	R 6
	
M3.5*12mm	

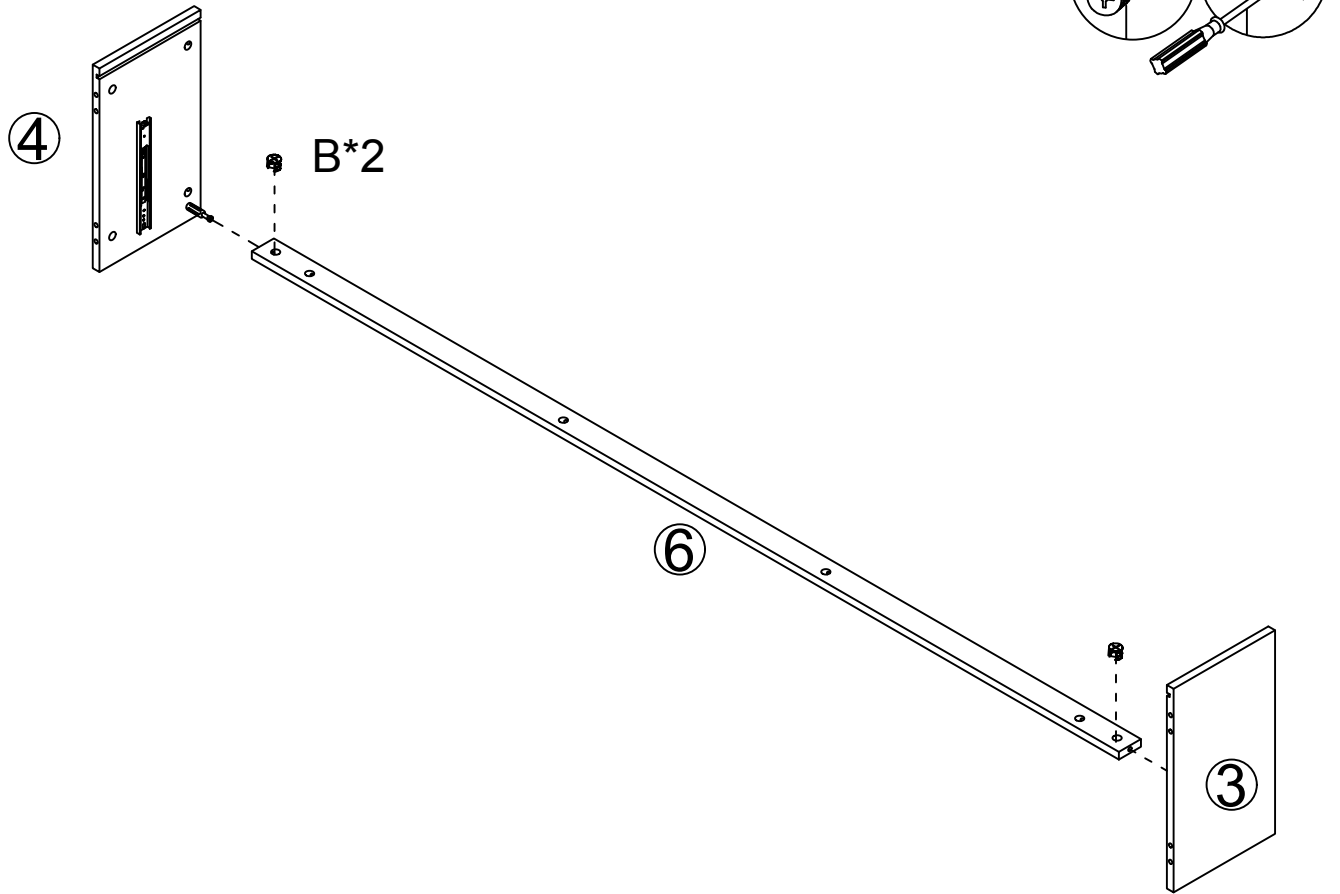



STEP 3



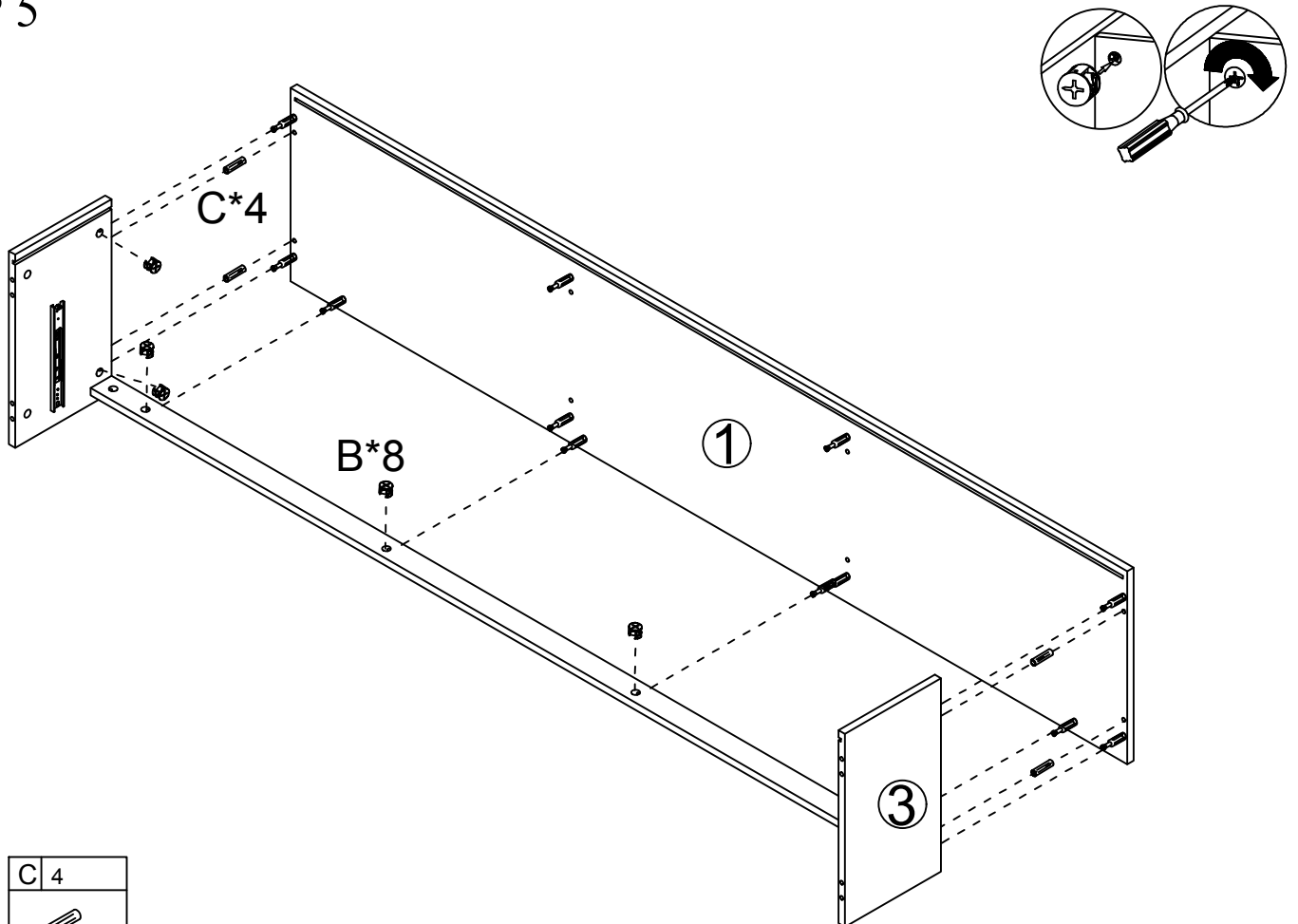
C 2	J 2	Q 2
		
Ø8*40mm	M8*35mm	



STEP 4



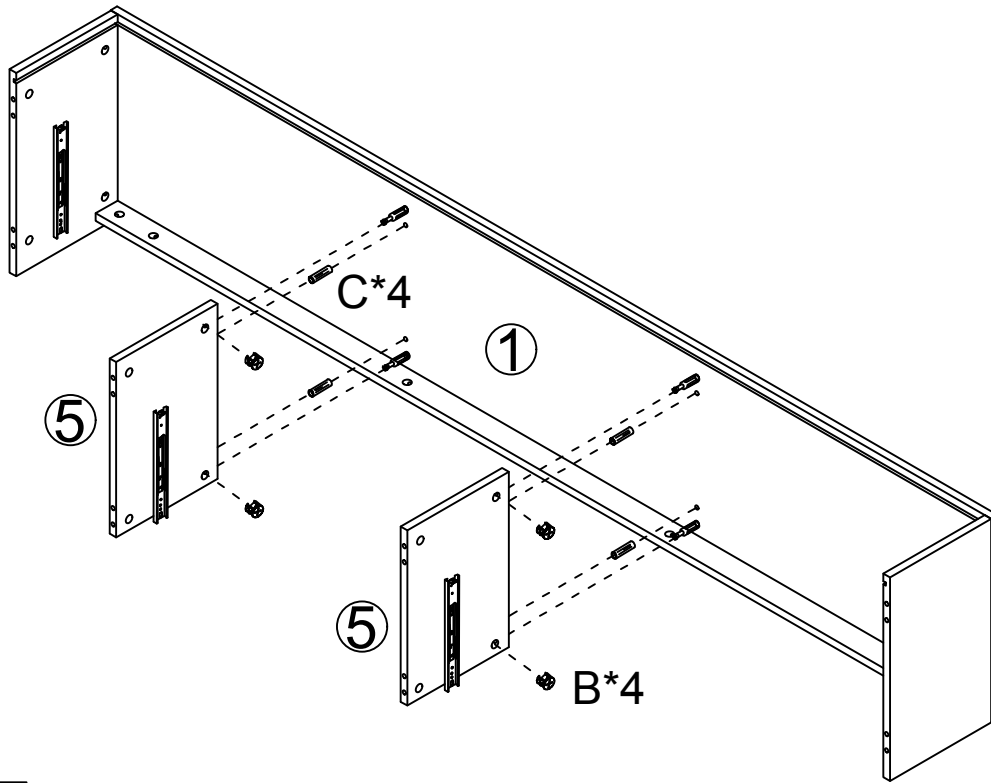
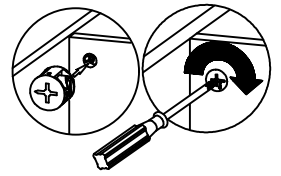
B 2

Ø15*11.5mm



STEP 5



B 8	C 4
	
Ø15*11.5mm	Ø8*40mm

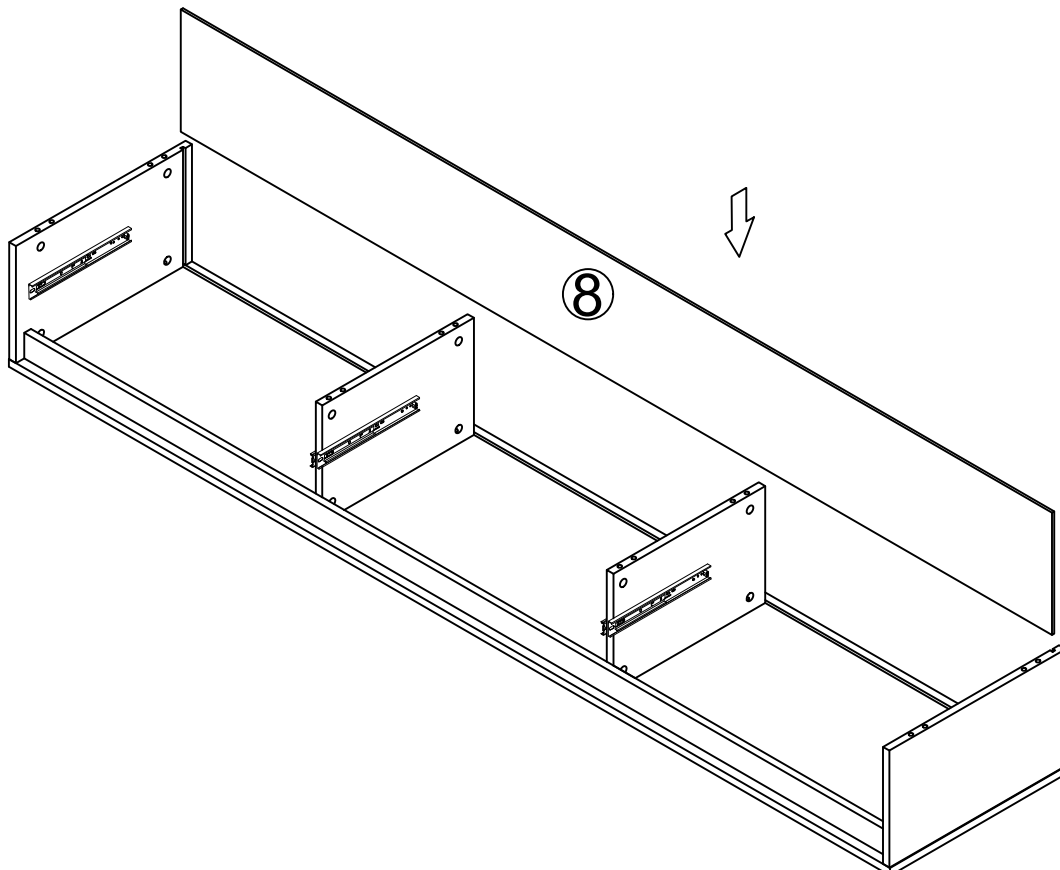
STEP 6



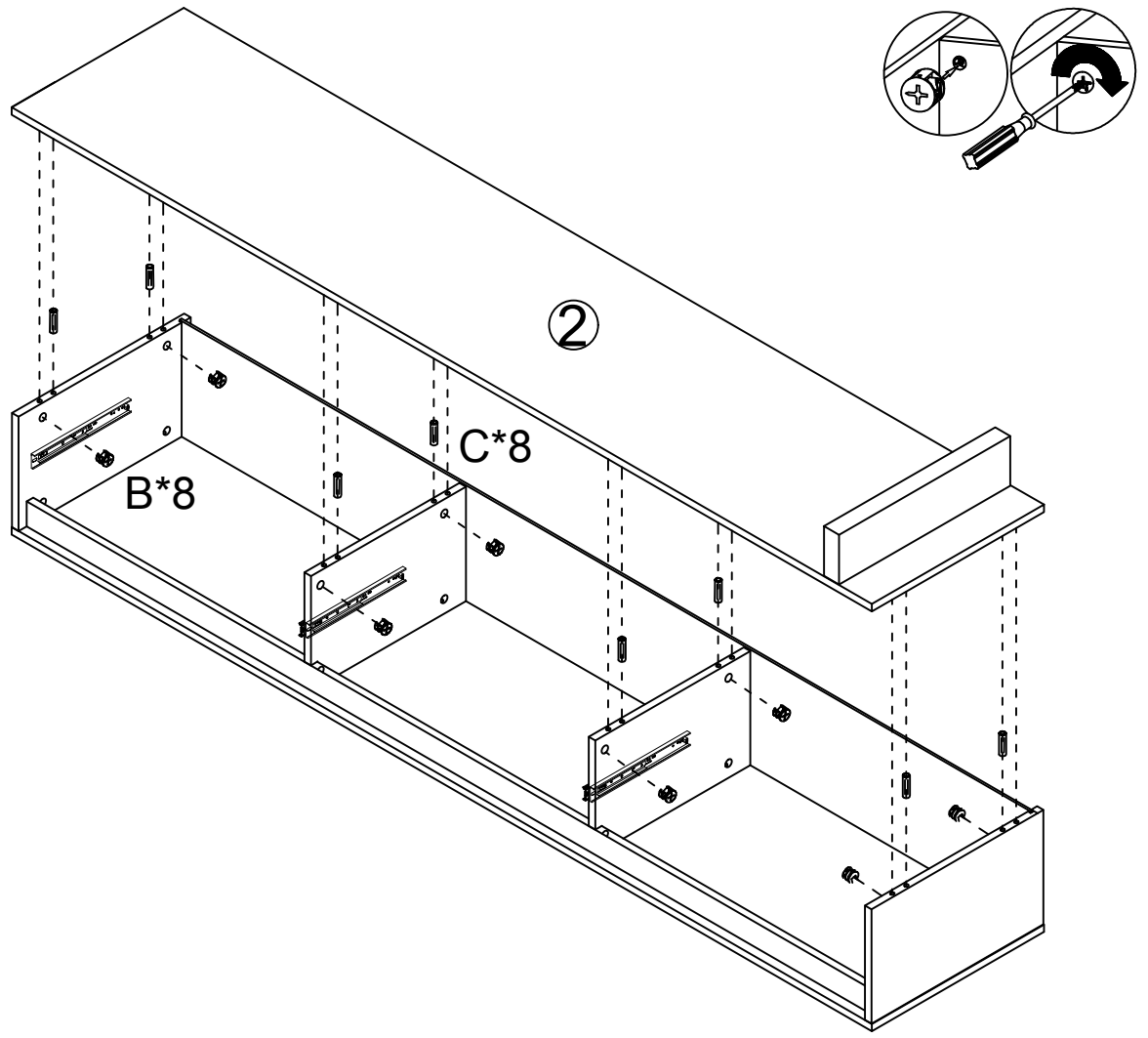
B 4	C 4
	
Ø15*11.5mm	Ø8*40mm





STEP 7

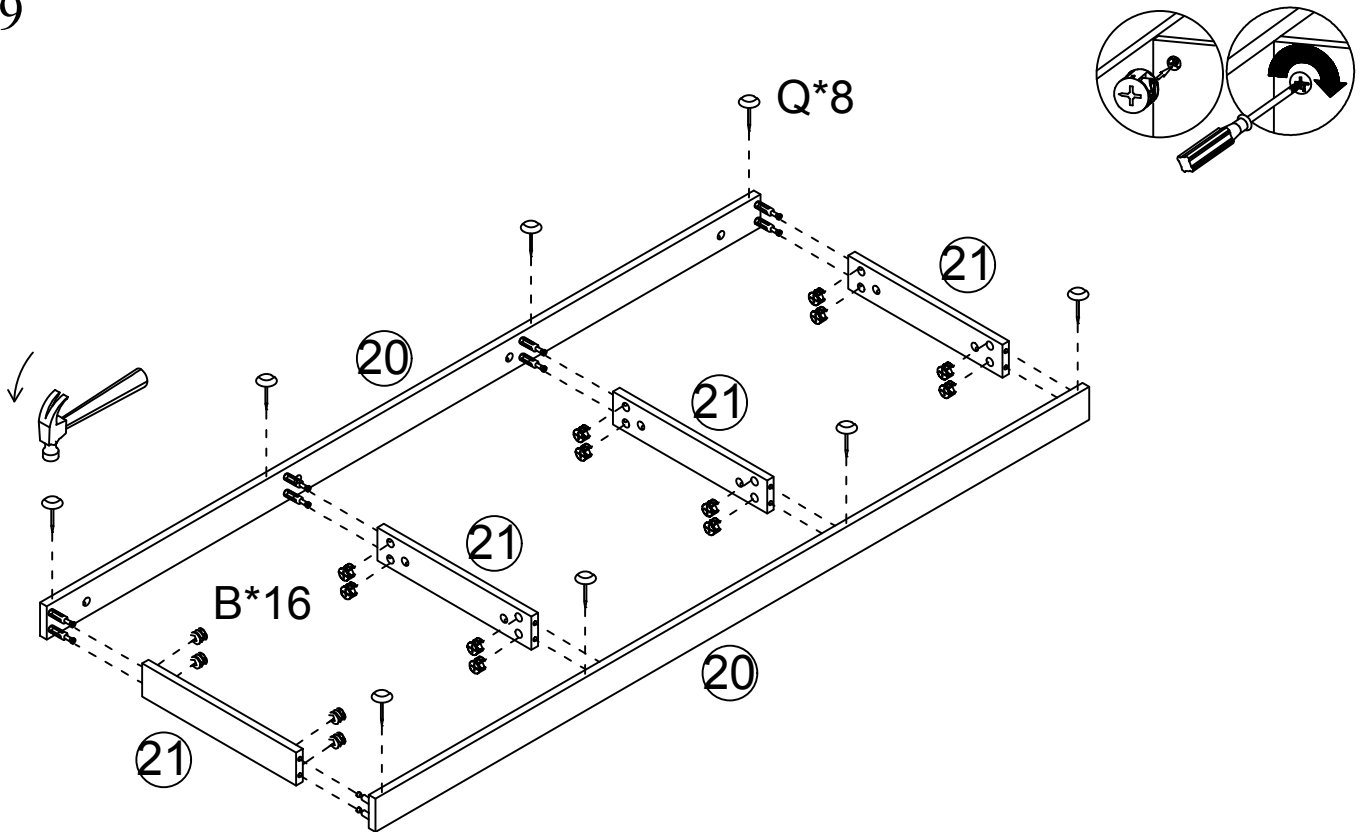




STEP 8



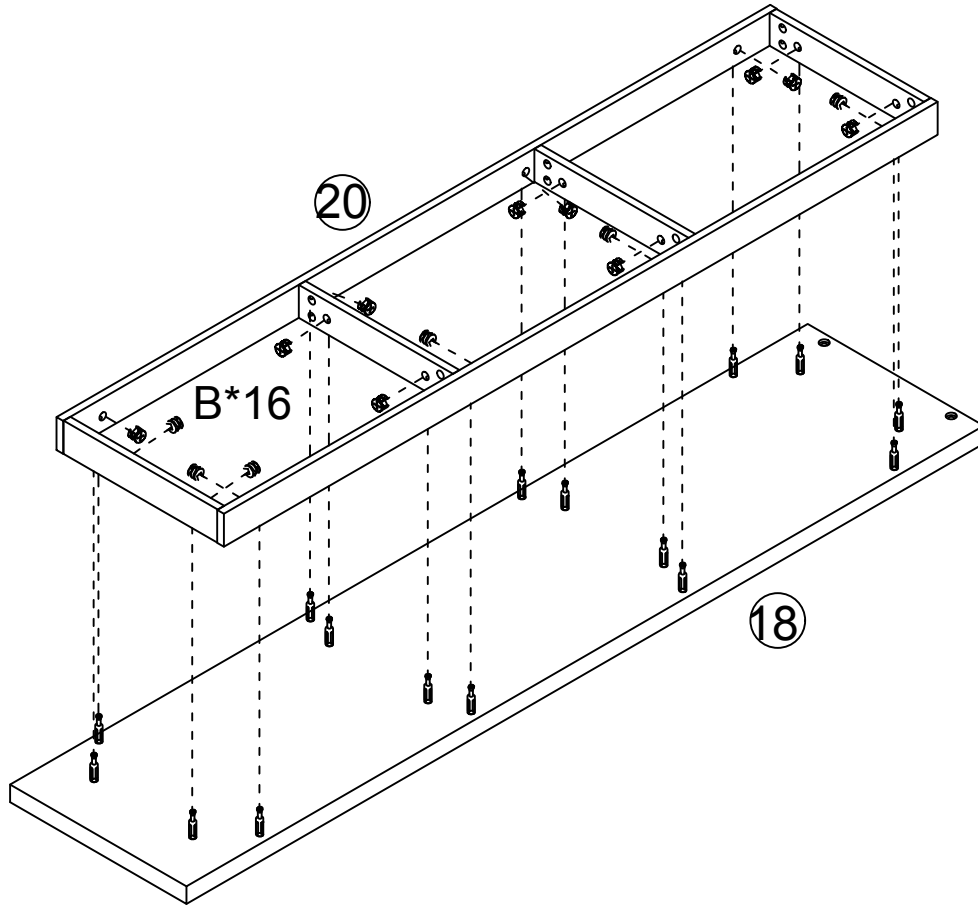
B 8	C 8
	
Ø15*11.5mm	Ø8*40mm


STEP 9



B 16	Q 8
	
Ø15*11.5mm	

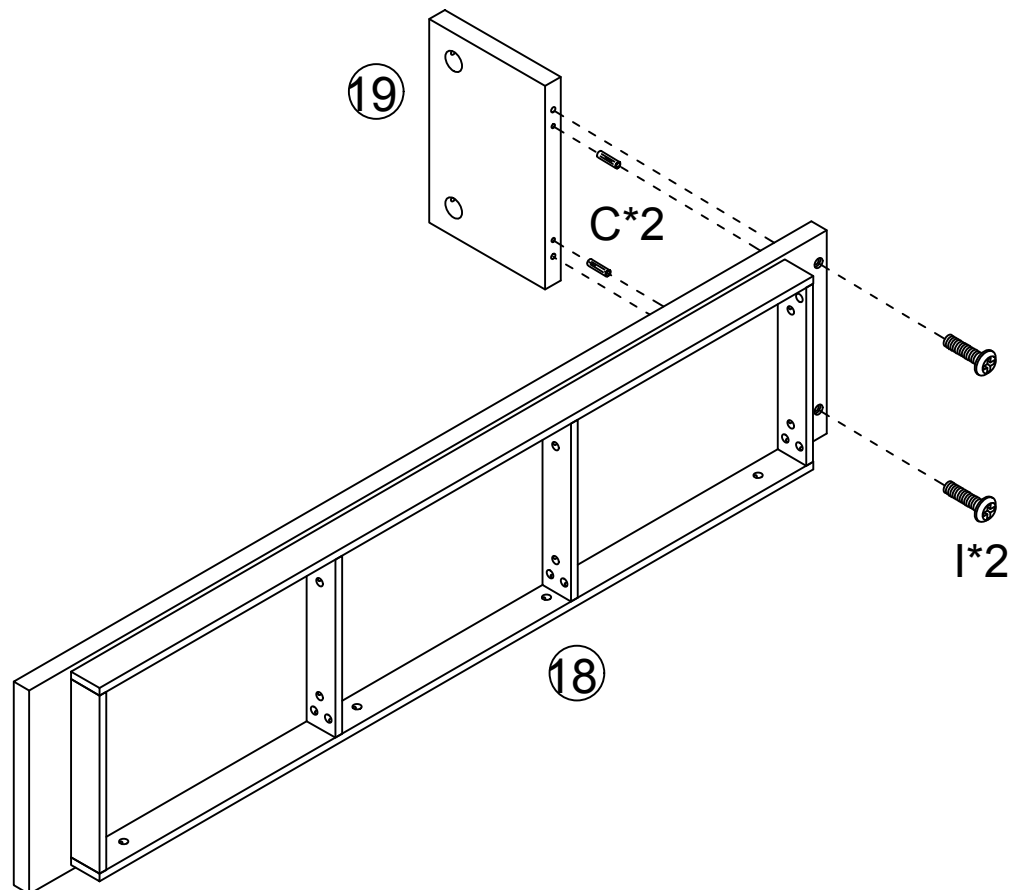
STEP 10





B	16
	
Ø15*11.5mm	

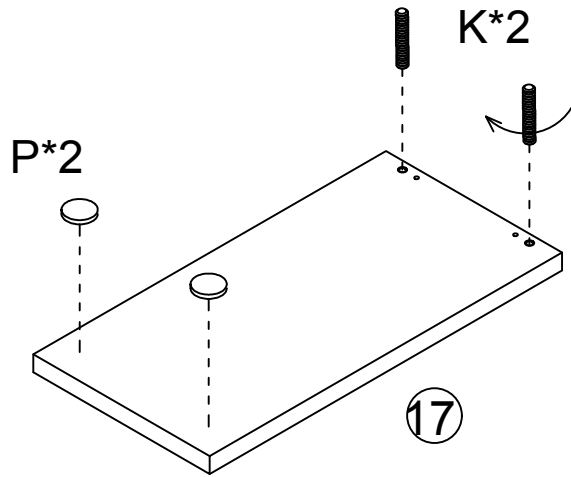




STEP 11



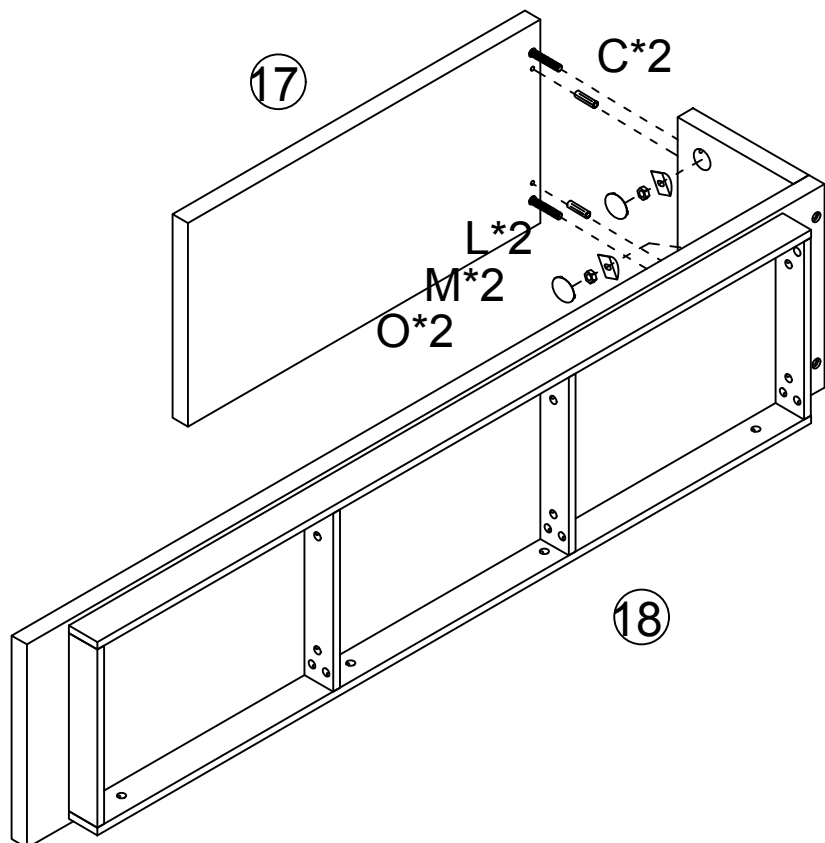
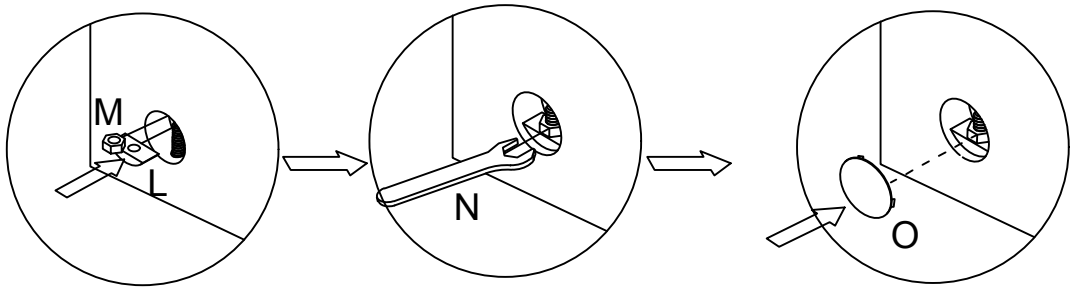
C	2	I	2
			
Ø8*40mm		M8*50mm	





STEP 12



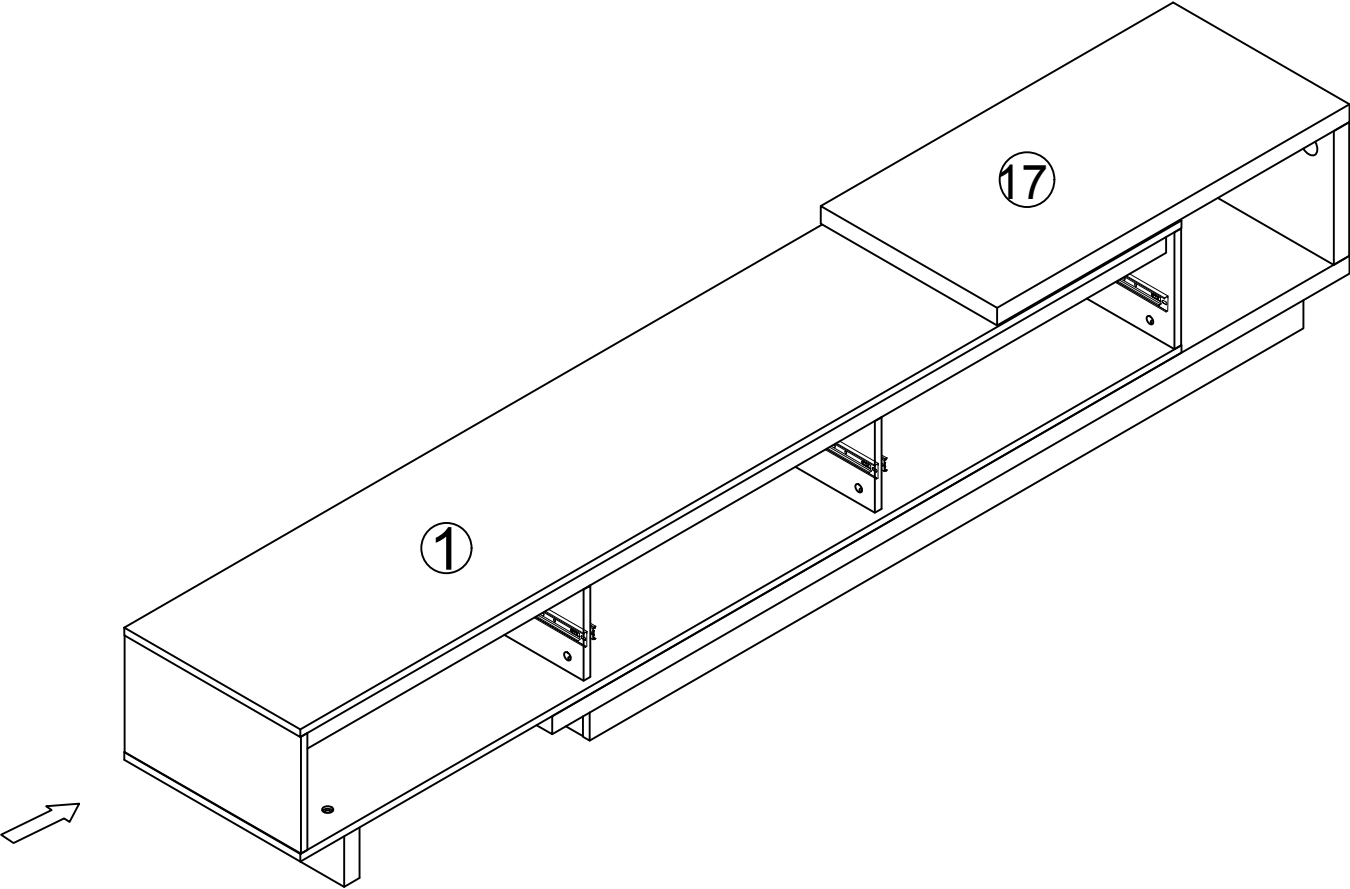
K	2	P	2
			
M8*80mm		Ø40*3	

STEP 13

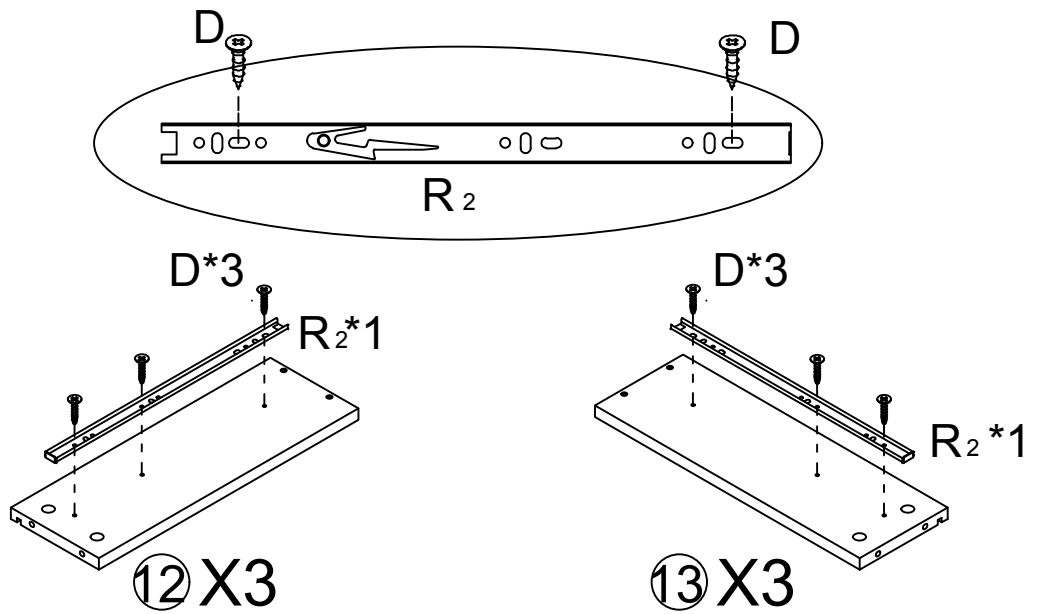




C	2	L	2	M	2	O	2
							
Ø8*40mm		M8		M8		Ø38	

STEP 14



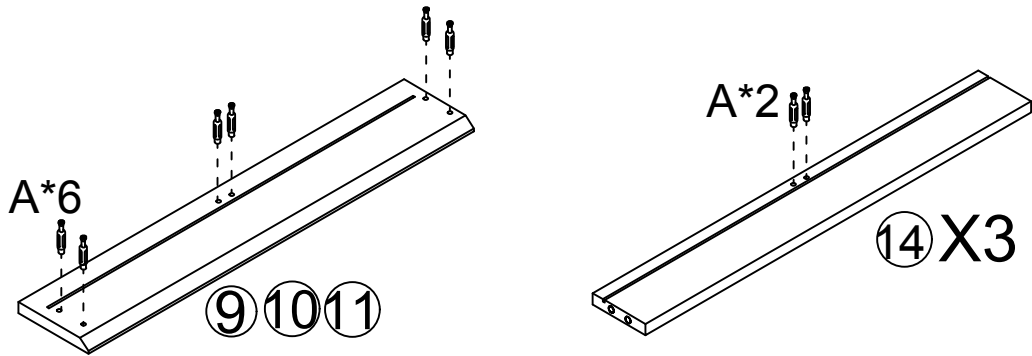
STEP 15



D 18	R 6
	
M3.5*12mm	



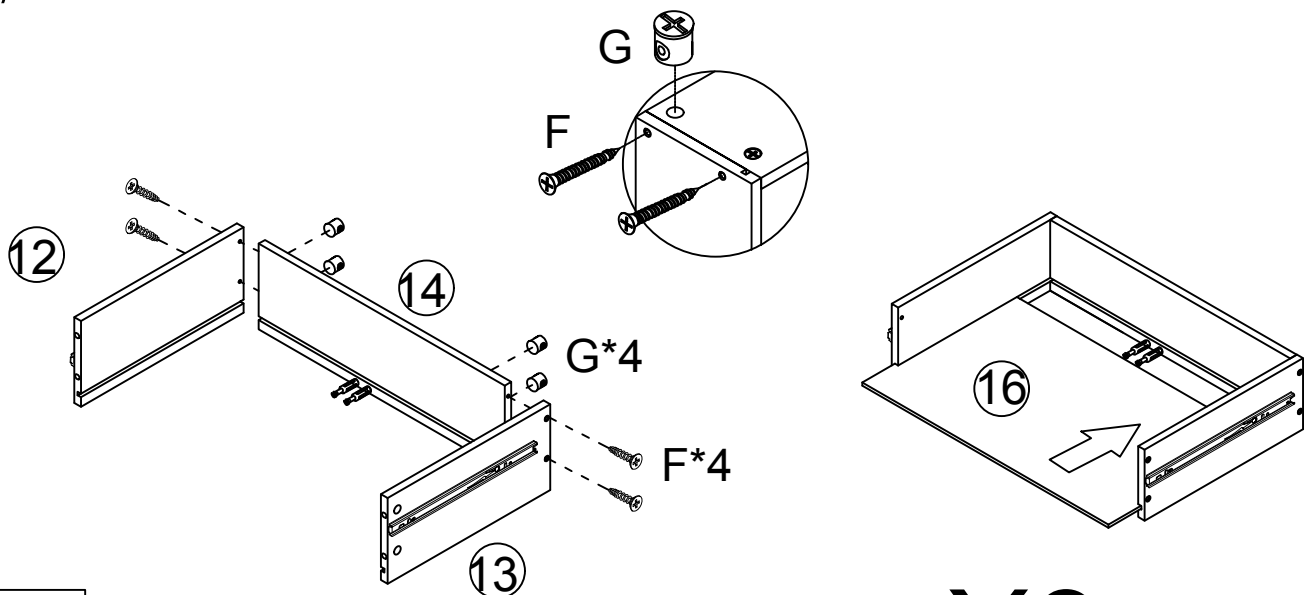
STEP 16





A 24PCS

Ø6*35mm

STEP 17

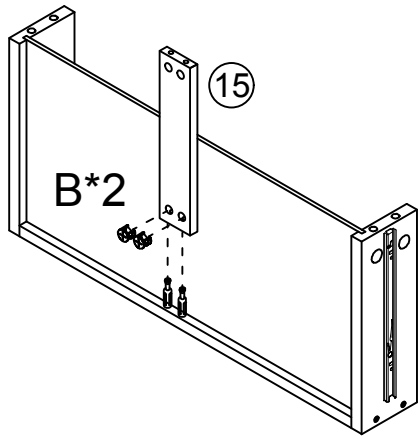



F 12	G 12
	
M4*45mm	Ø10*10mm

X3



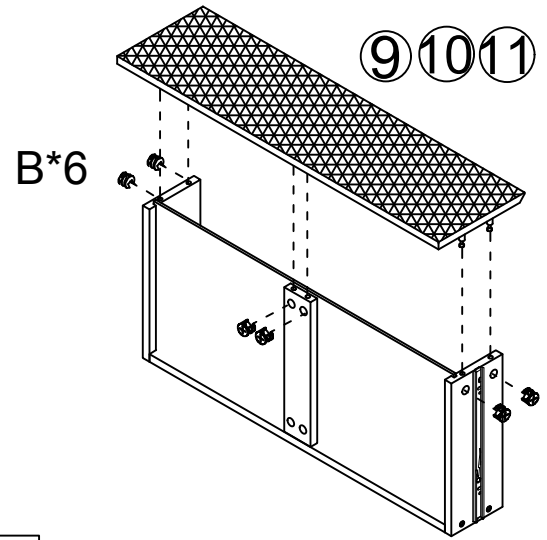
STEP 18




B	6
	
Ø15*11.5mm	

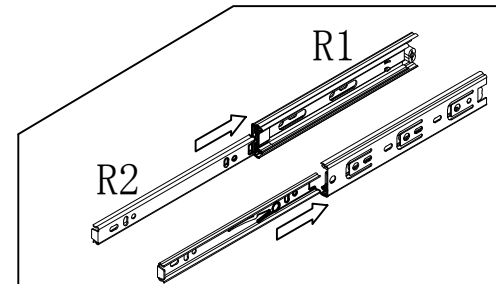
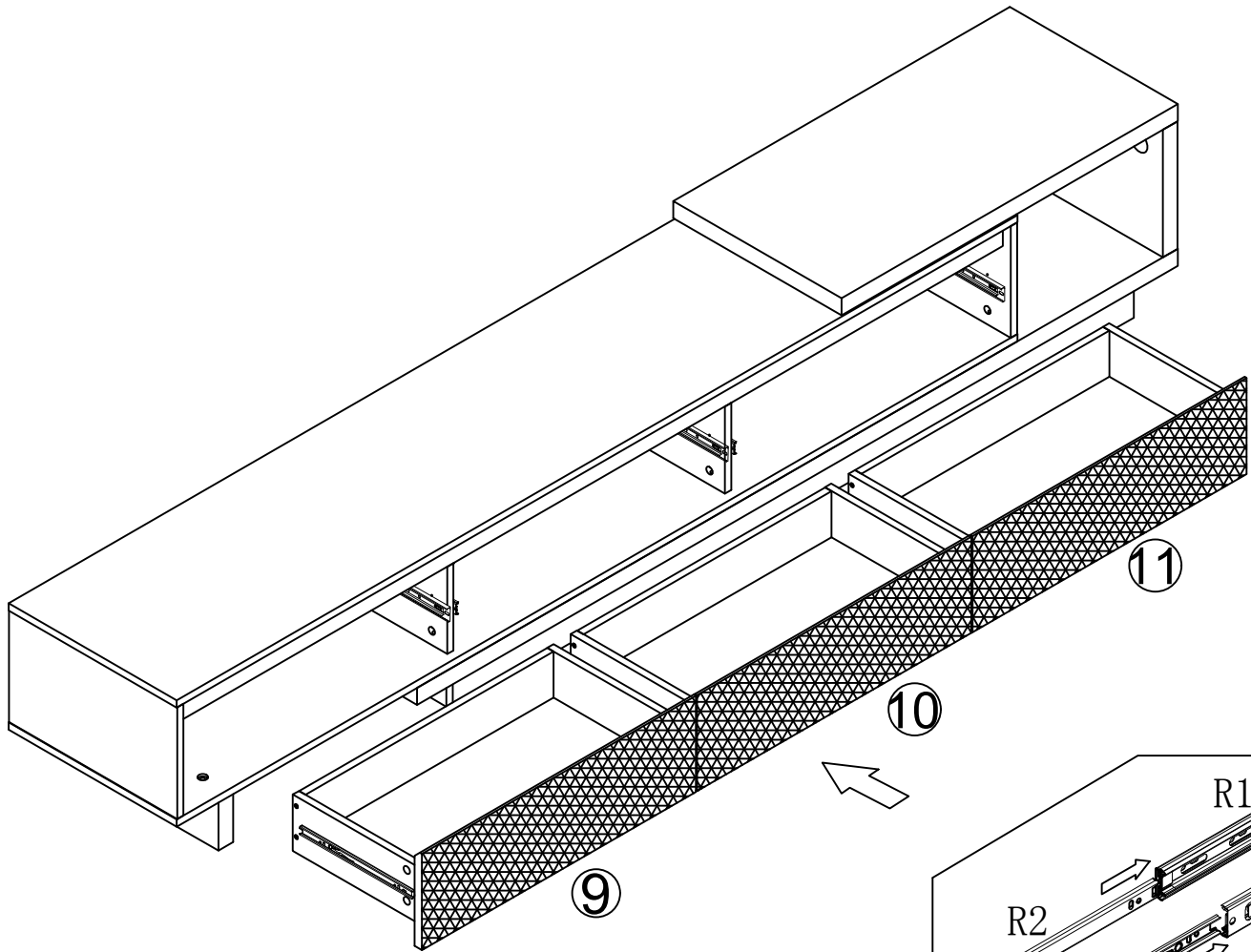
X3

STEP 19



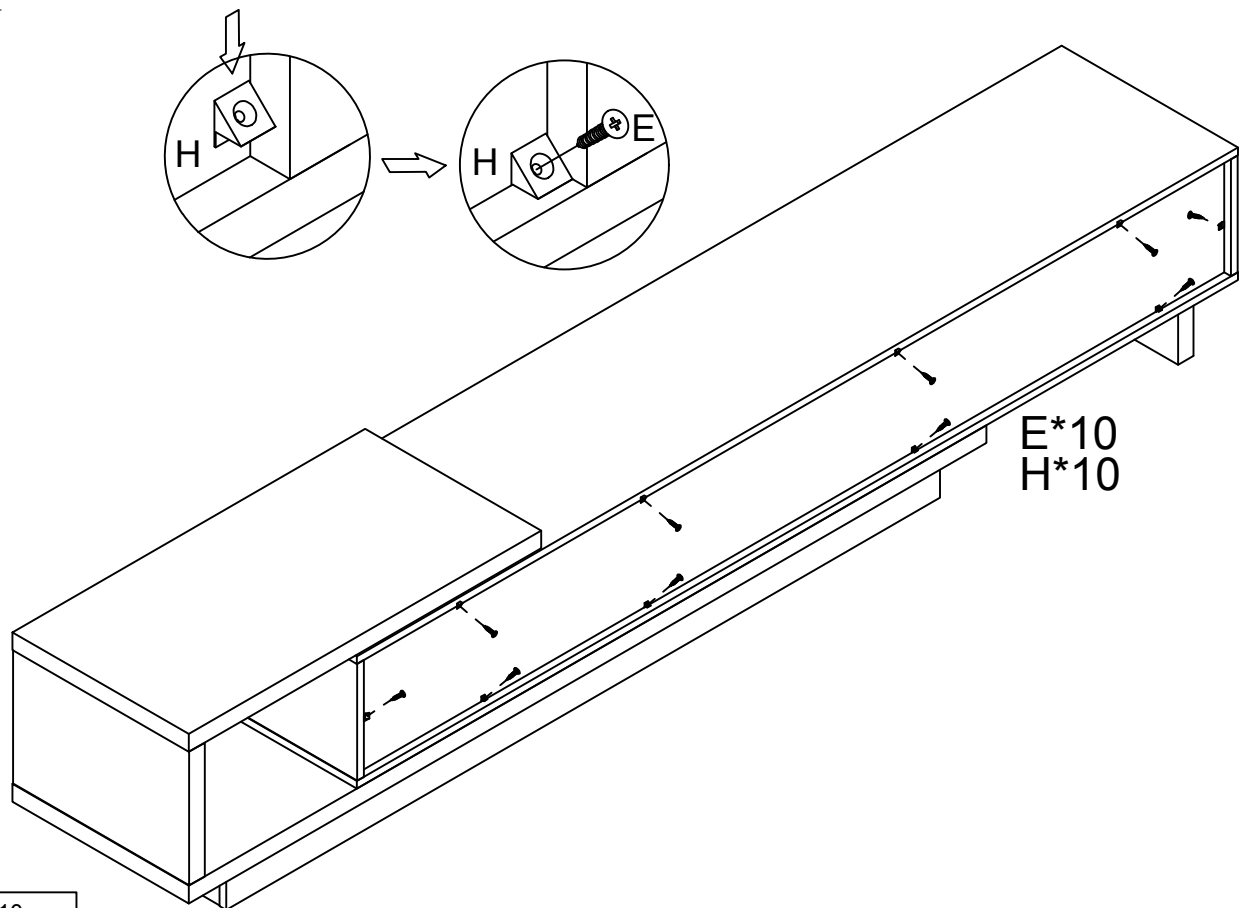
B	18
	
Ø15*11.5mm	



STEP 20



Note: align R2 with R1 and push it in

STEP 21



E 10	H 10
	
M3.5*14mm	



STEP 22

OK

