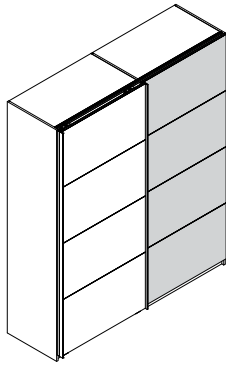
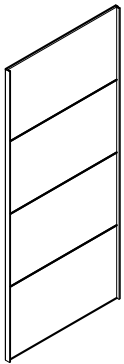
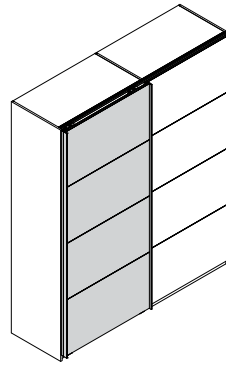


**2x**

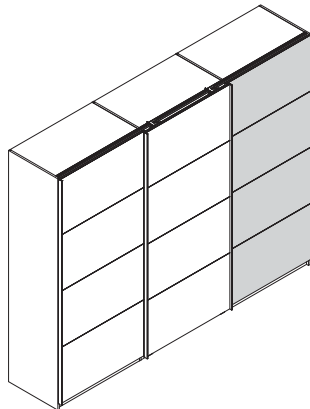
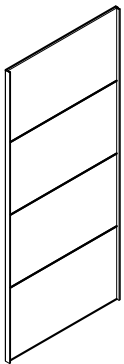


**A**

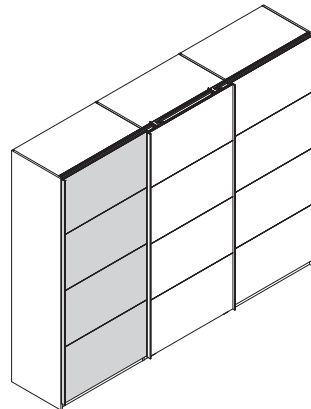


**B**

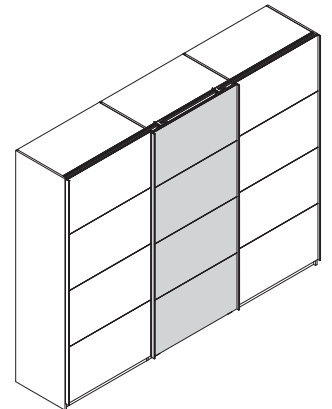
**3x**



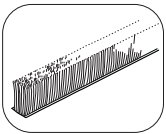
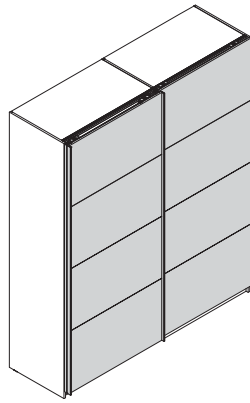
**A**



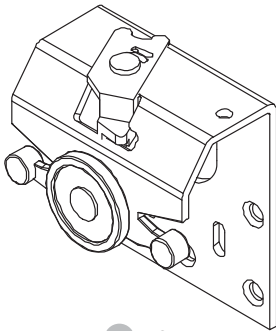
**C**



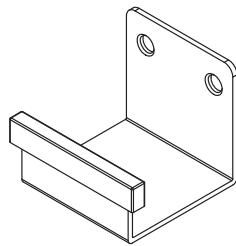
**D**



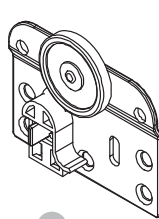
**H316** x1  
L. 2285mm



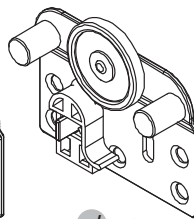
**a** x2  
80x48x92mm



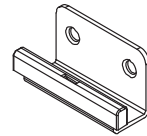
**b** x2  
58x63x51mm



**c** x1  
80x60x8,5mm



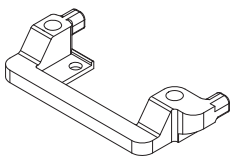
**d** x1  
80x60x8,5mm



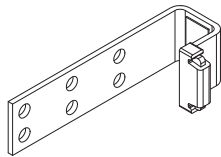
**e** x2  
57x20x31mm



**f** x24  
Ø6,3x11mm



**c** x1  
973-4508



**W580** x1



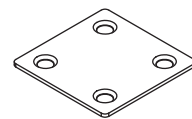
**g** x4  
823-6203  
Ø6,3x15mm



**h** x1  
821-6332  
Ø6,3x15mm



**i** x1  
820-6328  
Ø4x16mm



**W498**  
x12



**V13**  
x96



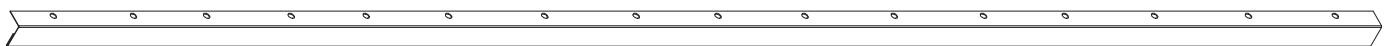
**V29**  
x16



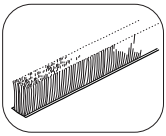
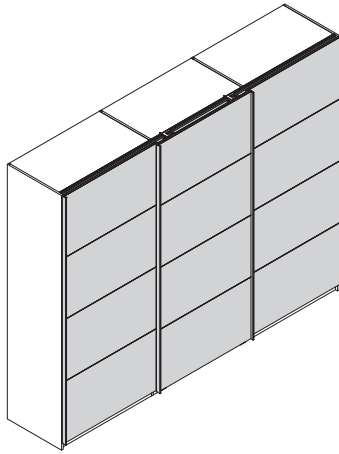
**M195/M206/M208** x1  
L. 2287mm



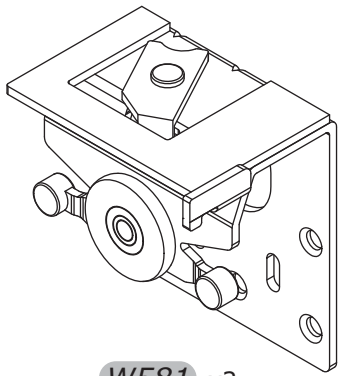
**M194/M205/M207** x3  
L. 2287mm



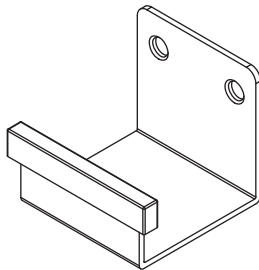
**W584/W587/W588** x1  
L. 2287mm



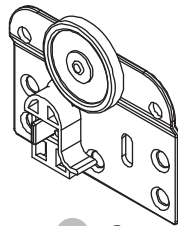
**H316** x2  
L. 2285mm



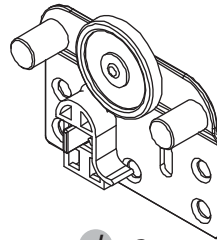
**W581** x2  
90x73x105mm



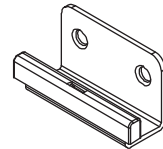
**b** x2  
58x63x51mm



**c** x2  
80x60x8,5mm



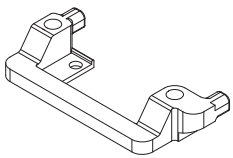
**d** x2  
80x60x8,5mm



**e** x4  
57x20x31mm



**f** x34  
Ø6,3x11mm



**c** x2  
973-4508



H317 x1



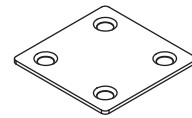
**g** x2  
823-6203  
Ø6,3x15mm



**h** x2  
821-6332  
Ø6,3x15mm



**i** x2  
820-6328  
Ø4x16mm



**W498**  
x18



**V13**  
x168



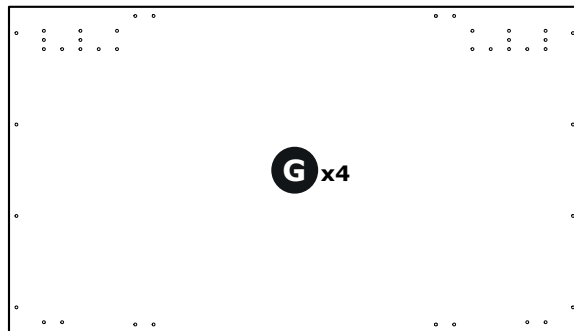
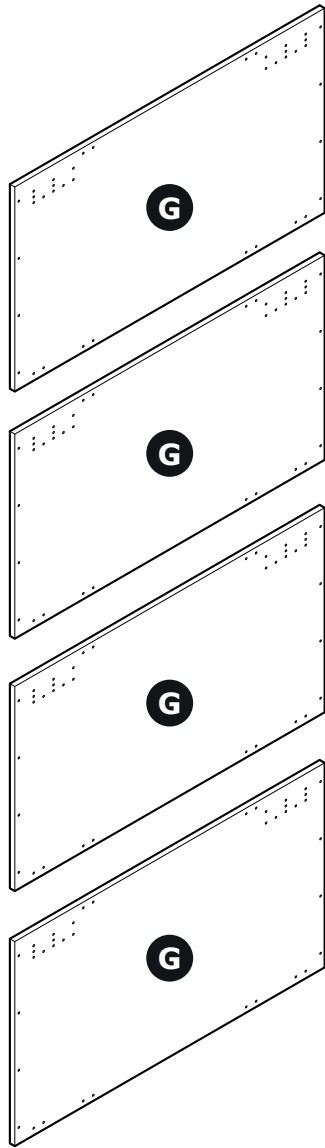
**H113**  
x8



**M195/M206/M208** x2  
L. 2287mm

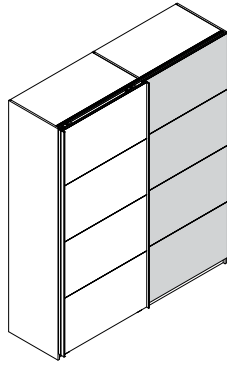


**M194/M205/M207** x4  
L. 2287mm

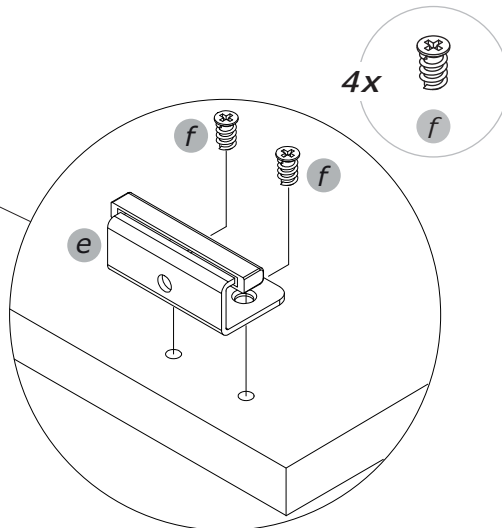
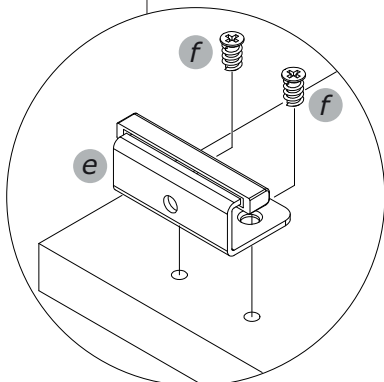
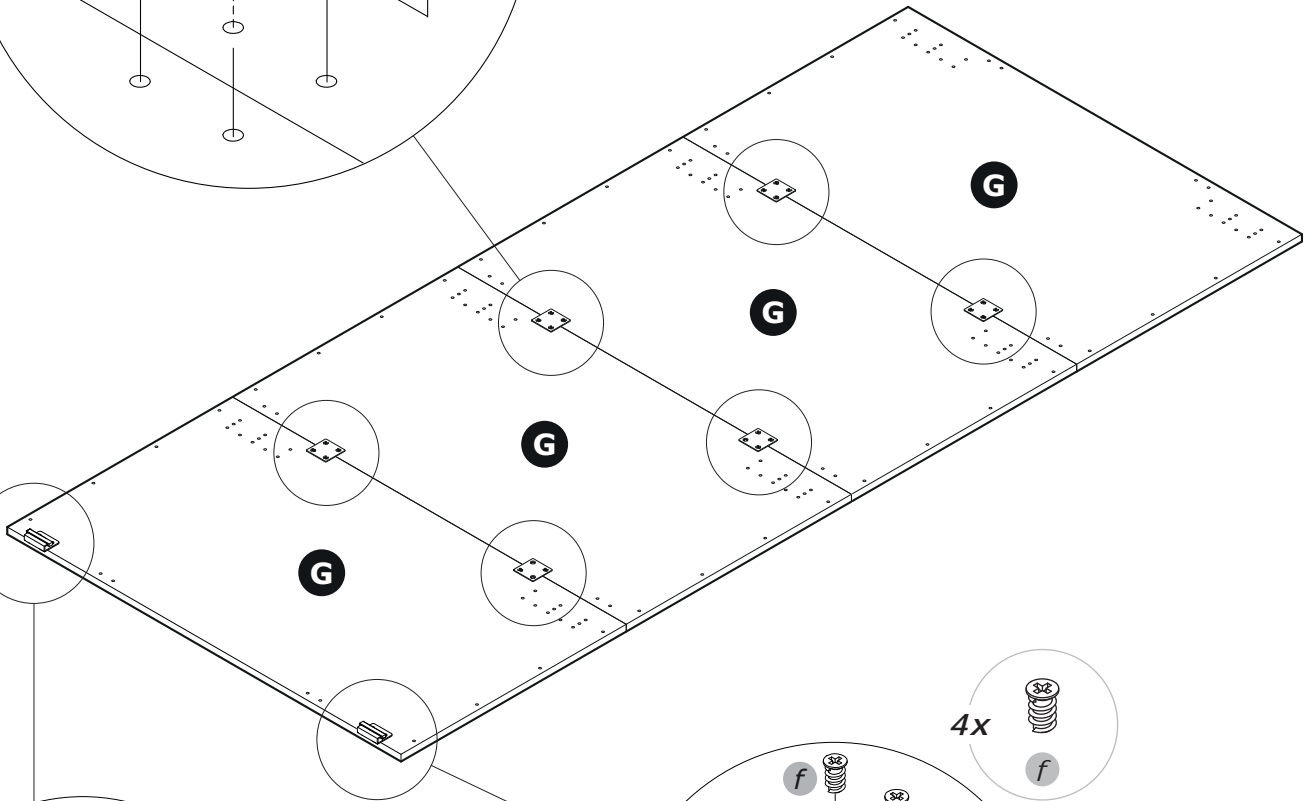
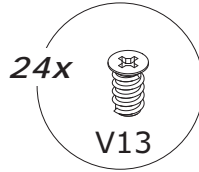
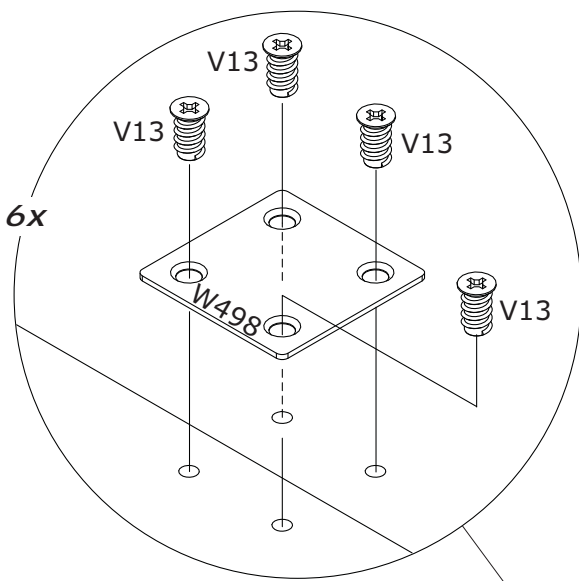
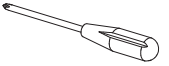


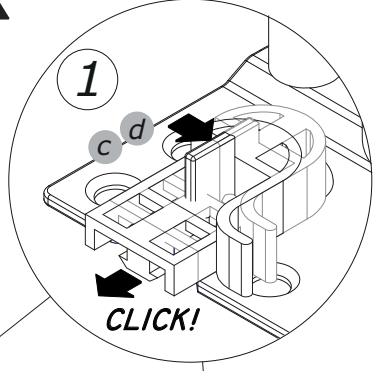
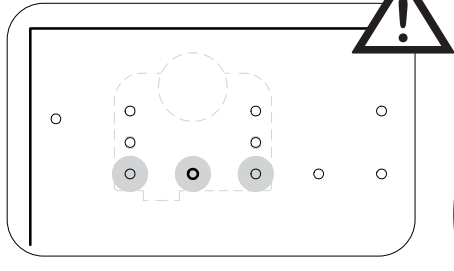
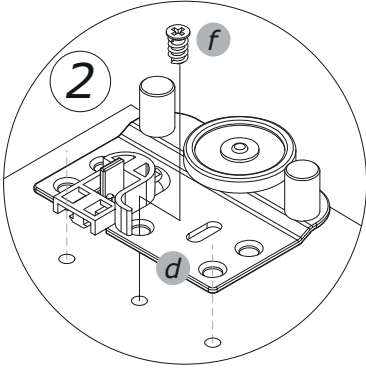
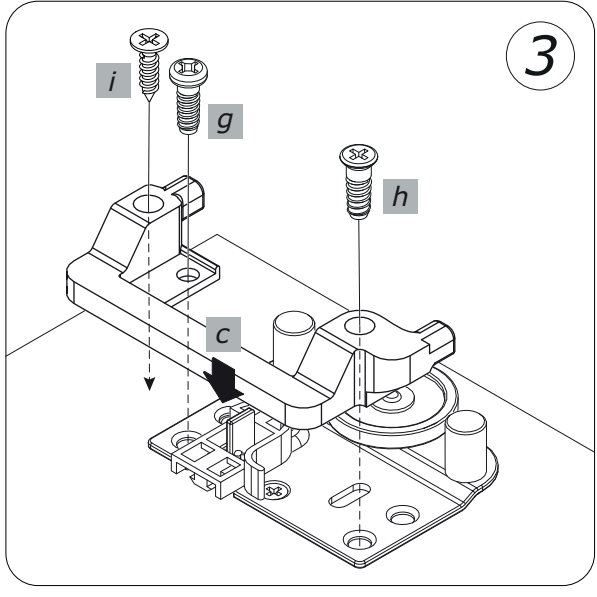
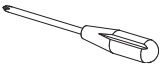
**AN2892**  
1000x572x16mm

# A

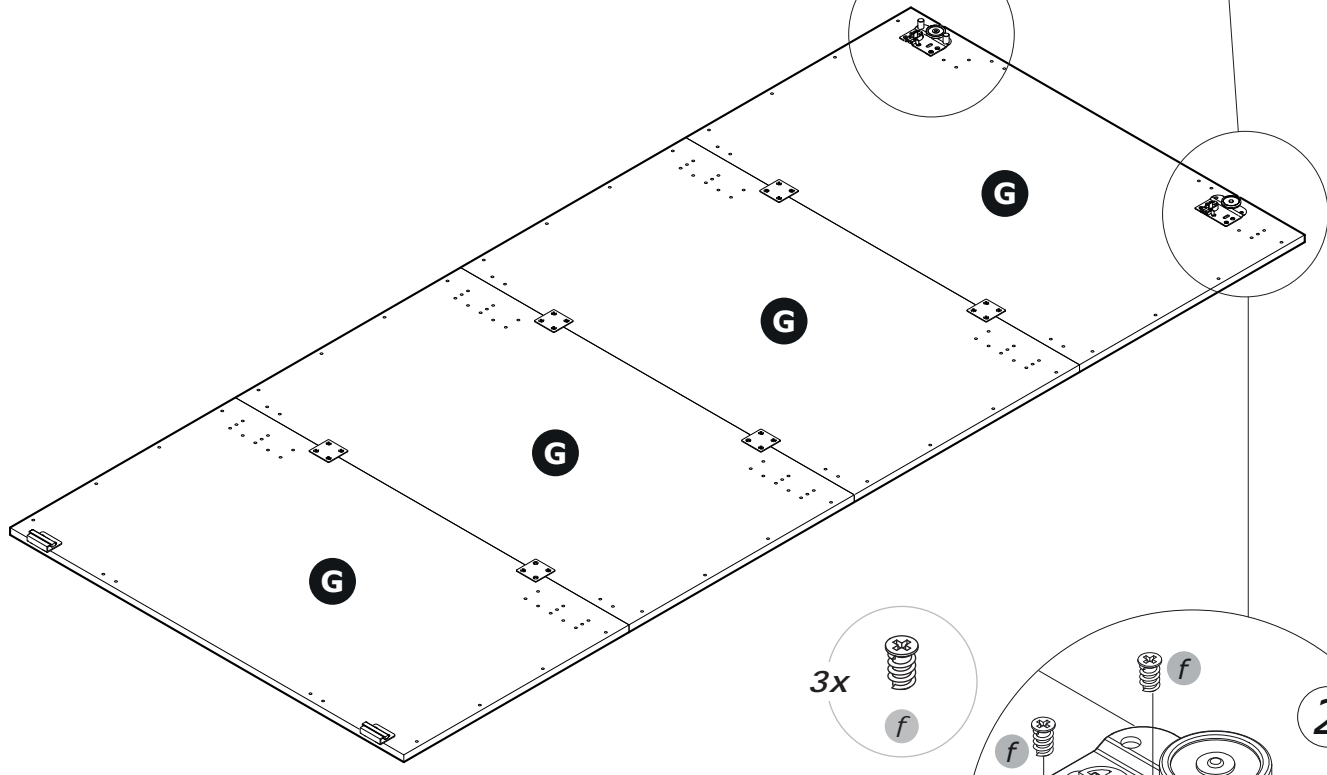


## 1

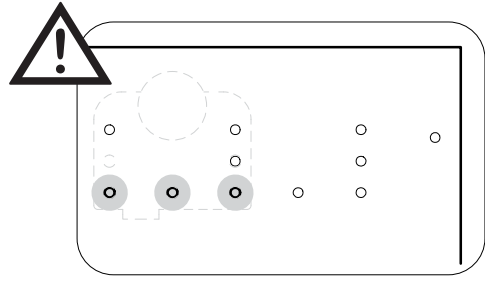
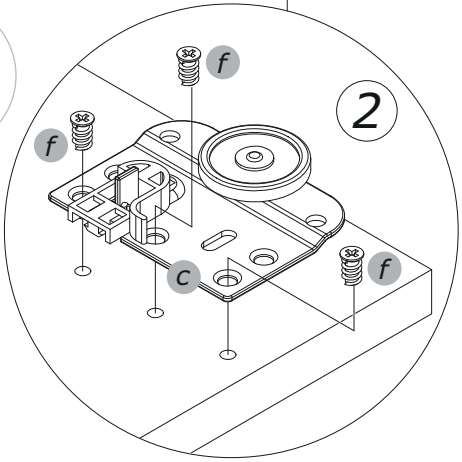




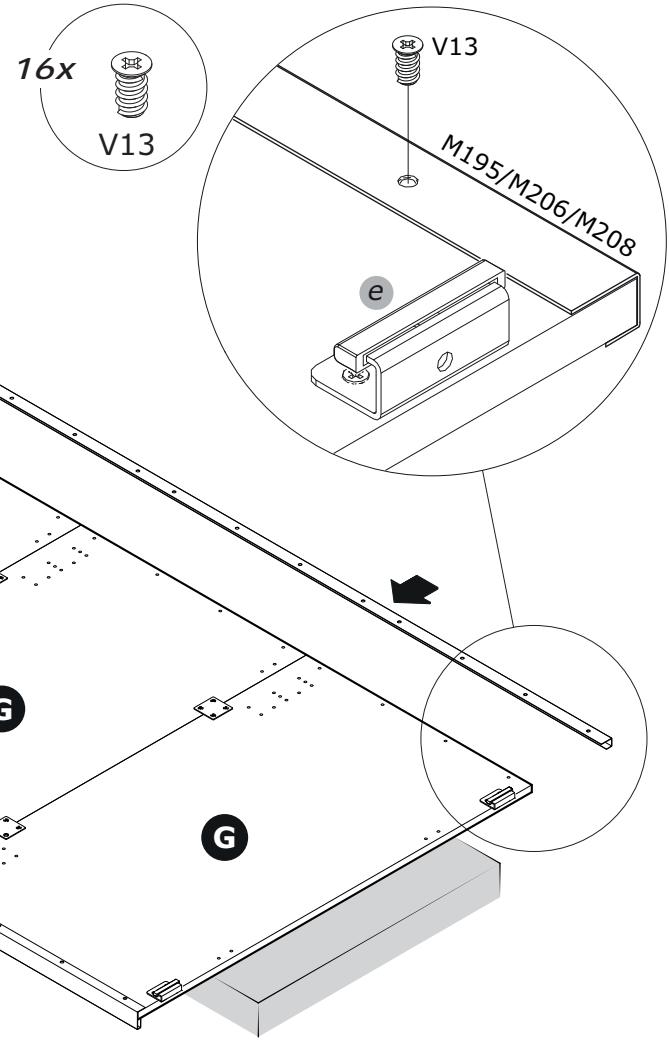
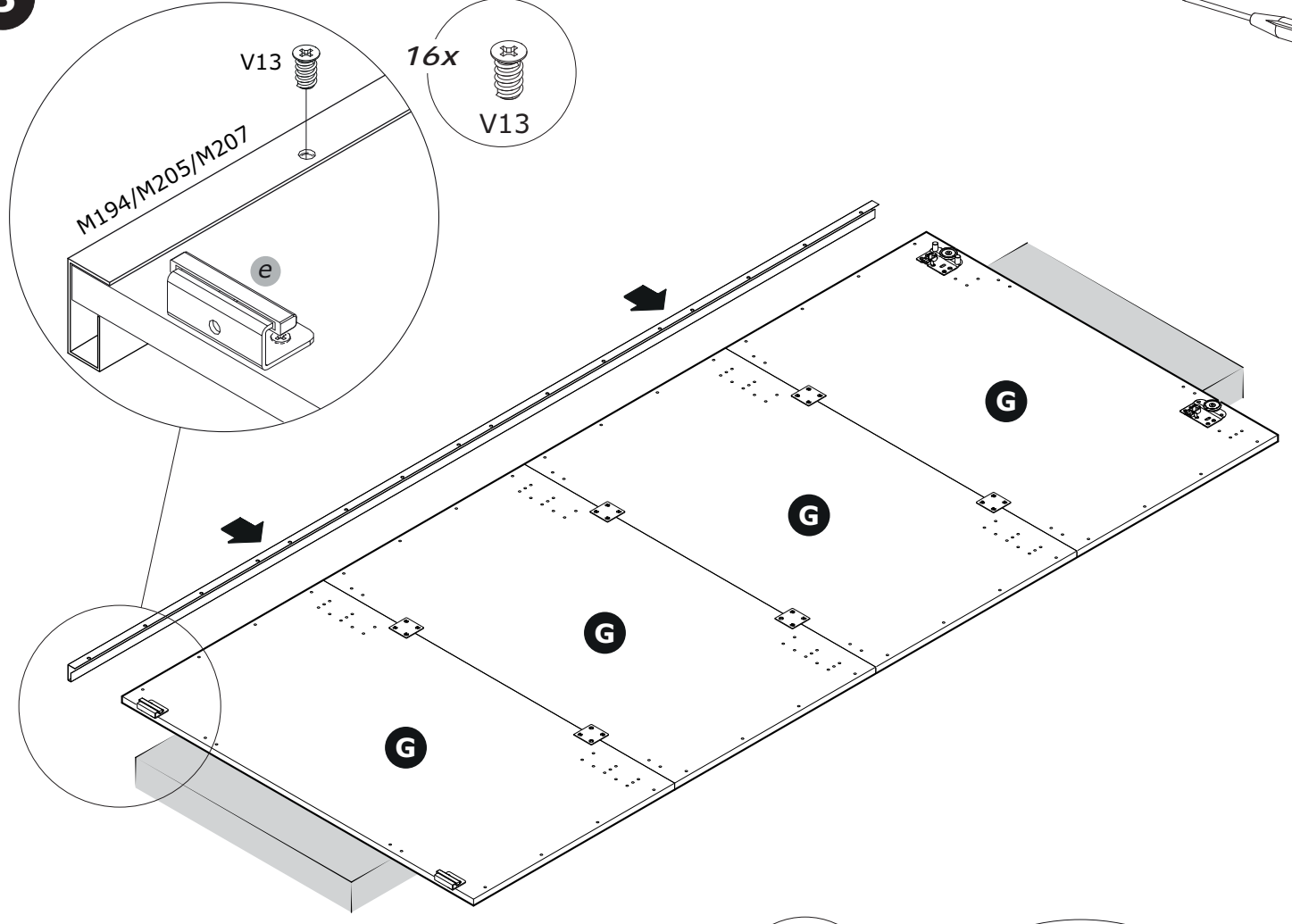
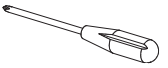
- 1x
- g**
  - h**
  - i**
  - f**



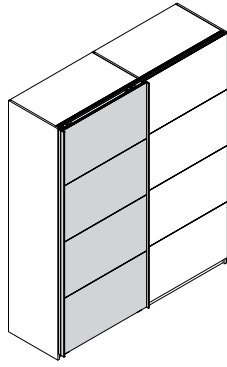
- 3x
- f**



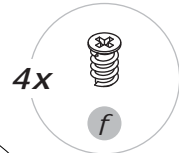
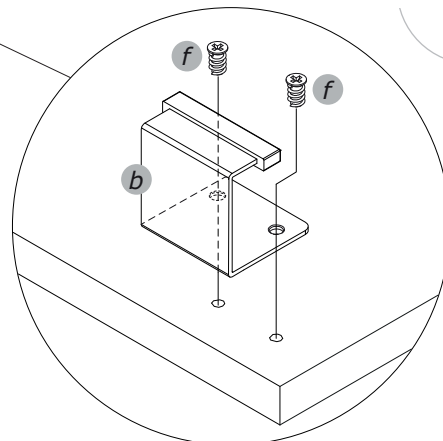
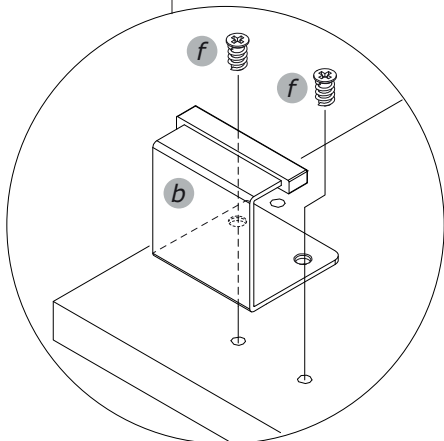
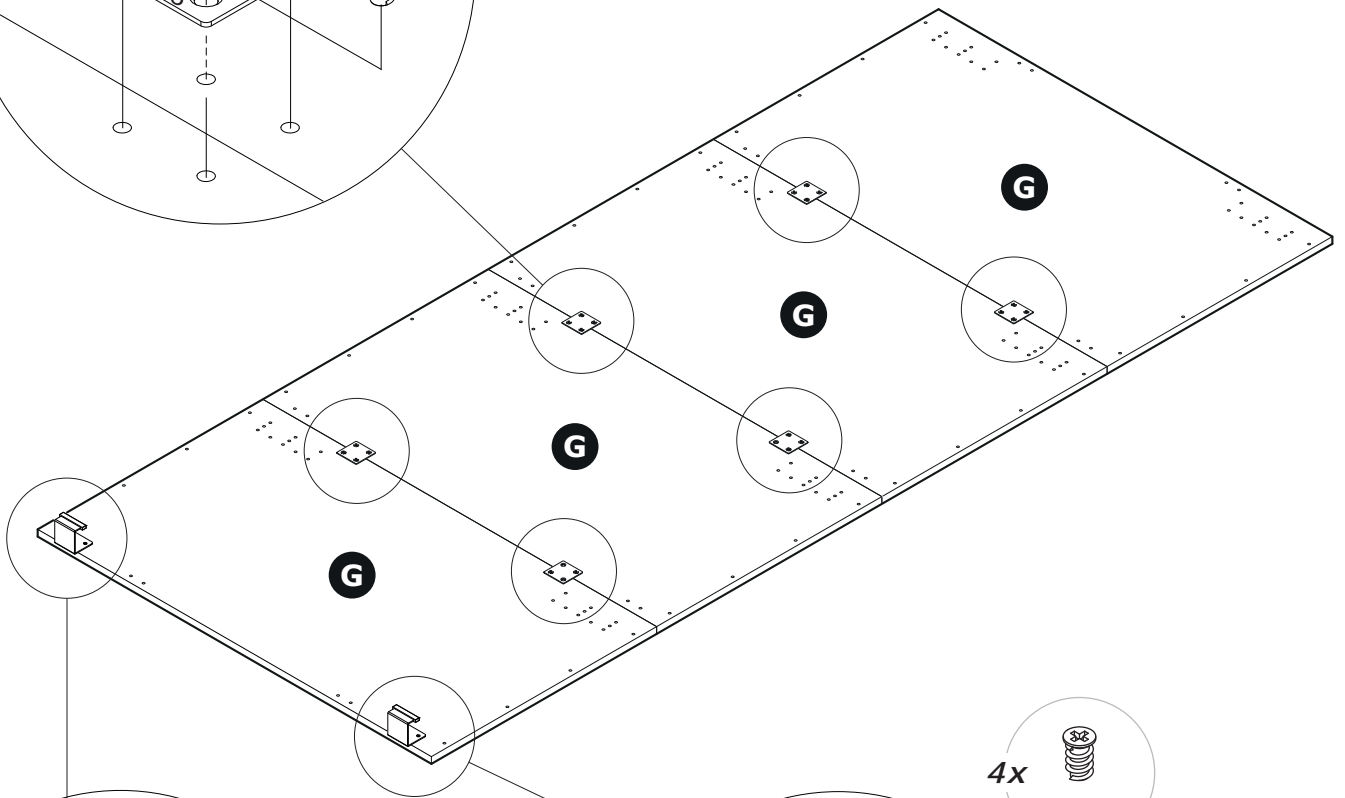
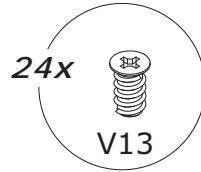
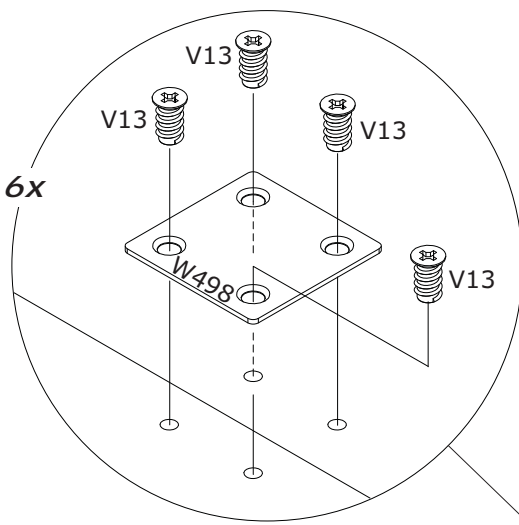
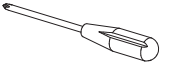
3

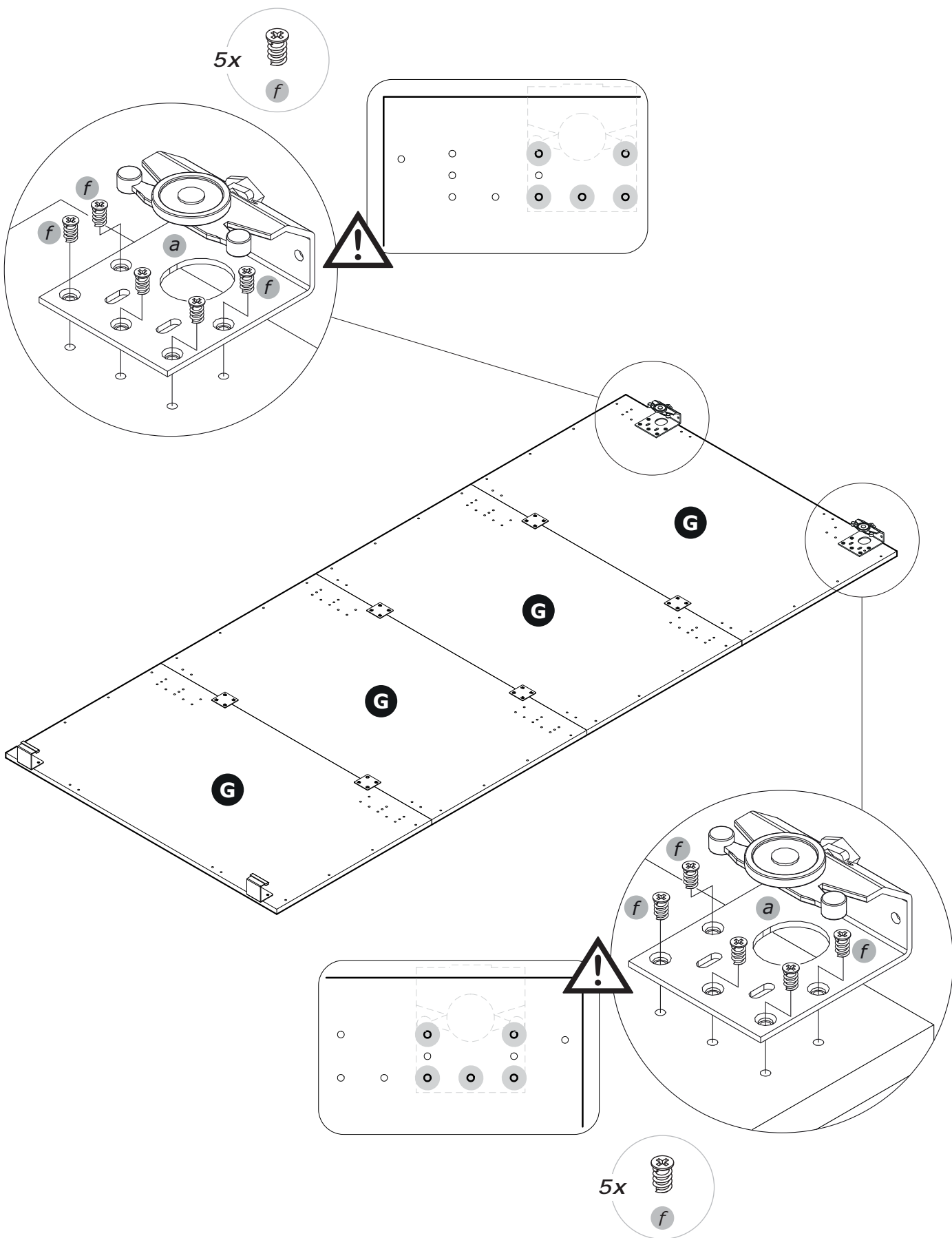
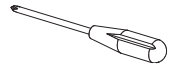


# B

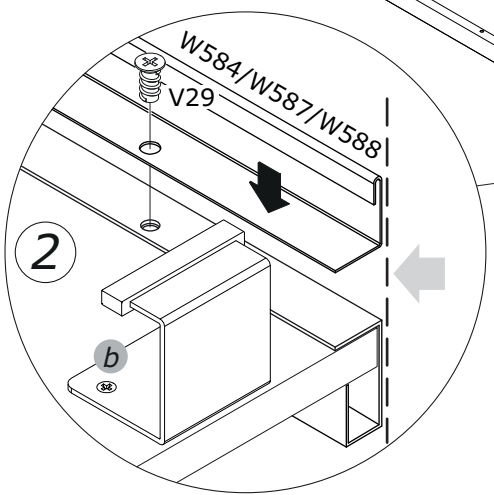
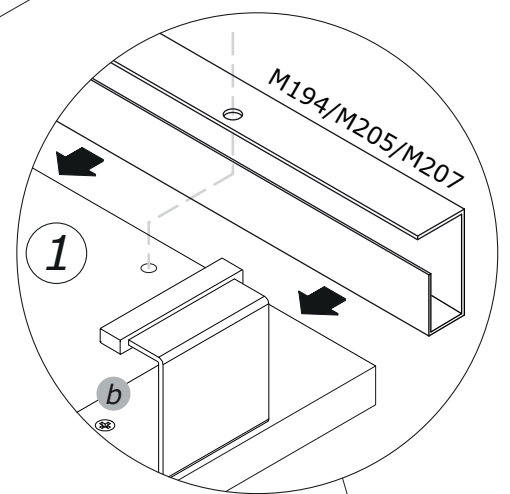
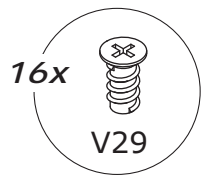
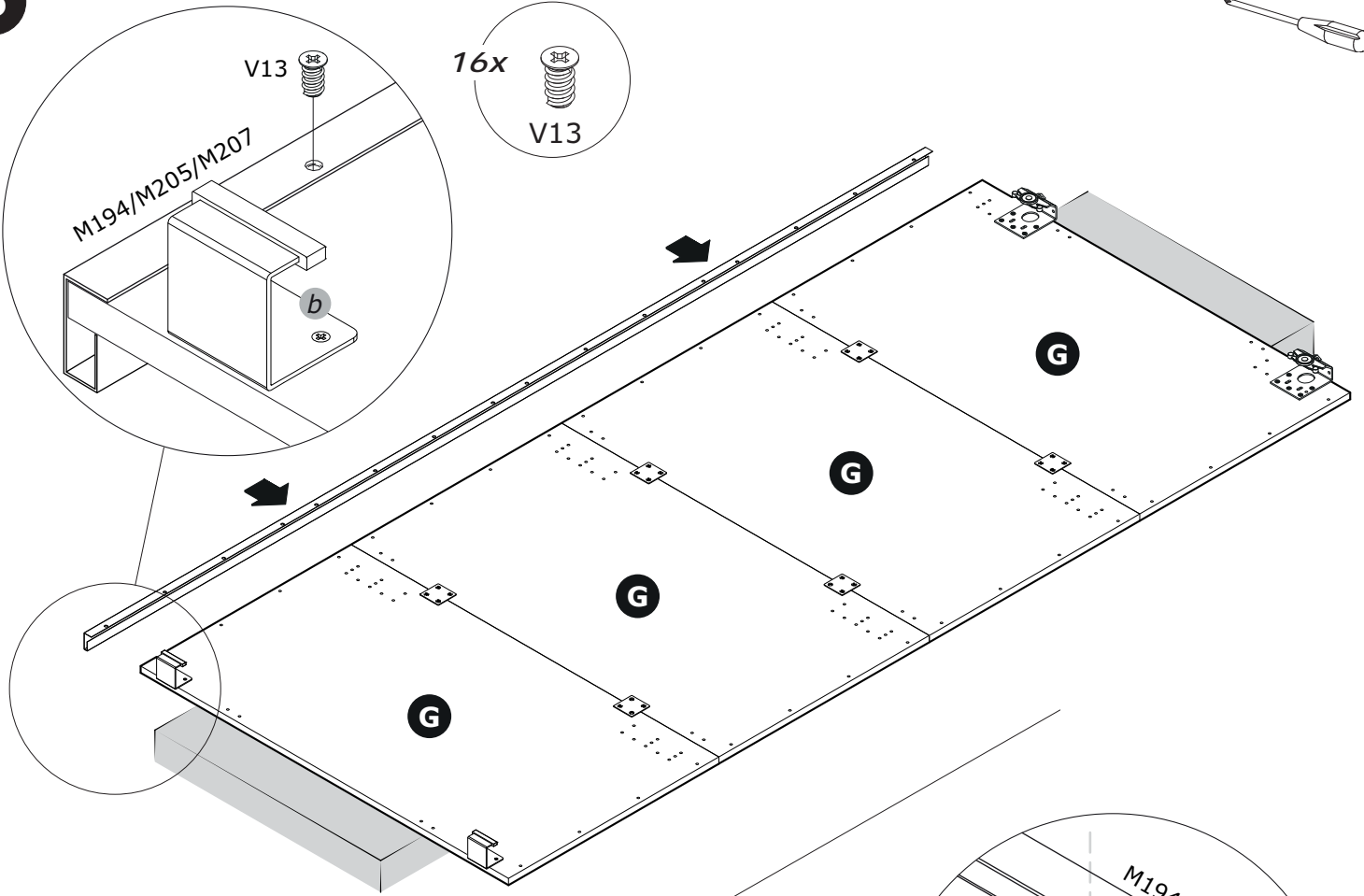
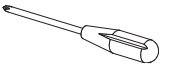


## 4

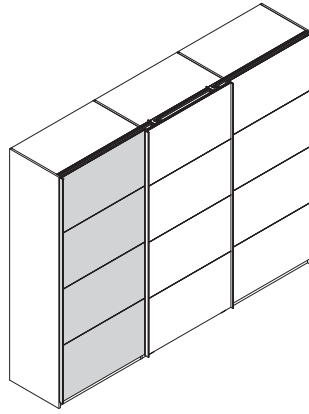




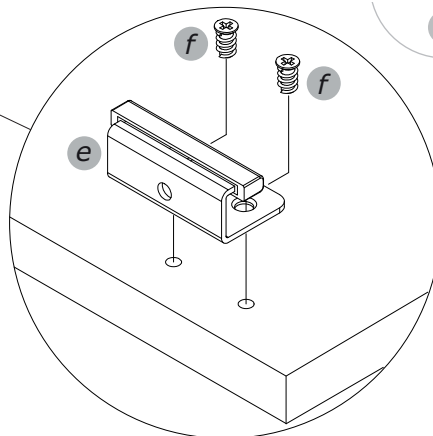
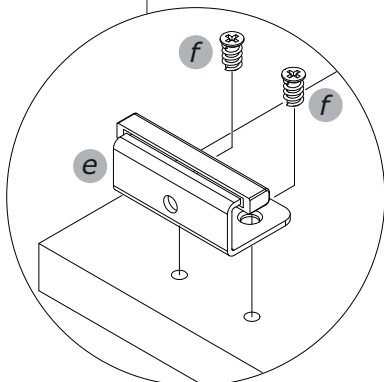
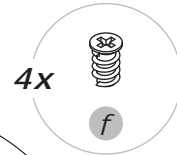
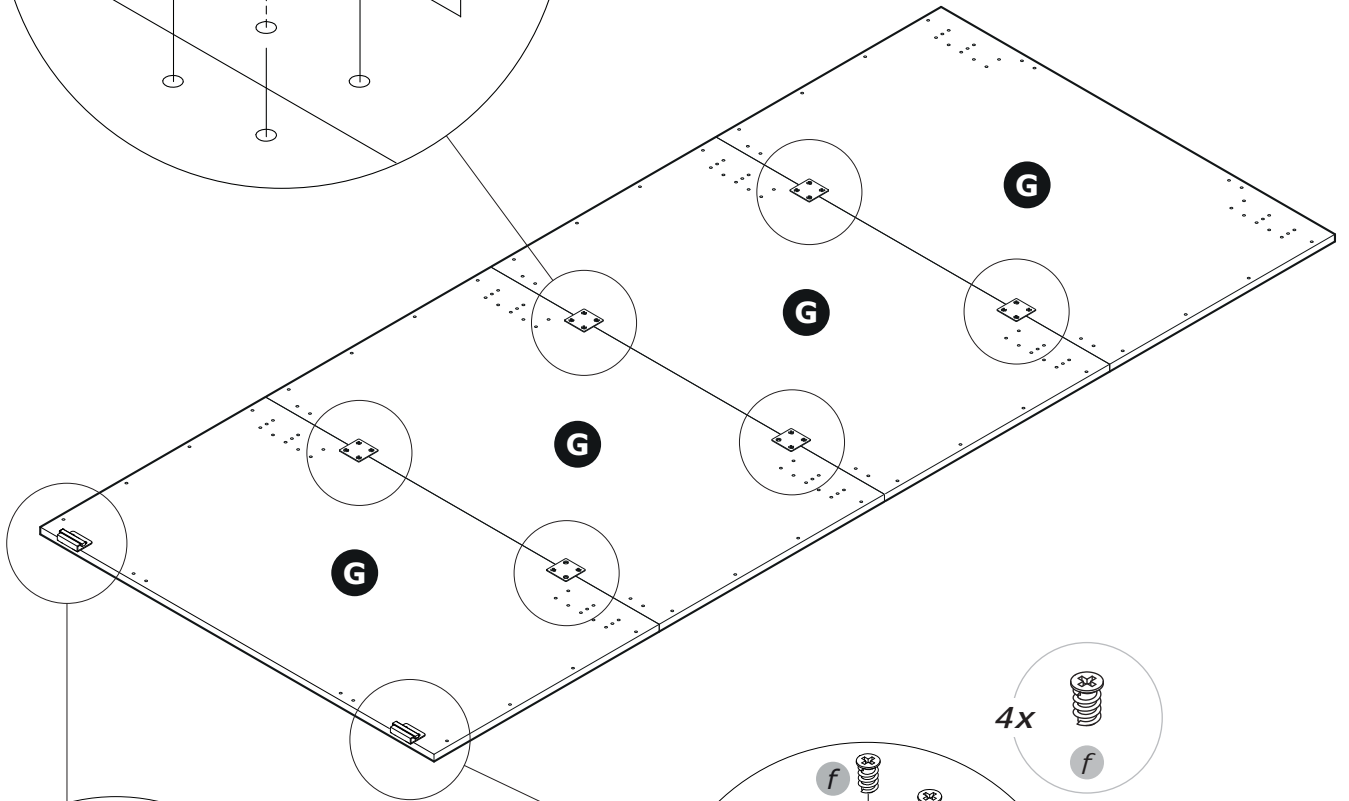
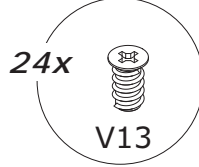
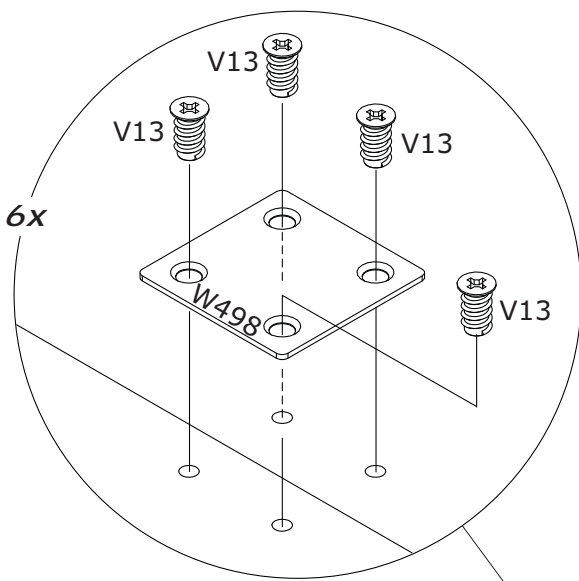
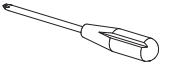
6

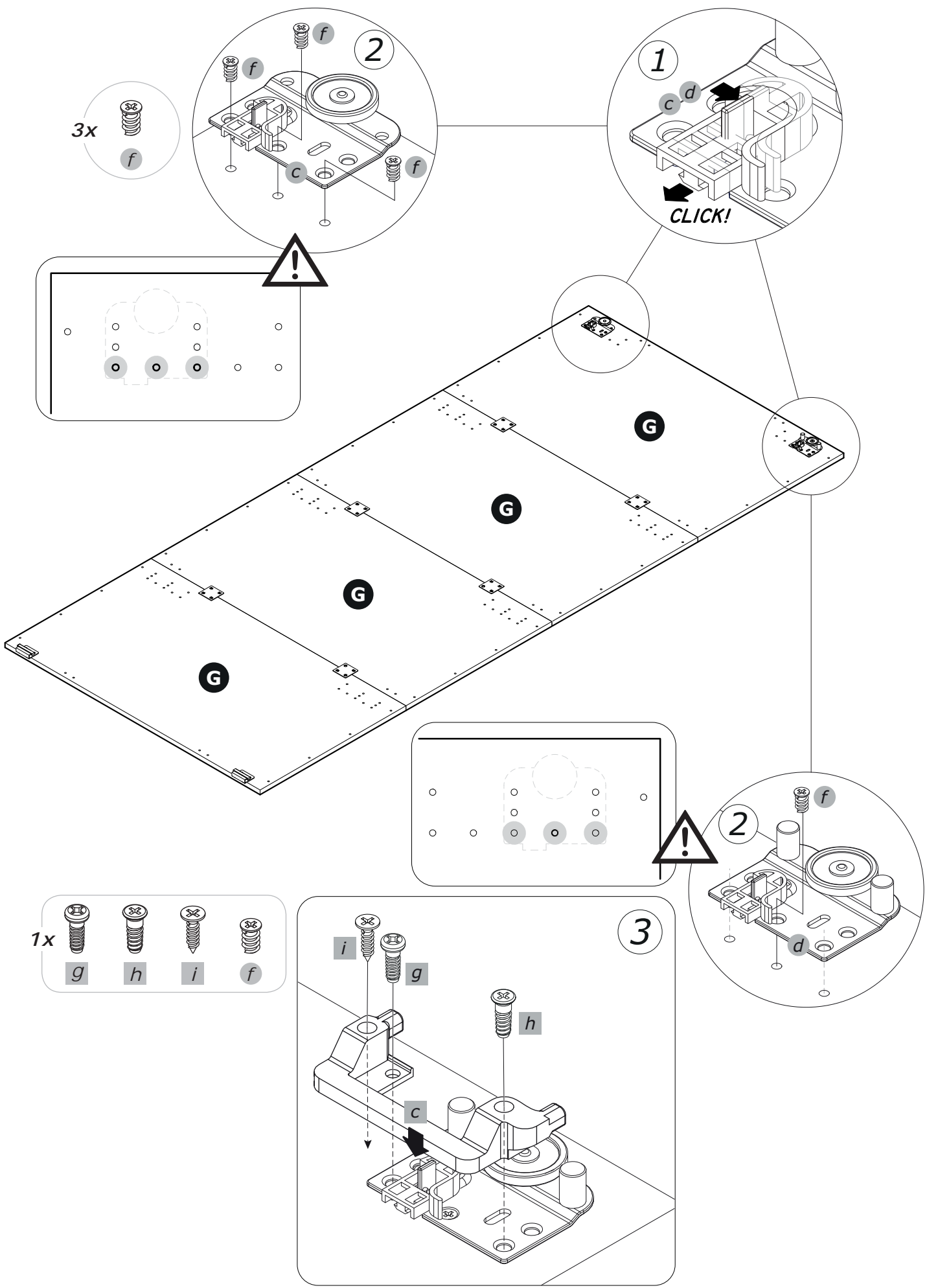
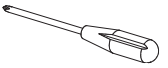


# C

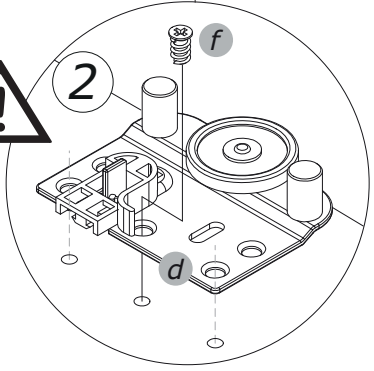
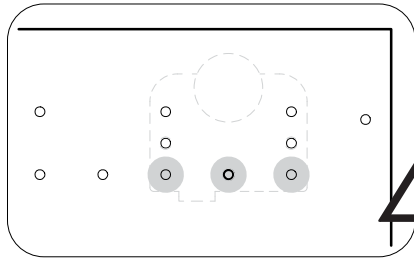
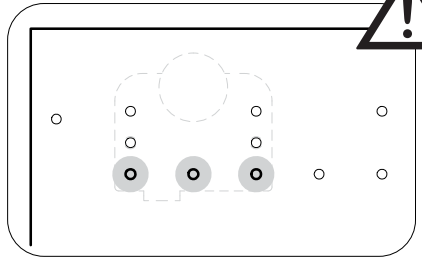
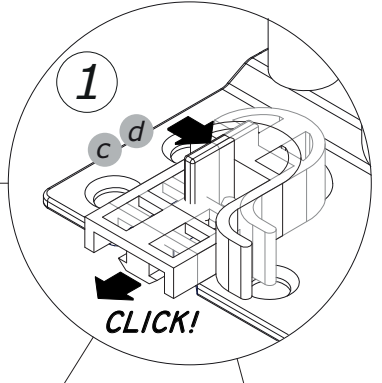
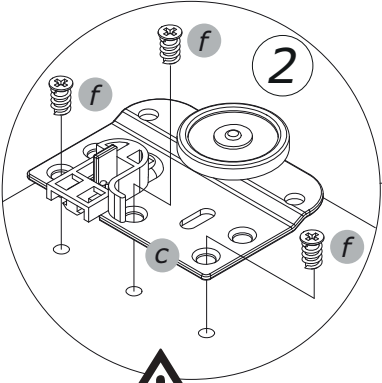






## 7

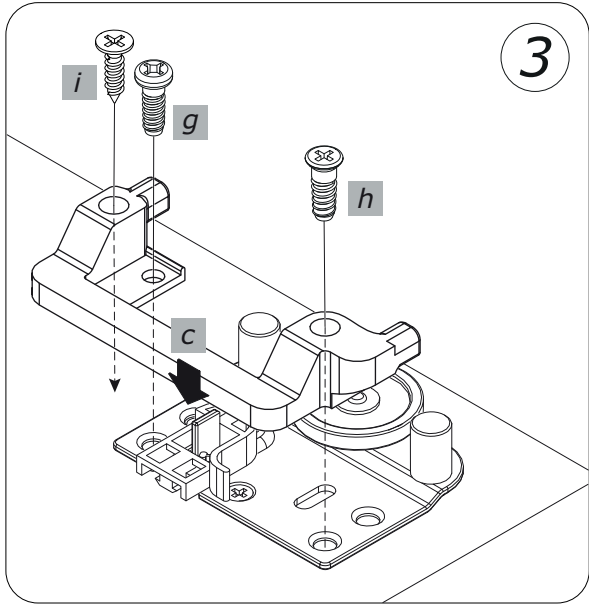




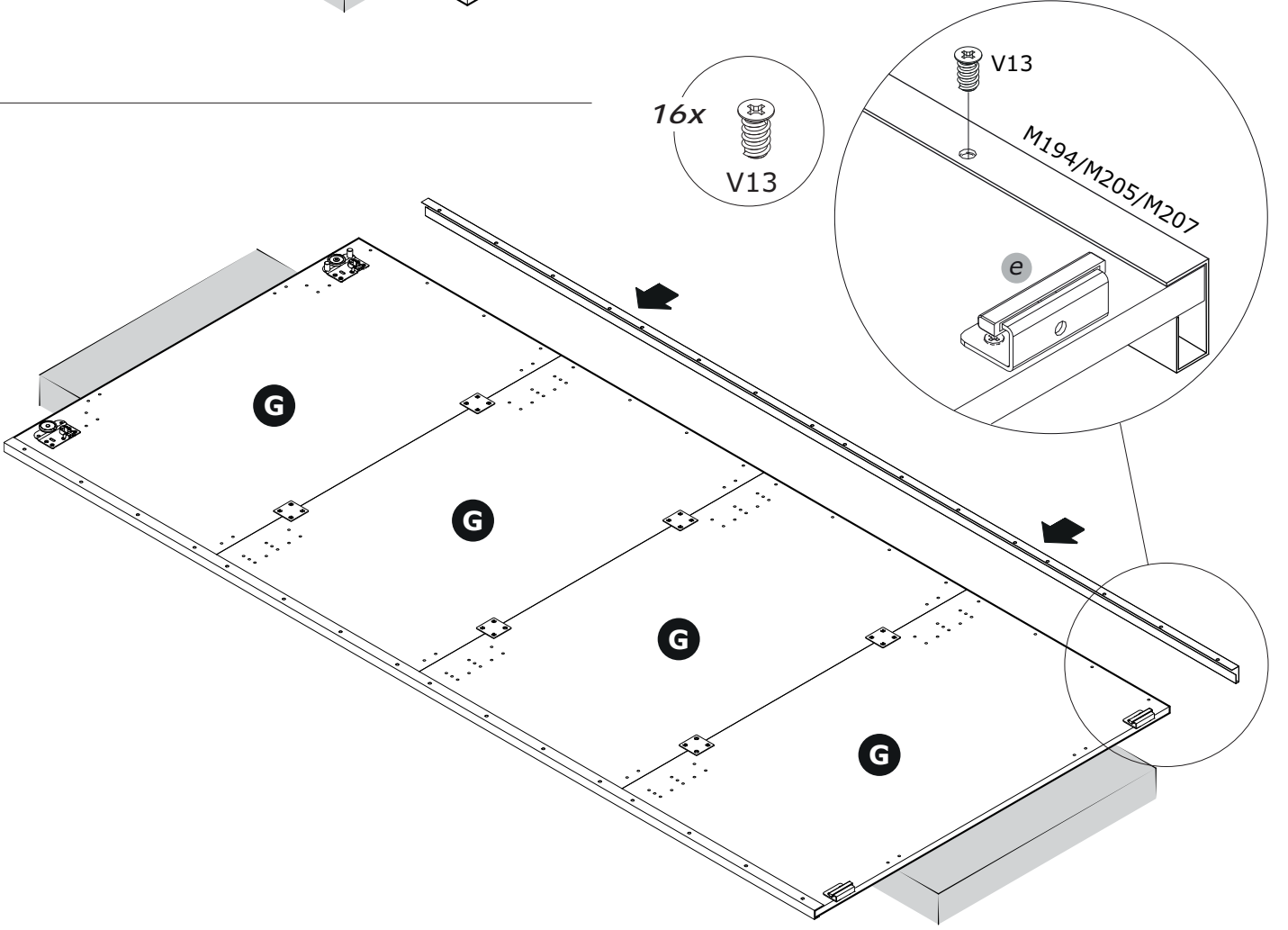
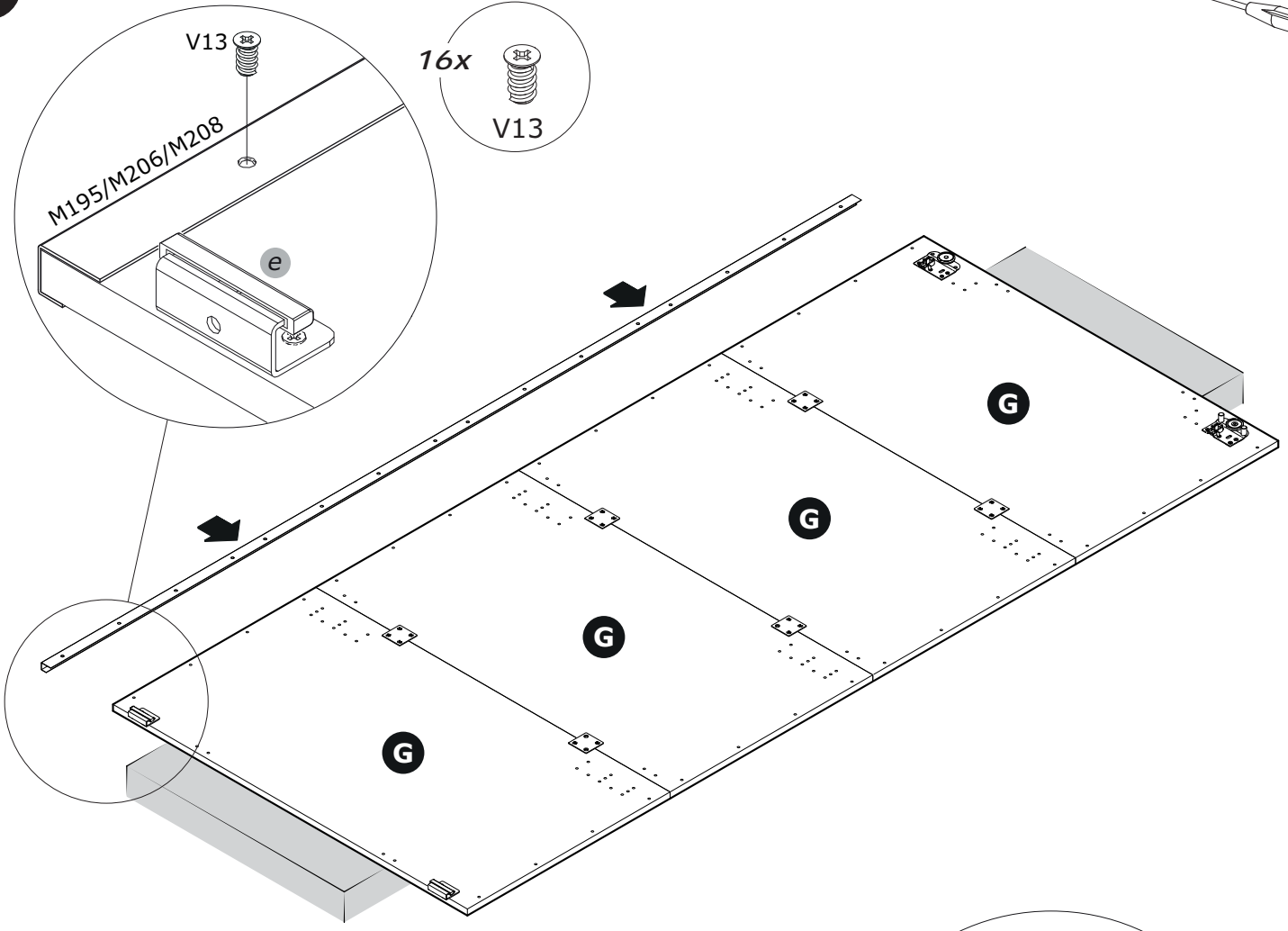
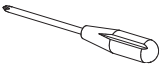
- 3x  f



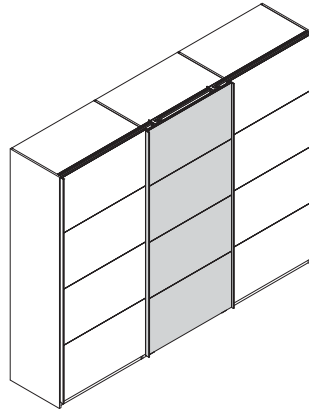
- 1x  g
-  h
-  i
-  f



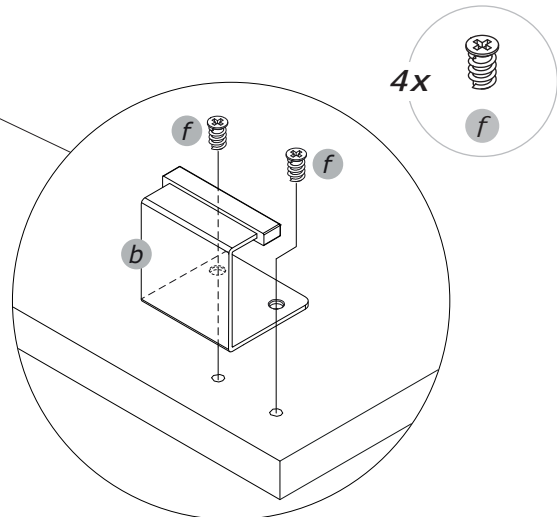
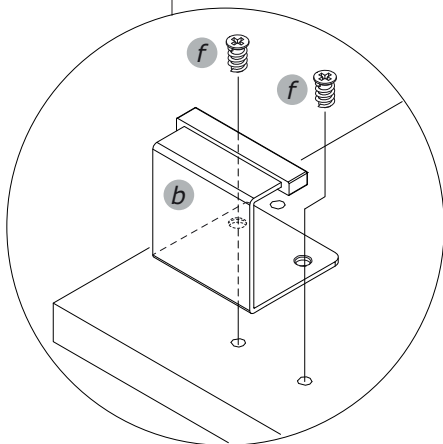
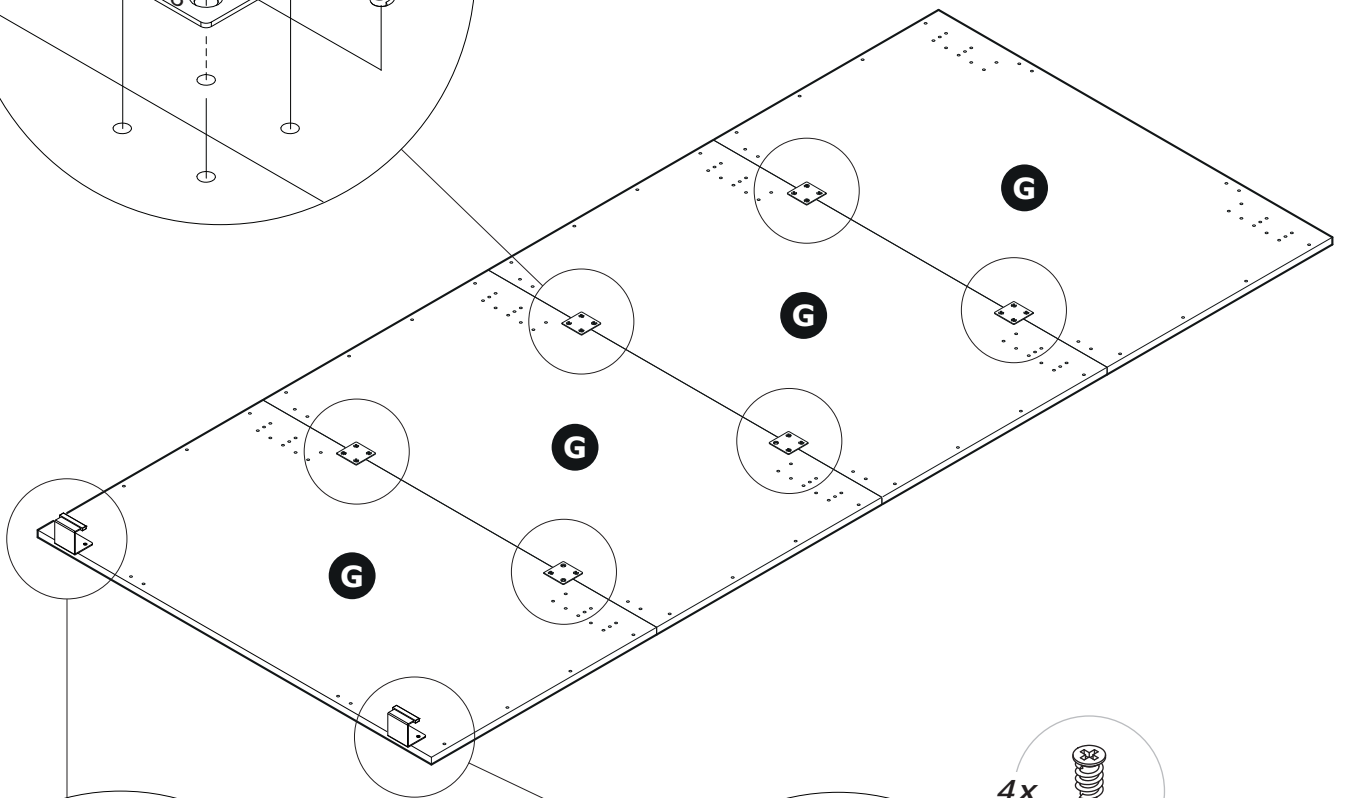
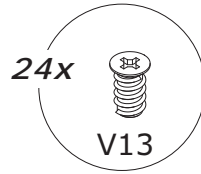
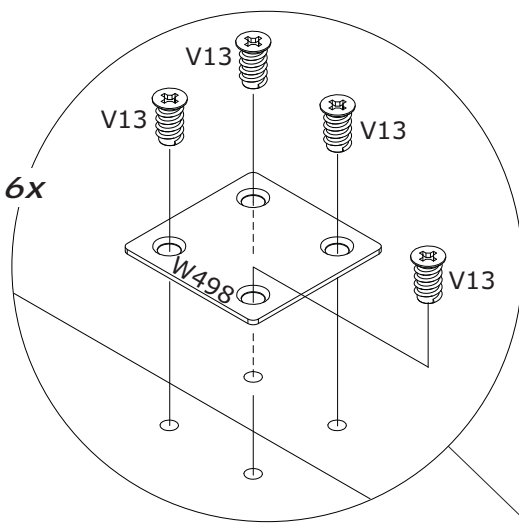
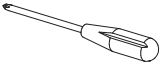
9



# D

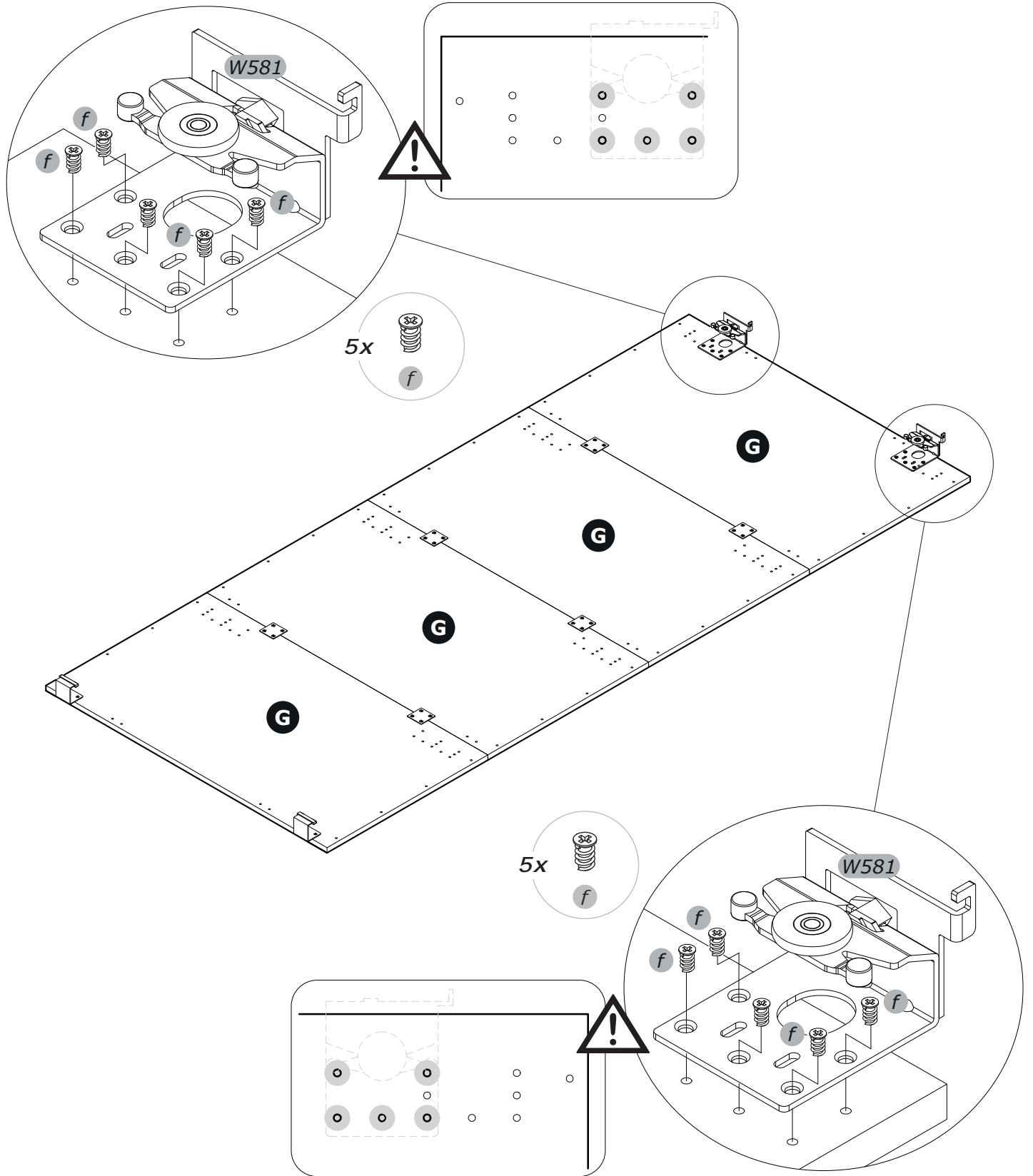
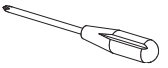


10

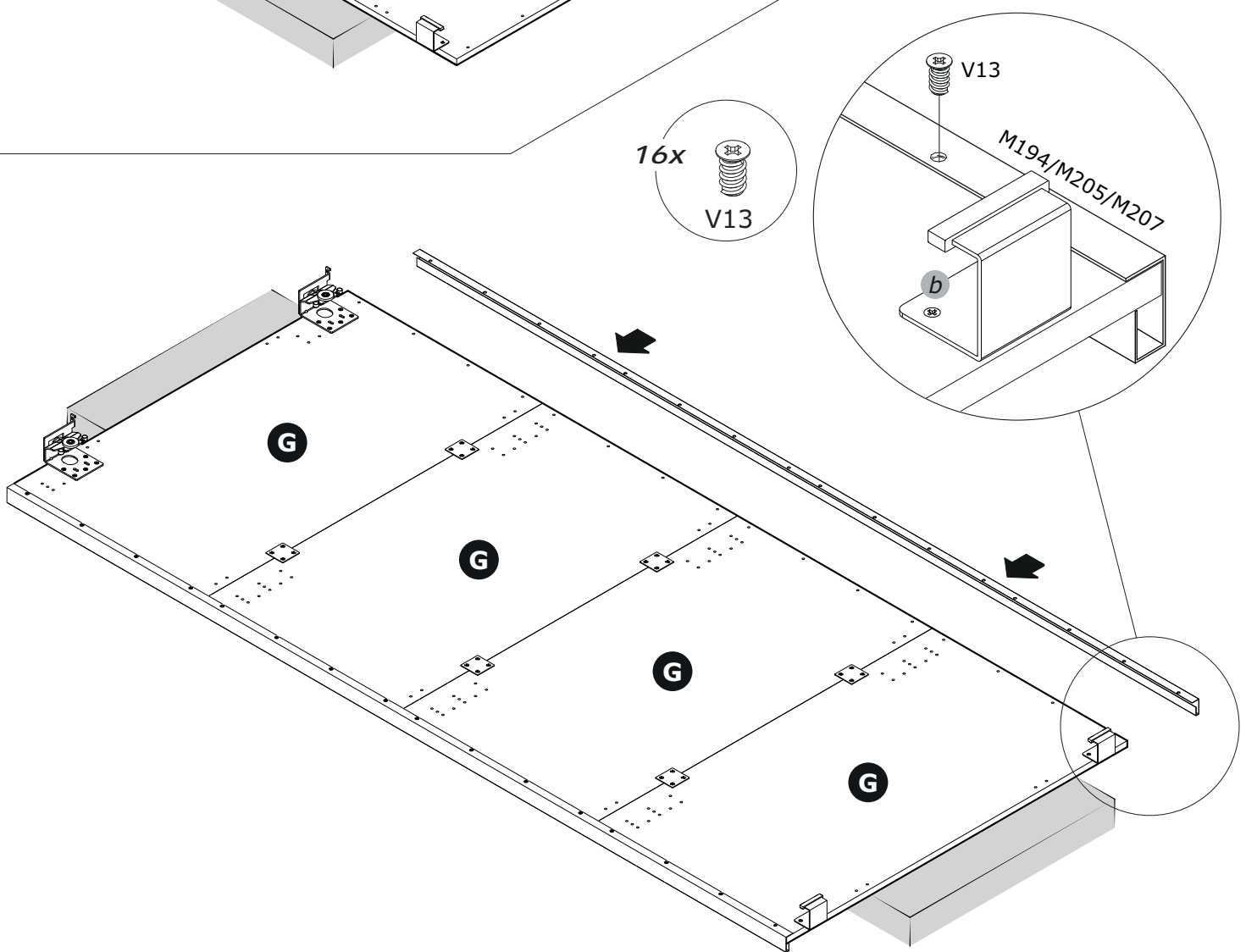
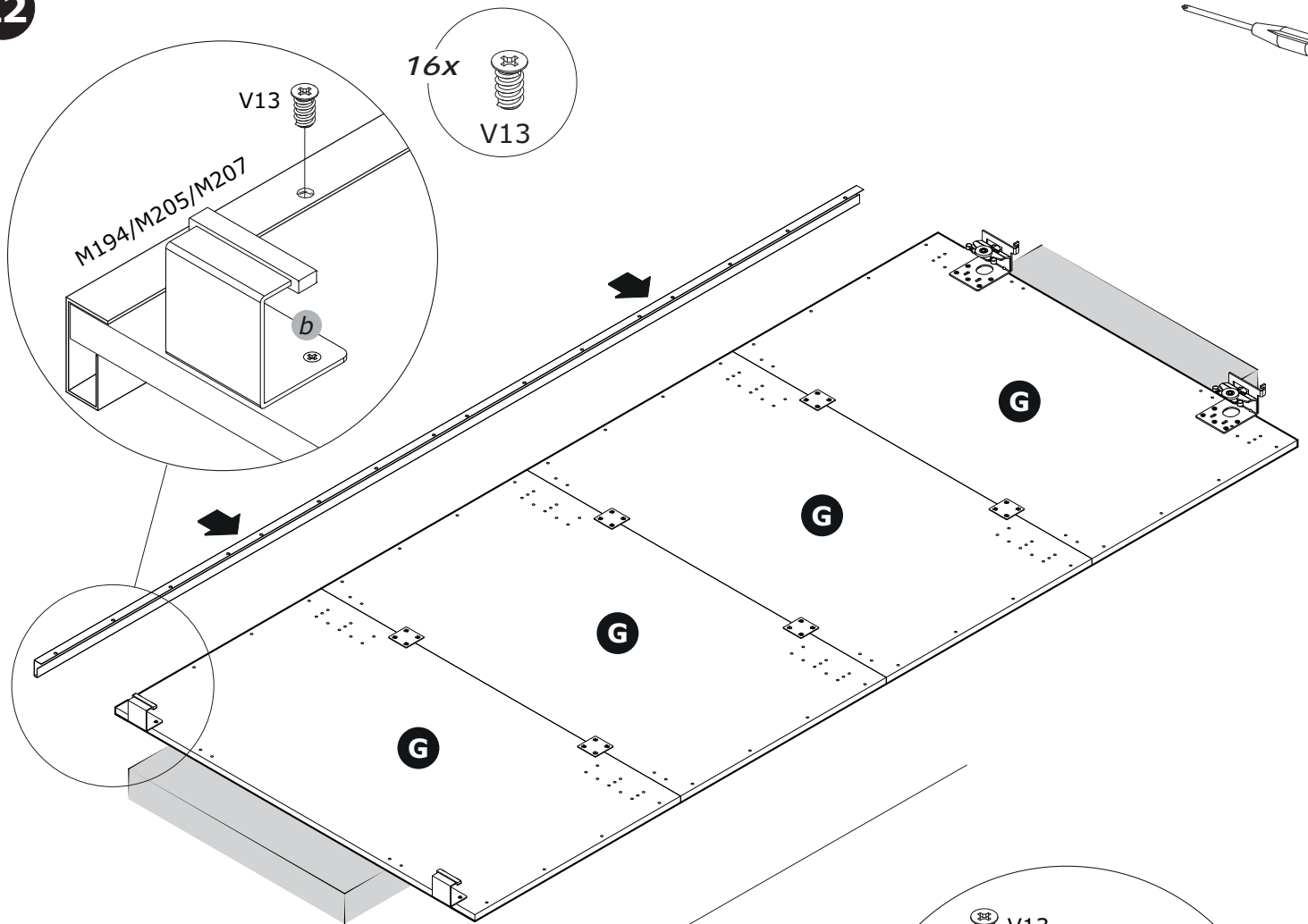
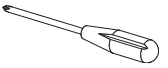


4x

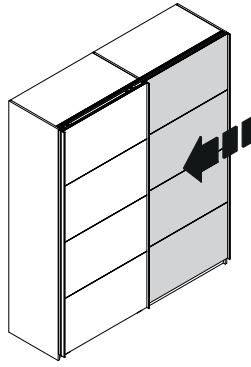




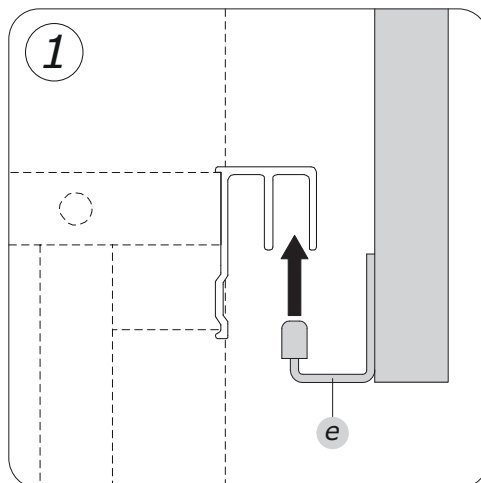
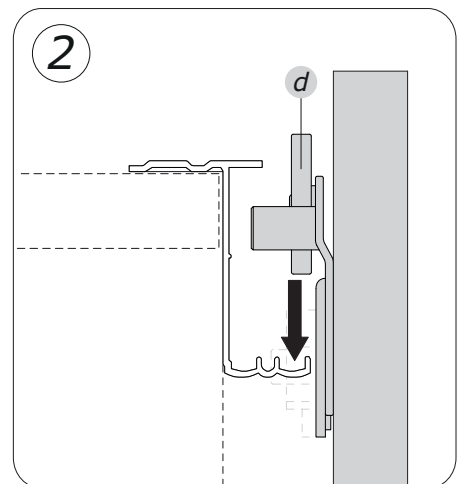
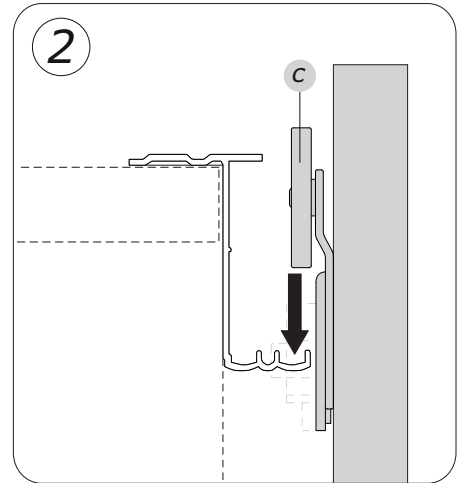
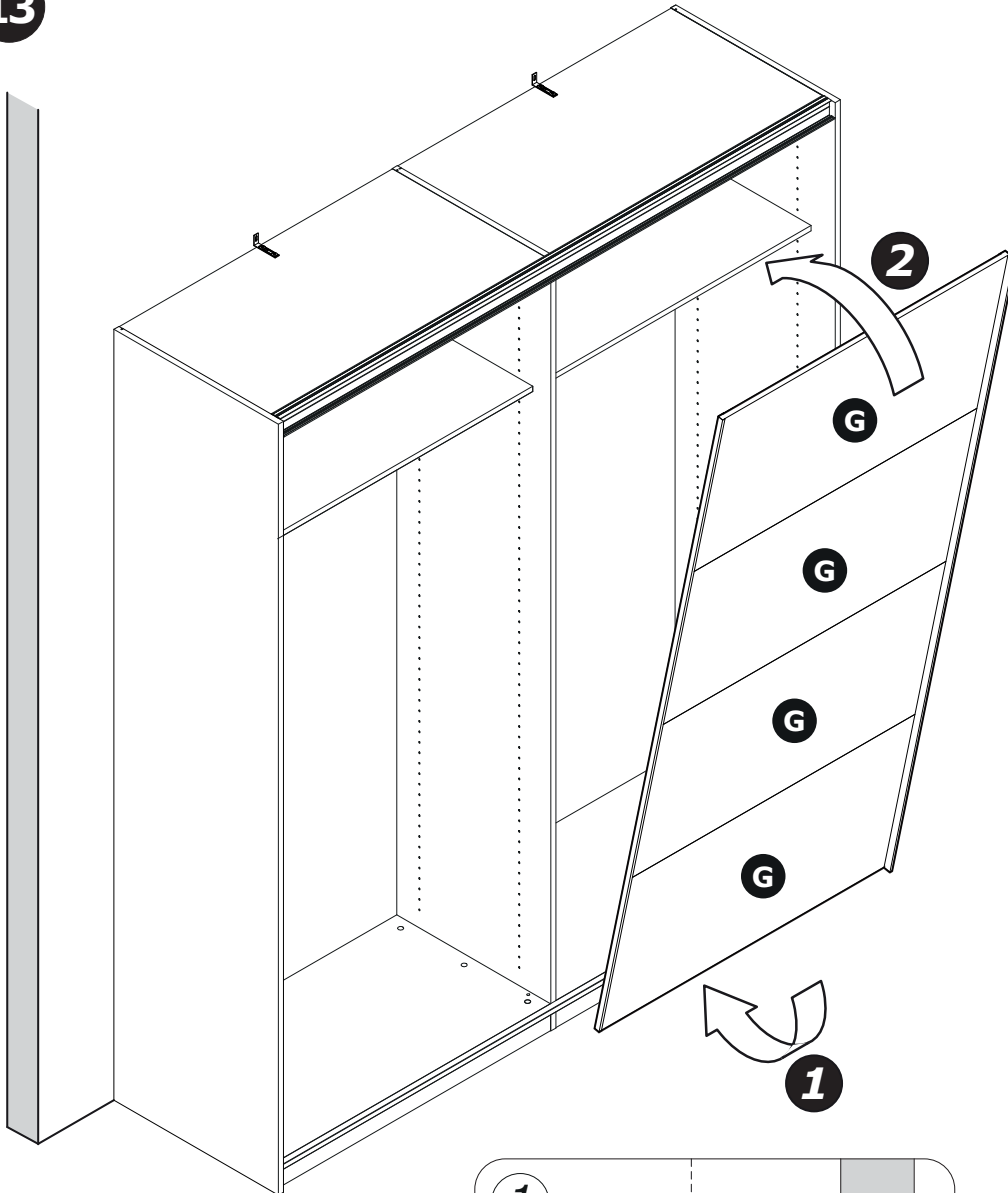
12

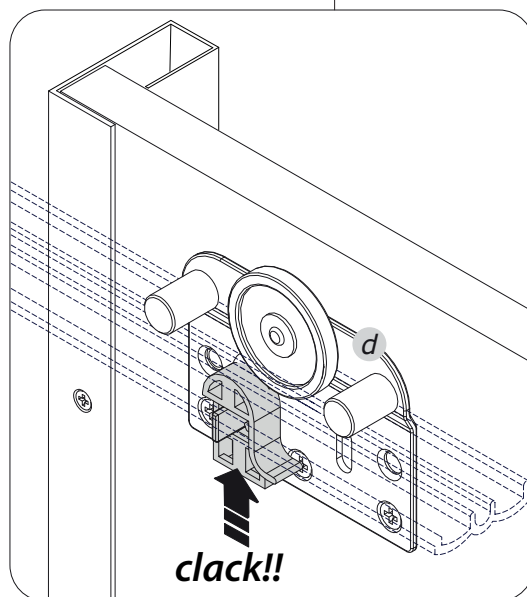
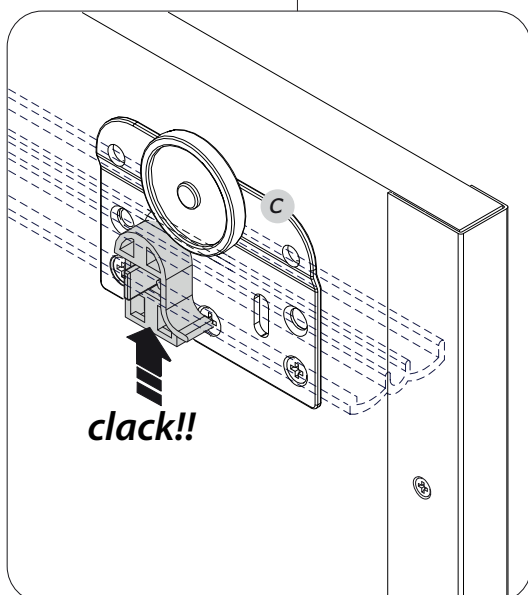
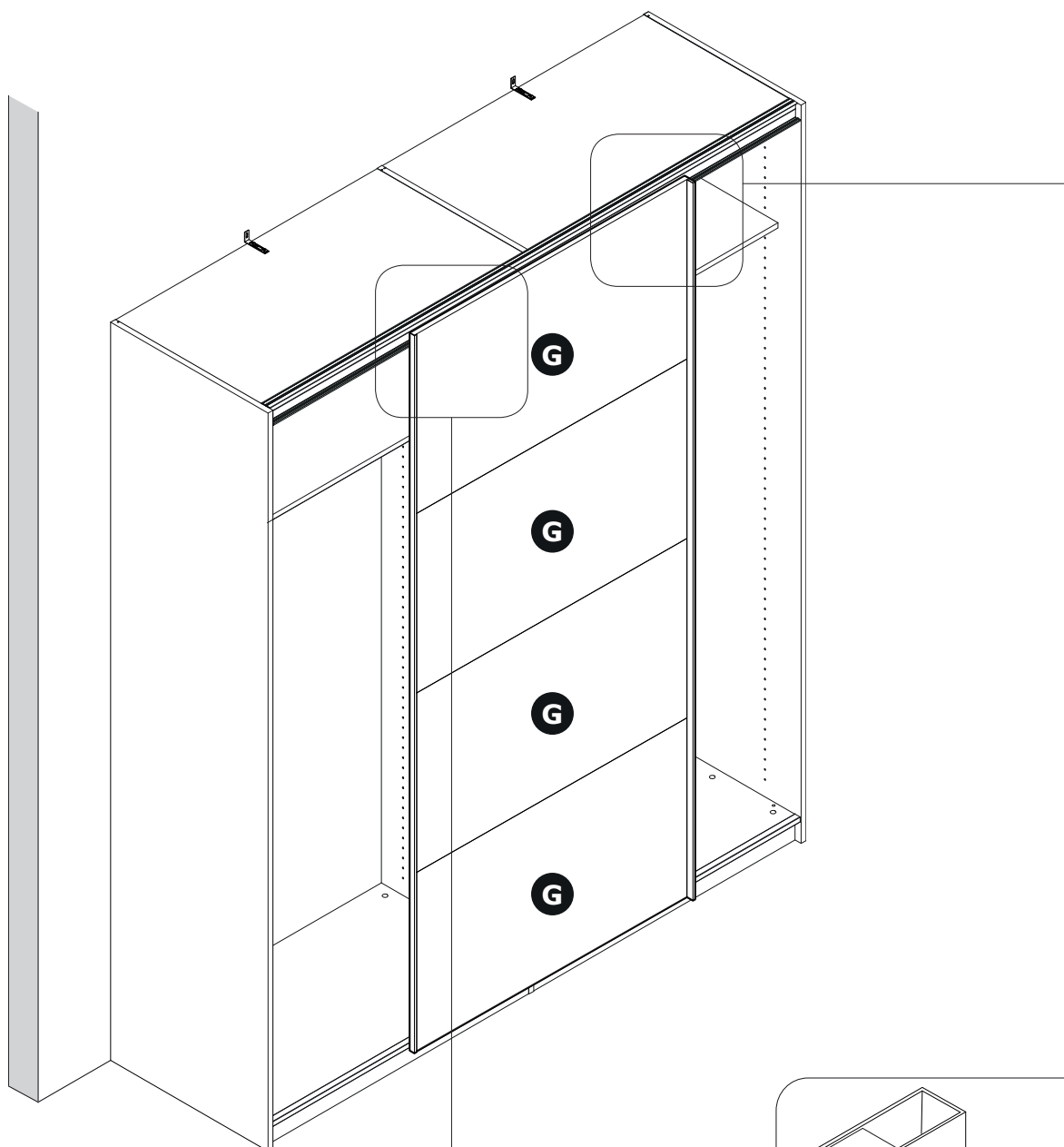


# A

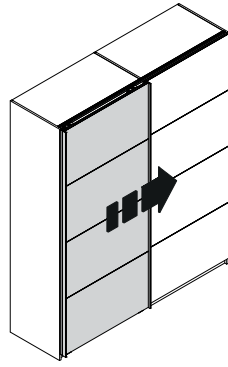


## 13

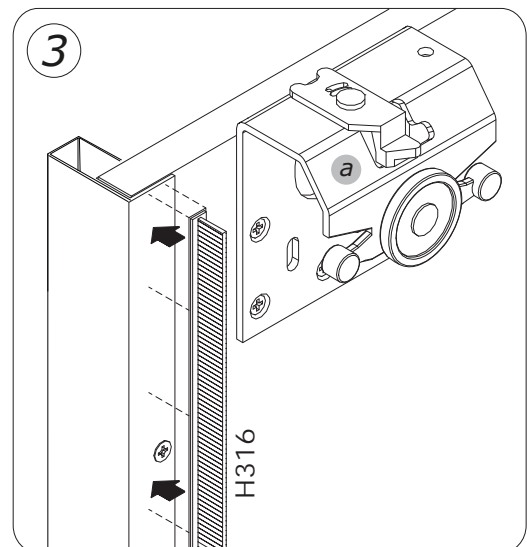
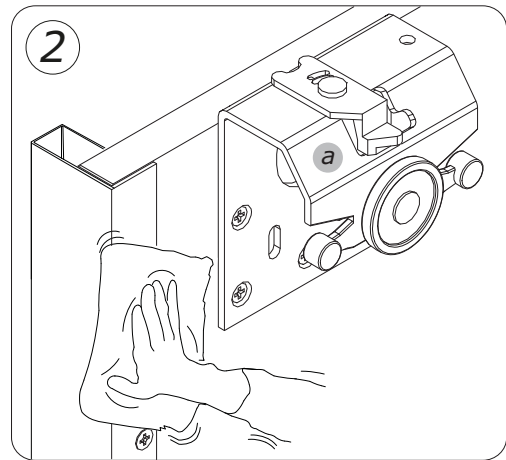
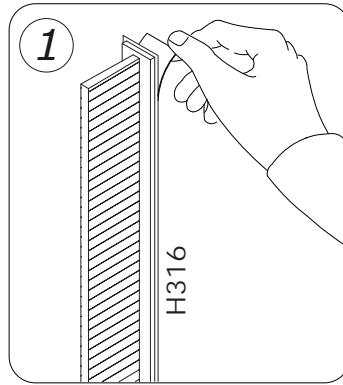
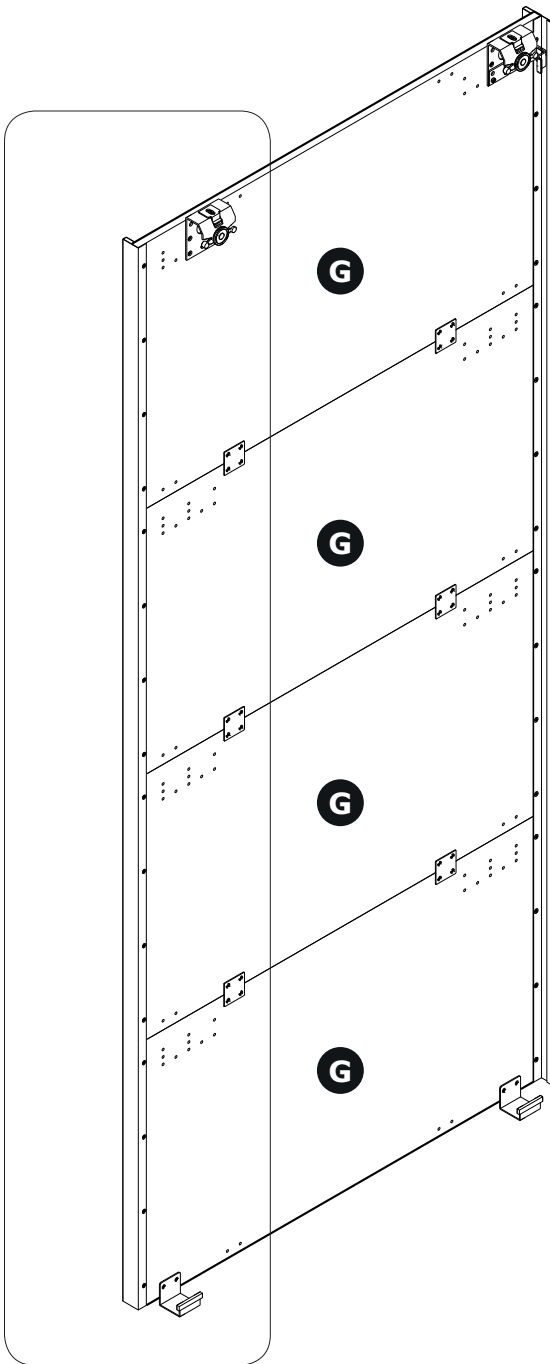


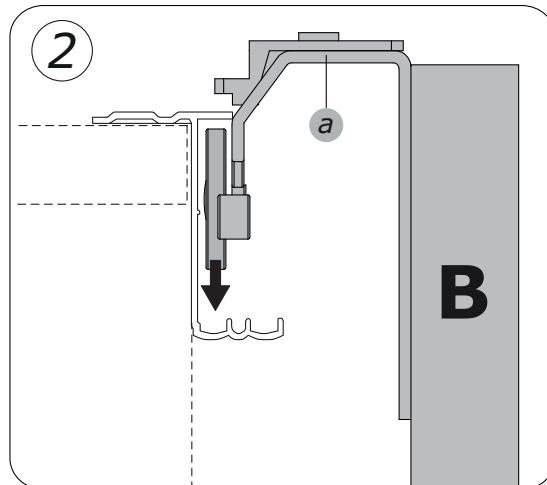
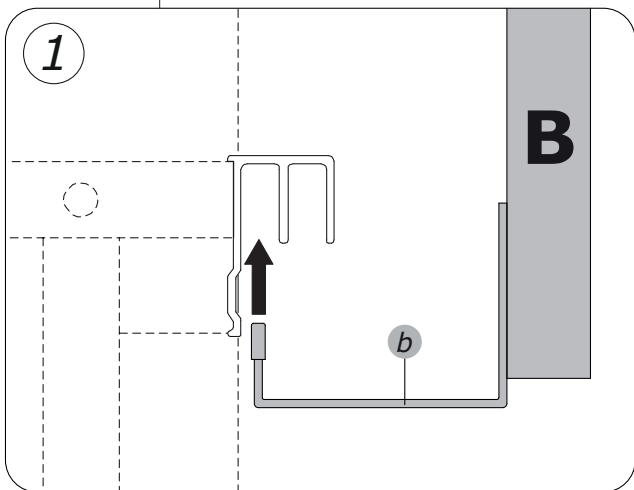
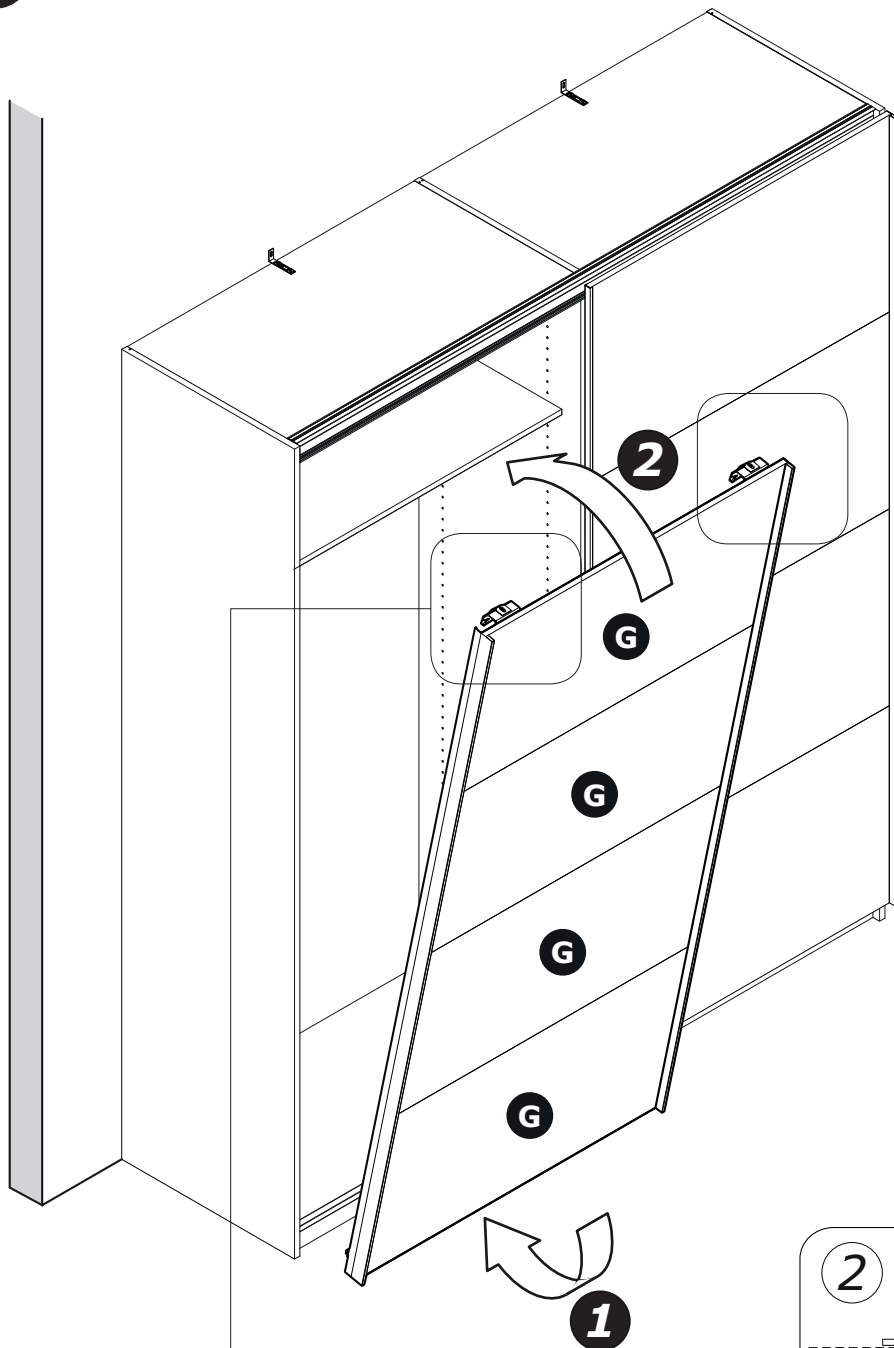


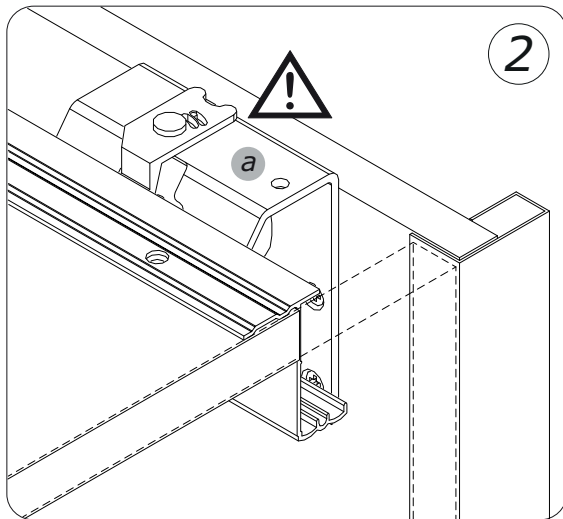
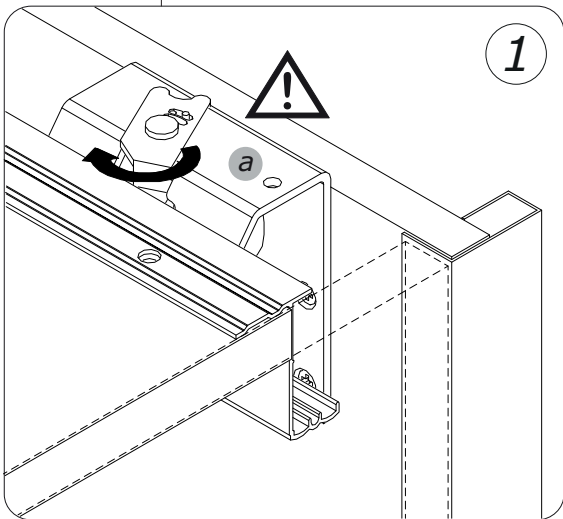
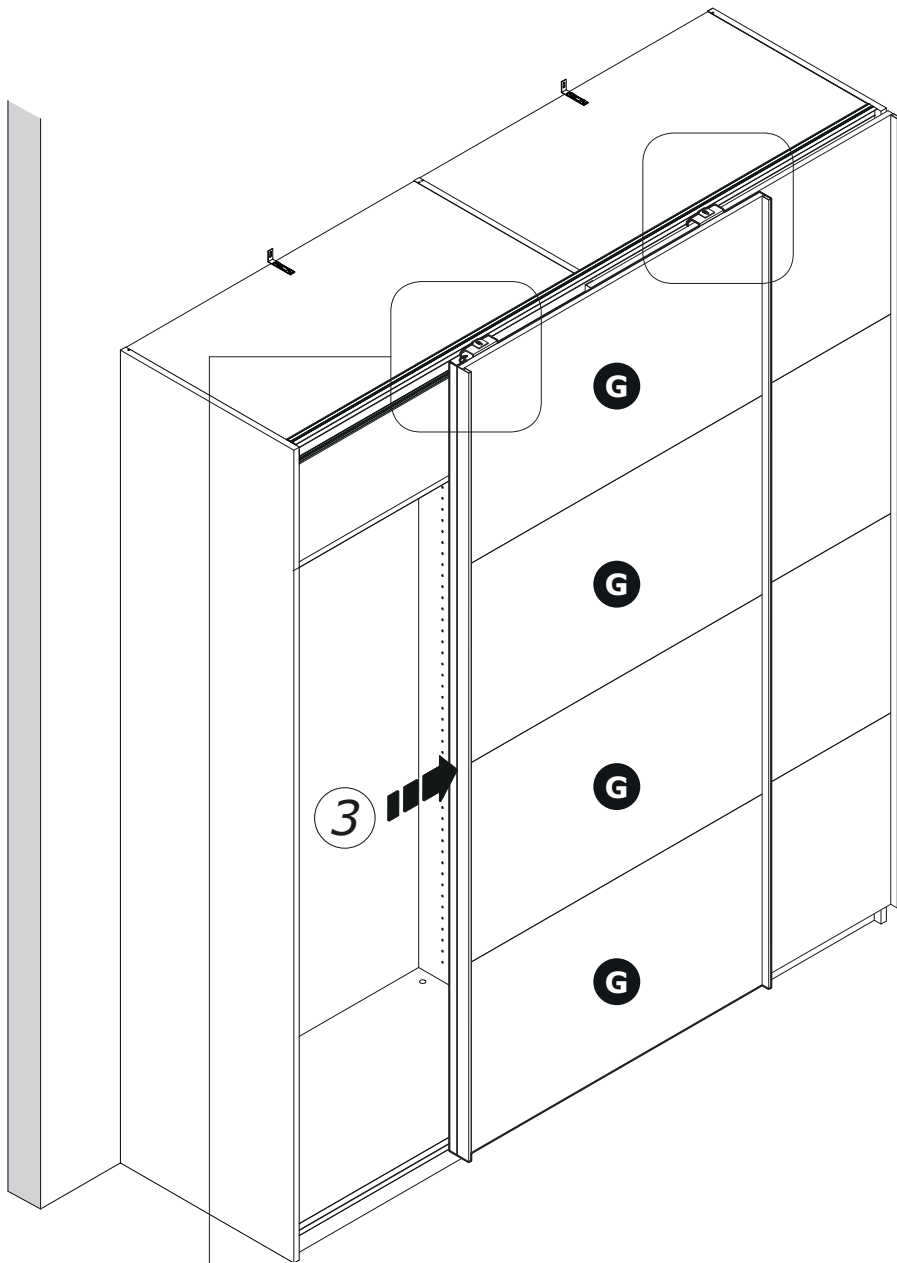
# B

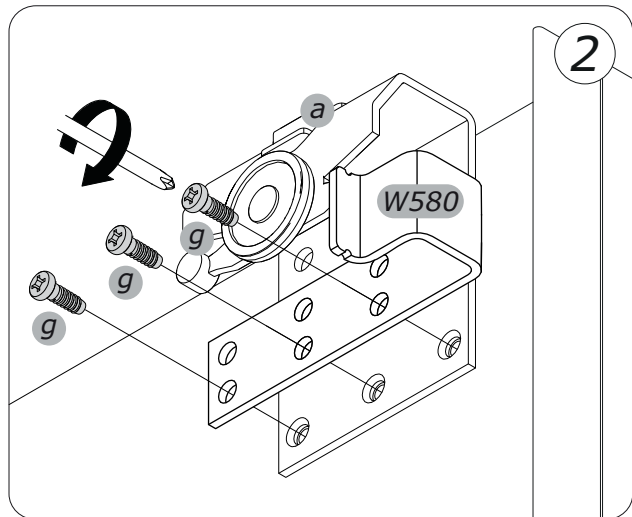
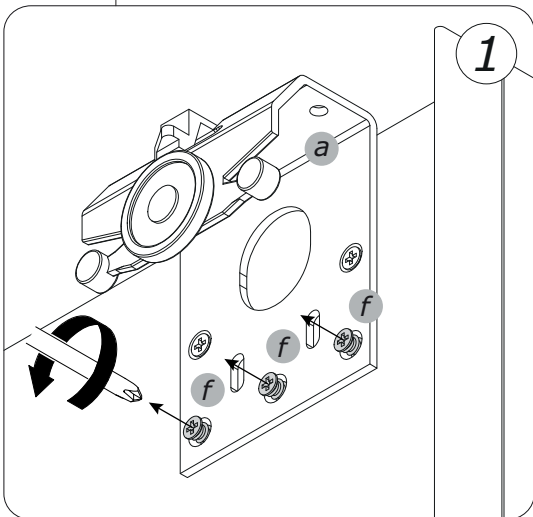
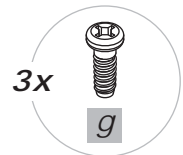
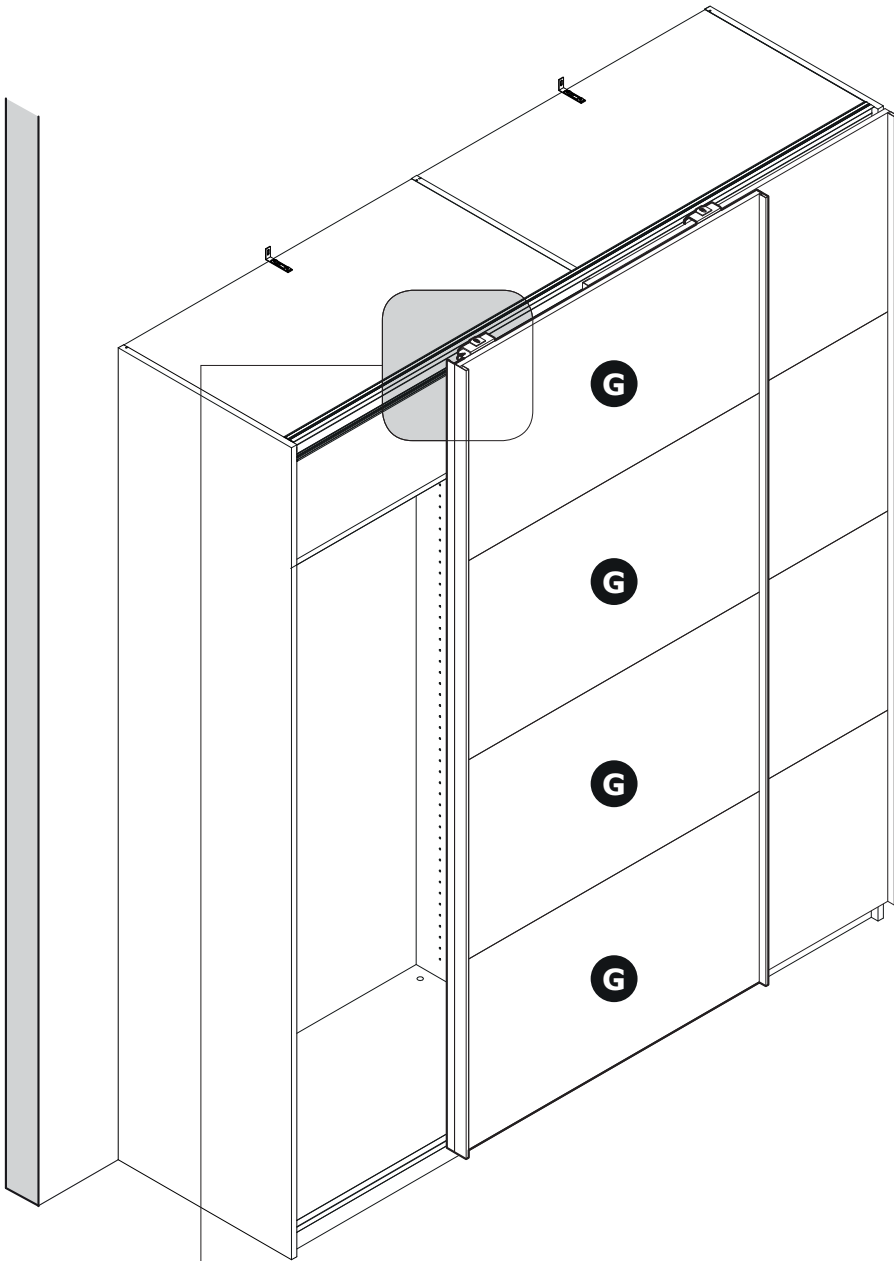
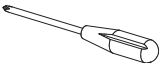


15

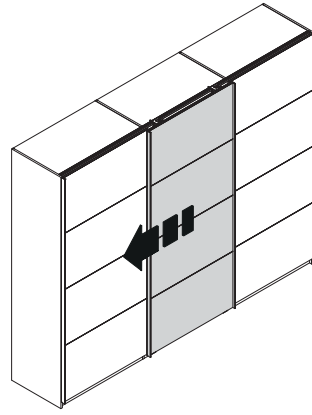
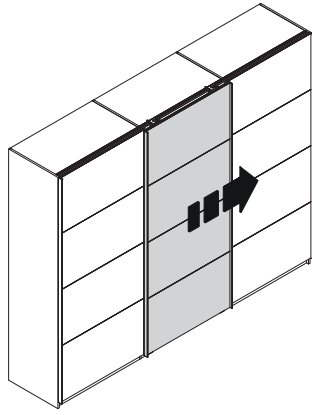




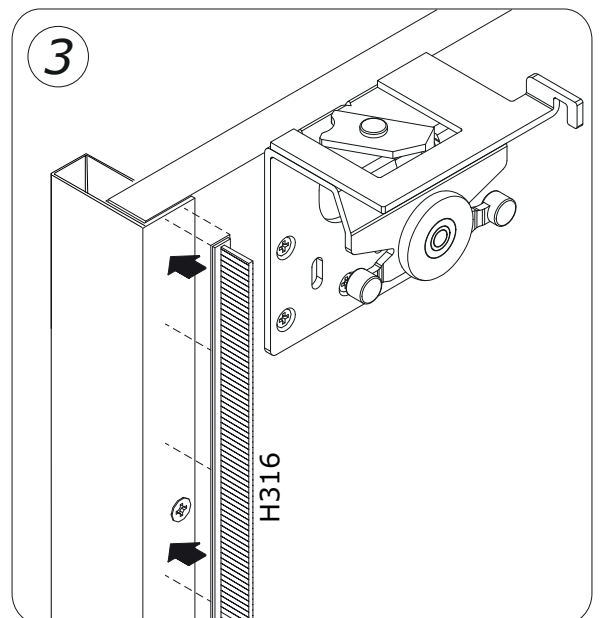
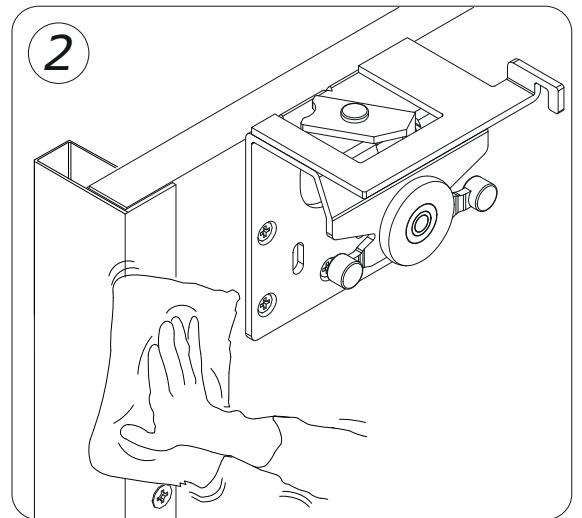
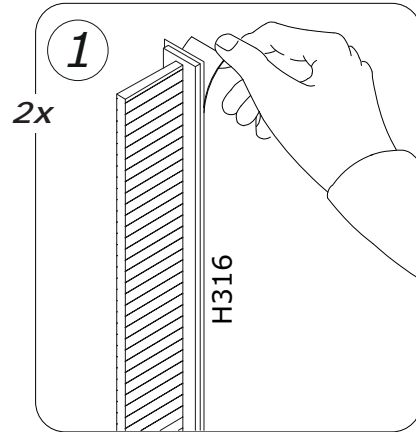
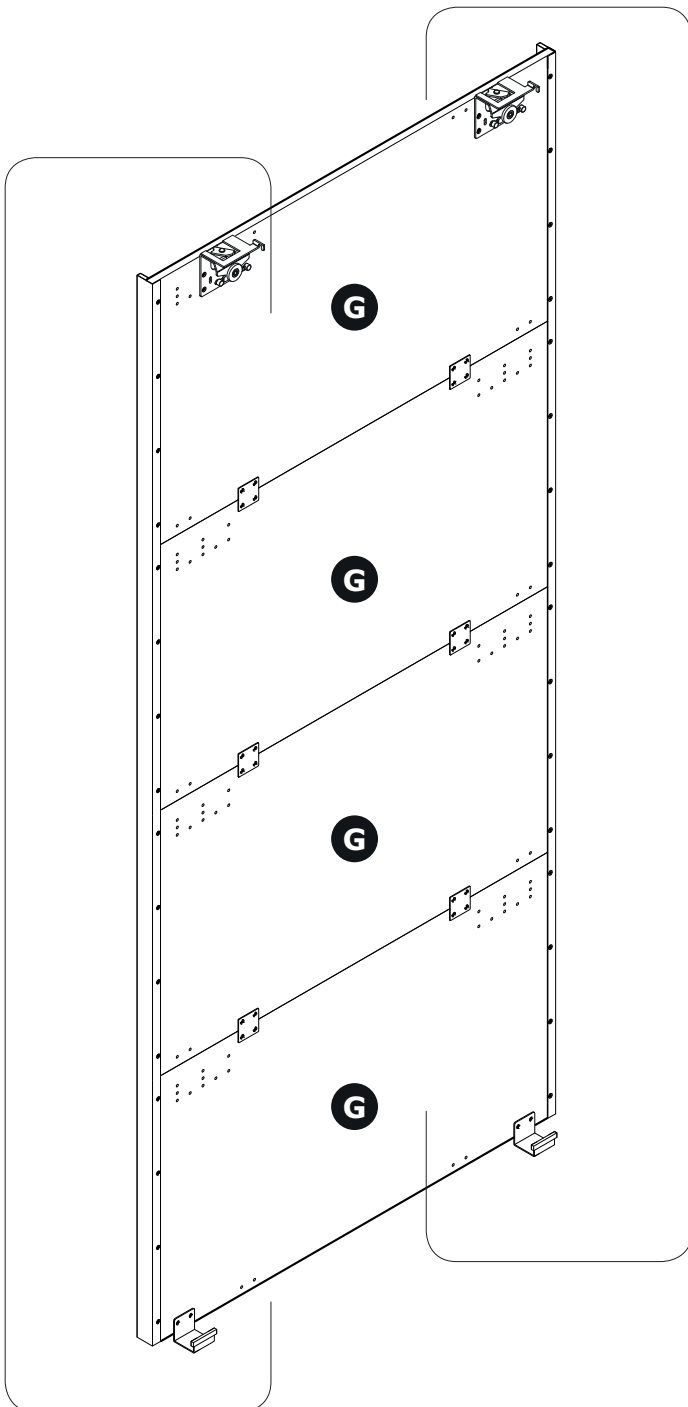


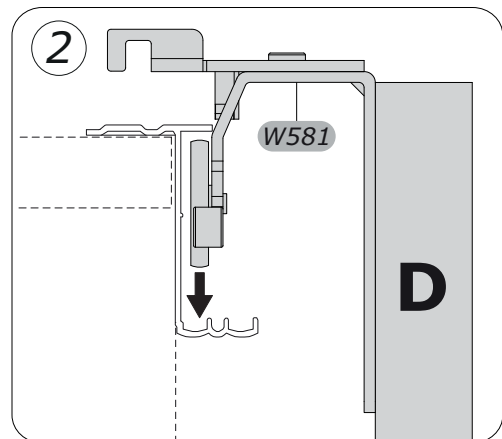
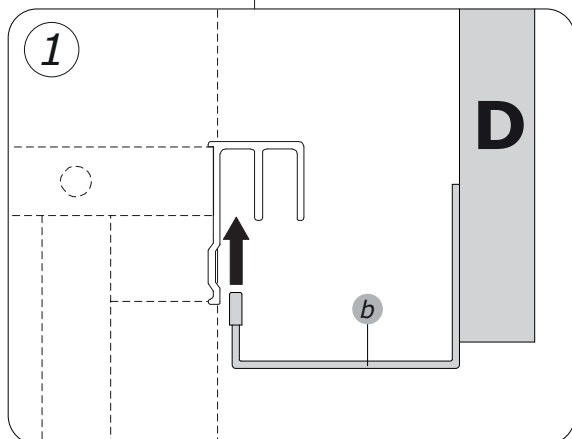
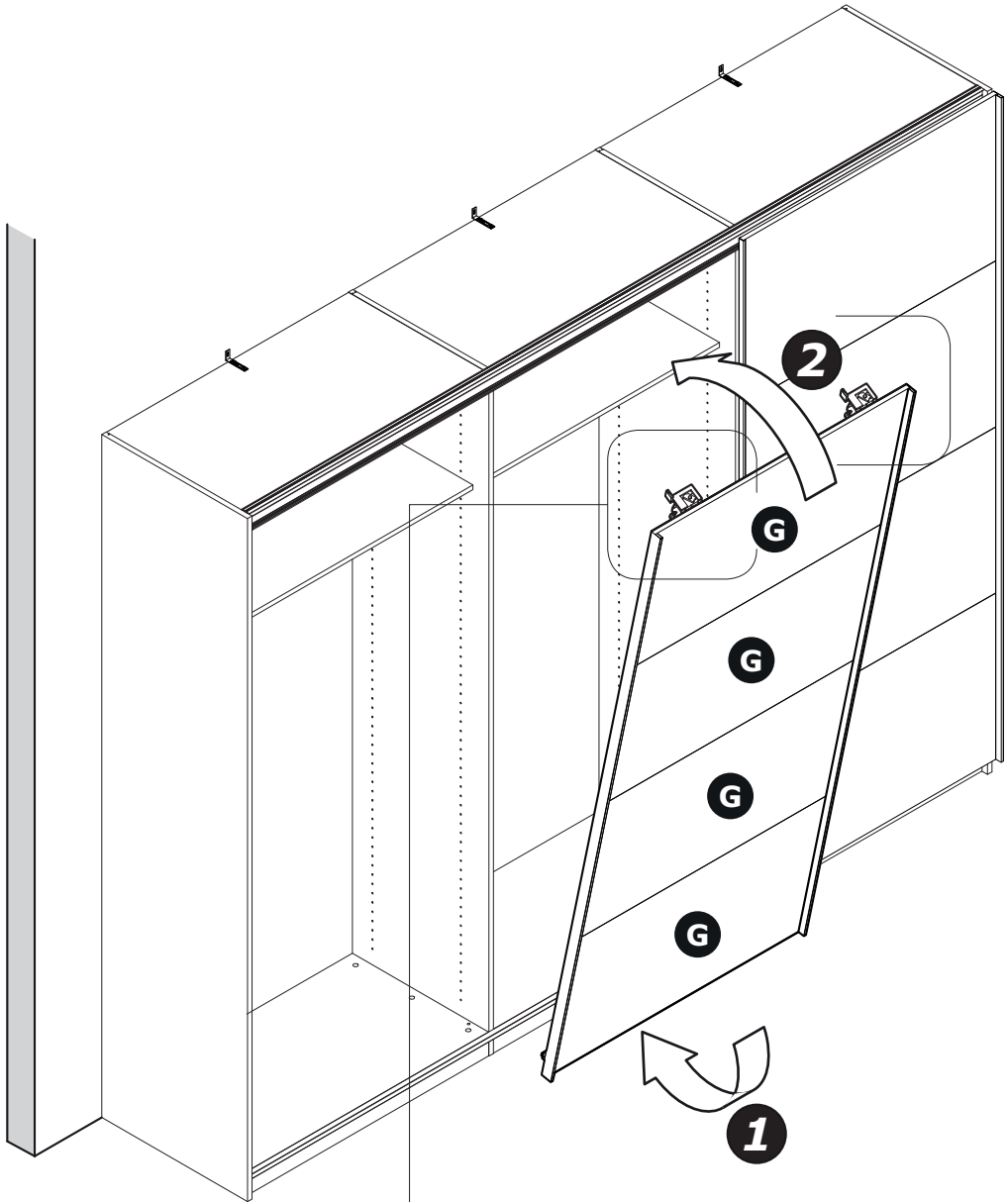


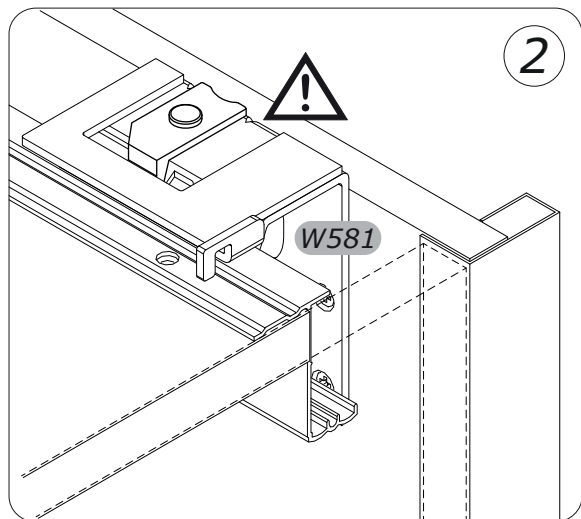
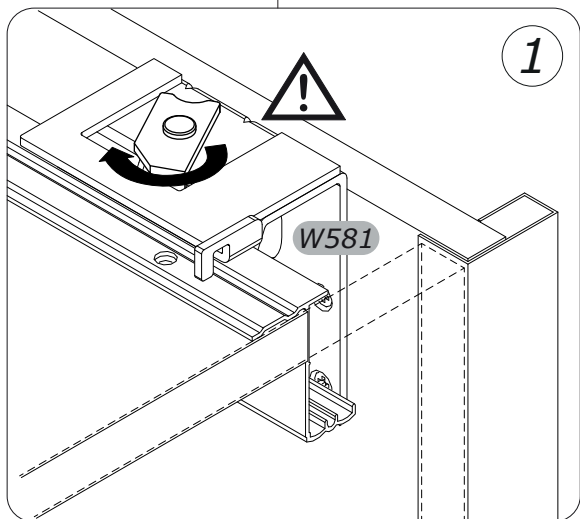
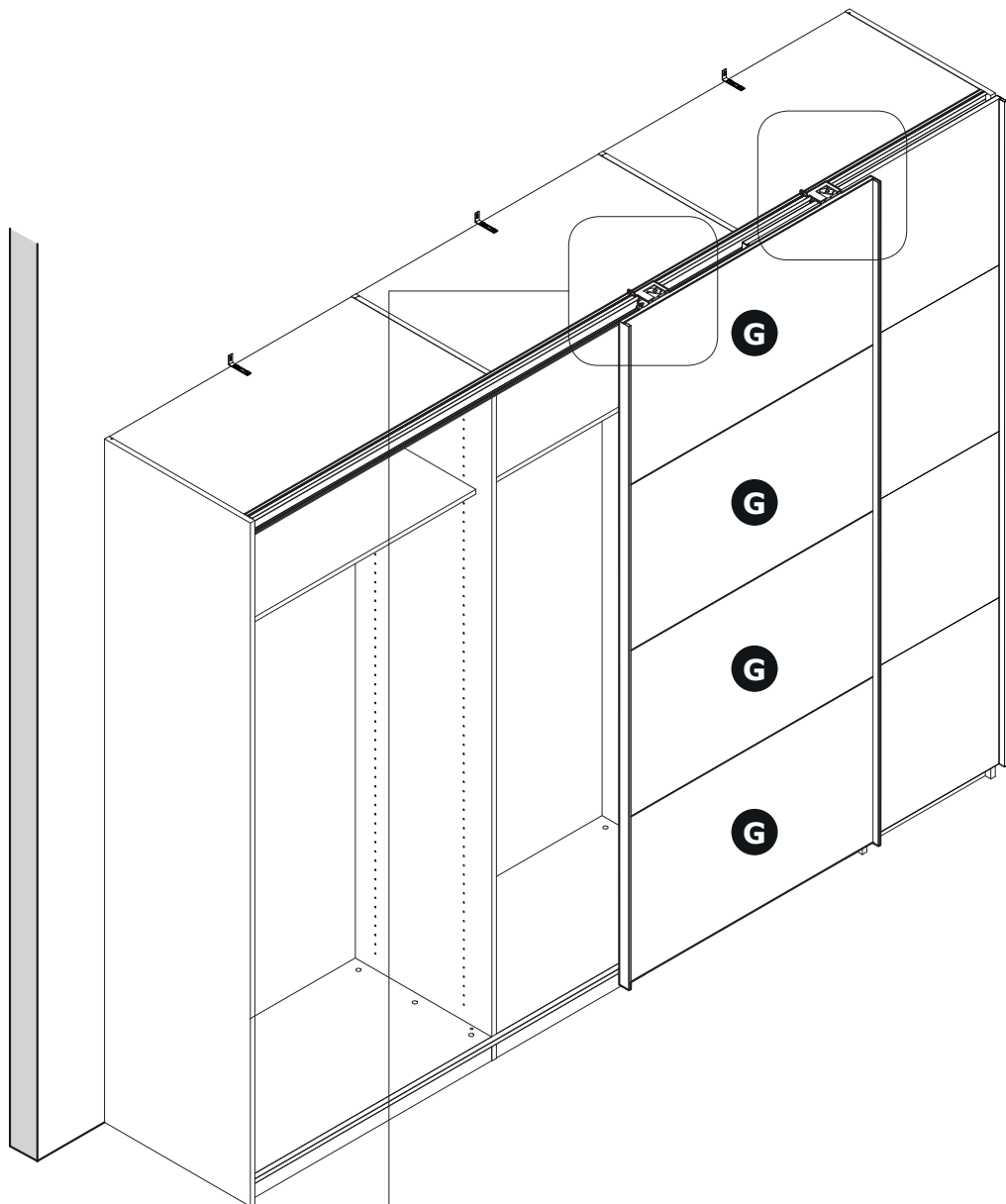
**D**



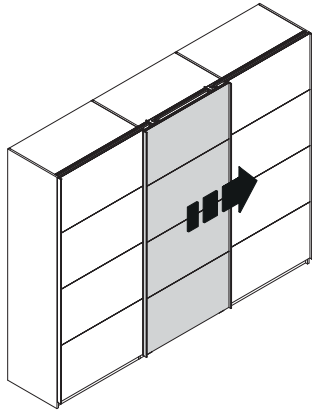
**19**



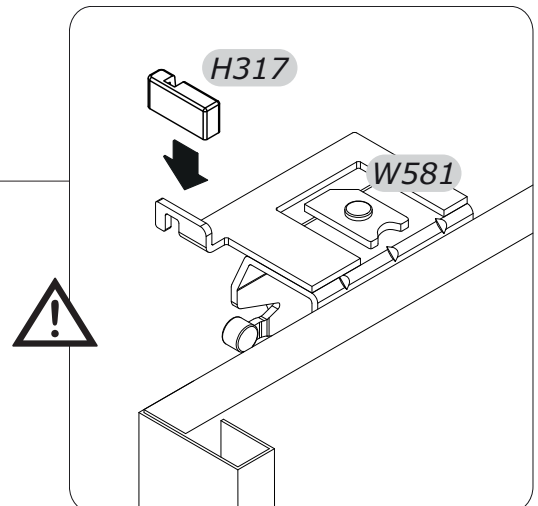
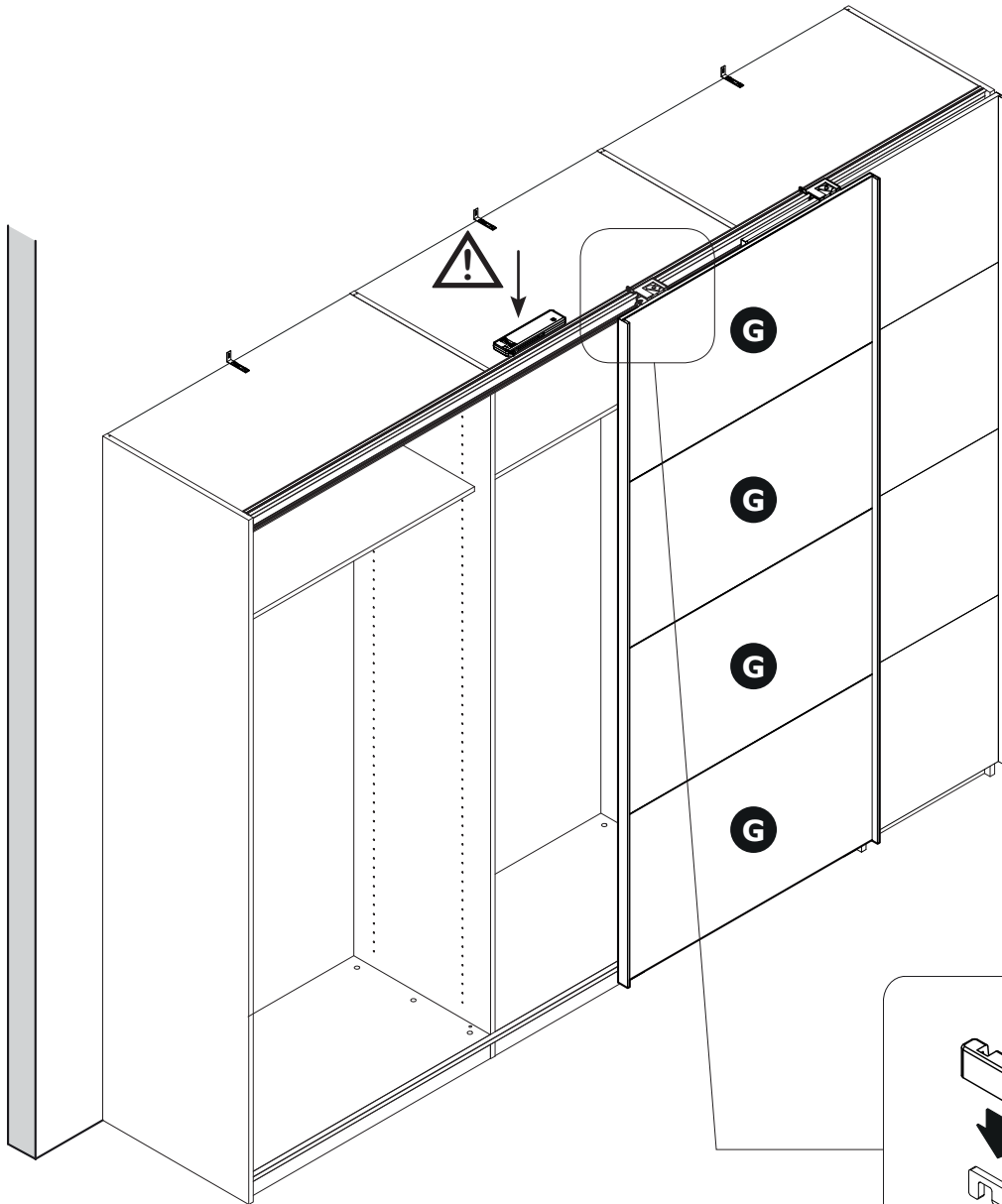




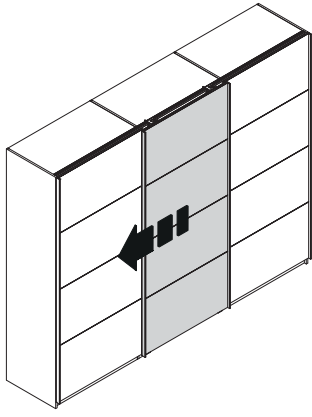
# D1



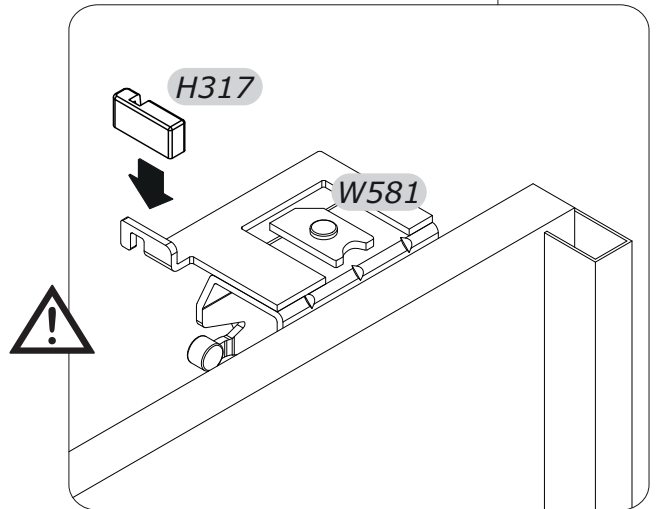
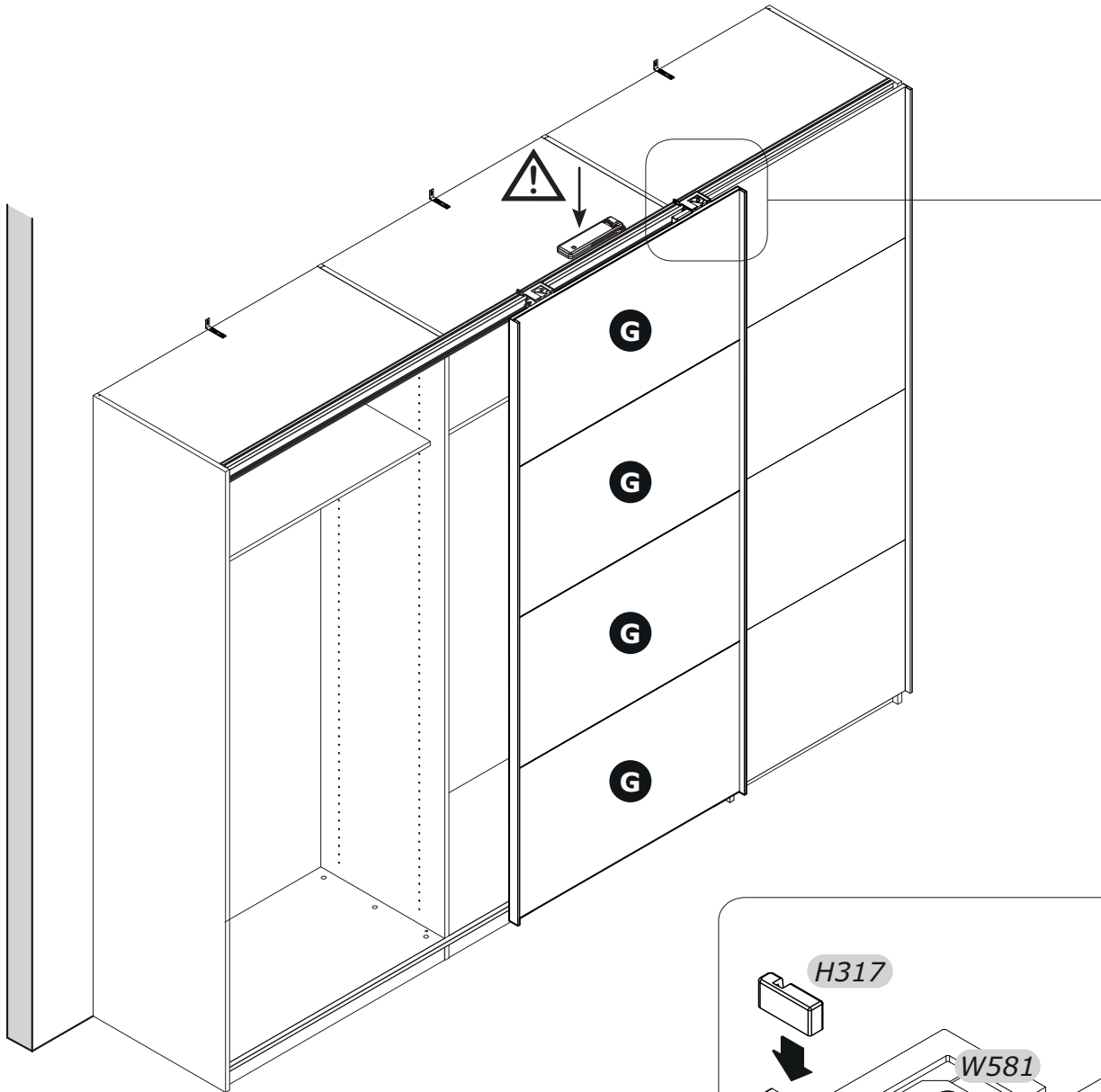
22

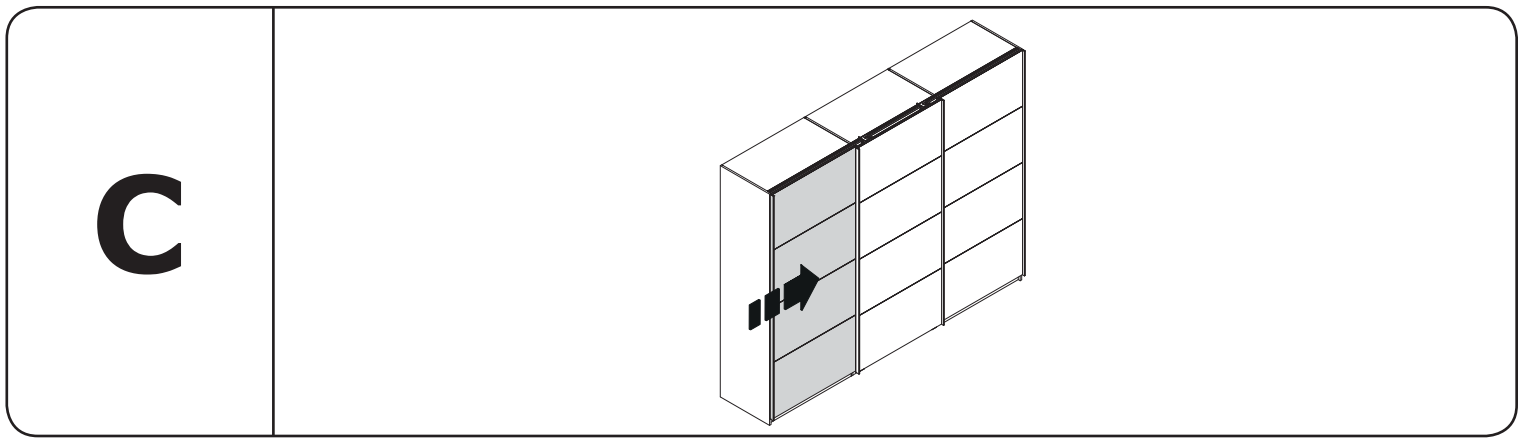


# D2



23





**24**

