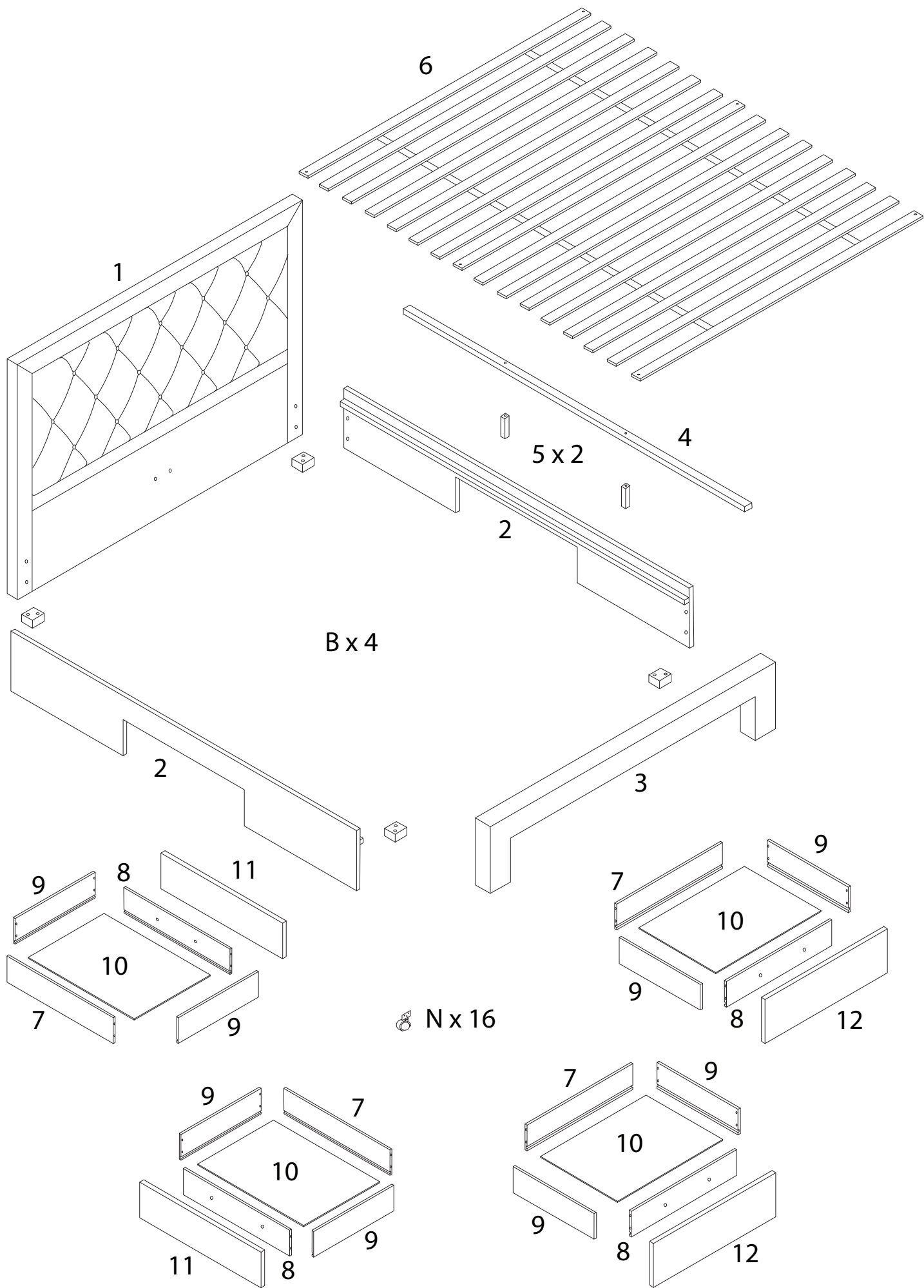
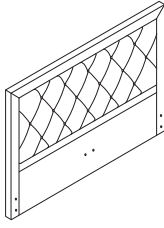


Assembly instructions for step 1/11:

- Tools:** A circle containing a screwdriver and an Allen key. A power drill is shown with a diagonal line through it, indicating it is not to be used.
- Warning:** A triangle with an exclamation mark.
- Time:** A clock icon with the text "90'" below it, indicating a 90-minute assembly time.
- Personnel:** A stick figure icon with the text "2" below it, indicating that two people are required for assembly.

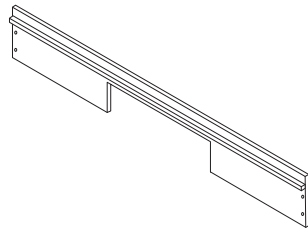


1



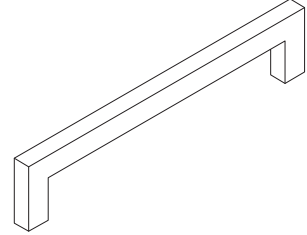
x 1

2



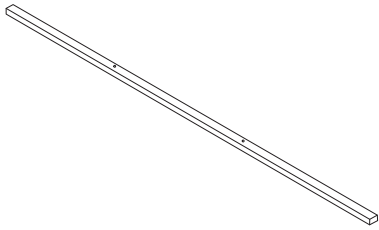
x 2

3



x 1

4



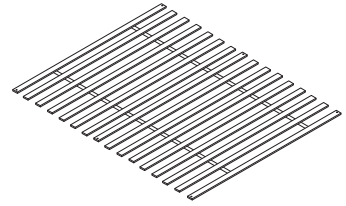
x 1

5



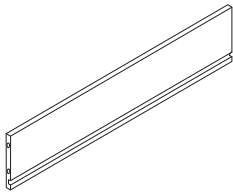
x 2

6



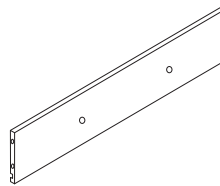
x 1

7



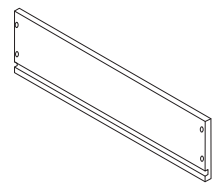
x 4

8



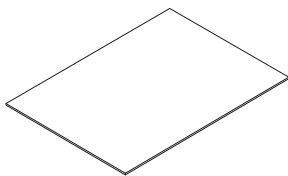
x 4

9



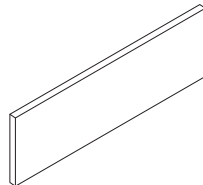
x 8

10



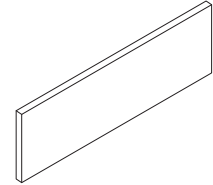
x 4

11



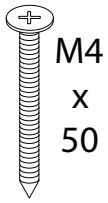
x 2

12



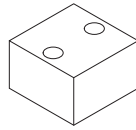
x 2

A



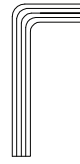
x 8

B



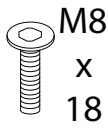
x 4

C



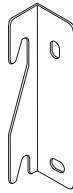
x 1

D



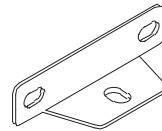
x 20

E



x 4

F



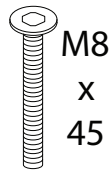
x 2

G



x 2

H



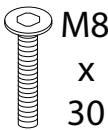
x 2

I



x 6

J



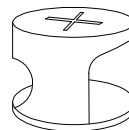
x 8

K



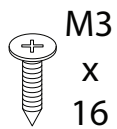
x 32

L



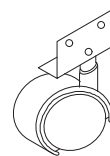
x 32

M



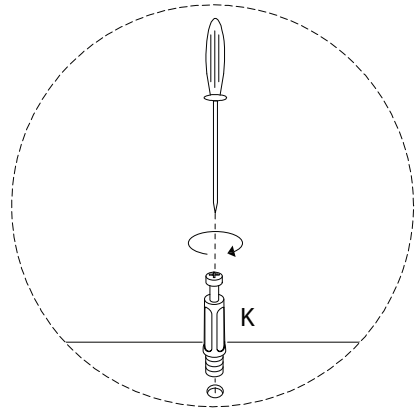
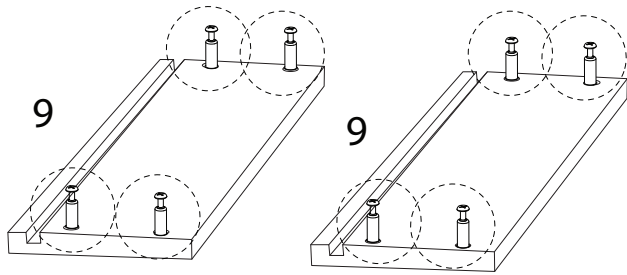
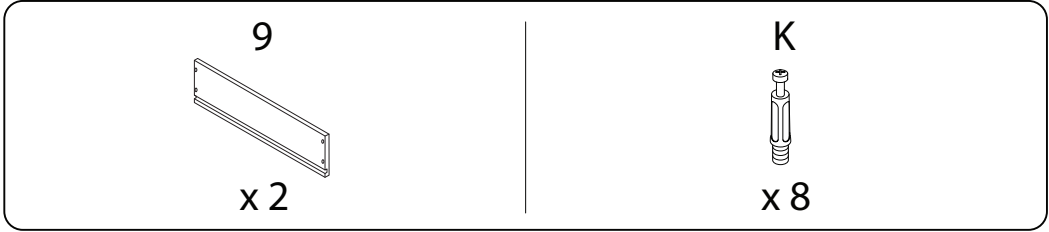
x 48

N

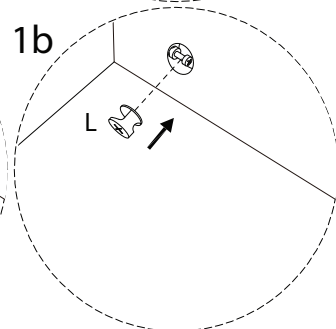
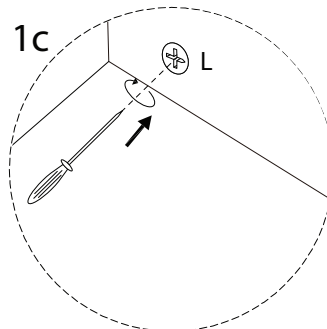
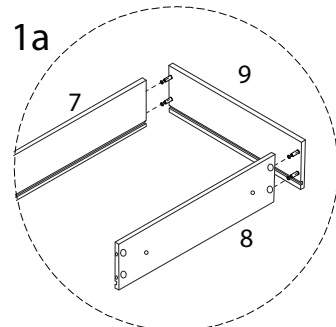
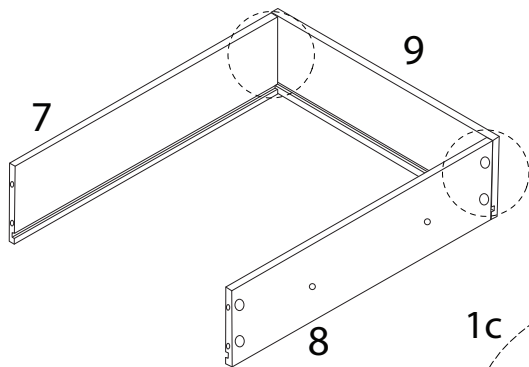
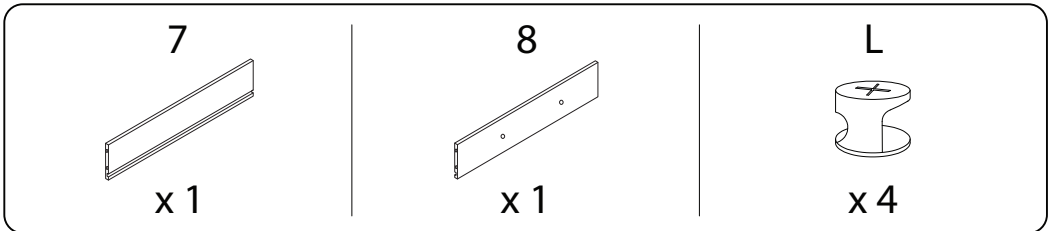


x 16

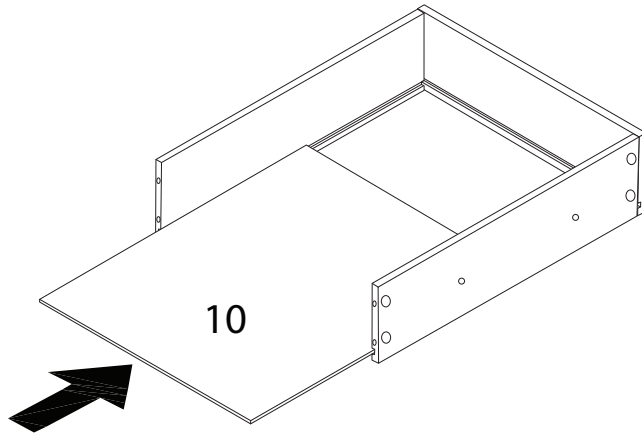
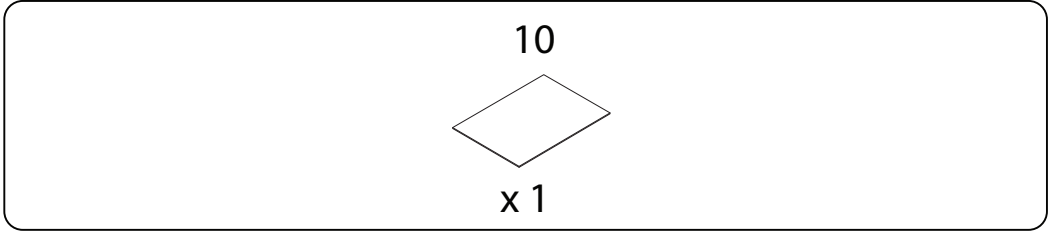
1 x 4



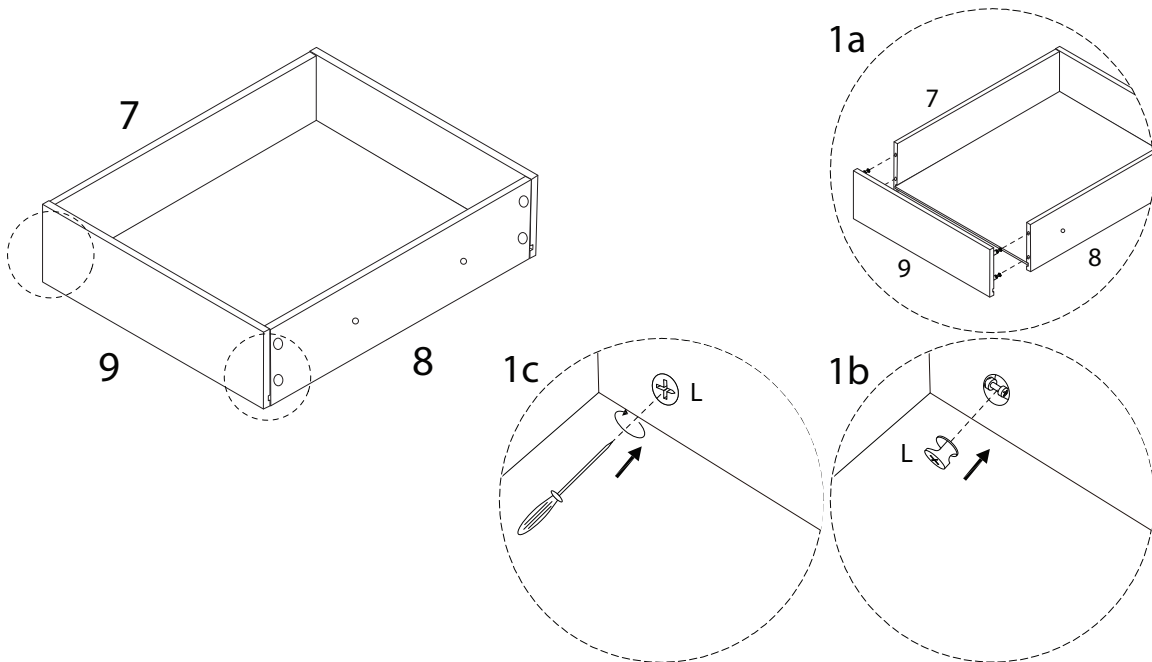
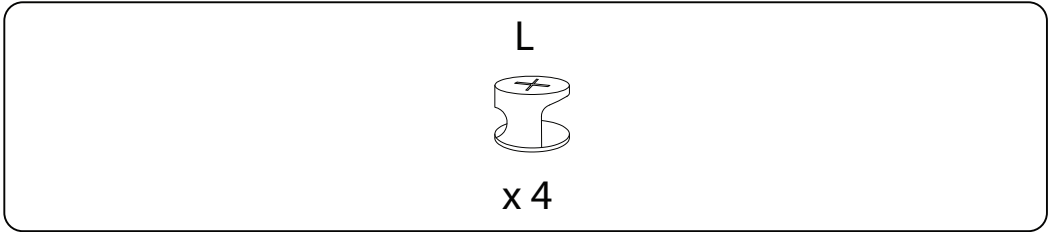
2 x 4



3 x 4



4 x 4



5 x 4

M

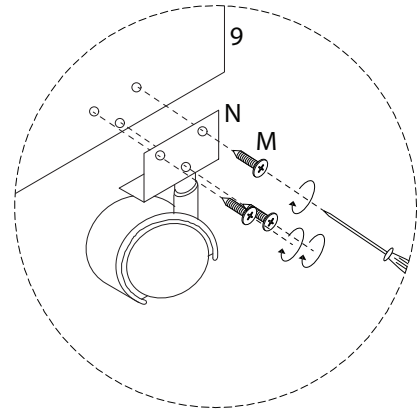
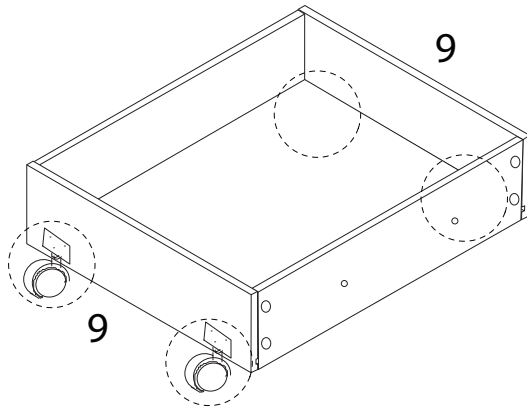


x 12

N

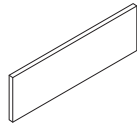


x 4



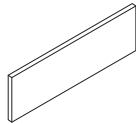
6

11



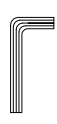
x 2

12



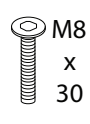
x 2

C

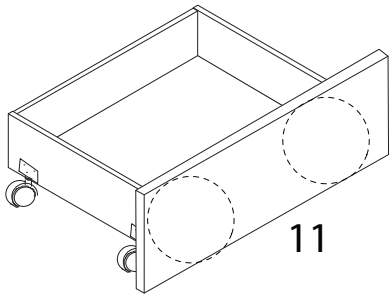


x 1

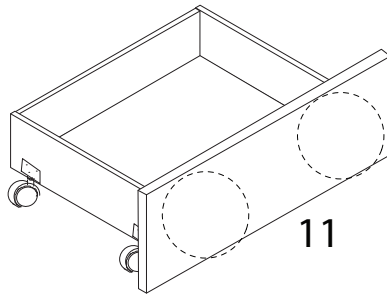
J



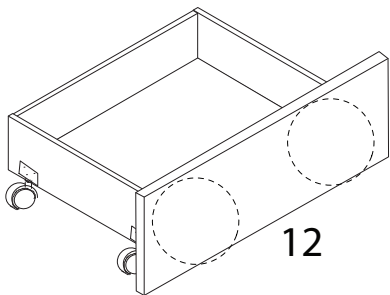
x 8



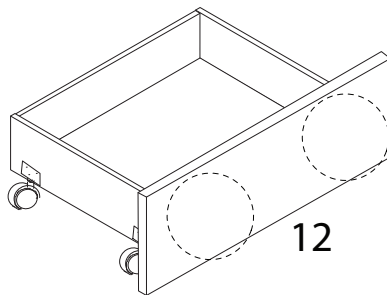
11



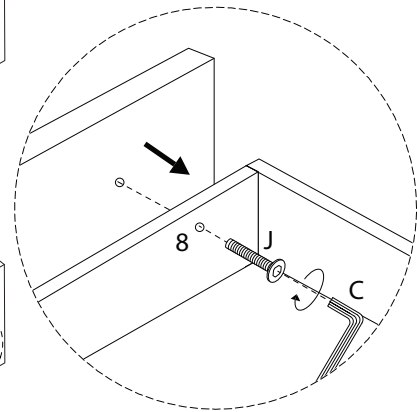
11



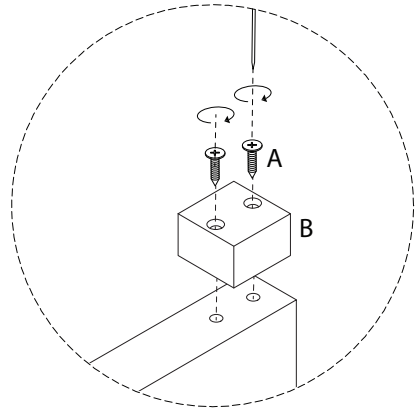
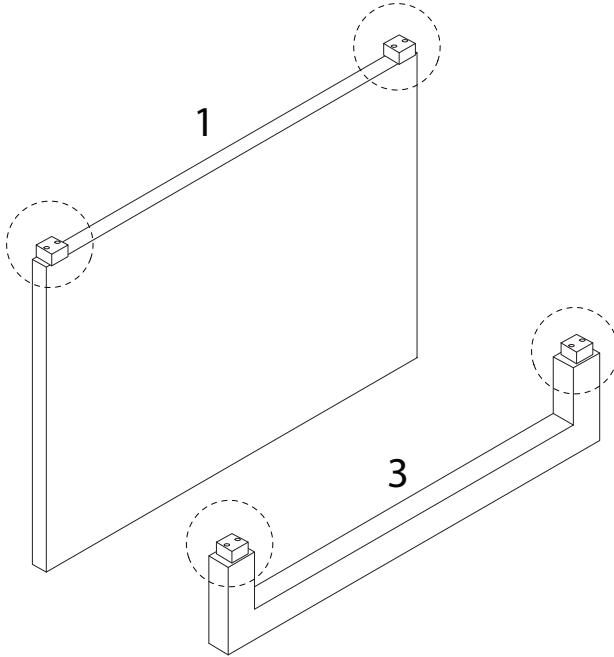
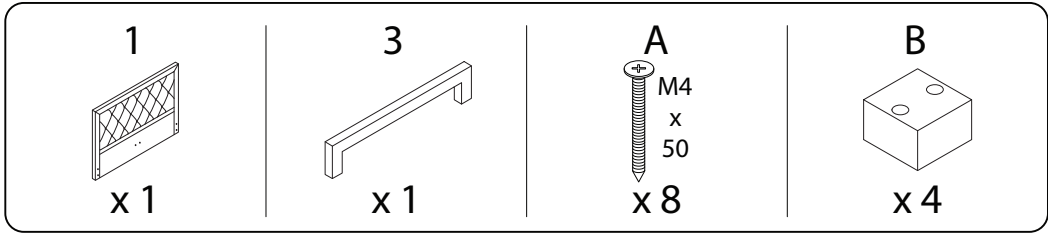
12



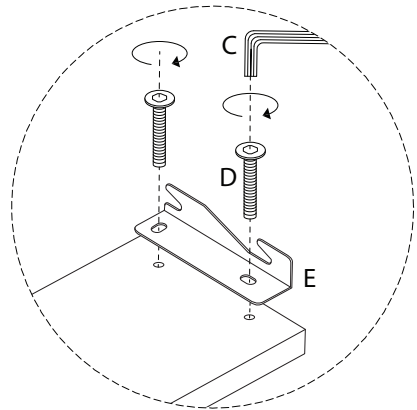
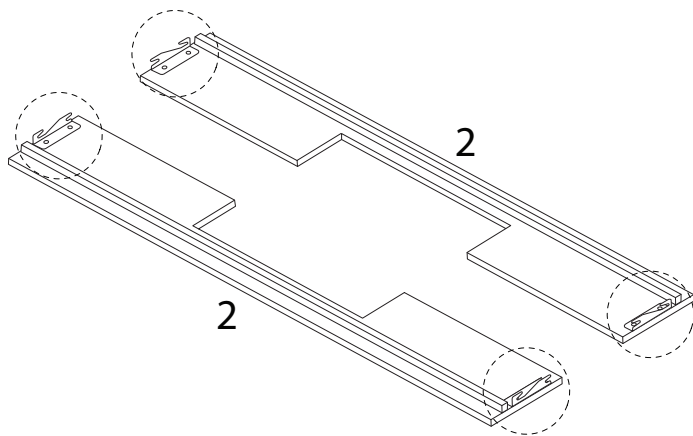
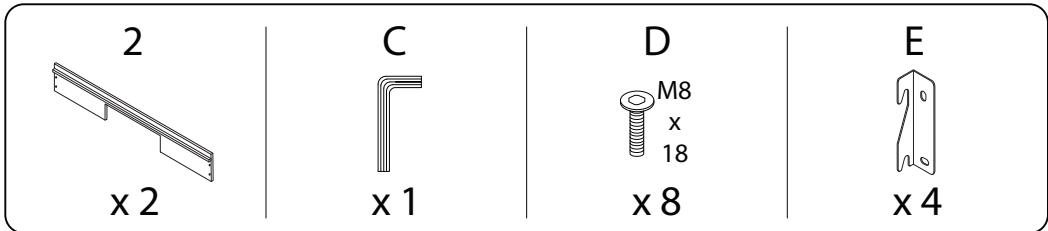
12



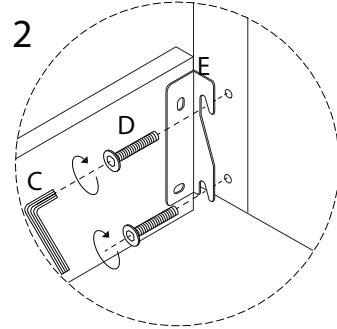
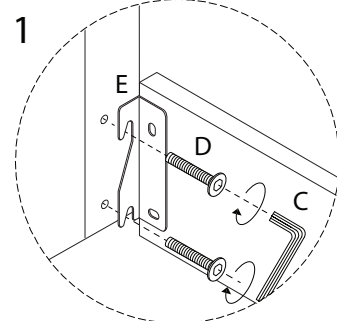
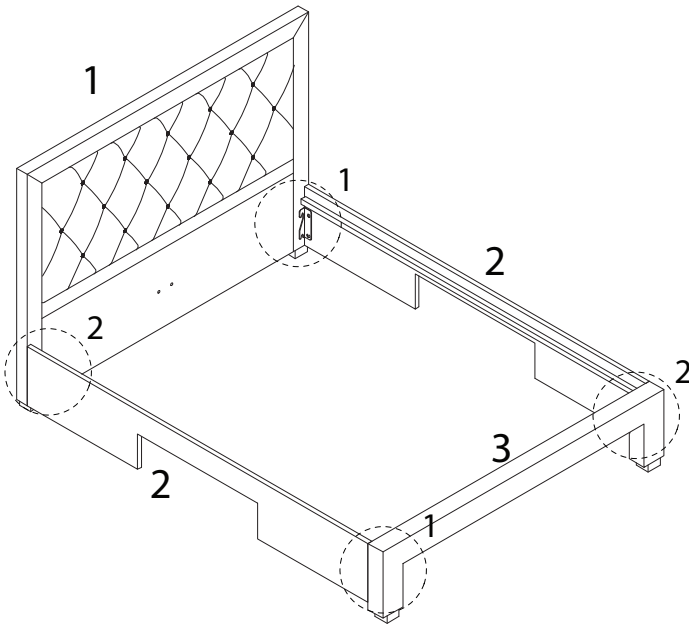
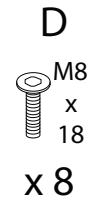
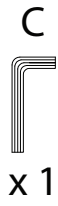
7



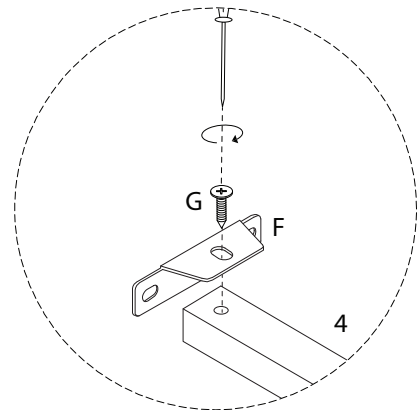
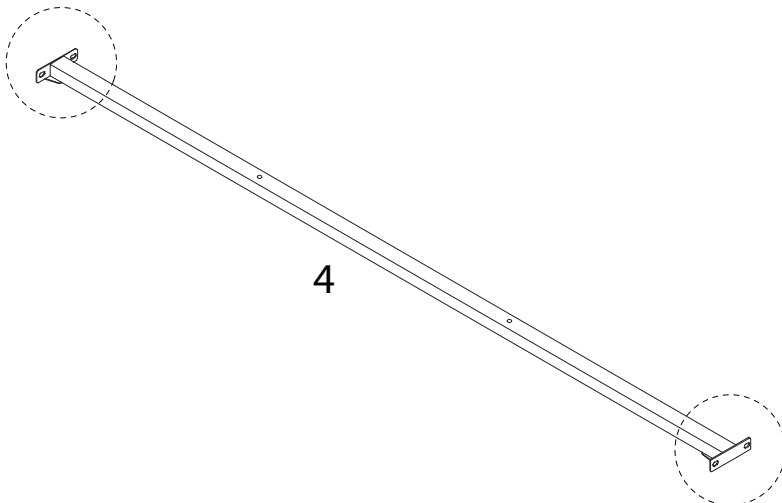
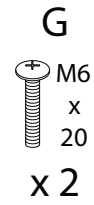
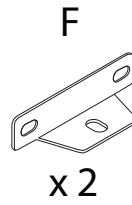
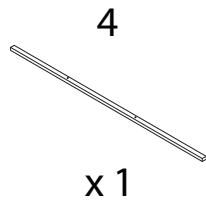
8



9



10



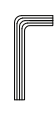
11

5



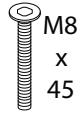
x2

C

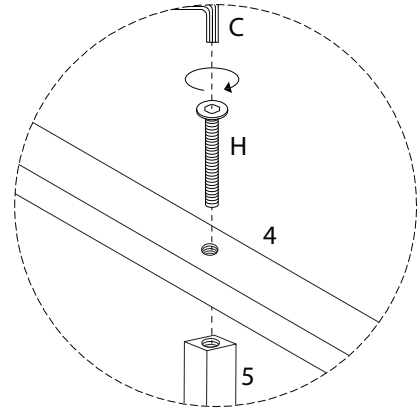
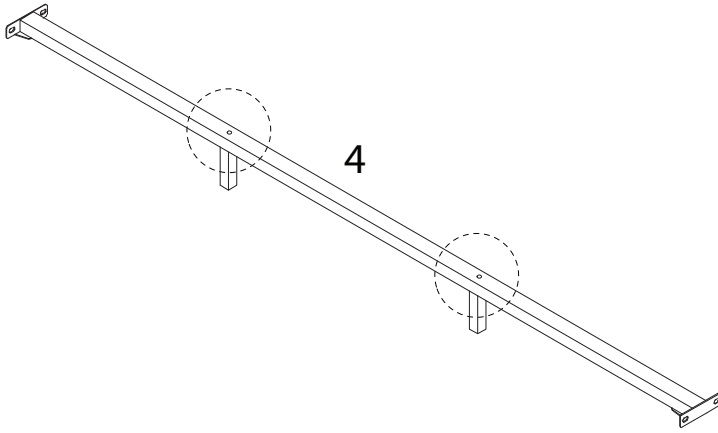


x1

H



x2



12

C

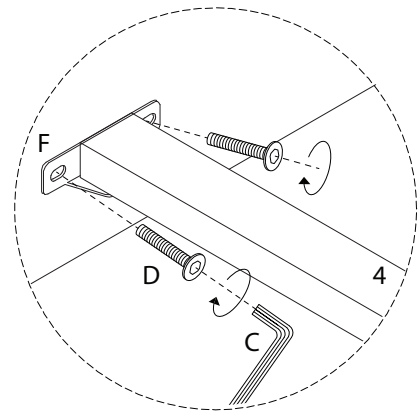
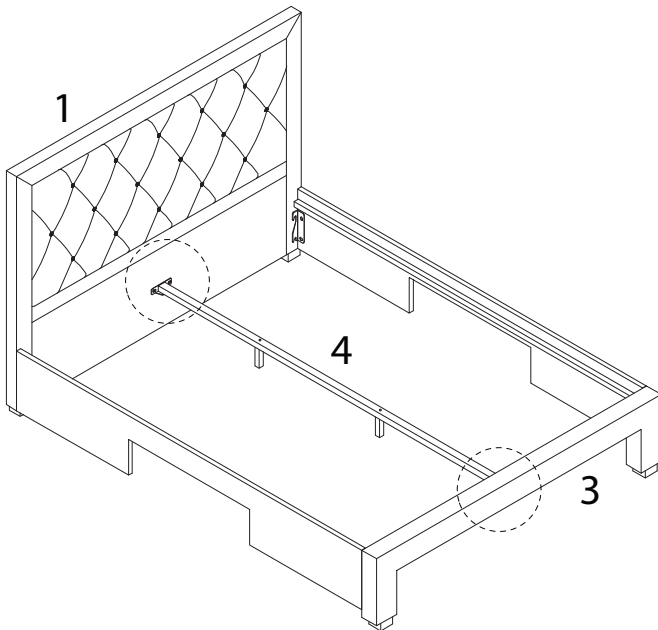


x1

D

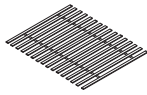


x4



13

6

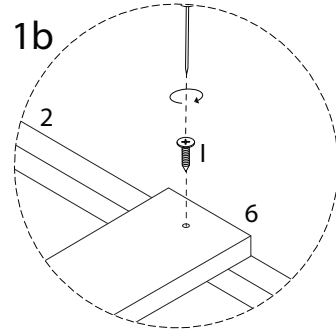
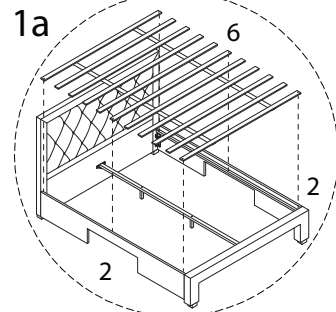
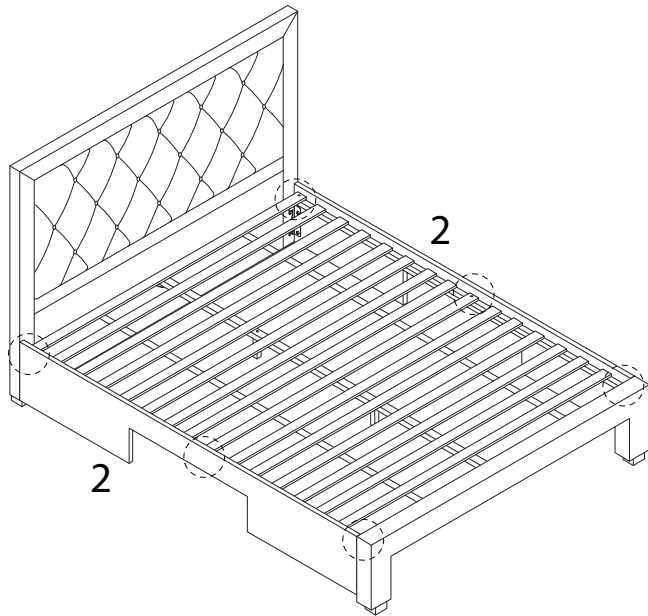


x 1

I



x 6



14

