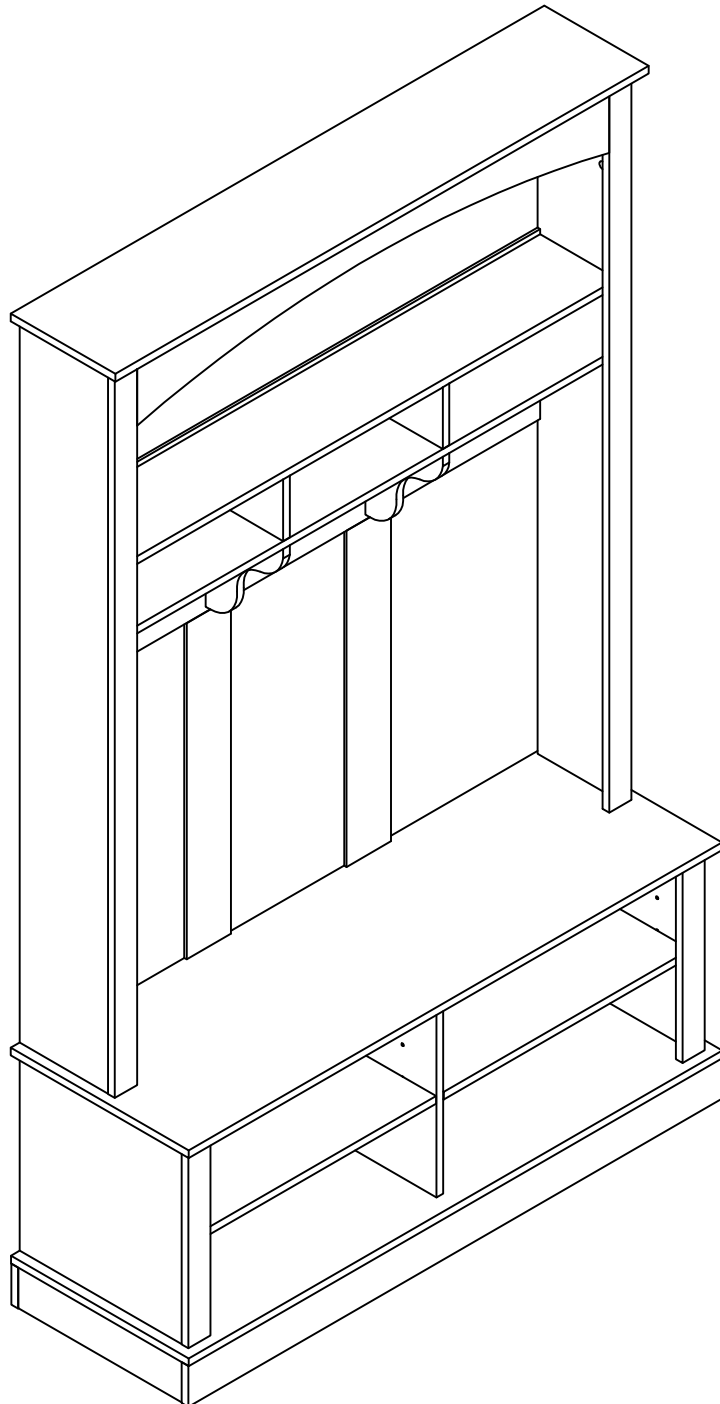


Hall Tree

Assembly Instructions -Please keep for future reference



Dimensions

Width-47.24inch

Depth-15.75inch

Height-76inch

Important -Please read these instructions fully before starting assembly



Safety and Care Advice

Important – Please read these instructions fully before starting assembly

- Check you have all the components and tools listed on the following pages.
- Remove all fittings from the plastic bags and separate them into their groups.
- Keep children and animals away from the work area, small parts could choke if swallowed.
- Make sure you have enough space to layout the parts before starting.

- During assembly do not stand or put weight on the product, this could cause damage.
- Assemble the item as close to its final position (in the same room) as possible.
- Assemble on a soft level surface to avoid damaging the unit or your floor.
- Parts of the assembly will be easier with 2 people.



power drill is set on a low torque setting.

- To reduce the likelihood of damaging your product please ensure that your

Care and maintenance

- Only clean using a damp cloth and mild detergent, do not use bleach or abrasive cleaners.
- From time to time check that there are no loose screws on this unit.
- This product should not be discarded with household waste. Take to your local authority waste disposal centre.

Handy Hints

- Assemble all parts and bolts loosely during assembly, only once the product is complete should you fully tighten the bolts
- Regularly check and ensure That all bolts and fittings are tightened properly.

WARNING
In order to help prevent overturning – please follow these instructions

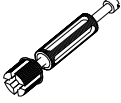

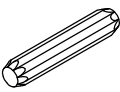



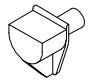
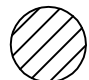
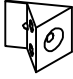

To help prevent product toppling over please follow the below steps:-

- Use the anti tip stap or wall fixing method provided (if applicable)
- Do not allow children to climb or hang on the furniture
- Do not open more than one drawer at a time
- Do not place heavy items in the top drawers
- Do not place heavy items on top of the furniture, unless the furniture has been designed for this purpose

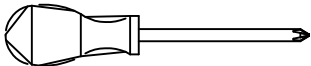
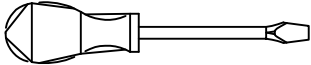
Components -Fittings

Please check you have all the panels listed below

Note: The quantities below are the correct amount to complete the assembly. In some cases more fittings may be supplied than are required.

<p>(A) </p> <p>Cam Bolt x 69</p>	<p>(B) </p> <p>Cam lock x 69</p>	<p>(C) </p> <p>Dowel x 42</p>	<p>(D) </p> <p>3.5*14mm Screw x 6</p>
<p>(E) </p> <p>7*50mm Screw x 10</p>	<p>(F) </p> <p>Clothes hook x 3</p>	<p>(G) </p> <p>Movable partition bracket x 8</p>	<p>(H) </p> <p>Sticker Cover x 42</p>
<p>(I) </p> <p>Back plate clamp x 14</p>	<p>(J) </p> <p>3*12mm Screw x 14</p>		

Tools required

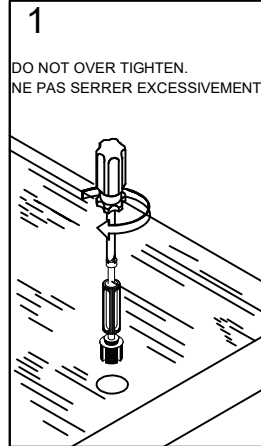


Phillips screwdriver
(medium & large)

Using Camlocks

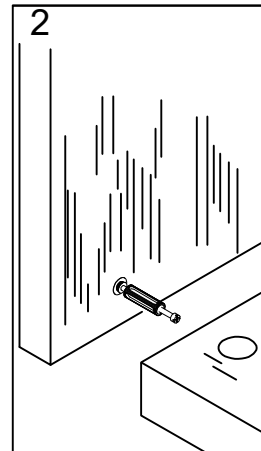
Step 1

Connect the male camlock as directed in the assembly instructions using a screwdriver.



Step 2

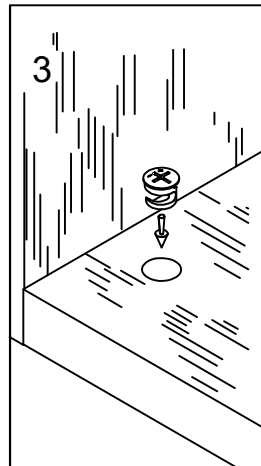
Push the male camlock into the entry hole.



Step 3

Insert the female camlock as shown in the instruction.

Note: ensure that the arrow on the top of the camlock points towards the entry hole for the male camlock.

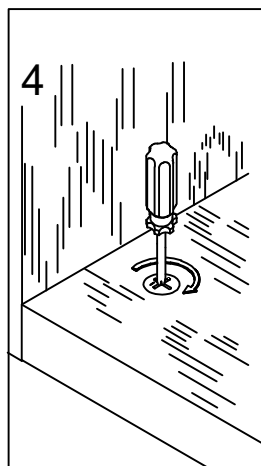


Step 4

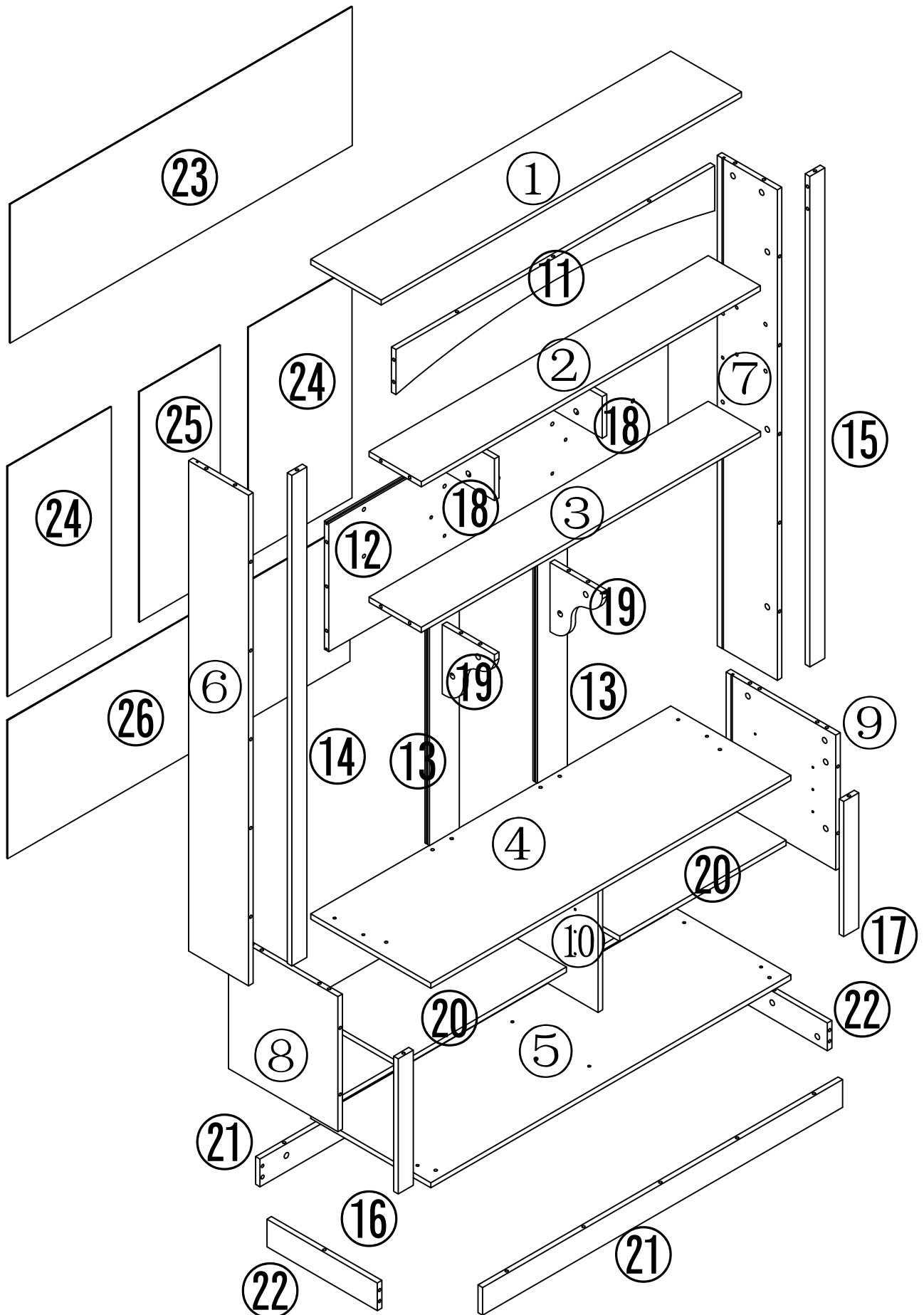
Turn the female camlock clockwise with a screwdriver.

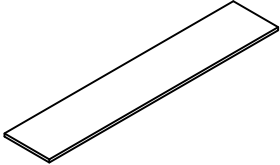
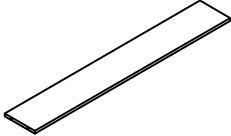
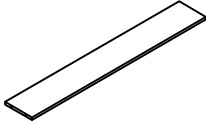
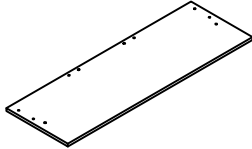
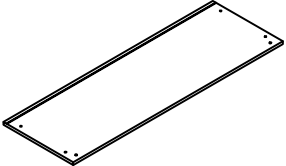


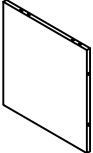
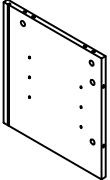
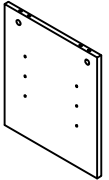
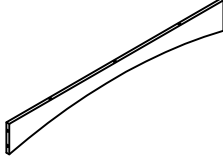
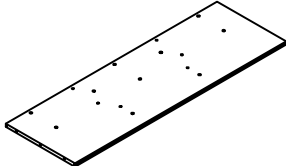





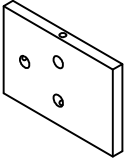
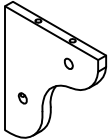
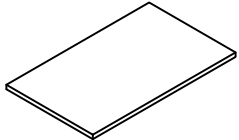
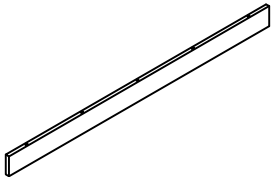
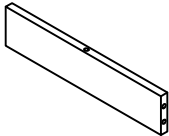
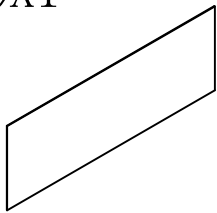
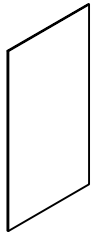
You should feel a click when the camlock is locked in place.

The joint is now secure.

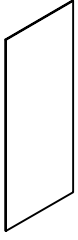


Assembly Instructions



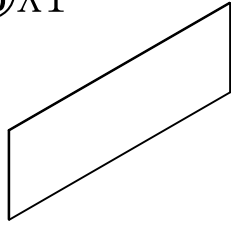
<p>①X1</p>  <p>1200*235*15mm</p>	<p>②X1</p>  <p>1130*175*15mm</p>	<p>③X1</p>  <p>1130*175*15mm</p>	<p>④X1</p>  <p>1200*400*15mm</p>
<p>⑤X1</p>  <p>1200*400*15mm</p>	<p>⑥X1</p>  <p>1415*200*15mm</p>	<p>⑦X1</p>  <p>1415*200*15mm</p>	<p>⑧X1</p>  <p>390*365*15mm</p>
<p>⑨X1</p>  <p>390*365*15mm</p>	<p>⑩X1</p>  <p>390*345*15mm</p>	<p>⑪X1</p>  <p>1062*130*15mm</p>	<p>⑫X1</p>  <p>1130*370*15mm</p>
<p>⑬X2</p>  <p>755*100*15mm</p>	<p>⑭X1</p>  <p>1415*50*15mm</p>	<p>⑮X1</p>  <p>1415*50*15mm</p>	<p>⑯X1</p>  <p>390*50*15mm</p>
<p>⑰X1</p>  <p>390*50*15</p>	<p>⑱X2</p>  <p>174*120*15</p>	<p>⑲X2</p>  <p>174*200*15mm</p>	<p>⑳X2</p>  <p>544*335*15mm</p>
<p>㉑X2</p>  <p>1200*80*15mm</p>	<p>㉒X2</p>  <p>368*80*15mm</p>	<p>㉓X1</p>  <p>1140*300*3mm</p>	<p>㉔X2</p>  <p>764*345*3mm</p>

②⑤X1



764*270*3mm

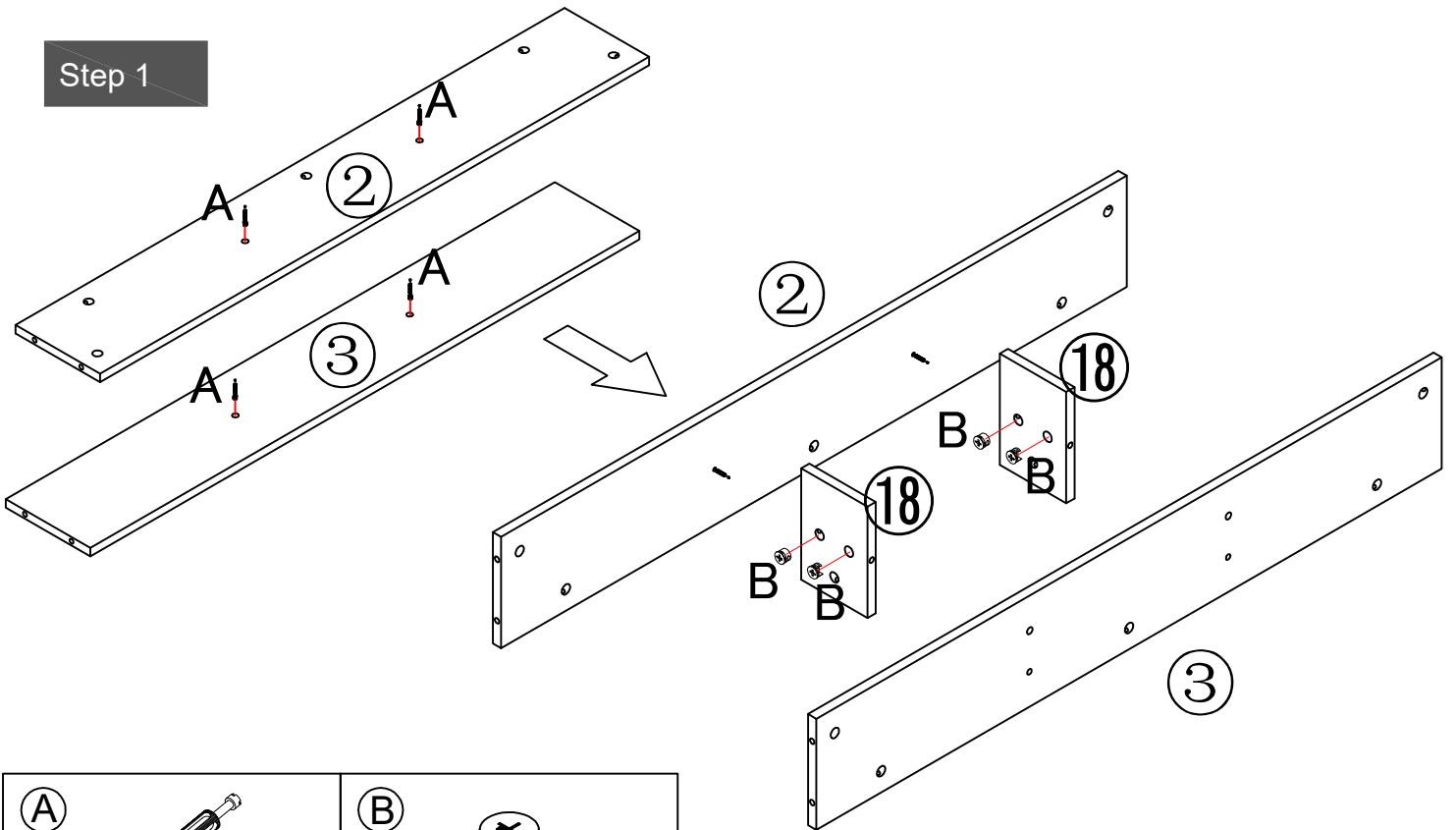
②⑥X1



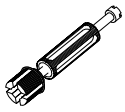
1140*399*3mm

Assembly Instructions

Step 1



(A)



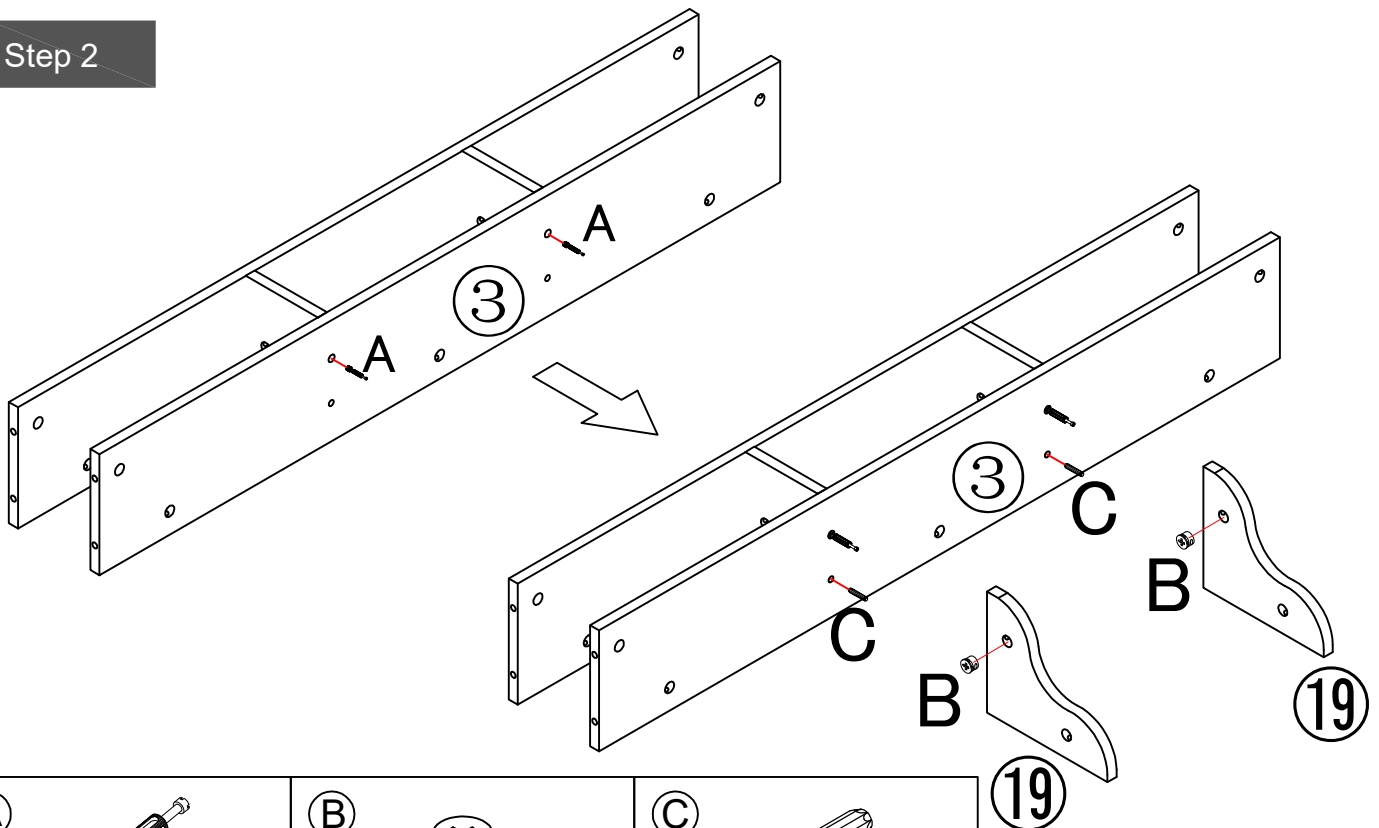
Cam Bolt x 4

(B)



Cam lock x 4

Step 2



(A)



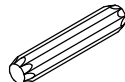
Cam Bolt x 2

(B)



Cam lock x 2

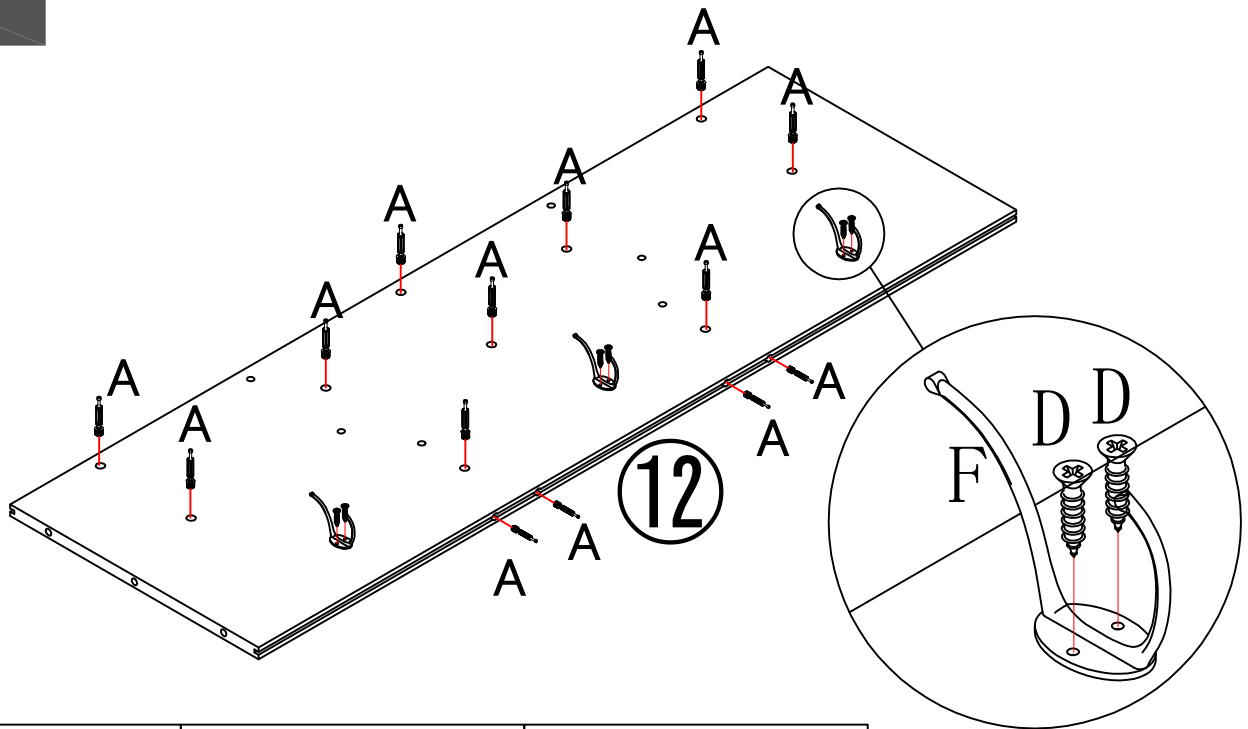
(C)



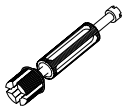
Dowel x 2

Assembly Instructions

Step 3



(A)



Cam Bolt x 14

(D)



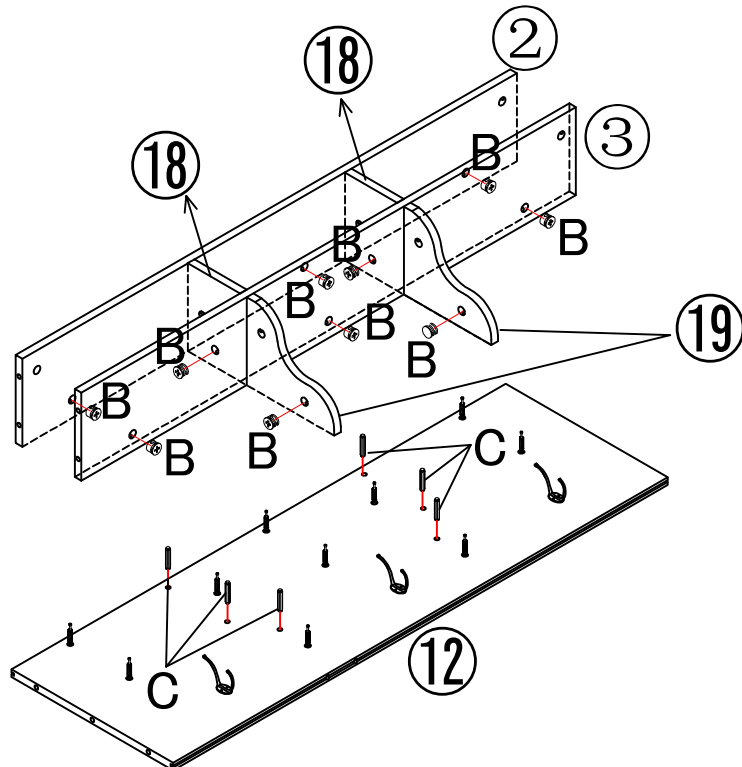
3.5*14mm Screw x 6

(F)



Clothes hook x 3

Step 4

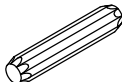


(B)



Cam lock x 10

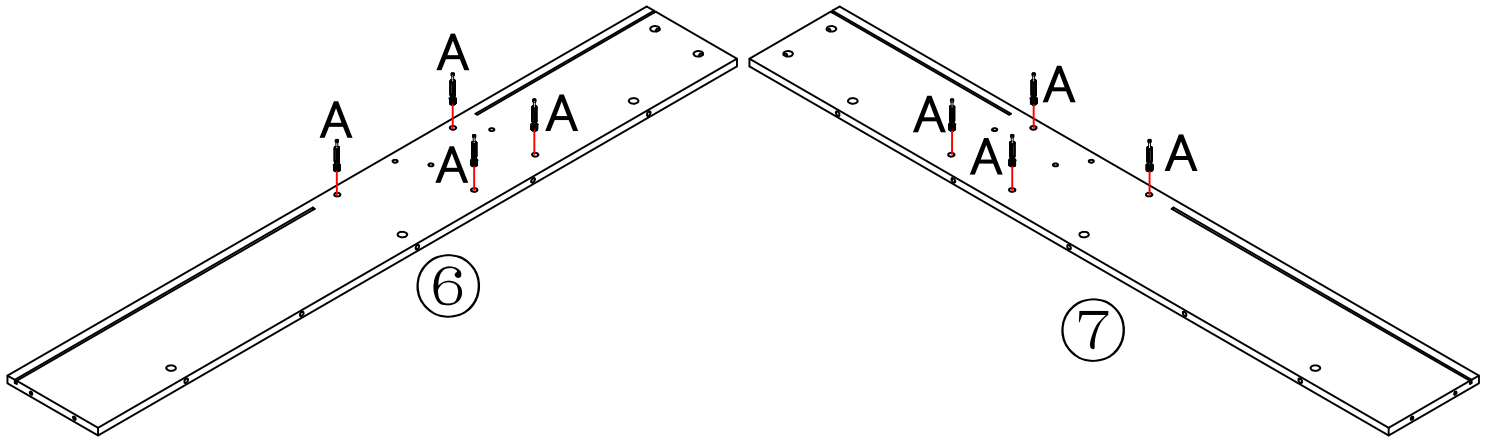
(C)



Dowel x 6

Assembly Instructions

Step 5

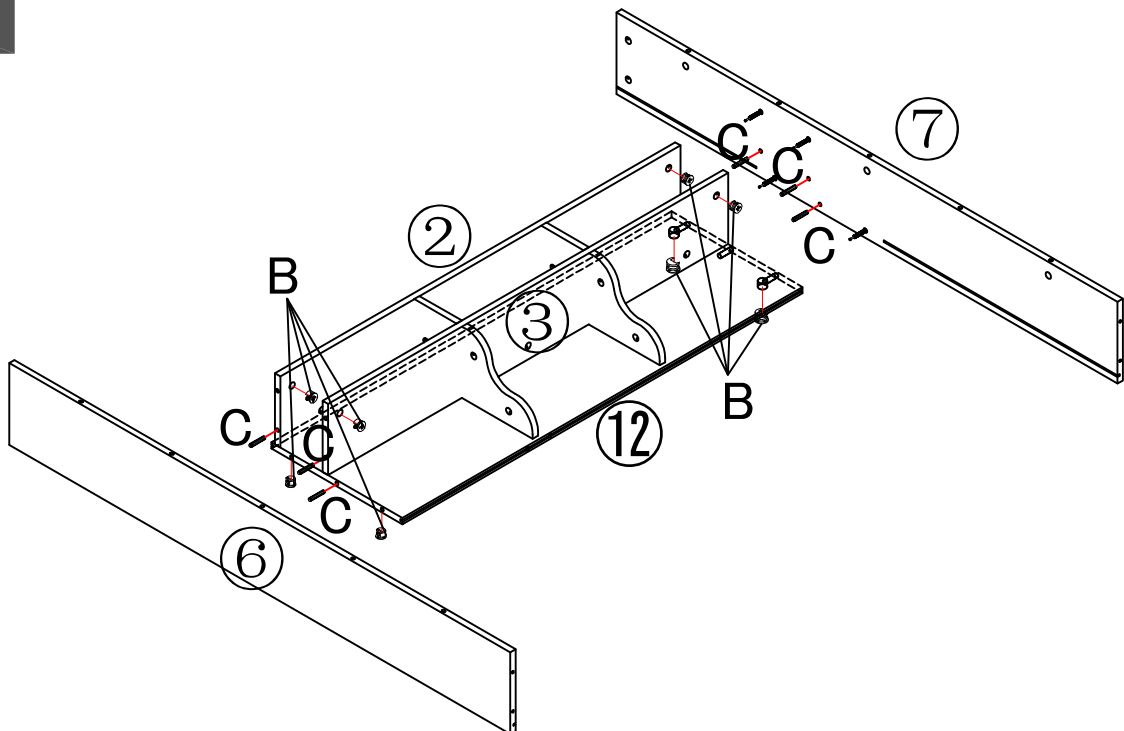


(A)



Cam Bolt x 8

Step 6

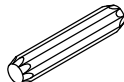


(B)



Cam lock x 8

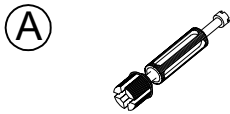
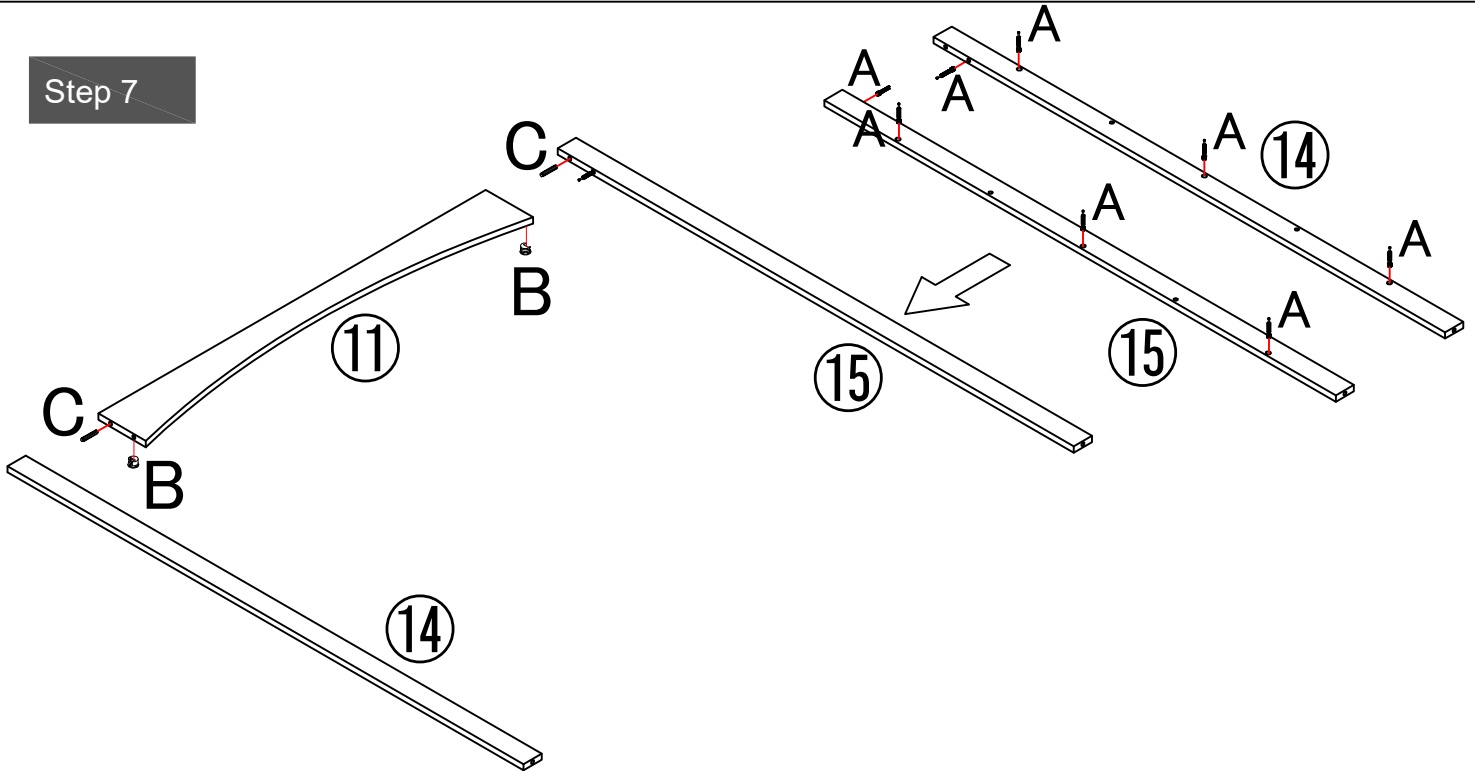
(C)



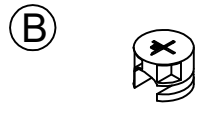
Dowel x 6

Assembly Instructions

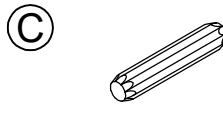
Step 7



Cam Bolt x 8

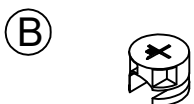
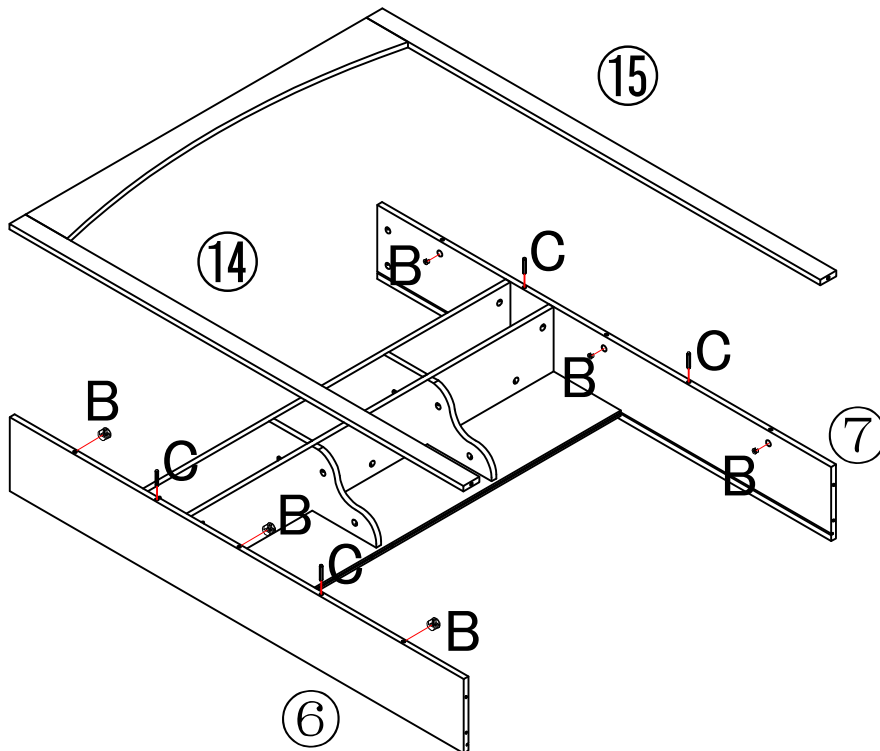


Cam lock x 2

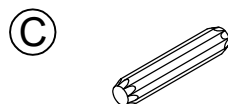


Dowel x 2

Step 8



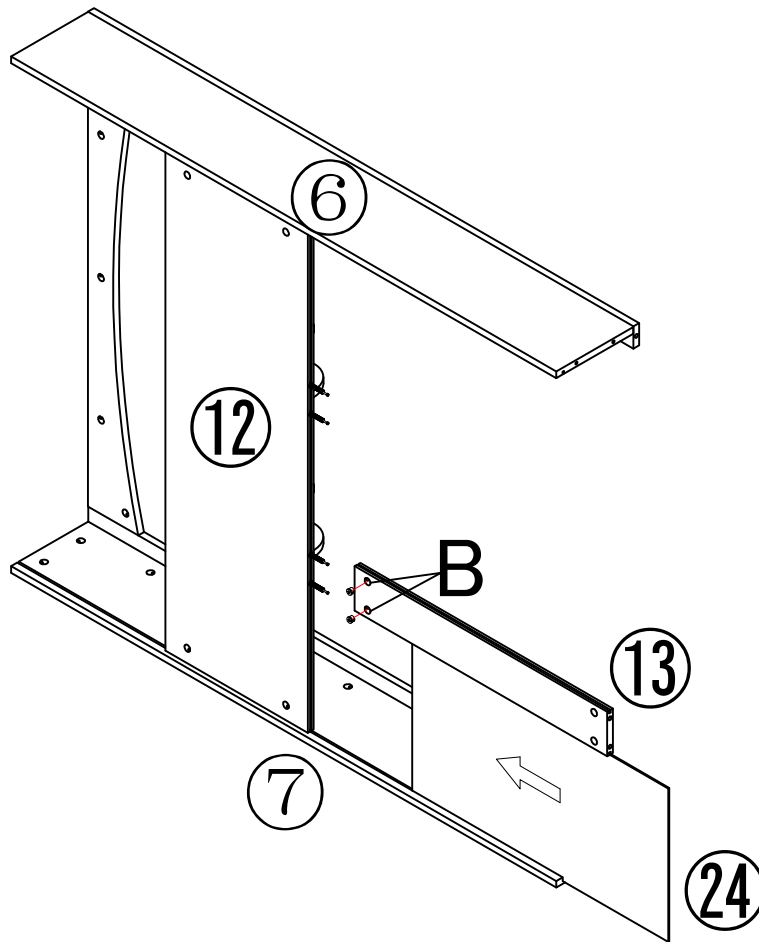
Cam lock x 6



Dowel x 4

Assembly Instructions

Step 9

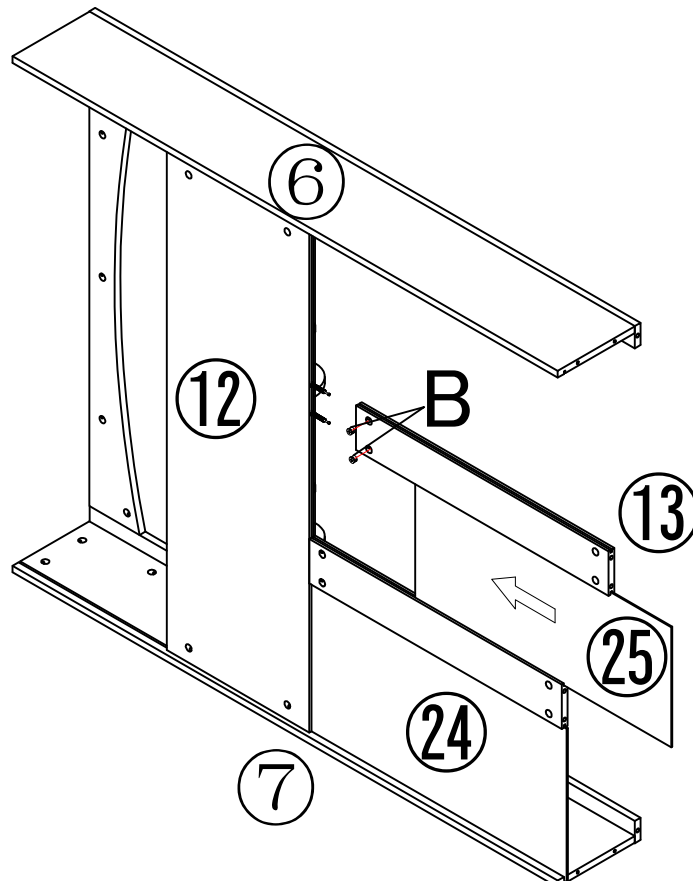


(B)



Cam lock x 2

Step 10



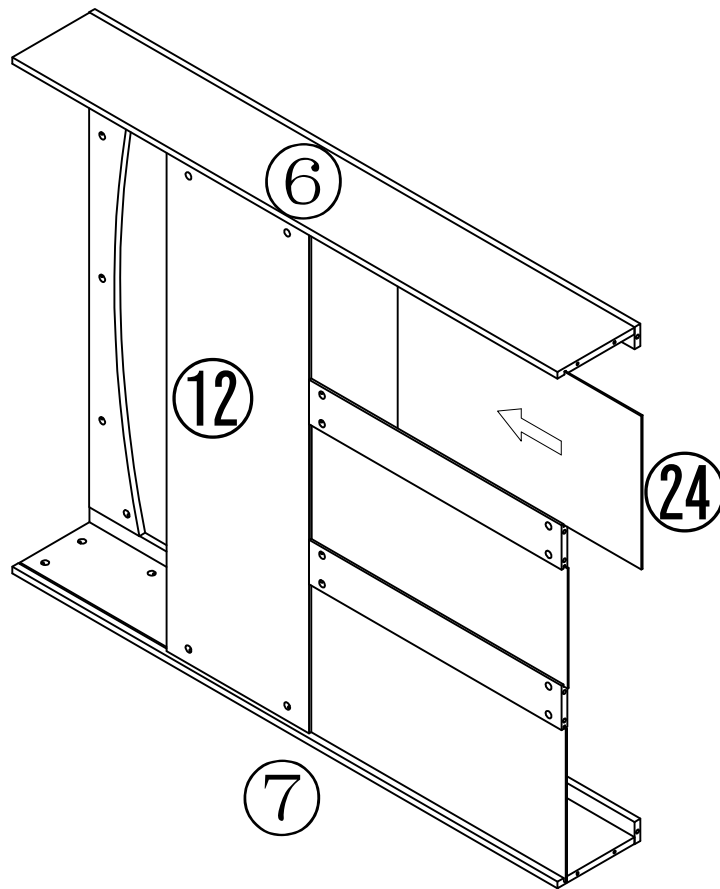
(B)



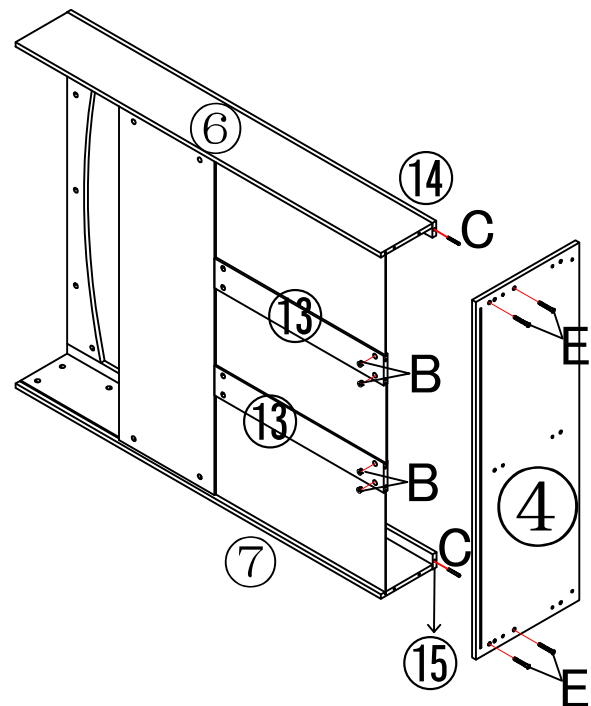
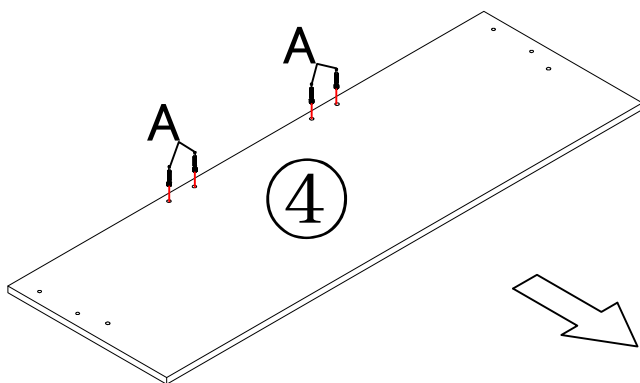
Cam lock x 2

Assembly Instructions

Step 11



Step 12



(A)



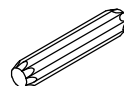
Cam Bolt x 4

(B)



Cam lock x 4

(C)



Dowel x 2

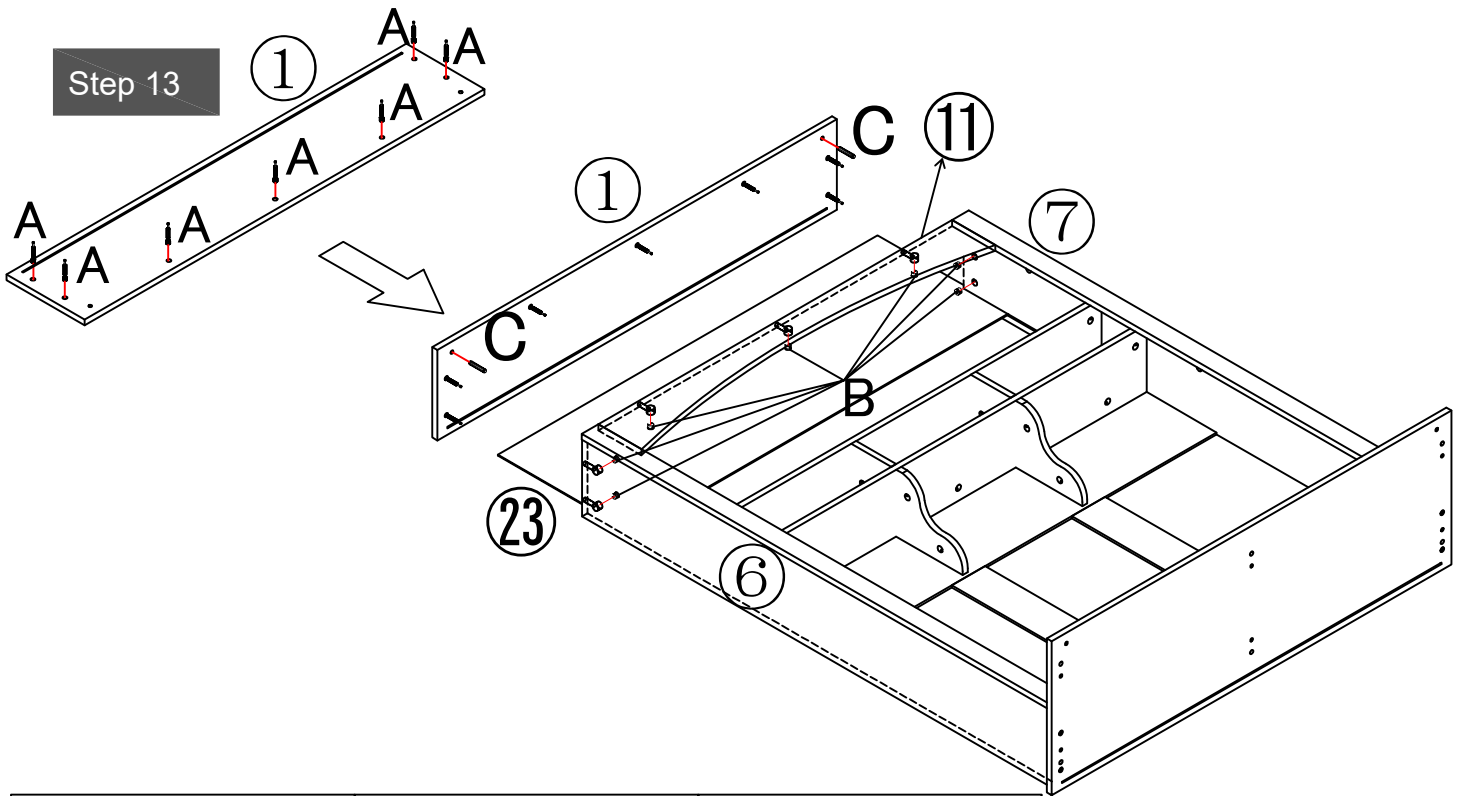
(E)



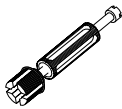
7*50mm Screw x 4

Assembly Instructions

Step 13



(A)



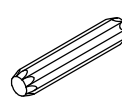
Cam Bolt x 7

(B)



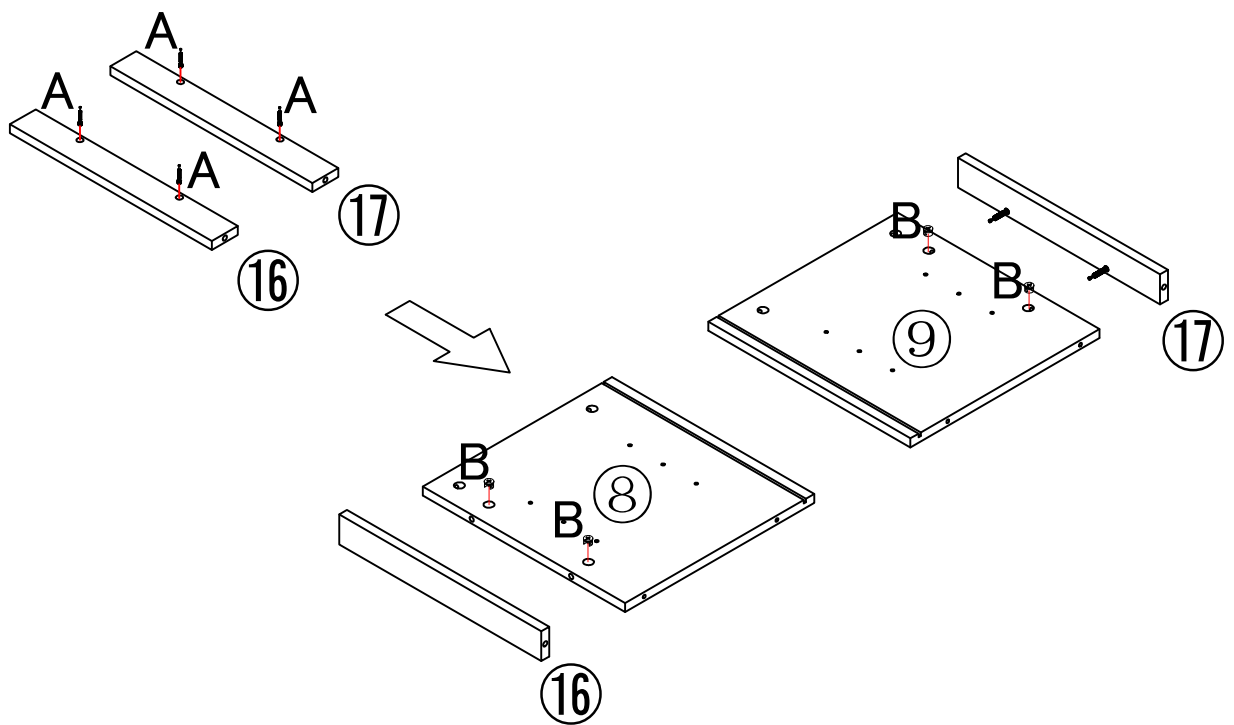
Cam lock x 7

(C)

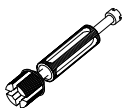


Dowel x 2

Step 14



(A)



Cam Bolt x 4

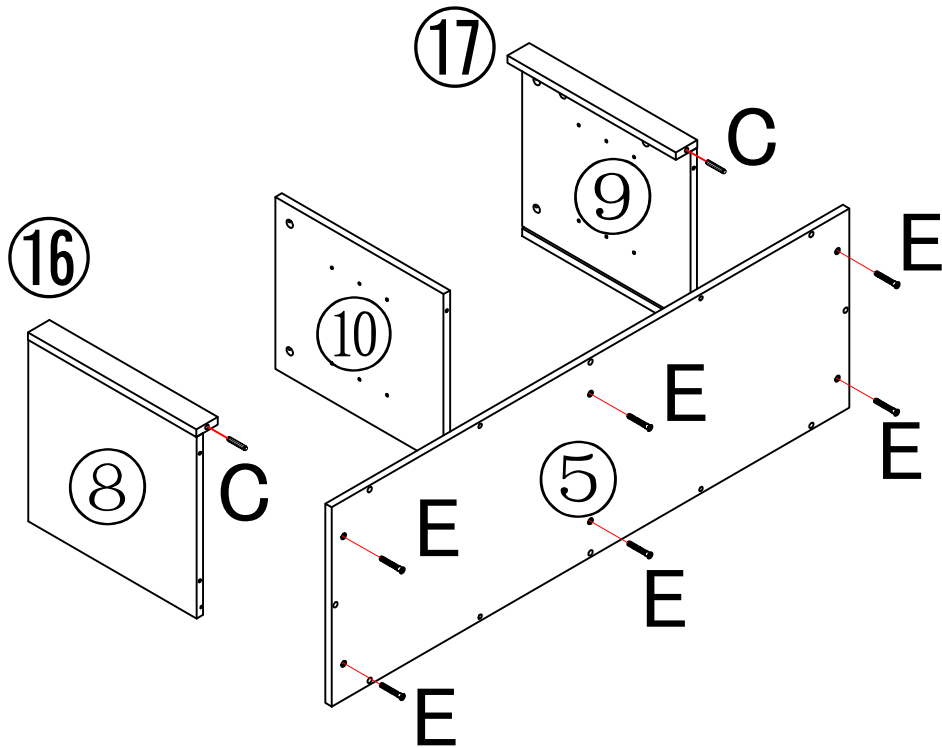
(B)



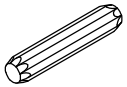
Cam lock x 4

Assembly Instructions

Step 15



(C)



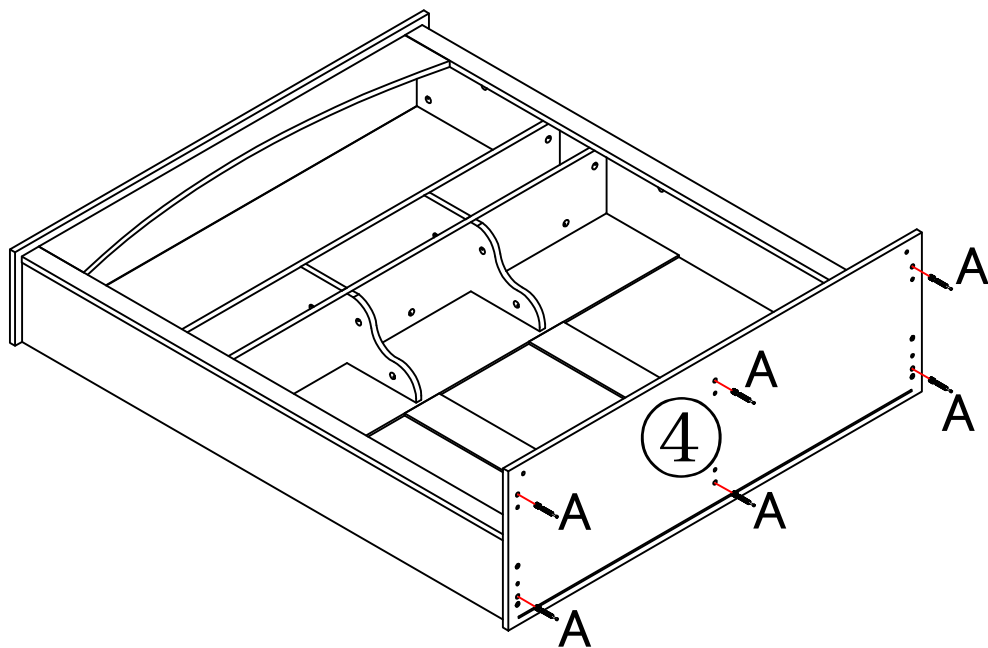
Dowel x 2

(E)



7*50mm Screw x 6

Step 16



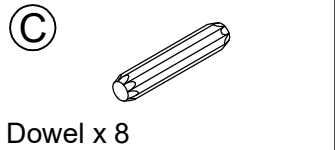
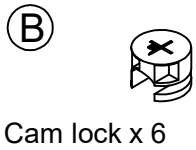
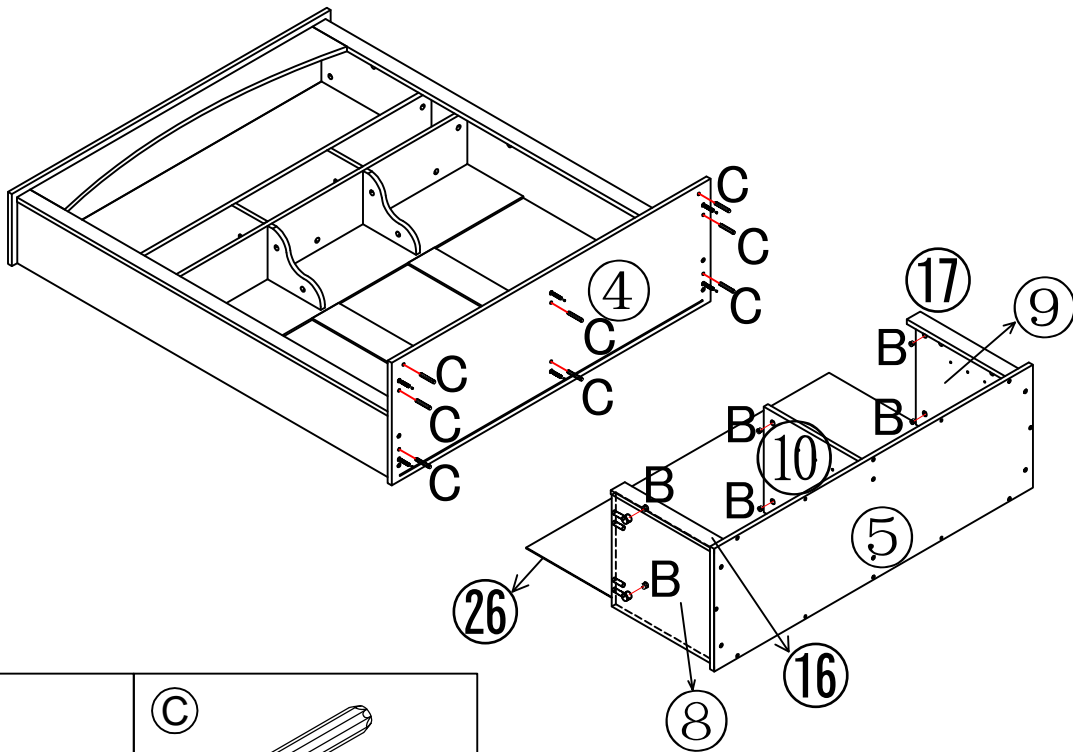
(A)



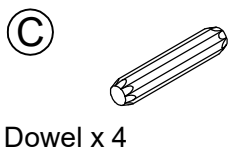
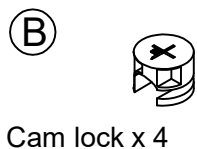
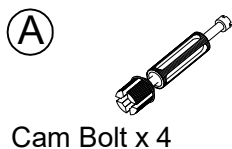
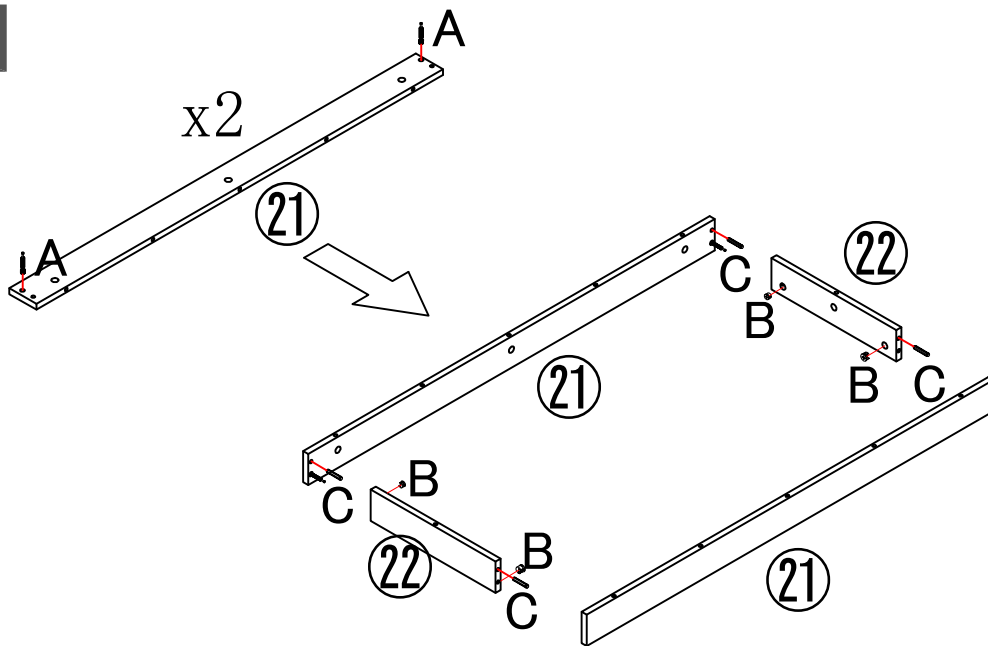
Cam Bolt x 6

Assembly Instructions

Step 17

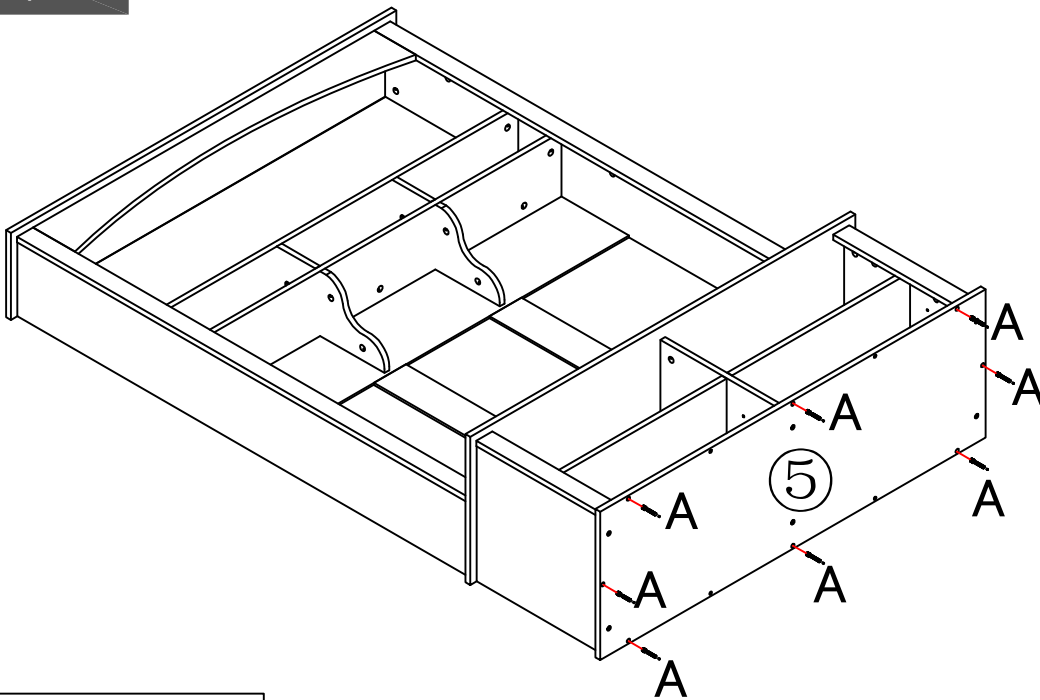


Step 18

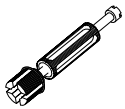


Assembly Instructions

Step 19

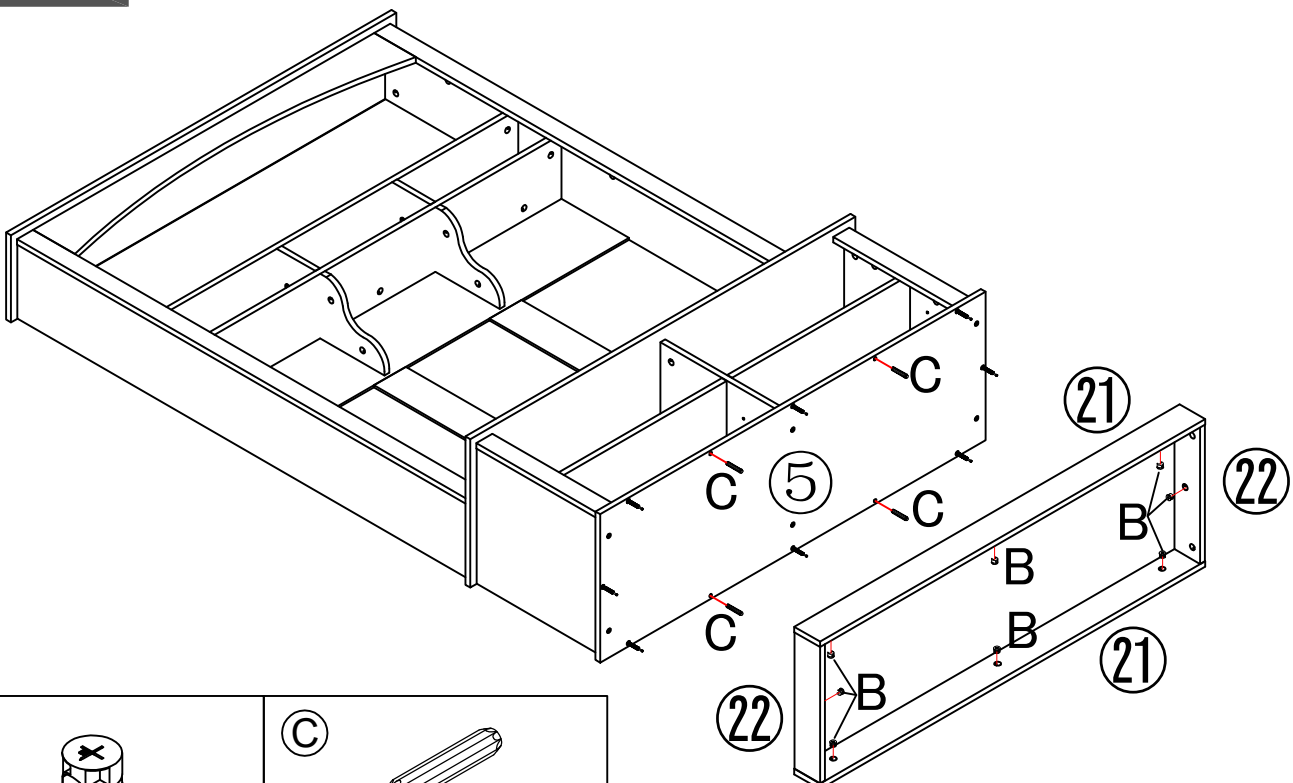


(A)



Cam Bolt x 8

Step 20

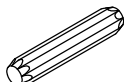


(B)



Cam lock x 8

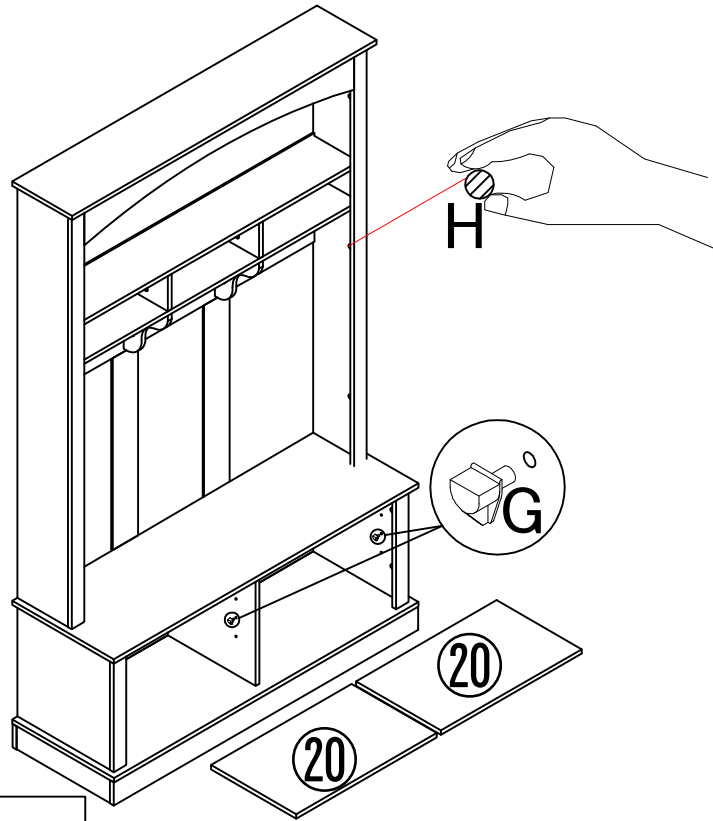
(C)



Dowel x 4

Assembly Instructions

Step 21



Ⓒ



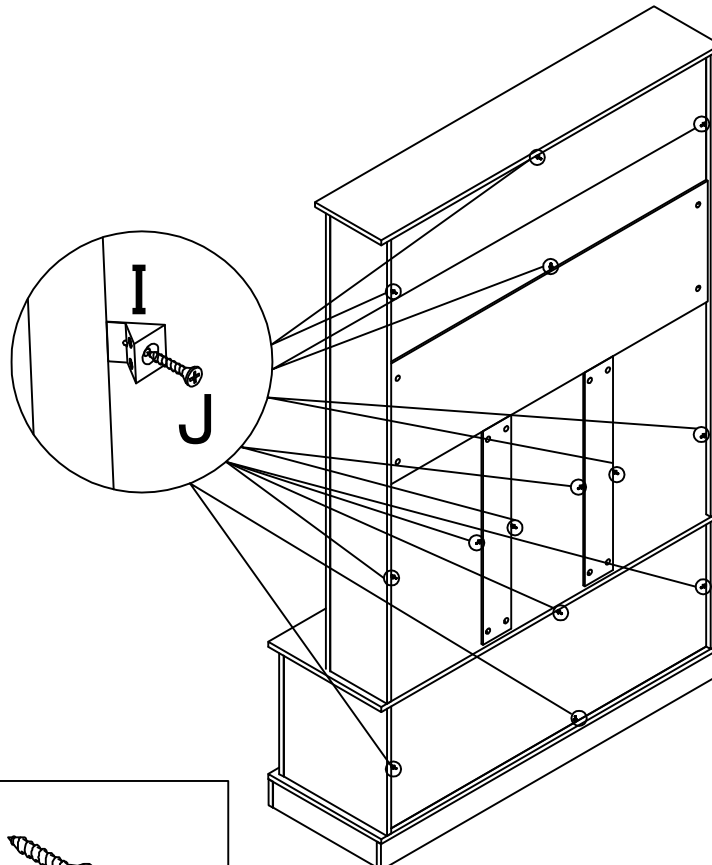
Movable partition bracket x 8

Ⓗ



Sticker Cover x 42

Step 22



Ⓘ



Back plate clamp x 14

Ⓙ



3*12mm Screw x 14

Assembly Instructions

