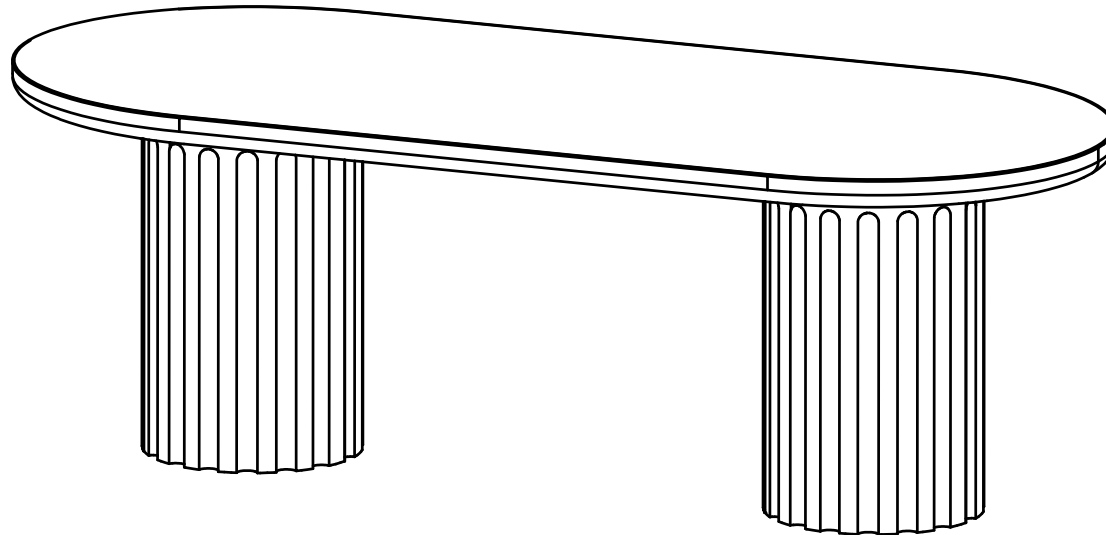


# **ASSEMBLY INSTRUCTIONS.**

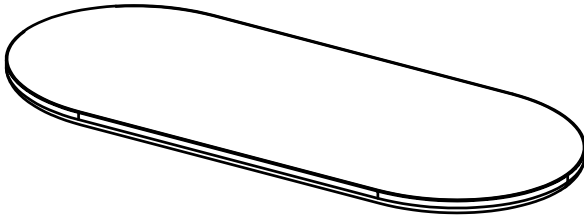
ERIS OUTDOOR DINING TABLE WHITE



THANK YOU FOR YOUR PURCHASE !

## PARTS AND HARDWARE.

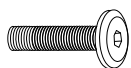
1. TOP x 1



A. BOLT M8-15 x 8



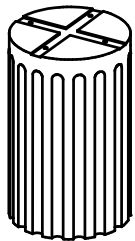
B. BOLT M8-25 x 8



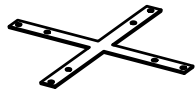
C. FLAT WASHER Ø22-h2 x 8



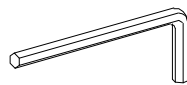
2. LEG x 2



3. FRAME x 2



D. ALLEN KEY M4-60 x 1

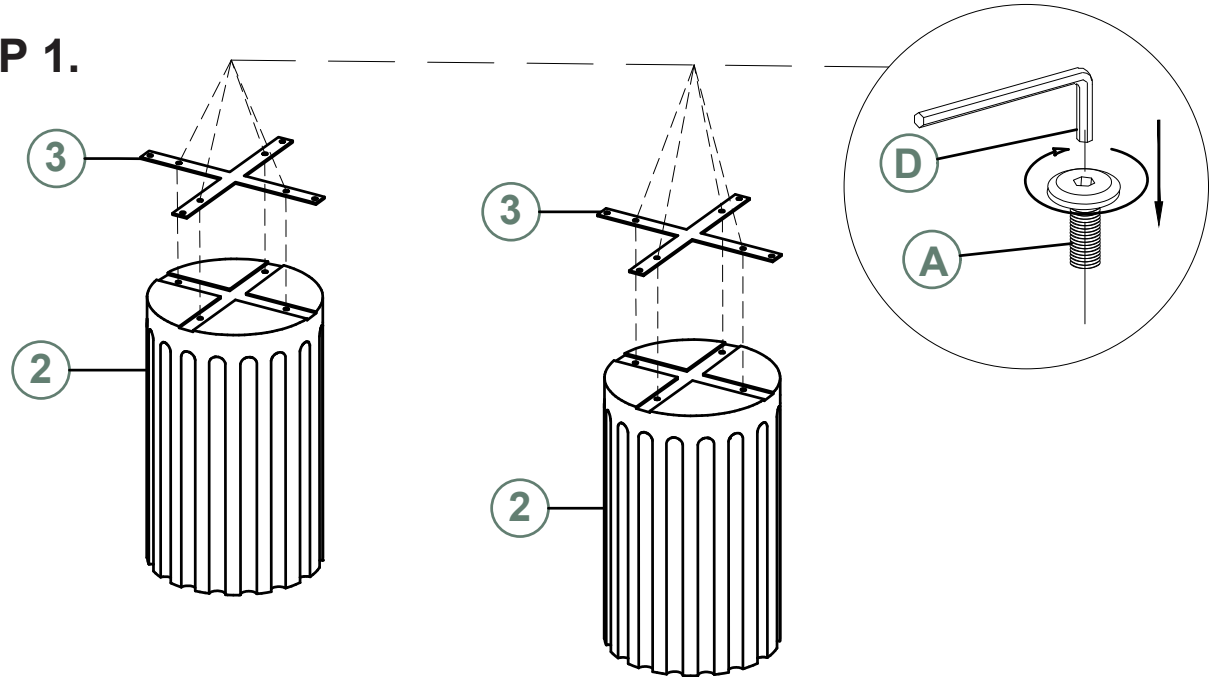


## NOTES.

Thank you for purchasing this quality product! Be sure to check all packing material carefully for small part that may have come loose inside the carton during shipping.

**CAUTION:** The item is heavy, assembly should be performed by two people.

## STEP 1.



## STEP 2.

