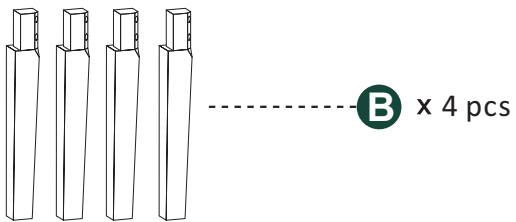


Revision Number: 01

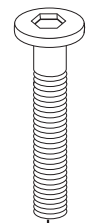
## 42201 Bench

E1900000, E1900007, E1900014

### Components



### Hardware

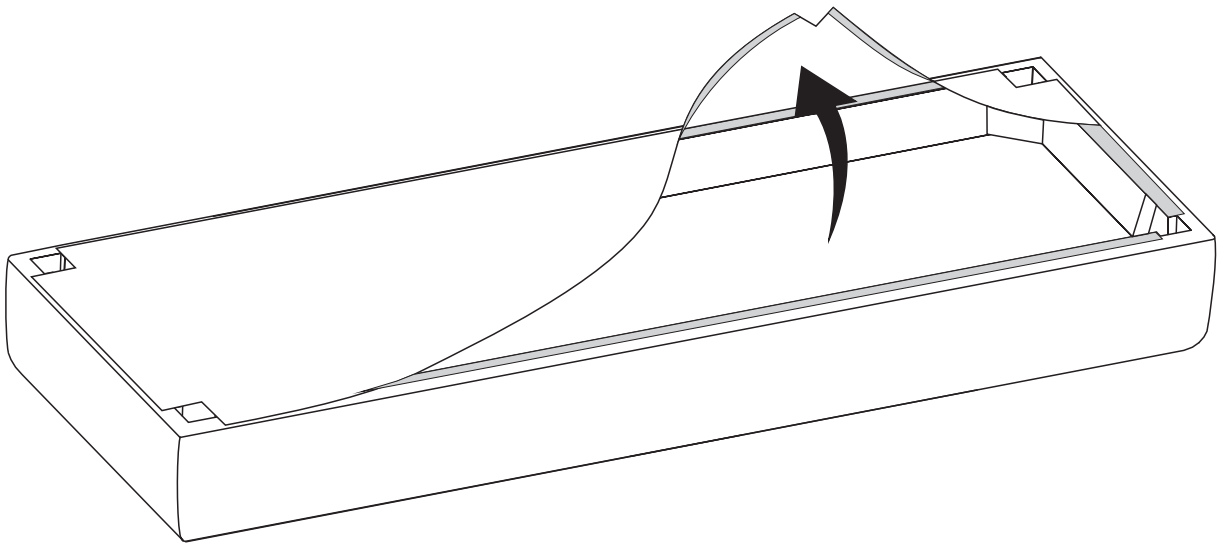


## **CAUTION:**

*When placing furniture on non-carpeted flooring, we recommend the use of floor protection such as an area rug or furniture pads. Area rugs and padding not included with purchase.*

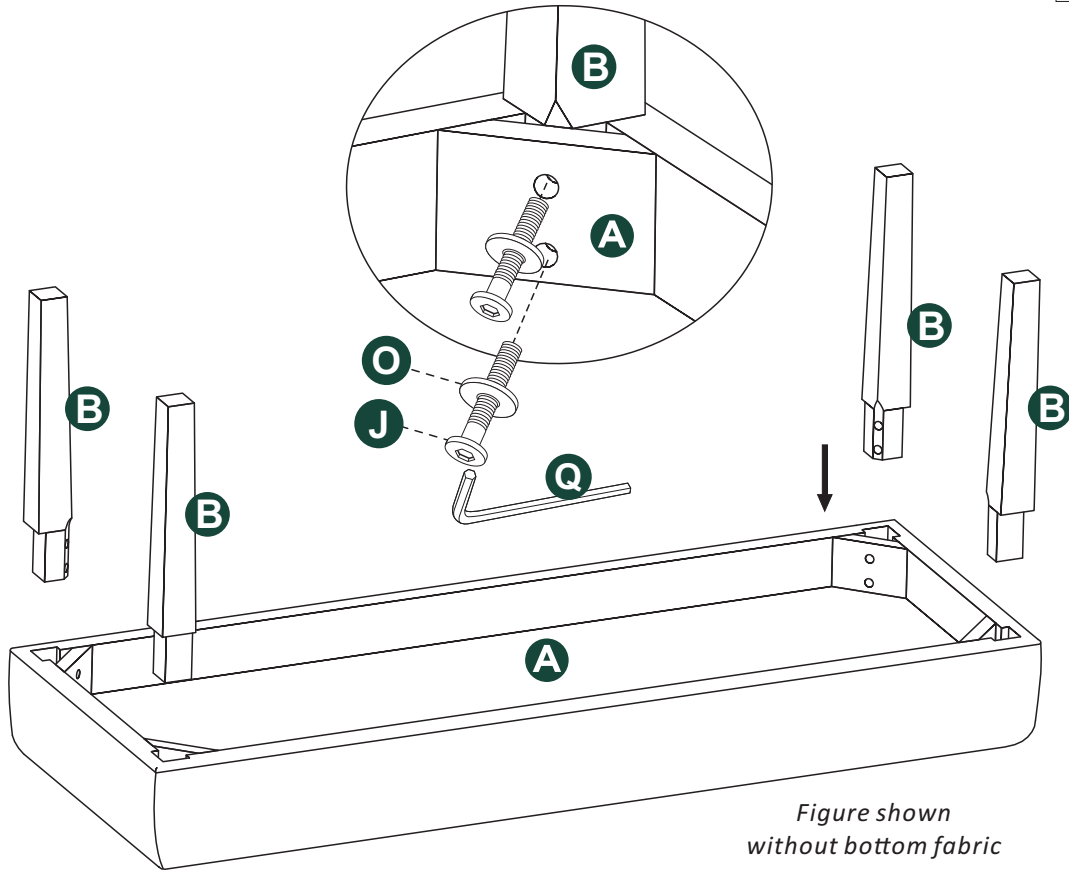
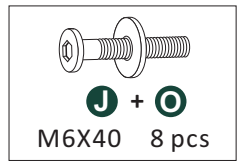
---

### **Remove Parts From Bench Compartment**



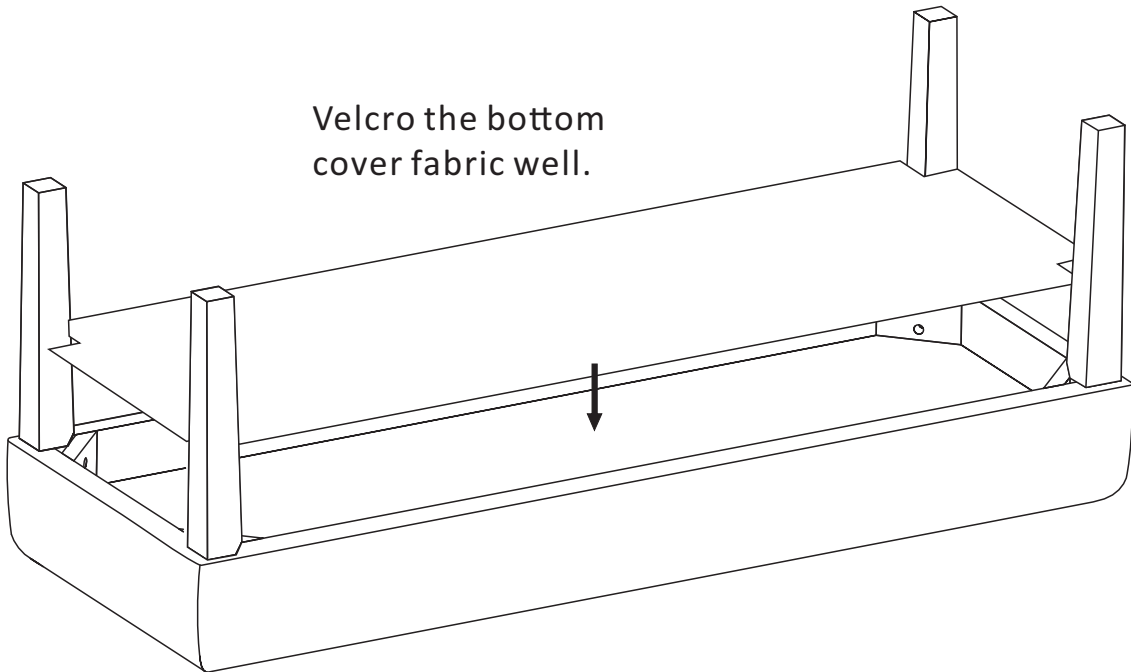
1

Attach (O) washers to (J) bolts. Attach the legs (B) to corners of bench cushion (A) as shown below. Use the bolts (J) to attach. Tighten with Allen key (Q).



2

Velcro the bottom cover fabric well.



**You're all finished!**