

Scan QR Code for Assembly Instruction video or call customer service for video file.

Thank you for purchasing this quality product. Be sure to check all packing material carefully for small parts which may have come loose inside the carton during shipment. Separate, identify and count all parts and hardware. Compare with the parts list to be sure all parts are present.

IMPORTANT : PLEASE READ INSTRUCTION BEFORE STARTING THE ASSEMBLY.

"DO NOT TIGHTEN SCREWS UNTIL COMPLETELY ASSEMBLED"

"DO NOT OVERTIGHT ANY HARDWARE"

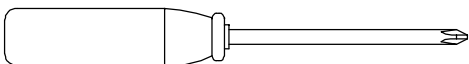
WARNING : SMALL PARTS AND HARDWARE NOT FOR CHILDREN UNDER 3 YEARS. ADULT ASSEMBLY REQUIRED.

TABLE OF CONTENTS

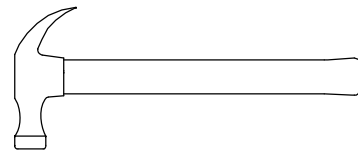
HARDWARES LIST	PAGE 2
PARTS LIST	PAGE 3 - 4
PARTS' LOCATION	PAGE 5
ASSEMBLY STEPS	PAGE 6 - 17
ASSEMBLY COMPLETED	PAGE 17

ASSEMBLY TOOLS REQUIRED

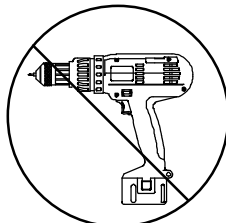
1. Screwdriver (not provide)



2. Hammer (not provide)





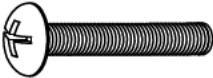
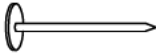
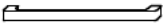



Skip the power trip this time.



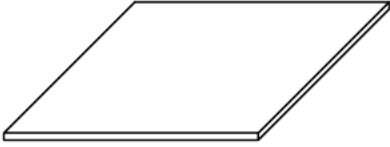
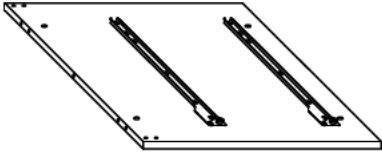
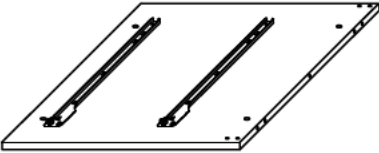
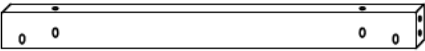
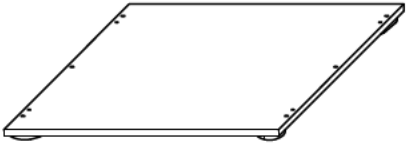
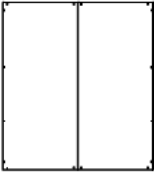
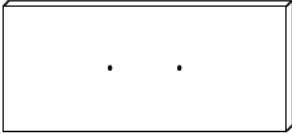


80070-011 NS ASSEMBLY INSTRUCTION

HARDWARES LIST

ITEM	DESCRIPTION	DRAWING	QTY
A	MINIFIX CAM LOCK		24 PCS
B	MINIFIX CAM BOLT		24 PCS
C	WOOD DOWEL (M8 x 25MM)		16 PCS
D	WOOD DOWEL (M6 x 25MM)		24 PCS
E	TRUSS M-SCREW (20MM)		4 PCS
F	6/8" NAIL		16 PCS
G	HANDLE		2 PCS
H	CSK C/B SCREW (M4 x 25MM)		4 PCS

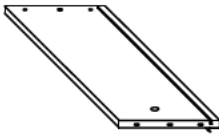
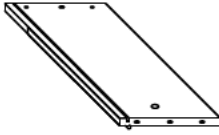
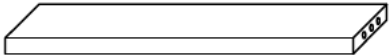
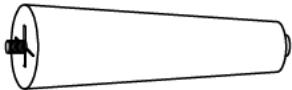
80070-011 NS ASSEMBLY INSTRUCTION

PARTS LIST

ITEM	DESCRIPTION	DRAWING	QTY
N1	TOP PANEL		1 PC
N2	LEFT PANEL		1 PC
N3	RIGHT PANEL		1 PC
N4	LEFT & RIGHT SUPPORT RAIL		2 PCS
N5	BOTTOM PANEL		1 PC
N6	BACK PANEL		1 PC
N7	DRAWER HEAD		2 PCS
N8	DRAWER BACK PANEL		2 PCS
N9	DRAWER BOTTOM PANEL		2 PCS

80070-011 NS ASSEMBLY INSTRUCTION

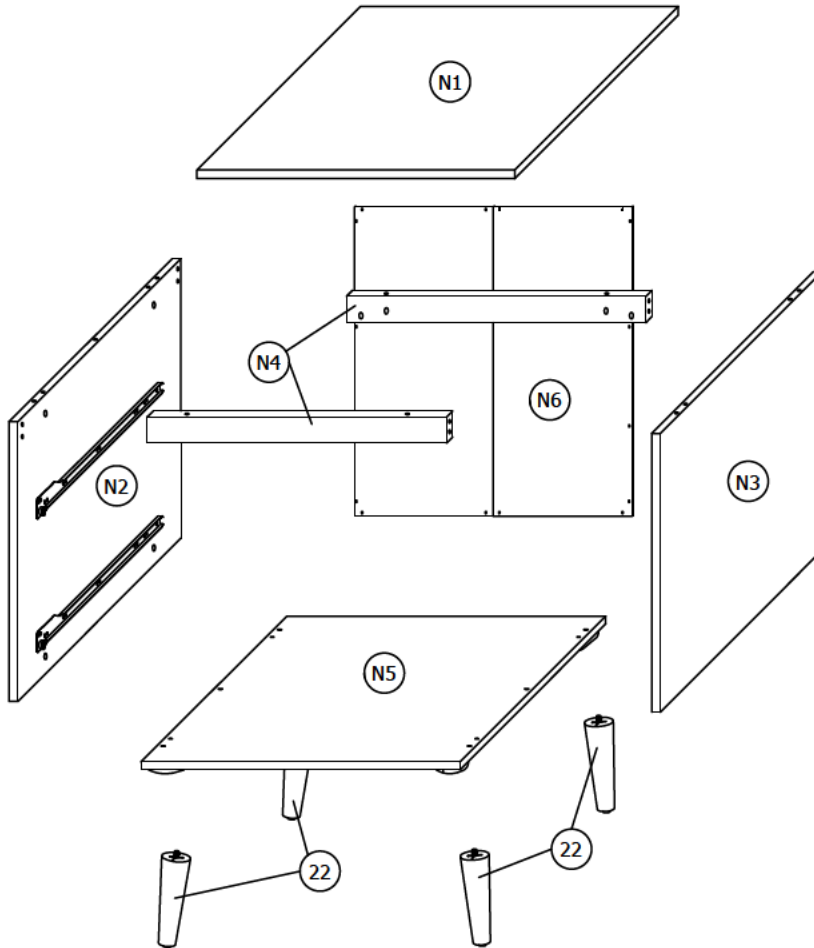
PARTS LIST

ITEM	DESCRIPTION	DRAWING	QTY
19	DRAWER LEFT PANEL		2 PCS
20	DRAWER RIGHT PANEL		2 PCS
21	DRAWER BOTTOM SUPPORT RAIL		2 PCS
22	SUPPORT LEG		4 PCS

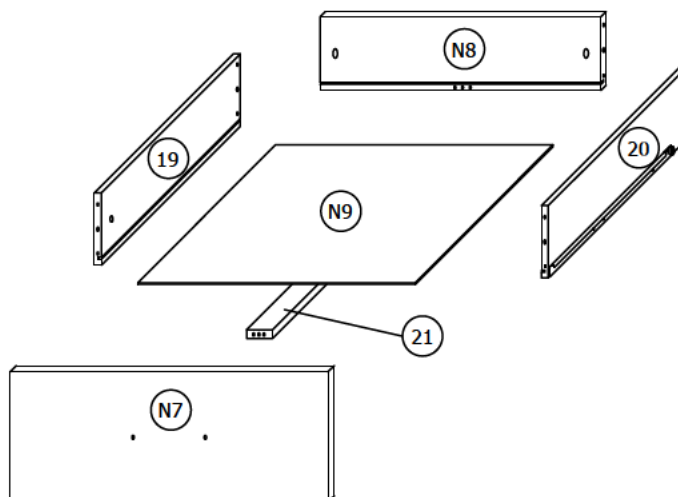
80070-011 NS ASSEMBLY INSTRUCTION

PARTS ' LOCATION

NIGHTSTAND x 1 PC



DRAWER x 2 PCS

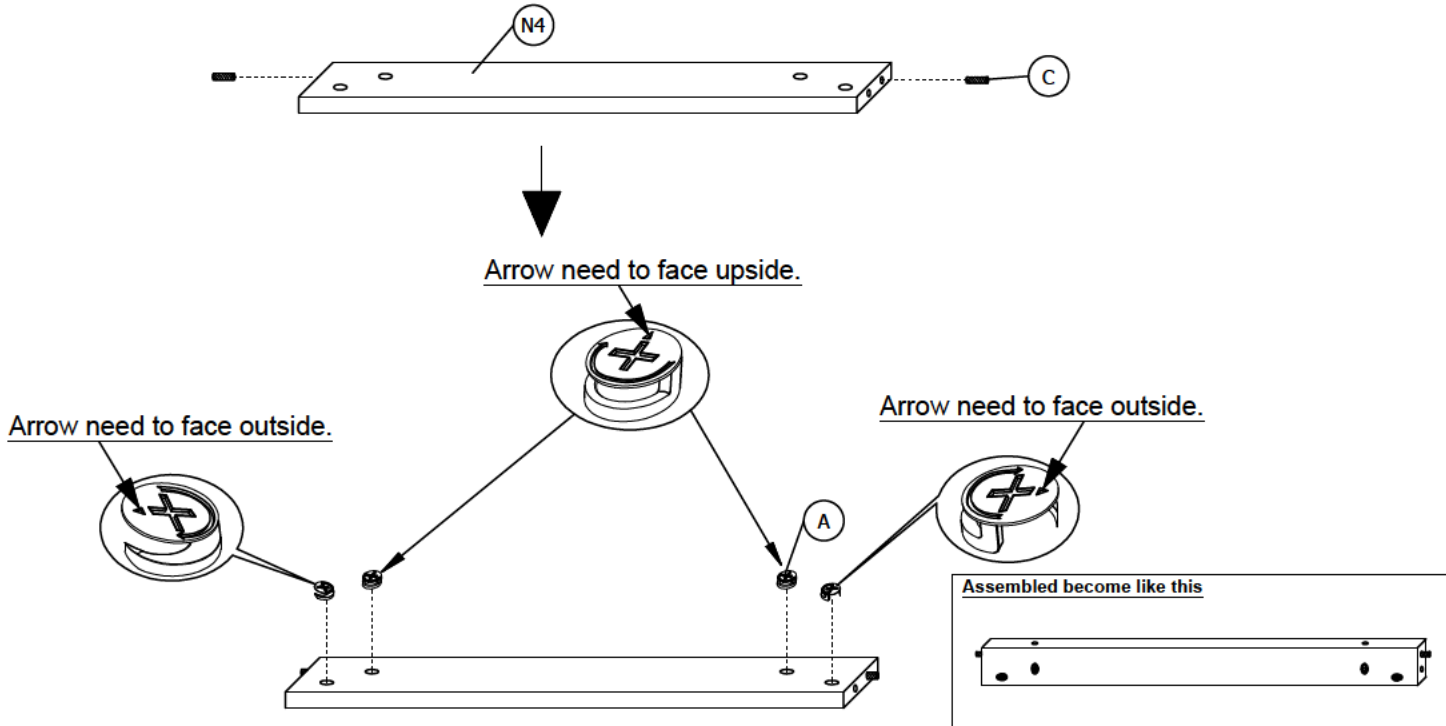


80070-011 NS ASSEMBLY INSTRUCTION

ASSEMBLY STEPS

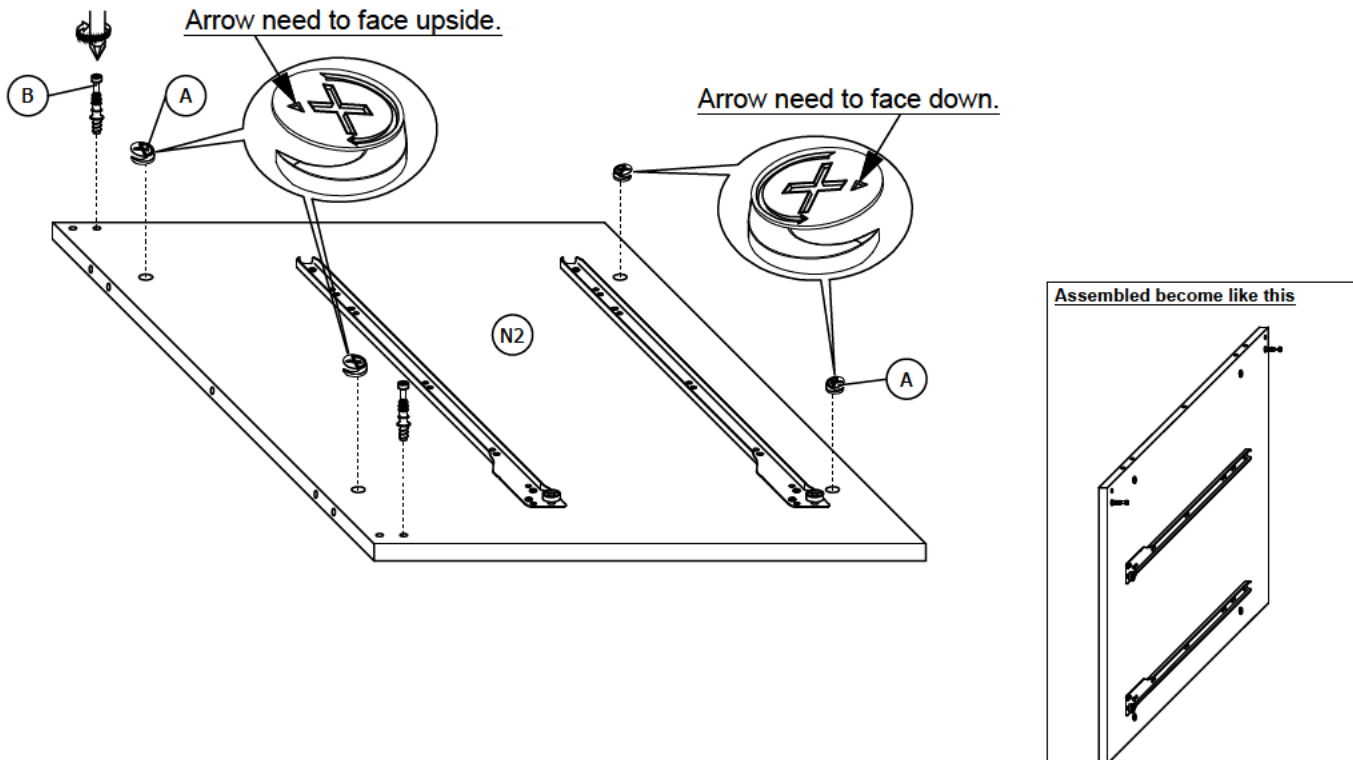
STEP 1

Insert 4 pieces (A) and 2 pieces (C) to (N4) as shown.



STEP 2

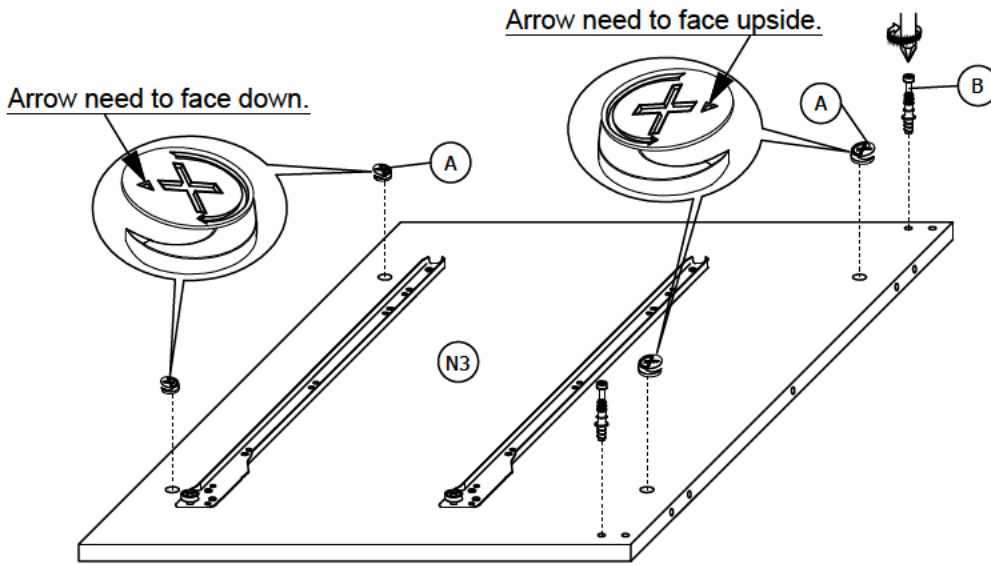
Insert 4 pieces (A) and 2 pieces (B) to the (N2) as shown.



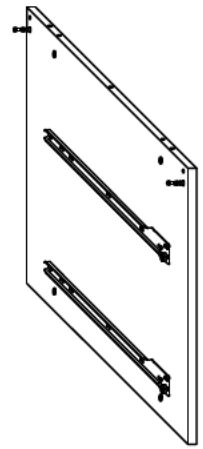
80070-011 NS ASSEMBLY INSTRUCTION

STEP 3

Insert 4 pieces (A) and 2 pieces (B) to the (N3) as shown.

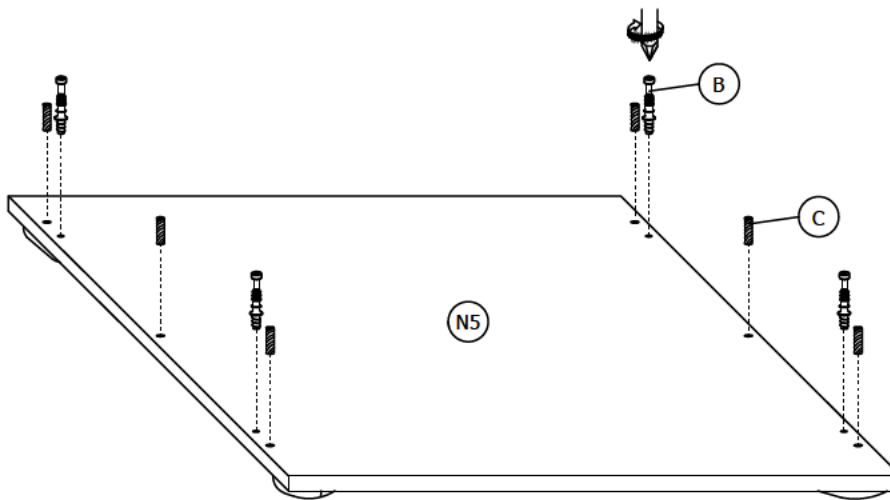


Assembled become like this

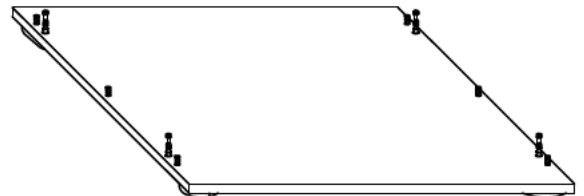


STEP 4

Insert 4 pieces (B) and 6 pieces (C) to the (N5) as shown.



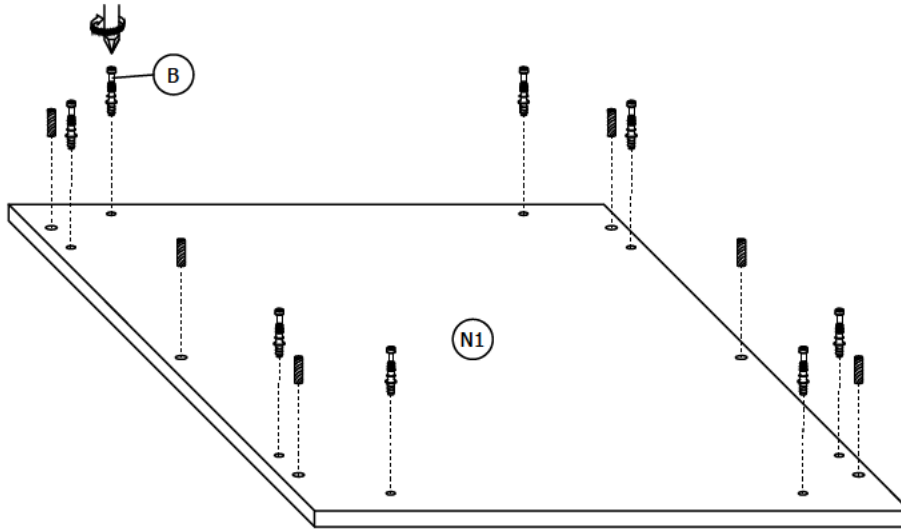
Assembled become like this



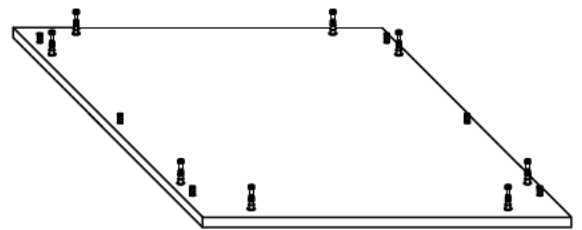
80070-011 NS ASSEMBLY INSTRUCTION

STEP 5

Insert 8 pieces (B) and 6 pieces (C) to the (N1) as shown.

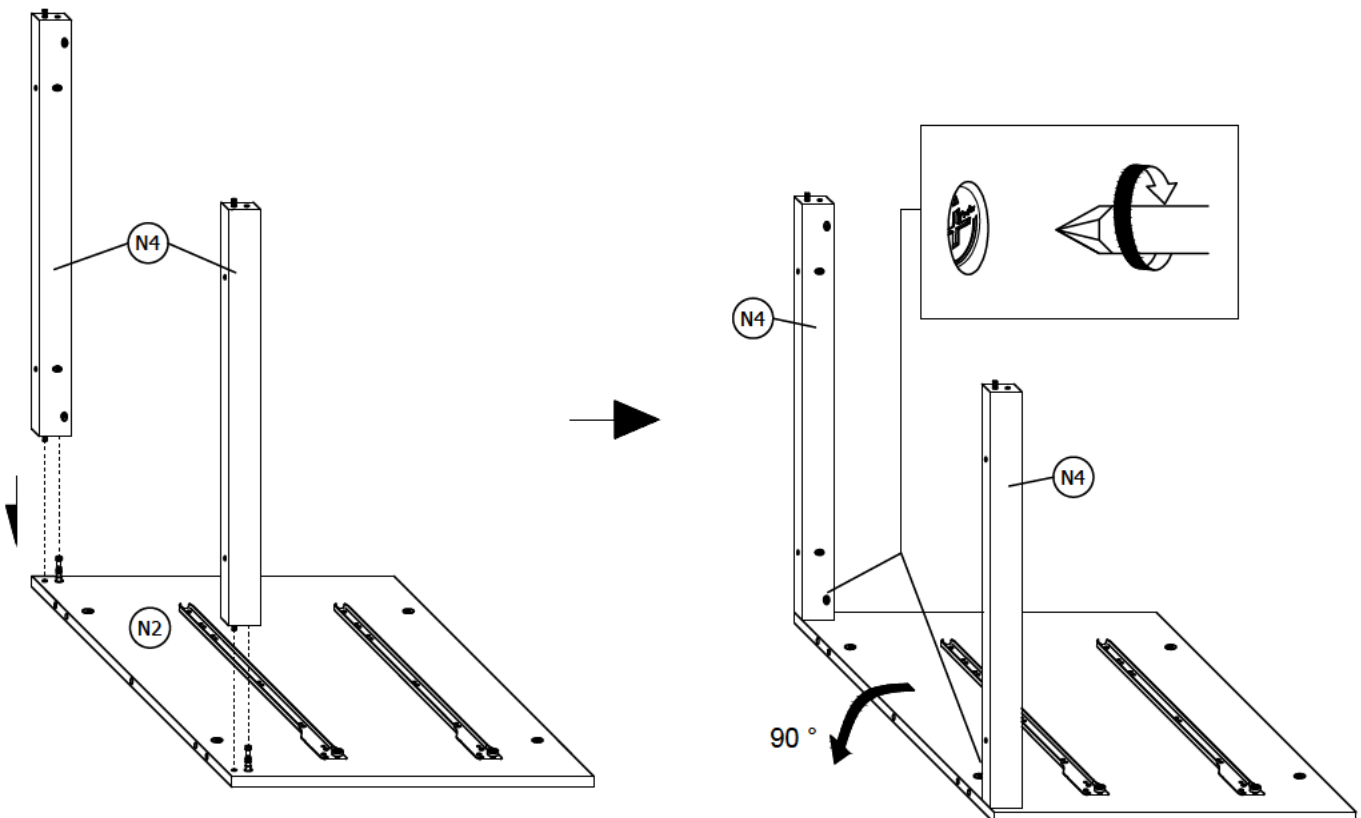


Assembled become like this



STEP 6

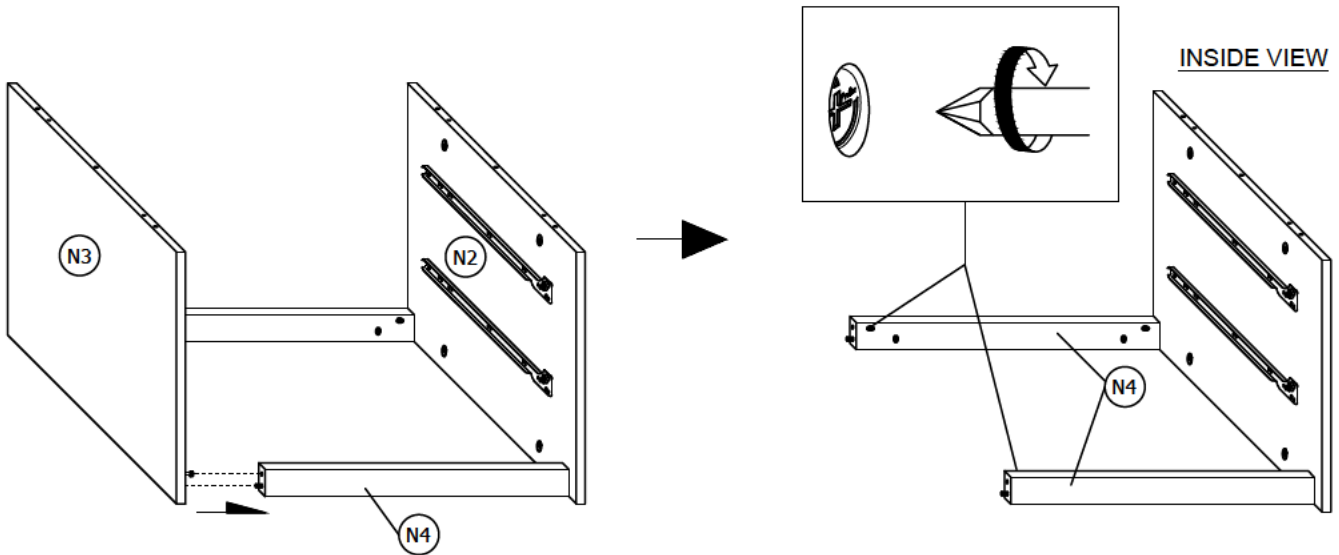
Combine the (N4) to the (N2) and tighten the 2 pieces (A)-(pre insert in step 1) as shown.



80070-011 NS ASSEMBLY INSTRUCTION

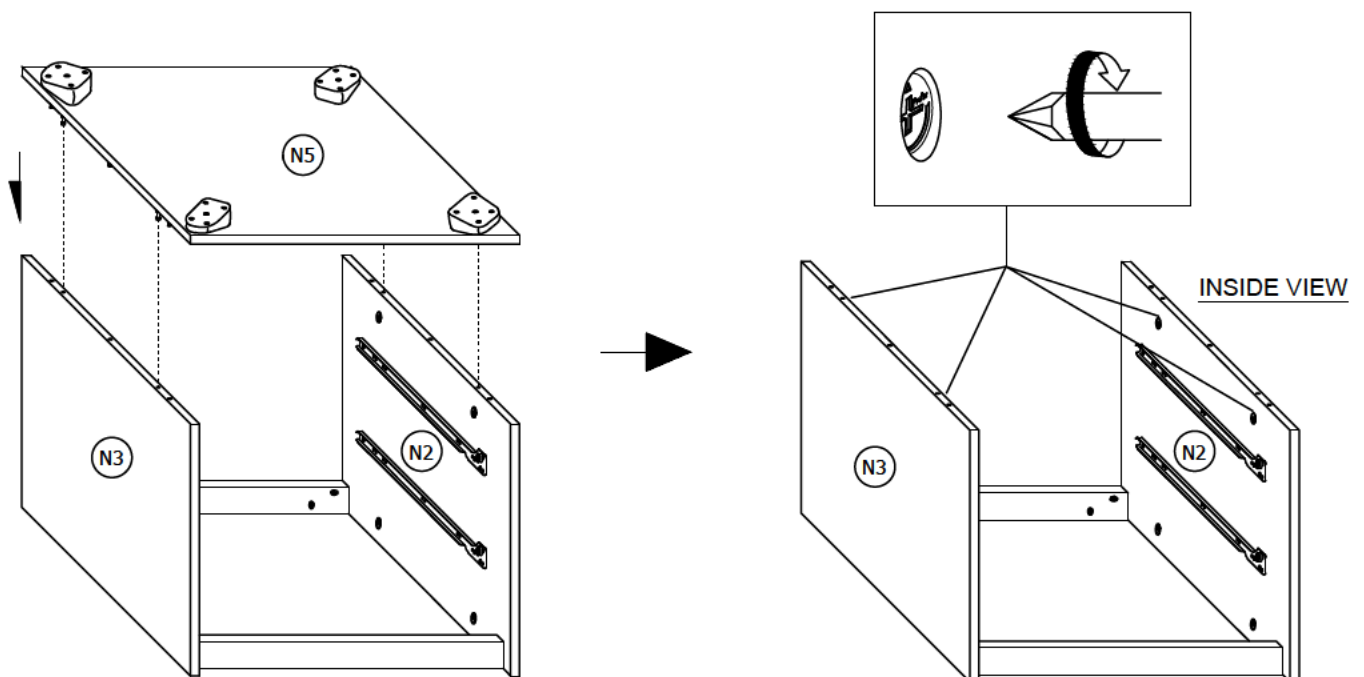
STEP 7

Combine the (N3) to the (N4) and tighten the another 2 pieces (A)-(pre insert in step 1) as shown.



STEP 8

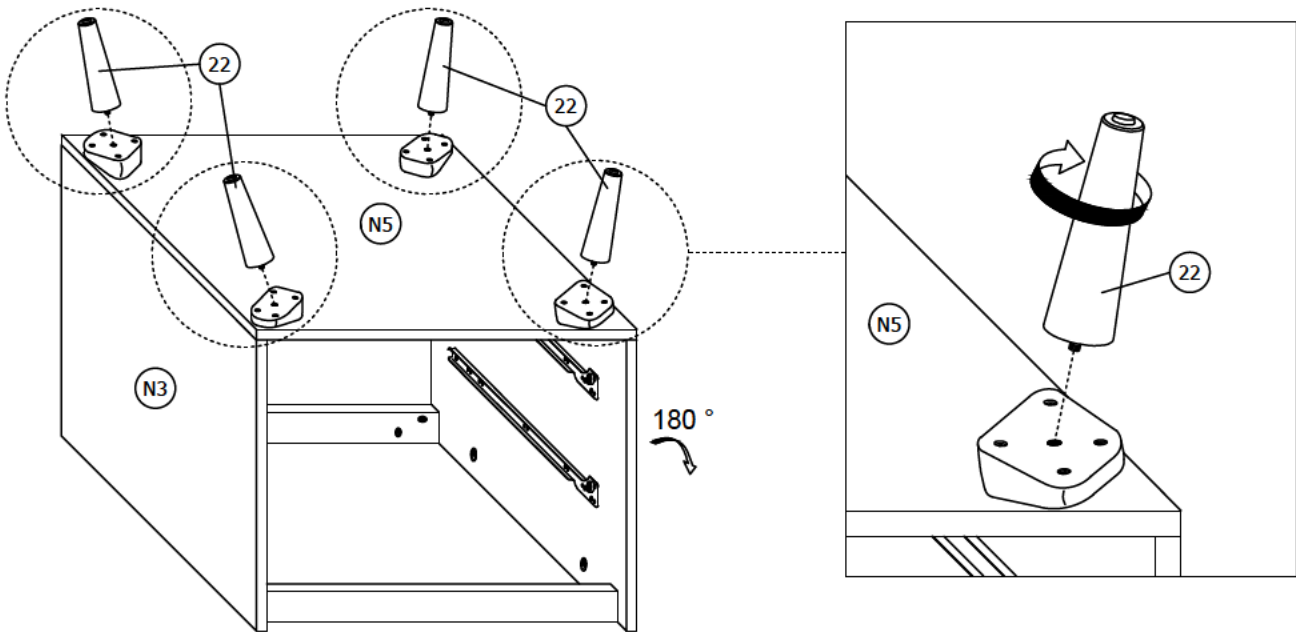
Combine the (N5) to the (N2) and (N3) then tighten the 4 pieces (A)-(pre insert in step 2 and 3) as shown.



80070-011 NS ASSEMBLY INSTRUCTION

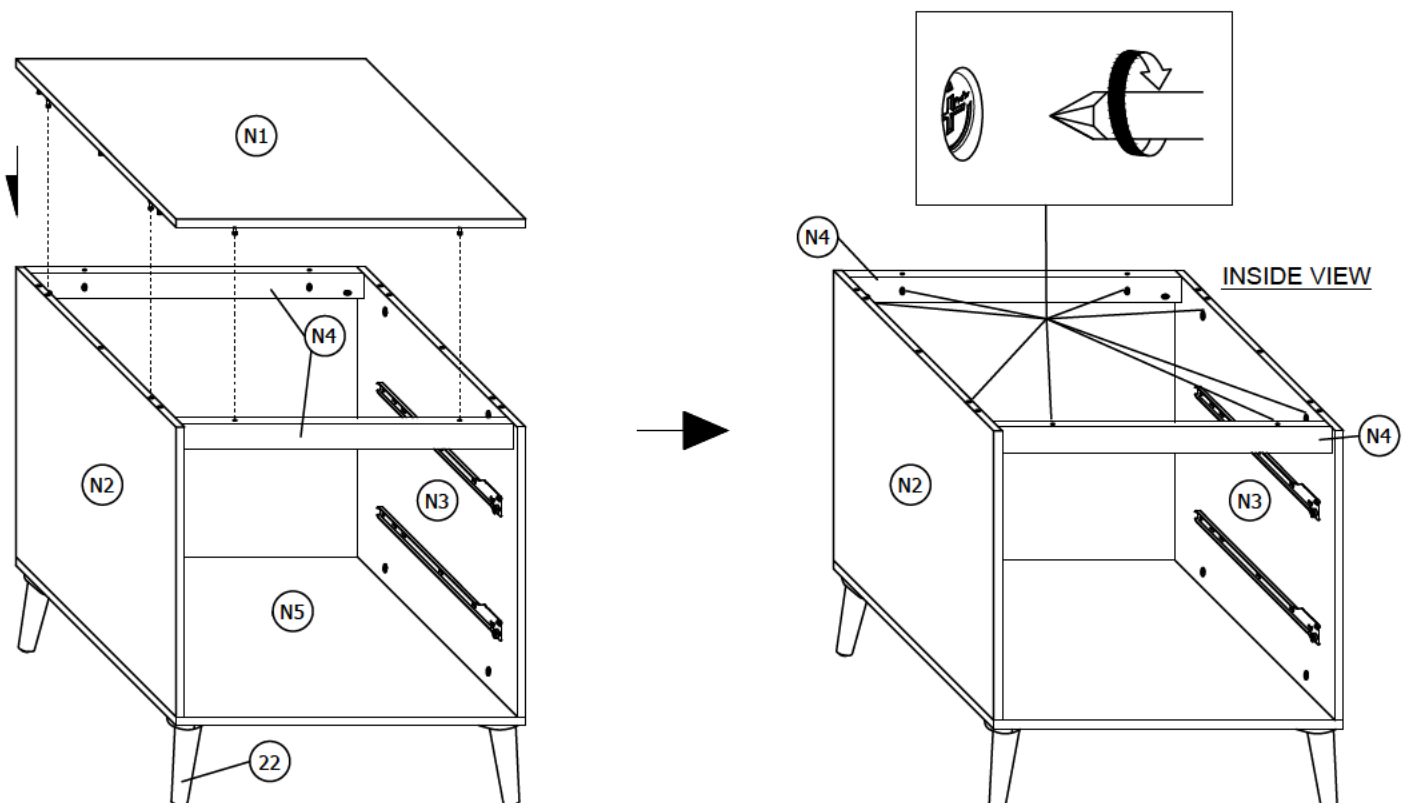
STEP 9

Turn (22) clockwise to combine it to the plastic which located at bottom of the (N5) as shown.



STEP 10

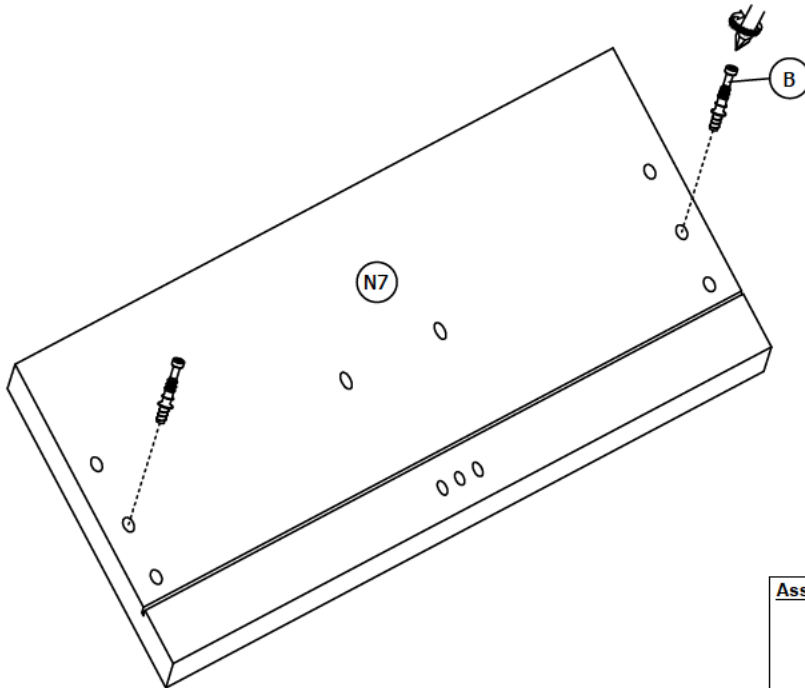
Combine the (N1) to the frame then tighten the remaining 8 pieces (A)-(pre insert in step 1 to 3) as shown.



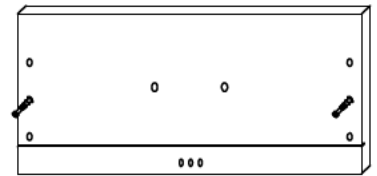
80070-011 NS ASSEMBLY INSTRUCTION

STEP 11

Insert 2 pieces (B) to the (N7) as shown. This step needs to be done twice.

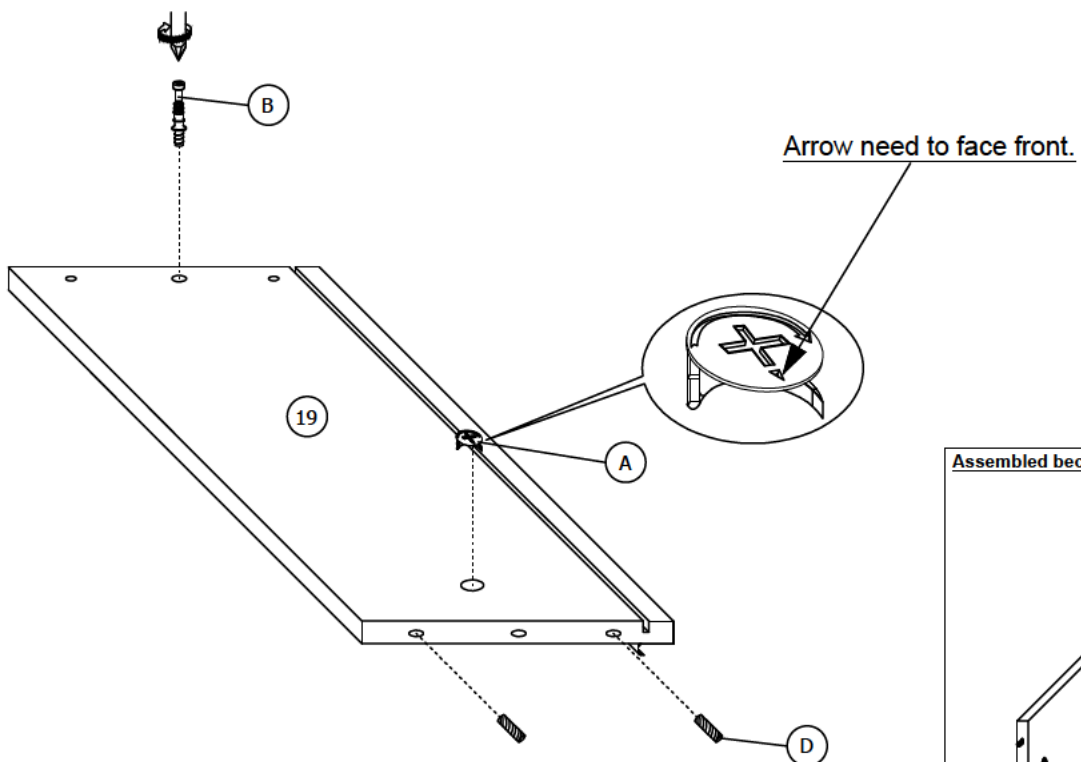


Assembled become like this

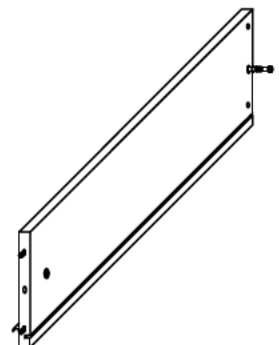


STEP 12

Insert 1 piece (A), 1 piece (B) and 2 pieces (D) to (19) as shown. This step needs to be done twice.



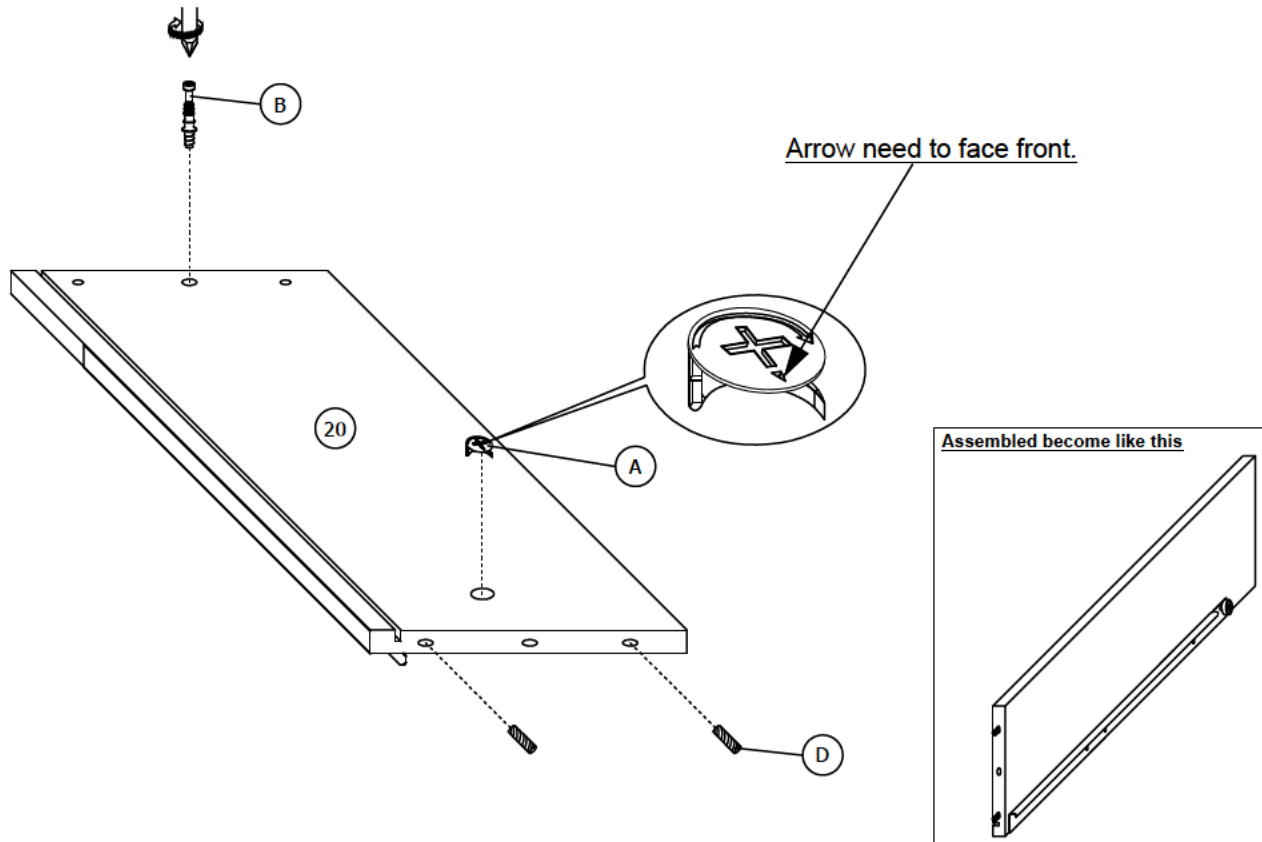
Assembled become like this



80070-011 NS ASSEMBLY INSTRUCTION

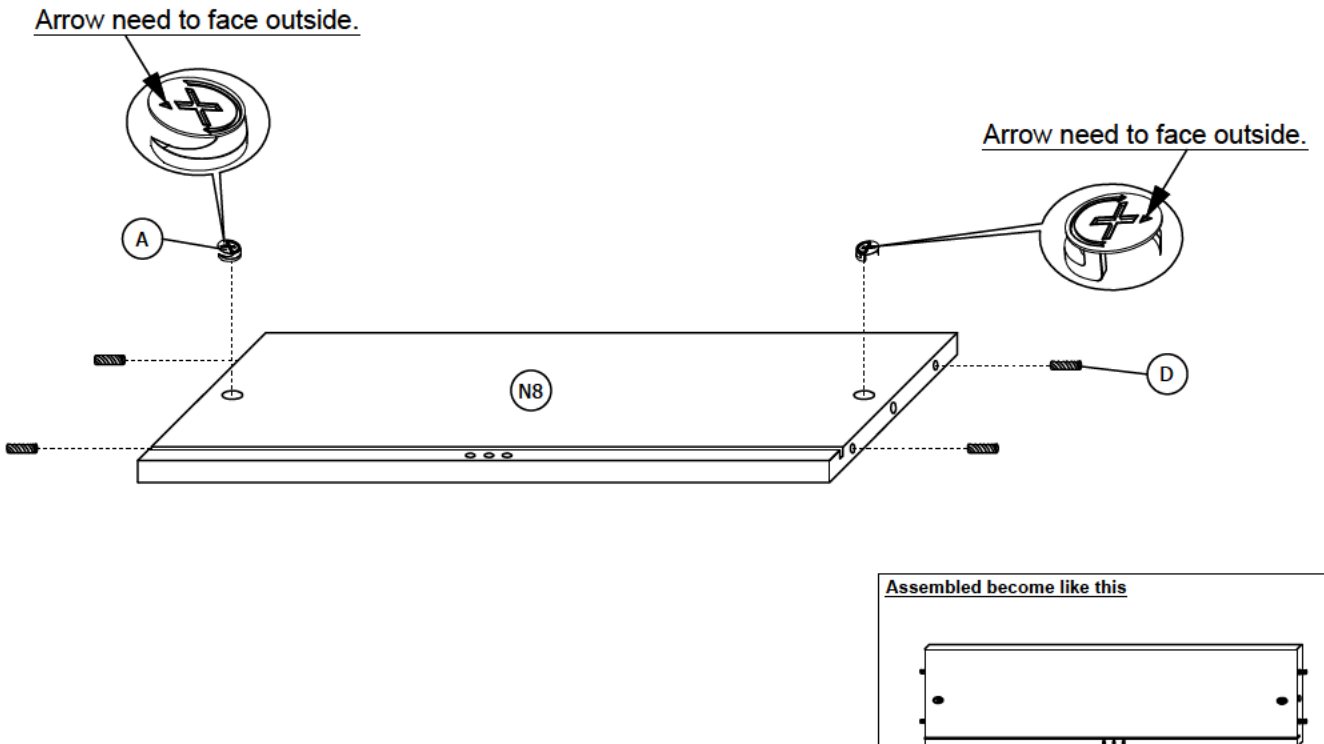
STEP 13

Insert 1 piece (A) , 1 piece (B) and 2 pieces (D) to (20) as shown. This step needs to be done twice.



STEP 14

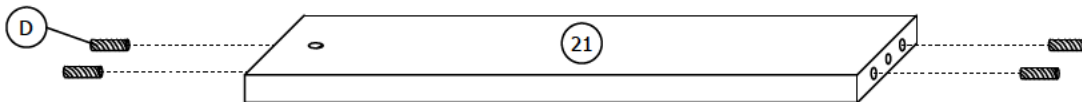
Insert 2 pieces (A) and 4 pieces (D) to (N8) as shown. This step needs to be done twice.



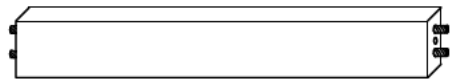
80070-011 NS ASSEMBLY INSTRUCTION

STEP 15

Insert 4 pieces (D) to (21) as shown. This step needs to be done twice.

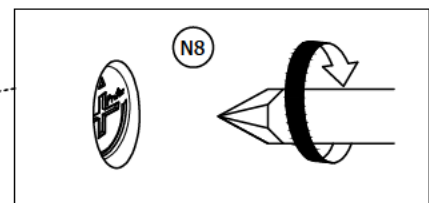
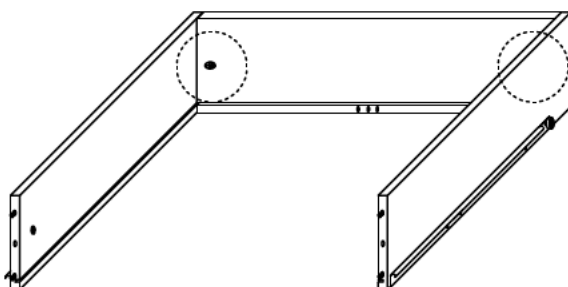
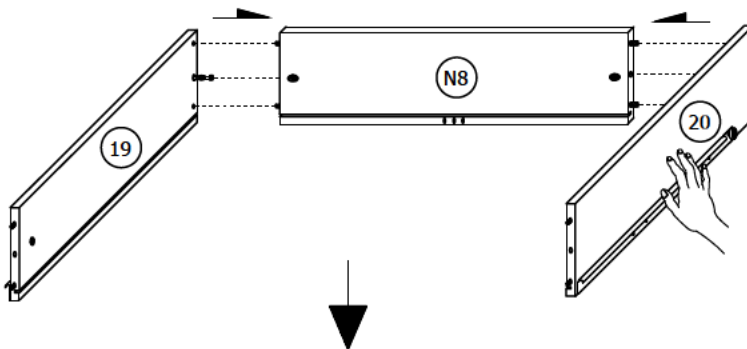


Assembled become like this



STEP 16

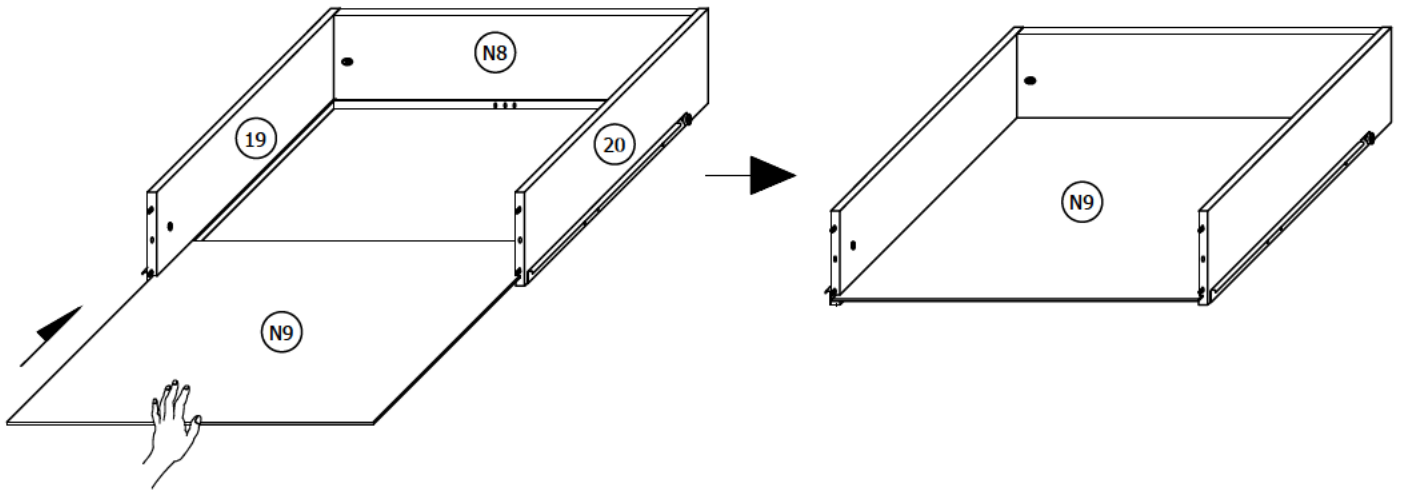
Combine the (19) and (20) to the (N8) . Then tighten the 2 pieces (A)-(pre-insert in step 14) as shown. This step needs to be done twice.



80070-011 NS ASSEMBLY INSTRUCTION

STEP 17

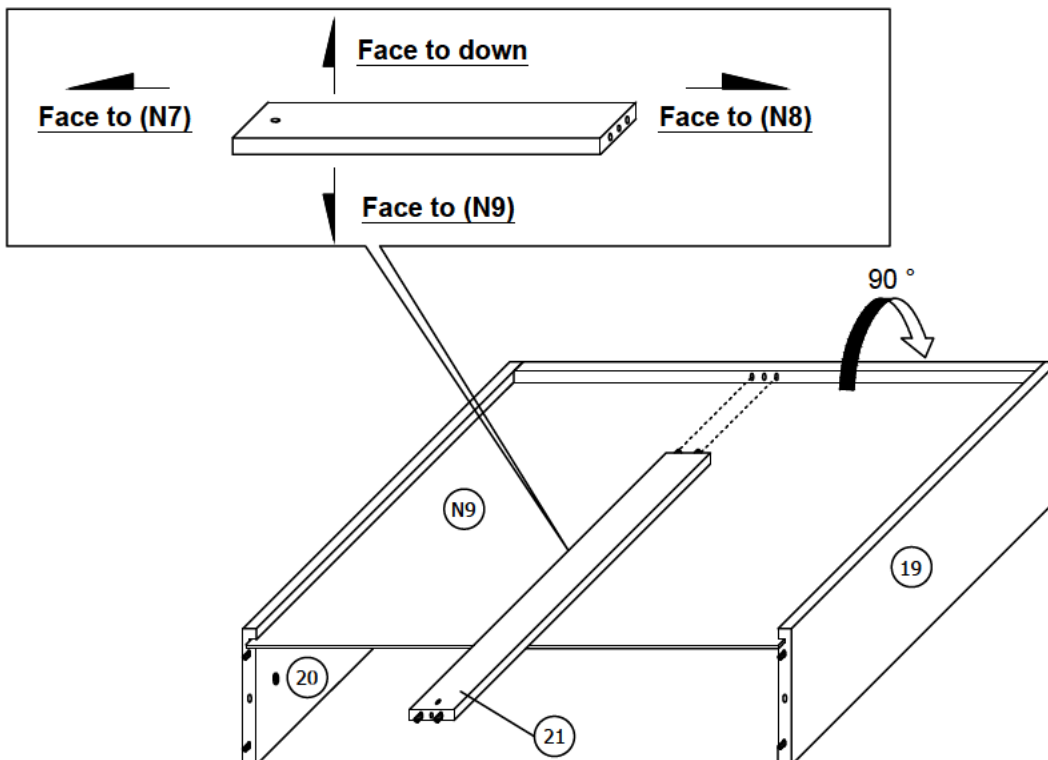
Put the (N9) into the gap of (19),(20) and (N8) as shown. This step needs to be **done twice**.



STEP 18

Check the position then combine the (21) to the (N8) as shown. This step needs to be **done twice**.

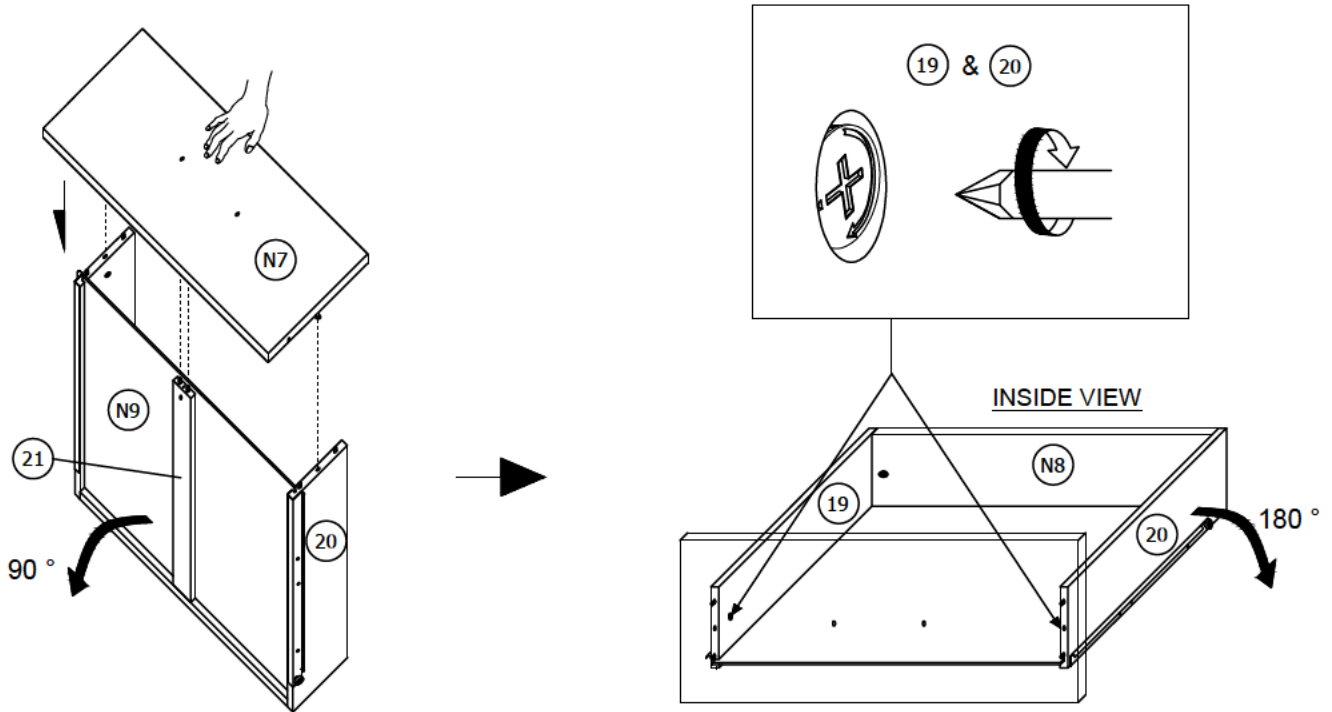
Attention : Please check the direction of item (21) before start doing this step.



80070-011 NS ASSEMBLY INSTRUCTION

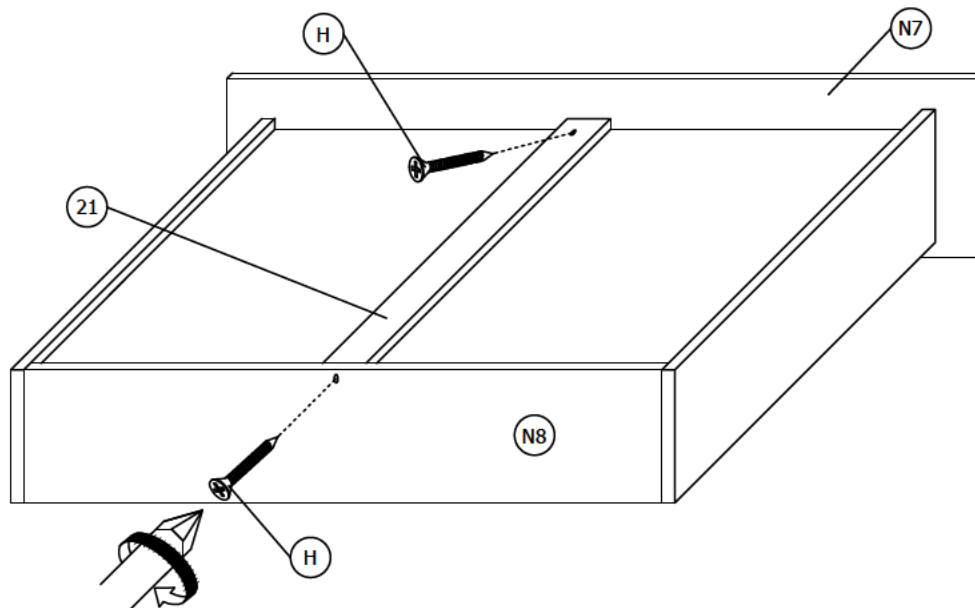
STEP 19

Combine the (N7) to the drawer frame. Then tighten the 2 pieces (A)-(pre-insert in step 12 and 13) as shown. This step needs to be **done twice**.



STEP 20

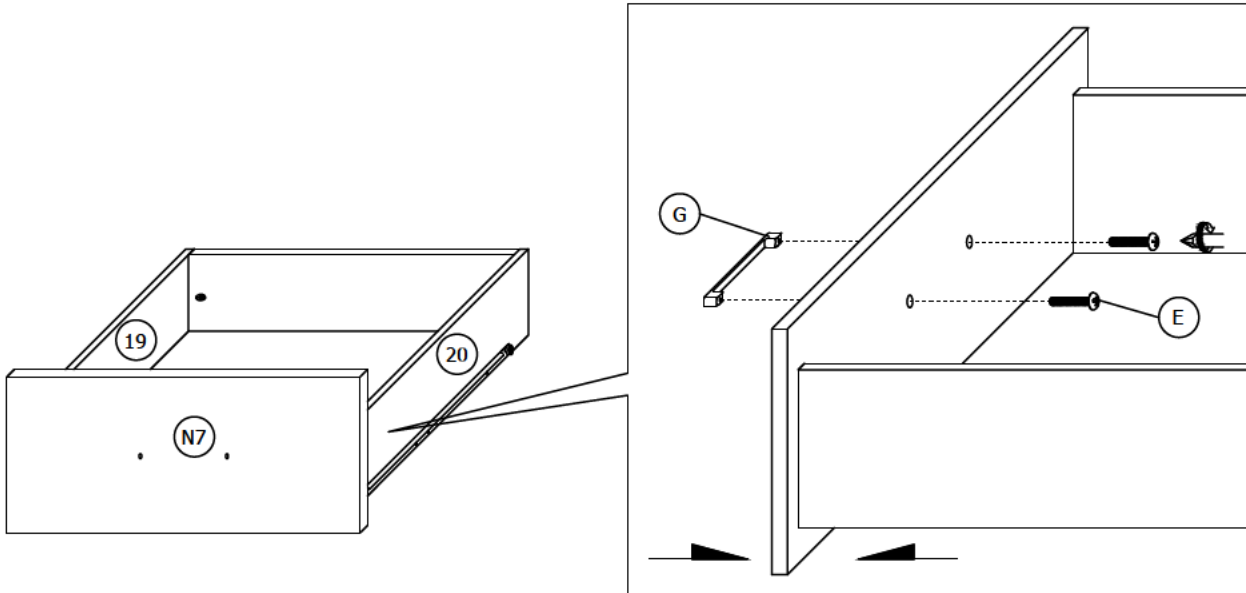
Insert 1 piece (H) to the (N8) and (21) as shown. This step needs to be **done twice**.



80070-011 NS ASSEMBLY INSTRUCTION

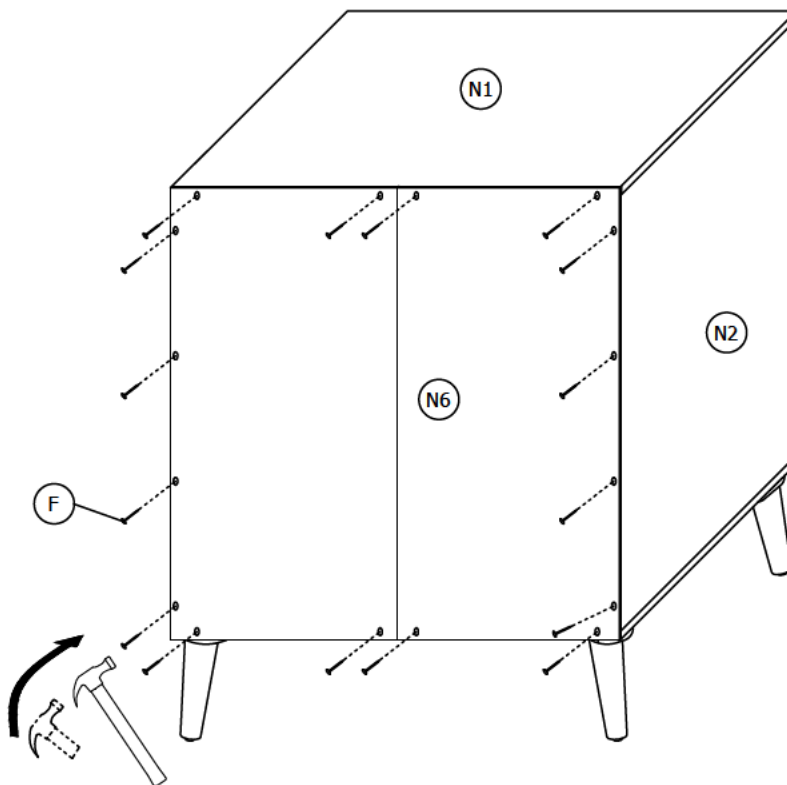
STEP 21

Insert 2 pieces (E) fix the (G) as shown. **This step needs to be done twice.**



STEP 22

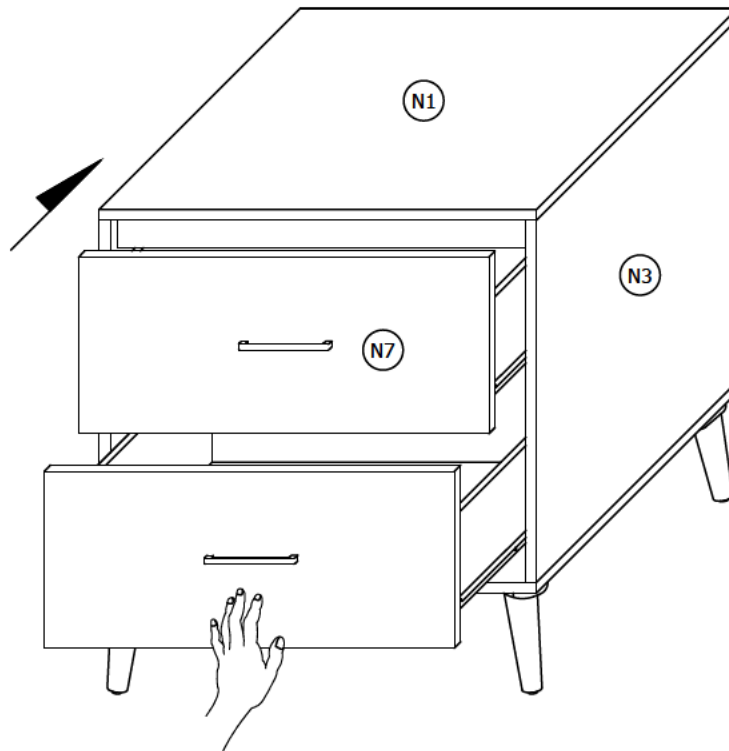
Insert the 16 pieces (F) to fix the (N6) as shown.



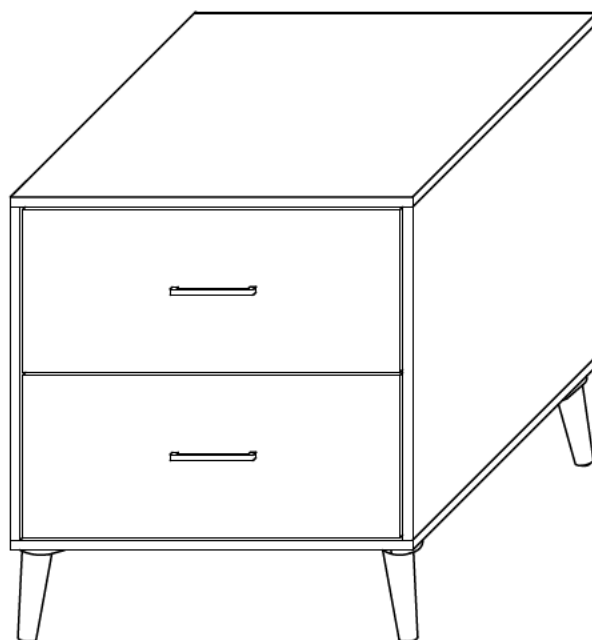
80070-011 NS ASSEMBLY INSTRUCTION

STEP 23

Align the position then push the 2 pieces drawer to inside exactly by your hand as shown.



STEP 24



ASSEMBLY COMPLETED