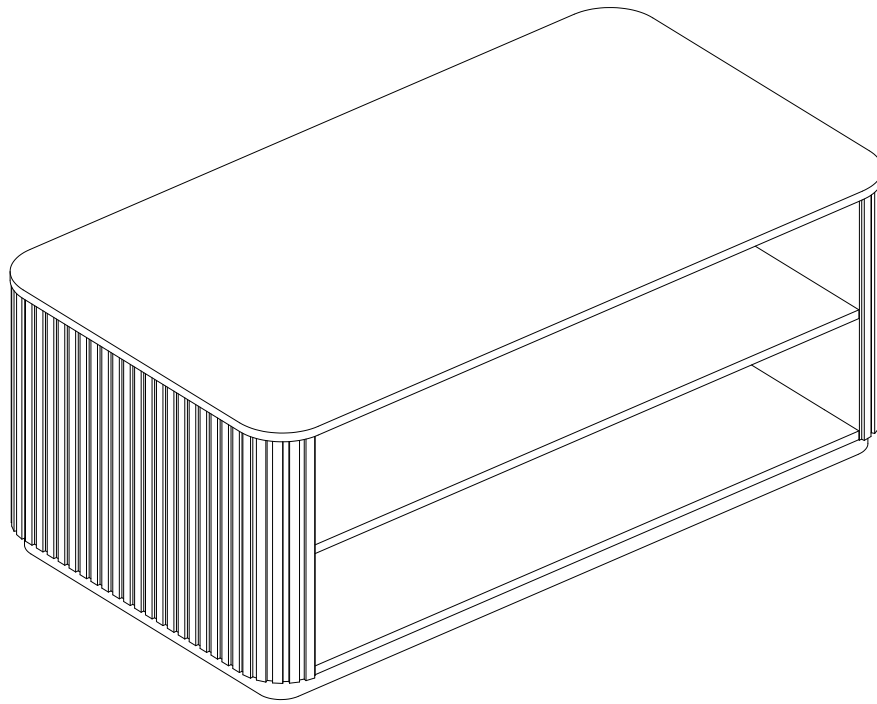


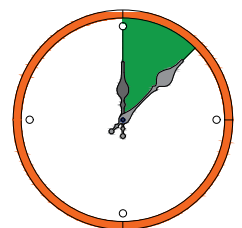
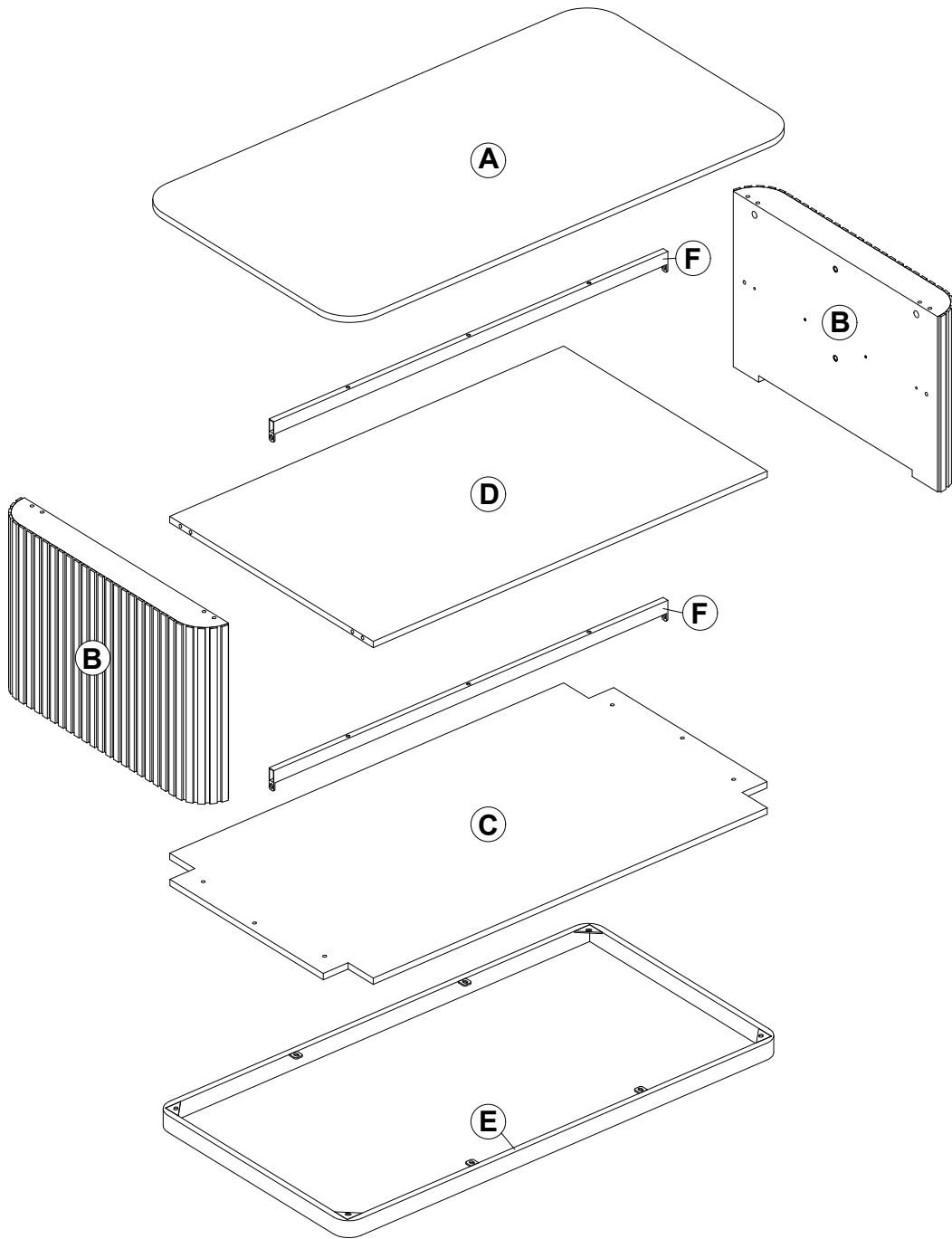
# Owner Manual



Thank you for purchasing this Coffee Table.

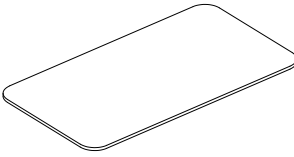
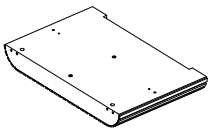
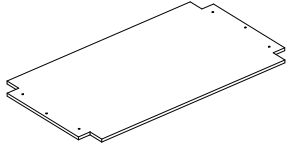
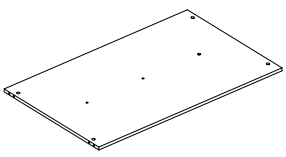
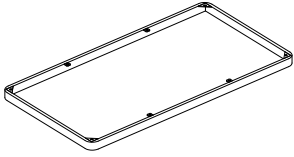
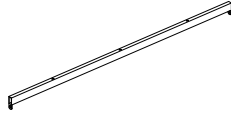
Please read the instructions and warnings carefully before use, to ensure safe and satisfactory operation of this product, we are committed to making great products possible. From our in-house Design Team, to our Buyers, we work together to bring great designs to life. Our expert Product Technologists work collaboratively with our buyers and suppliers to assure the legality, safety and quality of the product we sell. We are all committed to designing and developing products to the highest industry standards. We hope you are happy with your product and welcome any feedback or comments you may have.

# Exploded Diagram

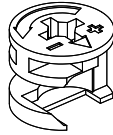
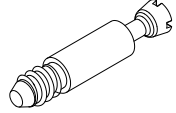
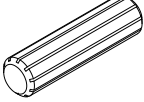
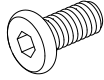
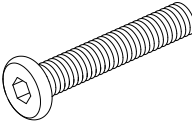
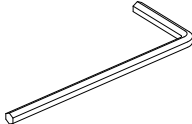
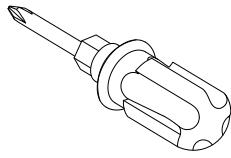


Around **30 min**

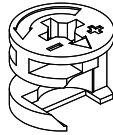
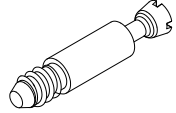
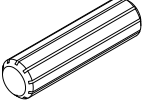
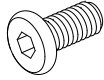
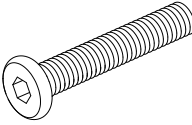
## PARTS LIST

<b>A</b> <span style="float: right;"><b>x 1</b></span>  Top Panel	<b>B</b> <span style="float: right;"><b>x 2</b></span>  Side Panel	<b>C</b> <span style="float: right;"><b>x 1</b></span>  Bottom Panel	<b>D</b> <span style="float: right;"><b>x 1</b></span>  Shelf Panel
<b>E</b> <span style="float: right;"><b>x 1</b></span>  Metal Frame	<b>F</b> <span style="float: right;"><b>x 2</b></span>  Supporting Tube		

## HARDWARE LIST



<b>1</b> <span style="float: right;"><b>x 8</b></span>  Cam Lock	<b>2</b> <span style="float: right;"><b>x 8</b></span>  Cam Bolt	<b>3</b> <span style="float: right;"><b>x 8</b></span>  Wood Dowel Ø8x30mm	<b>4</b> <span style="float: right;"><b>x 12</b></span>  Bolt M6x12mm
<b>5</b> <span style="float: right;"><b>x12</b></span>  Bolt M6x40mm	<b>6</b> <span style="float: right;"><b>x 1</b></span>  Allen Key M4	<b>7</b> <span style="float: right;"><b>x 1</b></span>  Screwdriver	

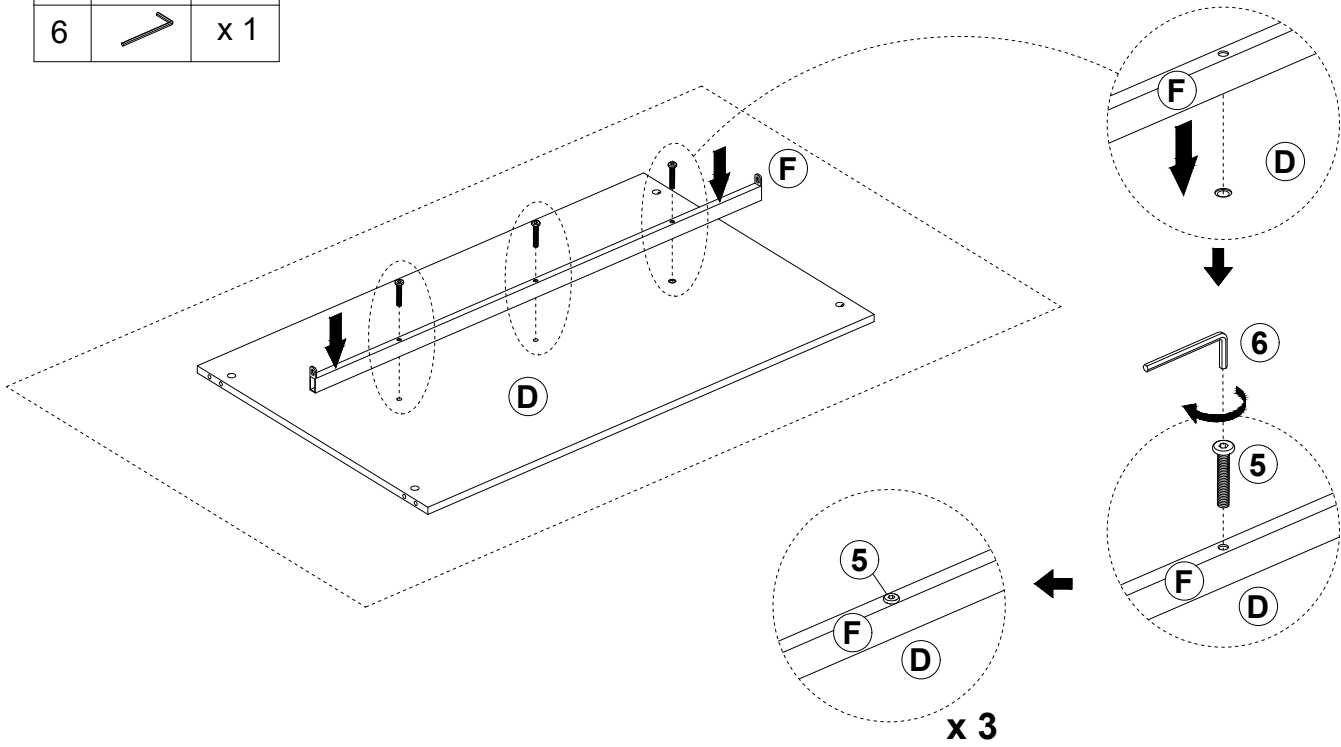
## SPARE LIST

<b>1</b> <span style="float: right;"><b>x 1</b></span>  Cam Lock	<b>2</b> <span style="float: right;"><b>x 1</b></span>  Cam Bolt	<b>3</b> <span style="float: right;"><b>x 1</b></span>  Wood Dowel Ø8x30mm	<b>4</b> <span style="float: right;"><b>x 1</b></span>  Bolt M6x12mm
<b>5</b> <span style="float: right;"><b>x 1</b></span>  Bolt M6x40mm			

NOTE: Should be assembled on soft surface to keep balance.


## STEP 1

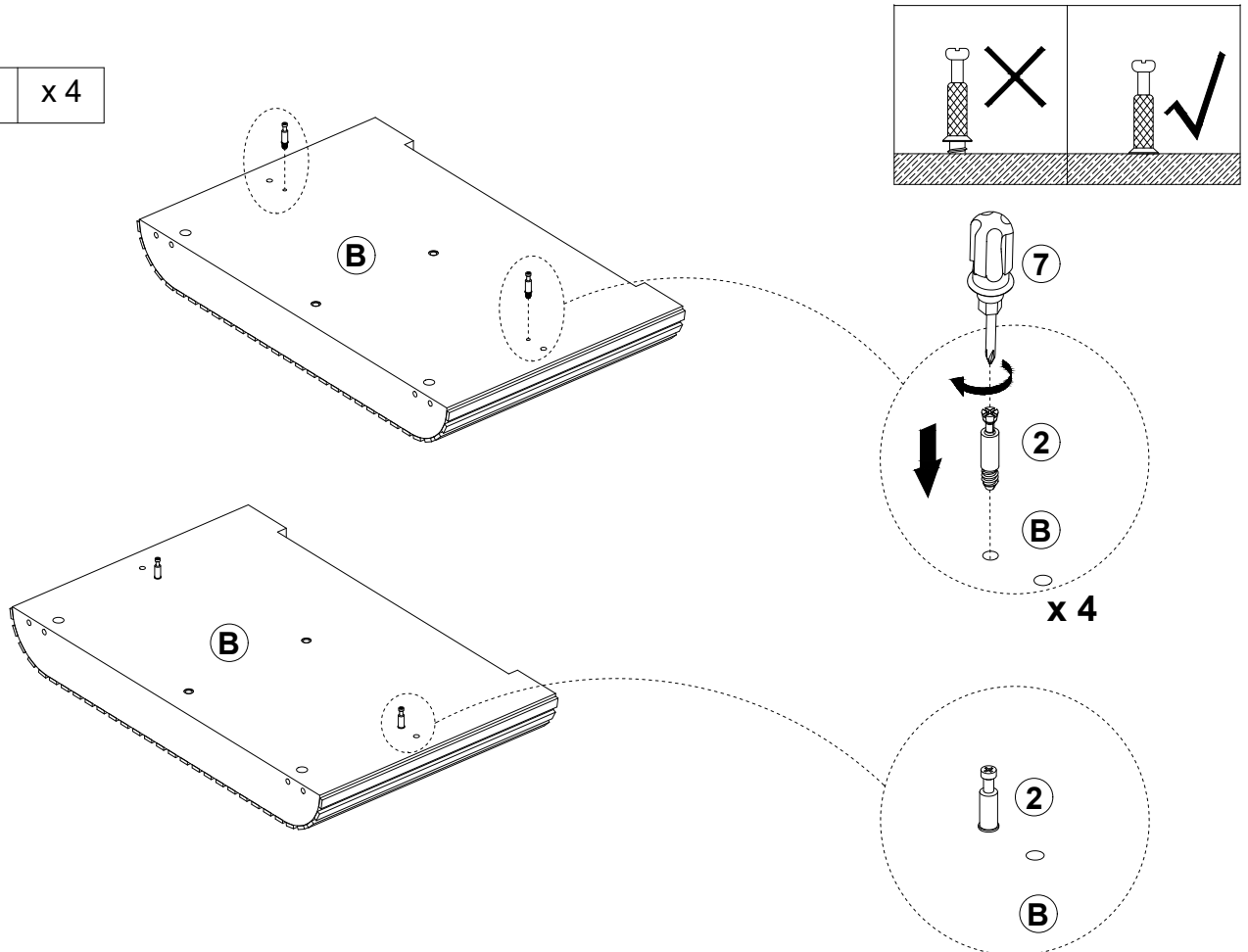
5		x 3
6		x 1



Install supporting tube (F) onto shelf panel (D) using bolt (5) and fully tighten the bolt with Allen key(6).




## STEP 2

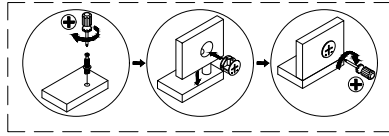
2		x 4
---	---	-----



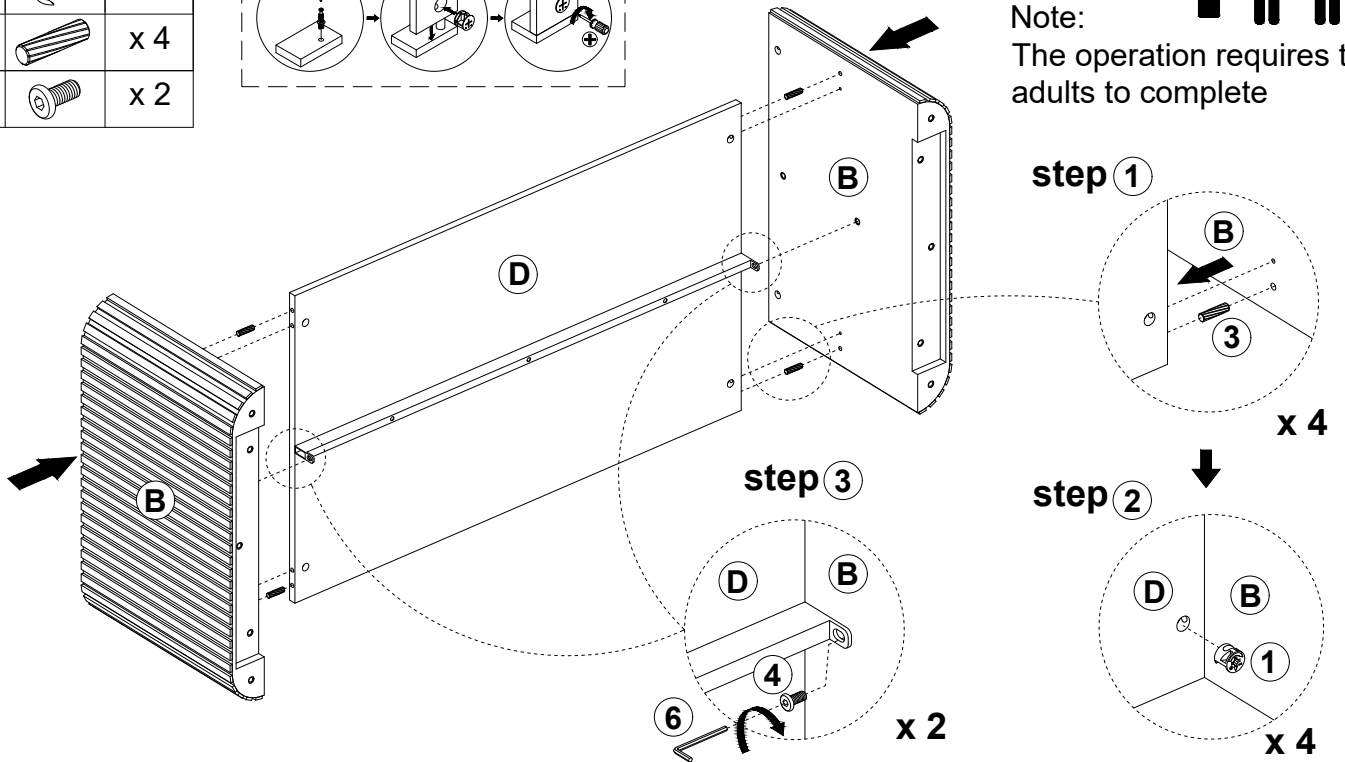
Insert cam bolts (2) into side panel (B) and tighten with a screwdriver (7) as shown.

### STEP 3

1		x 4
3		x 4
4		x 2





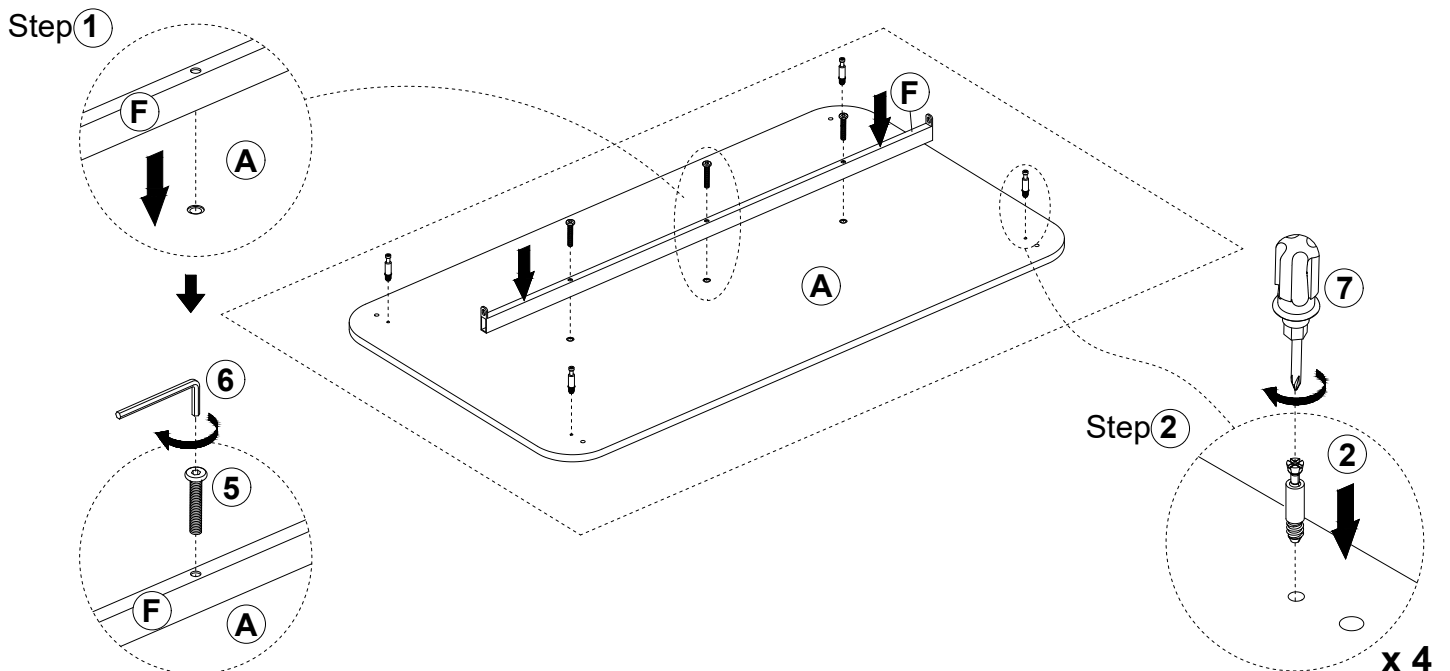
Note:  
The operation requires two adults to complete



1. Insert wood dowels (3) into shelf panel (D) connect with side panel (B) and secure with cam lock (1).
2. Install supporting tube (F) of shelf panel (D) onto the side panel (B) using bolt (4) and fully tighten the bolt (4) with Allen key (6).




### STEP 4

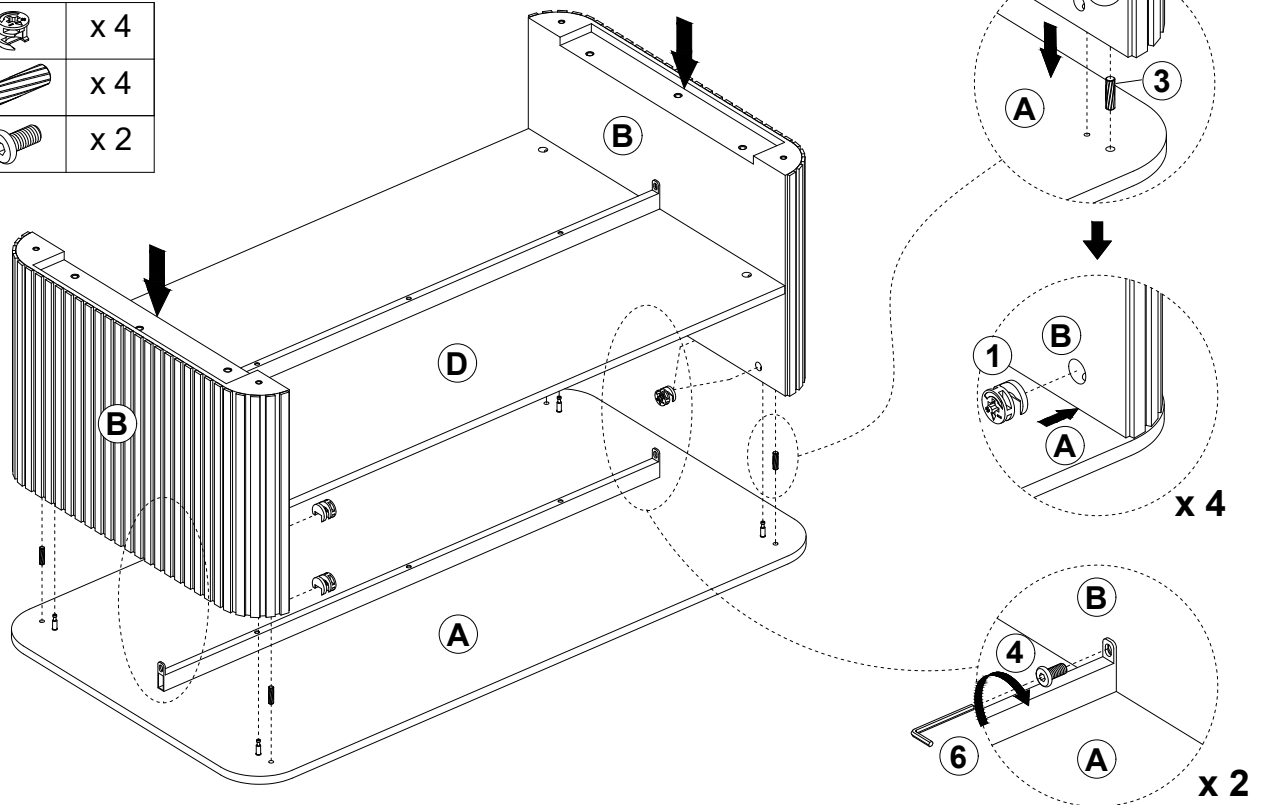
2		x 4
5		x 3



1. Install supporting tube (F) onto top panel (A) using bolt (5) and fully tighten the bolt with Allen key (6).
2. Install cam bolts (2) into top panel (A) and tighten with screwdriver as shown.


## STEP 5

1		x 4
3		x 4
4		x 2



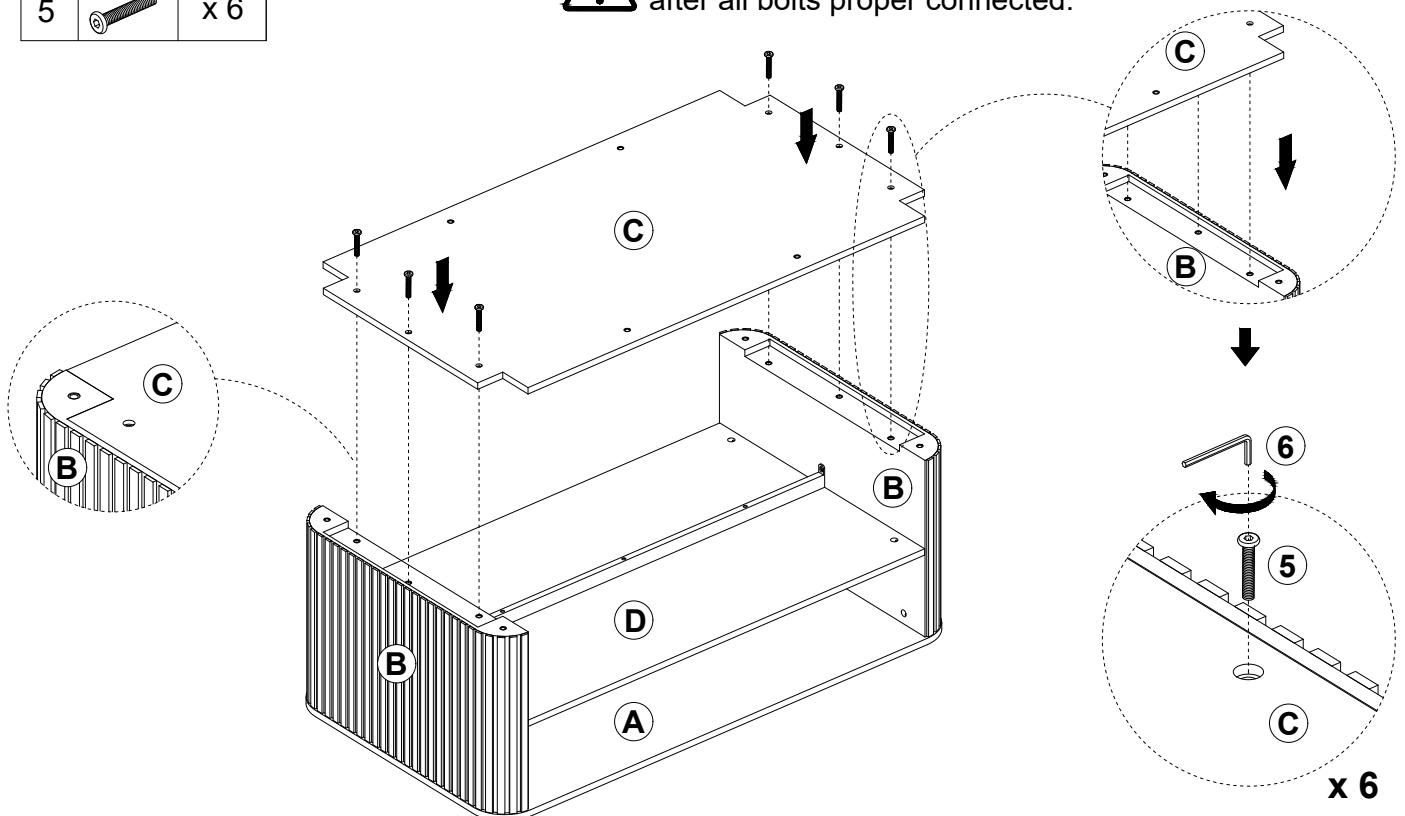
Insert top panel (A) into side panel (B) connect with wood dowels (3), and secure with cam lock (1). Install supporting tube (F) onto side panel (B) using bolt (4) and fully tighten the bolt with Allen key(6).

## STEP 6

5		x 6
---	---	-----

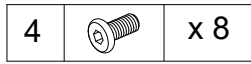


Note: Fully tighten the bolts in sequence after all bolts proper connected.

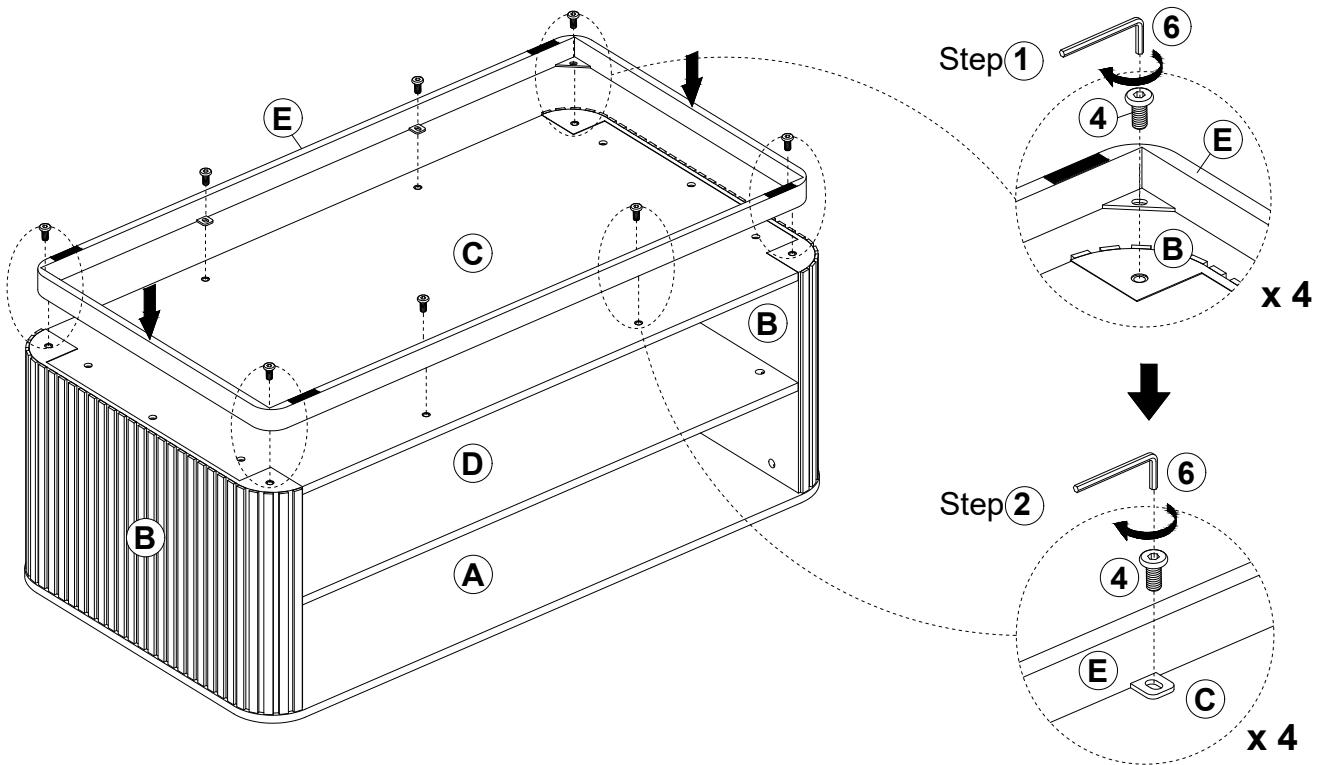


Install bottom panel (C) onto side panel (B) using bolt (5) and fully tighten the bolt with Allen key(6).

## STEP 7

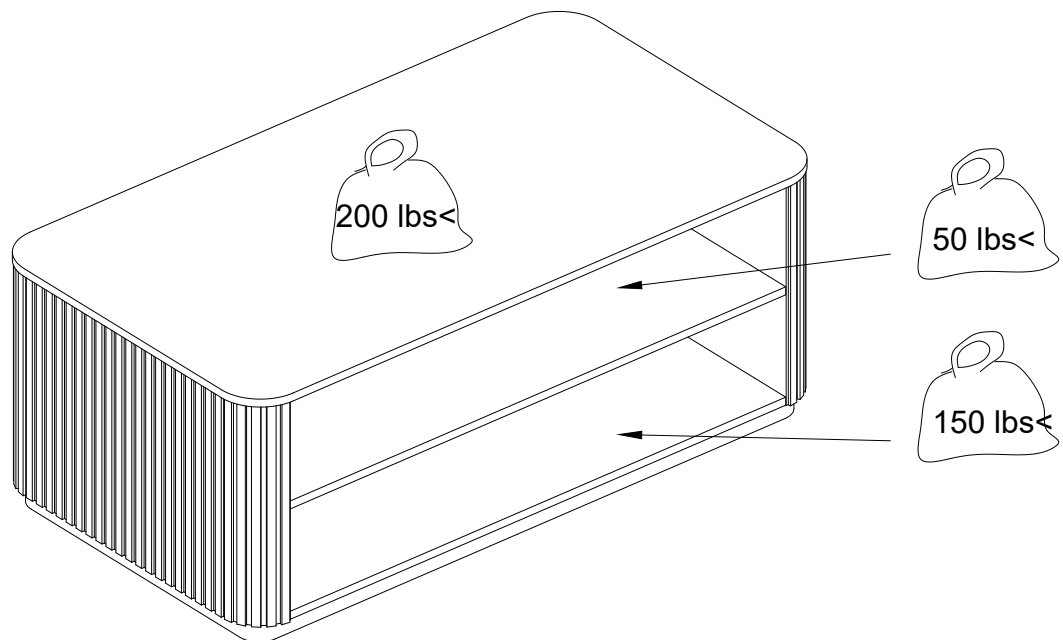


Note: Fully tighten the bolts in sequence after all bolts proper connected.



Install metal frame (E) onto side panel (B) and bottom panel (C) using bolt (4) and fully tighten the bolt with Allen key(6).

## STEP 8



## MAINTENANCE AND WARNING



- Keep furniture away from heat.
- Do not clean furniture with harsh cleansers or polish. Do not use detergents, Solvents, abrasives, spray packs or leather cleaner. Use non-color mild soap with warm water clean spills(Mix 1:10 soap to water)
- Do not place furniture under direct sunlight, material will possibly fade over time.
- Do not use on site dry Cleaning machine.
- Children should not climb or jump on the furniture.
- Do not write on furniture without a padded barrier to protect the surface.
- Not for commercial use, For residential use only.
- The maximum load is 400 LBS.

## WARRANTY

We strive to offer high-quality products, and we also try our best to satisfy each and every customer that orders from us with product or service as needed. We provide 30 days warranty starting from the time you receive the item. Each customer must provide a record of their order such as the order number, or item receipt for any items that are out of the warranty period you may also still receive replacement parts by purchasing them with our company if they are available.

For return, please check the return policy with the retailer or market place you bought from. Appreciate your purchasing from us. Pop up your life by our furniture piece!