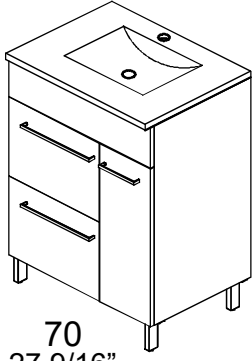
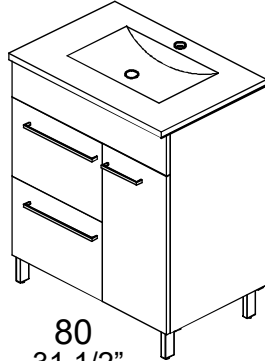


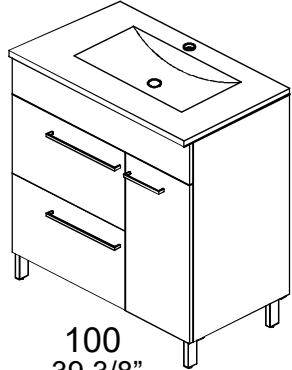
60
23 5/8"



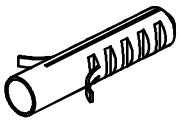
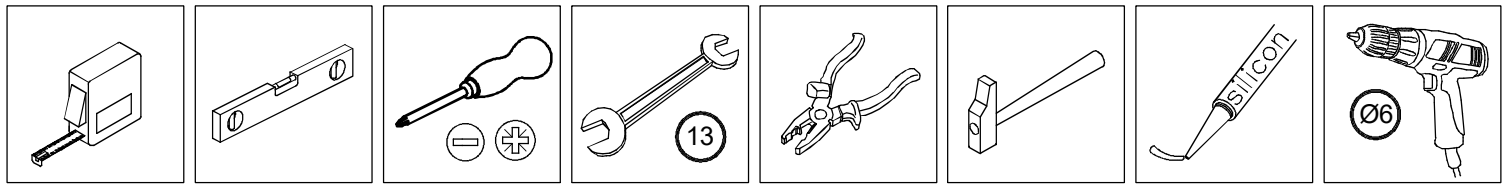
70
27 9/16"



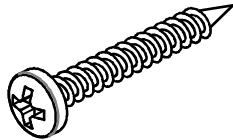
80
31 1/2"



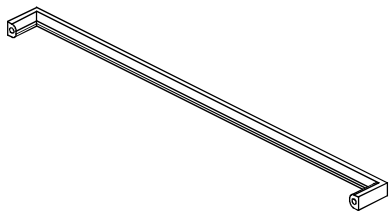
100
39 3/8"



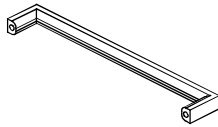
106784 / A x2



106784 / B x2



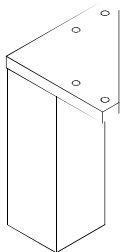
T-182



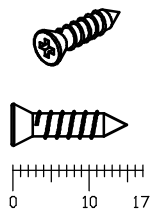
T-181



119942 ___x6

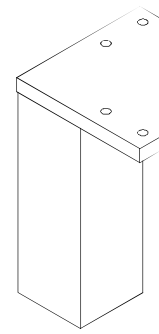
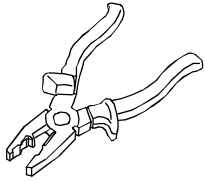
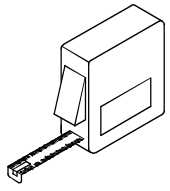
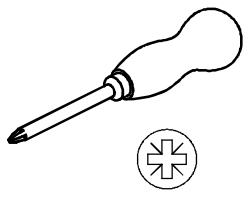


PAT-028 - / A ___x4



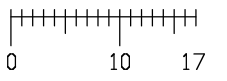
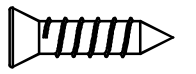
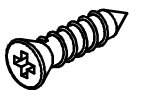
PAT-028 / B ___x16

01.



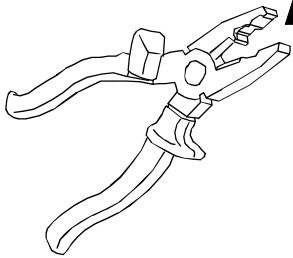
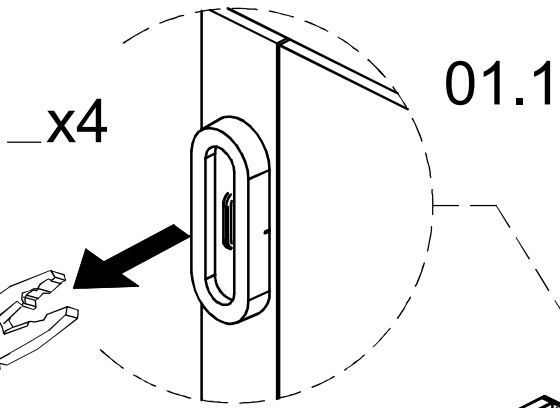
PAT-028 / A

___x4

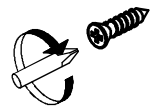
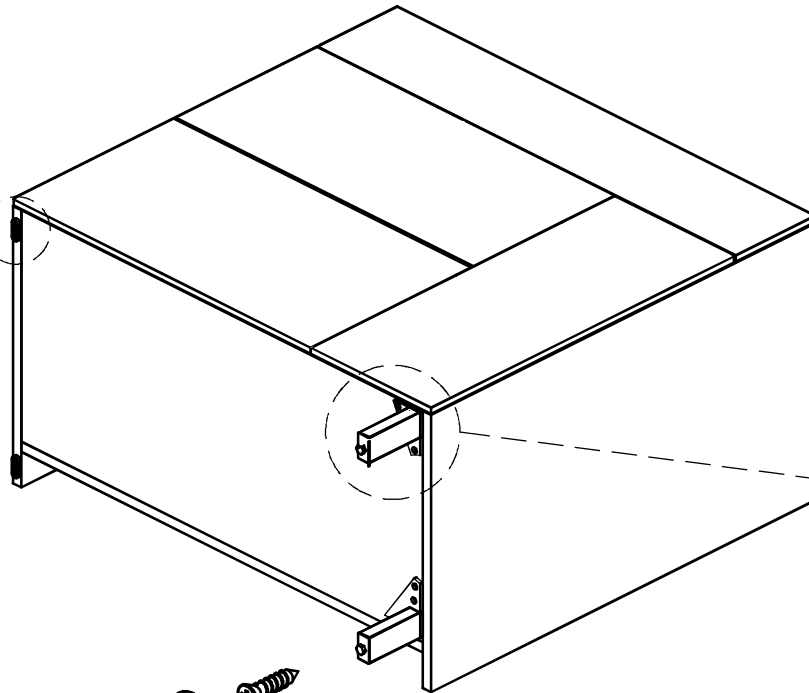
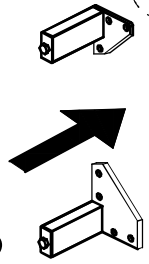


PAT-028 / B

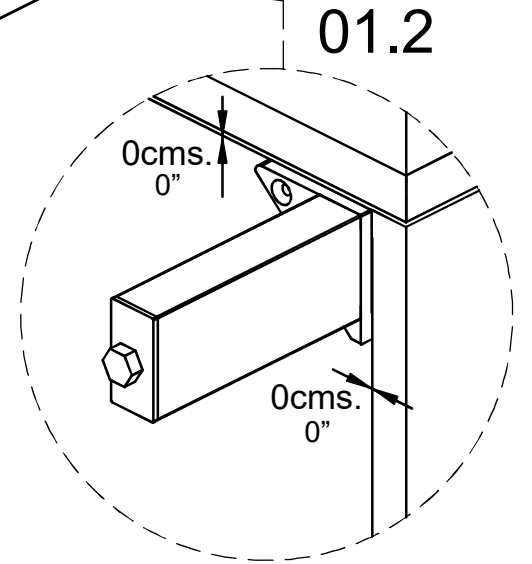
___x16



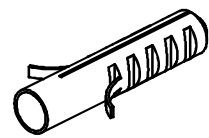
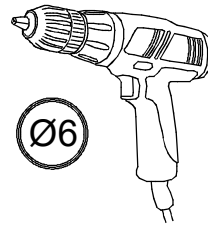
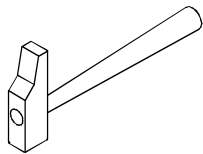
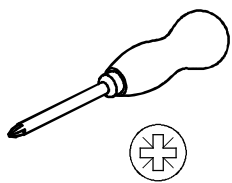
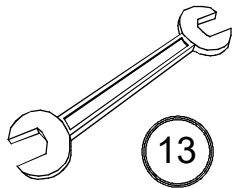
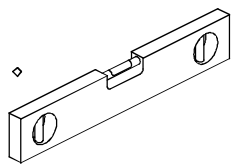
01.2
PAT-028 / A
___x4



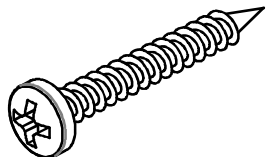
PAT-028 / B
___x16



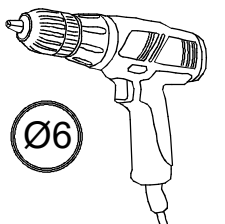
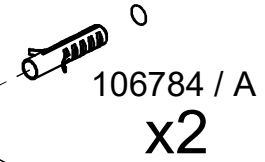
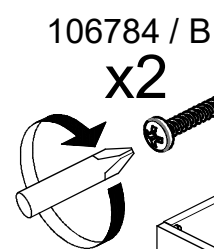
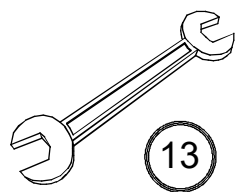
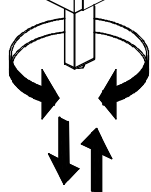
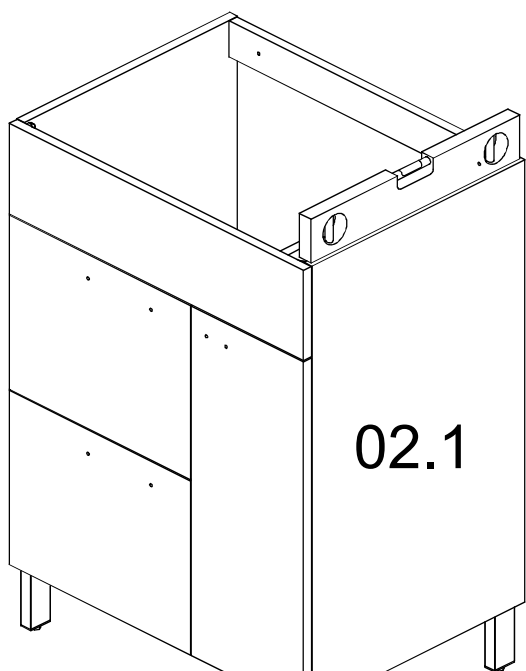
02.



106784 / A x2

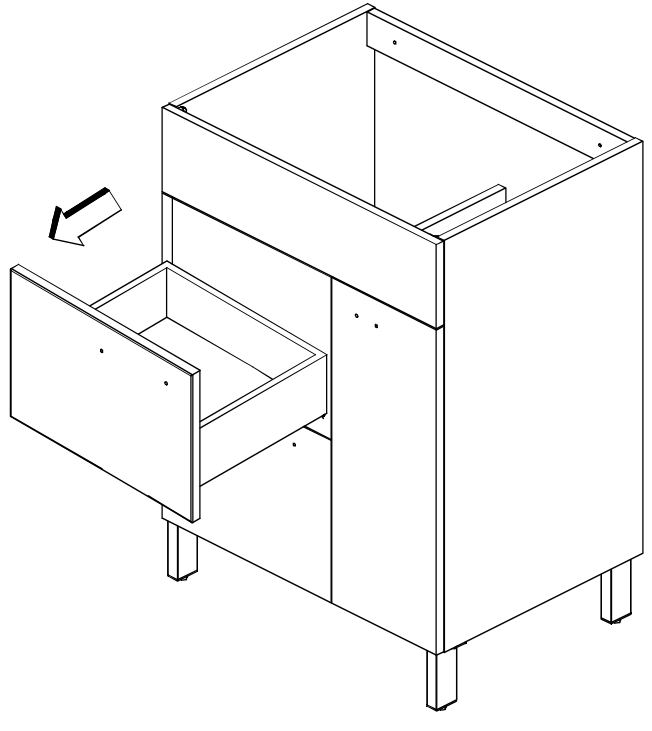


106784 / B x2



02.2

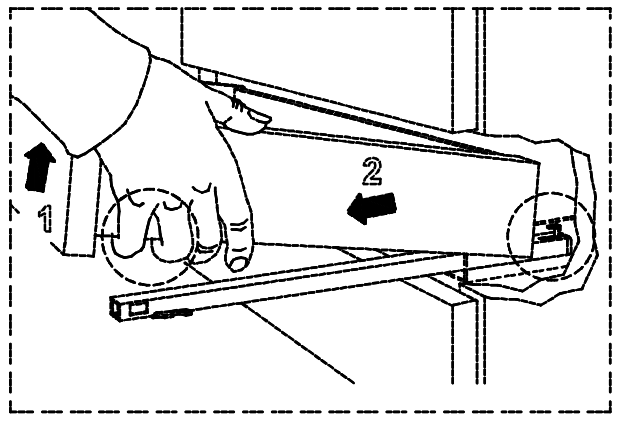
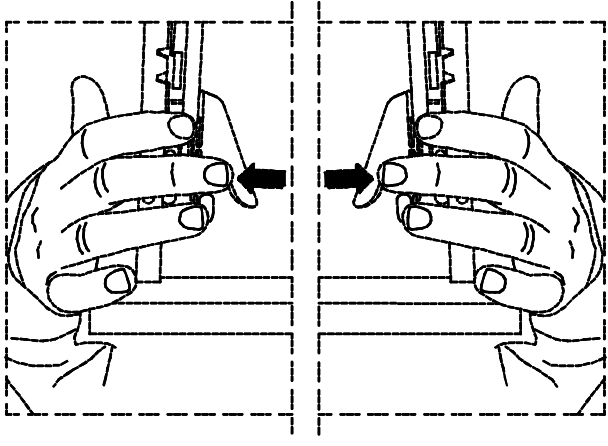
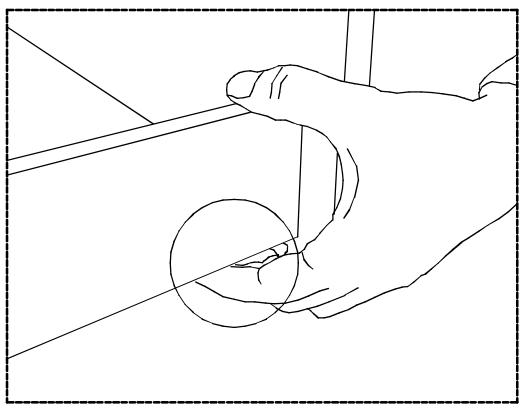
03.



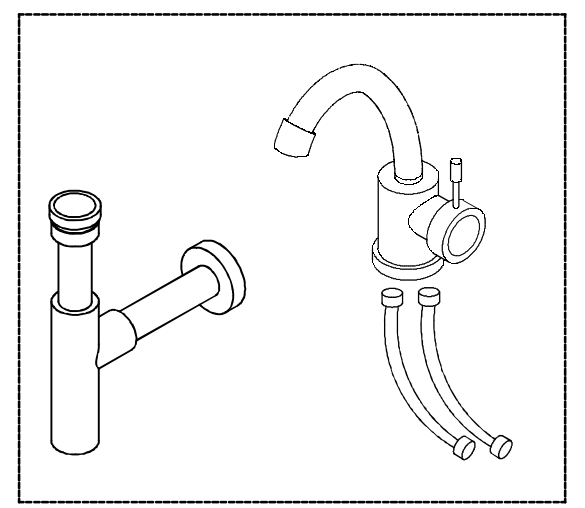
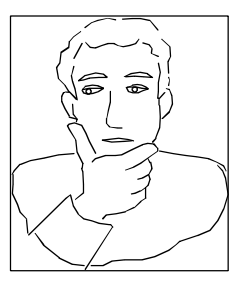
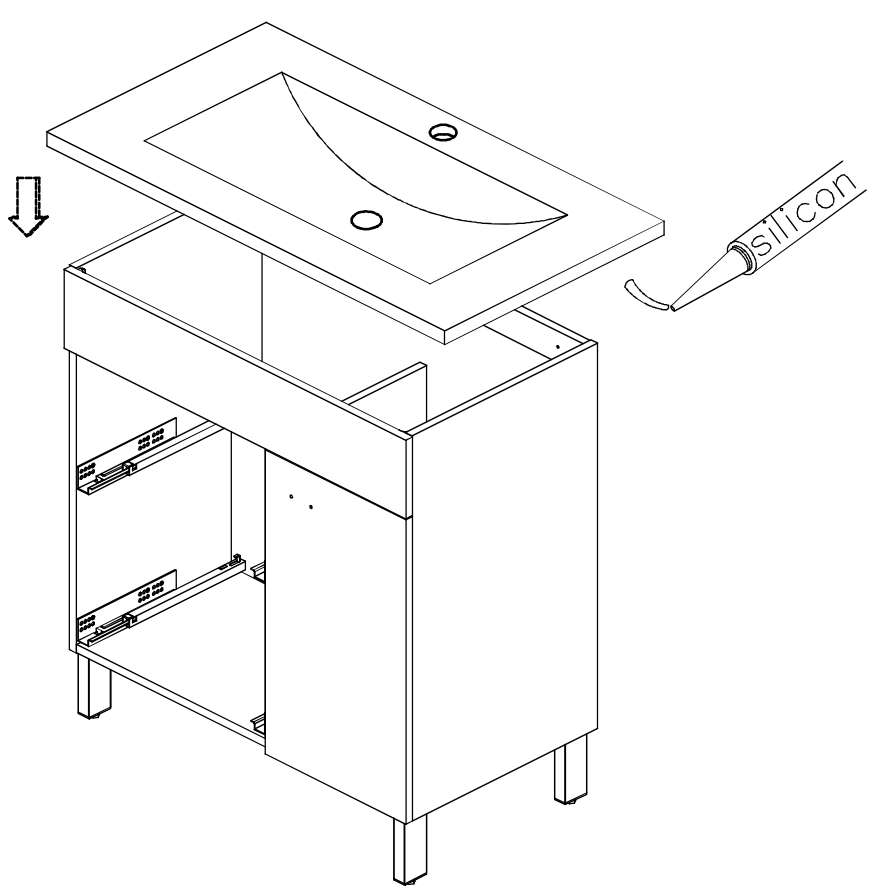
03-1.

03-2.

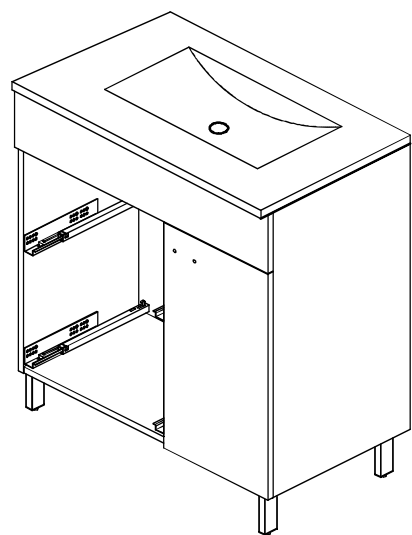
03-3.



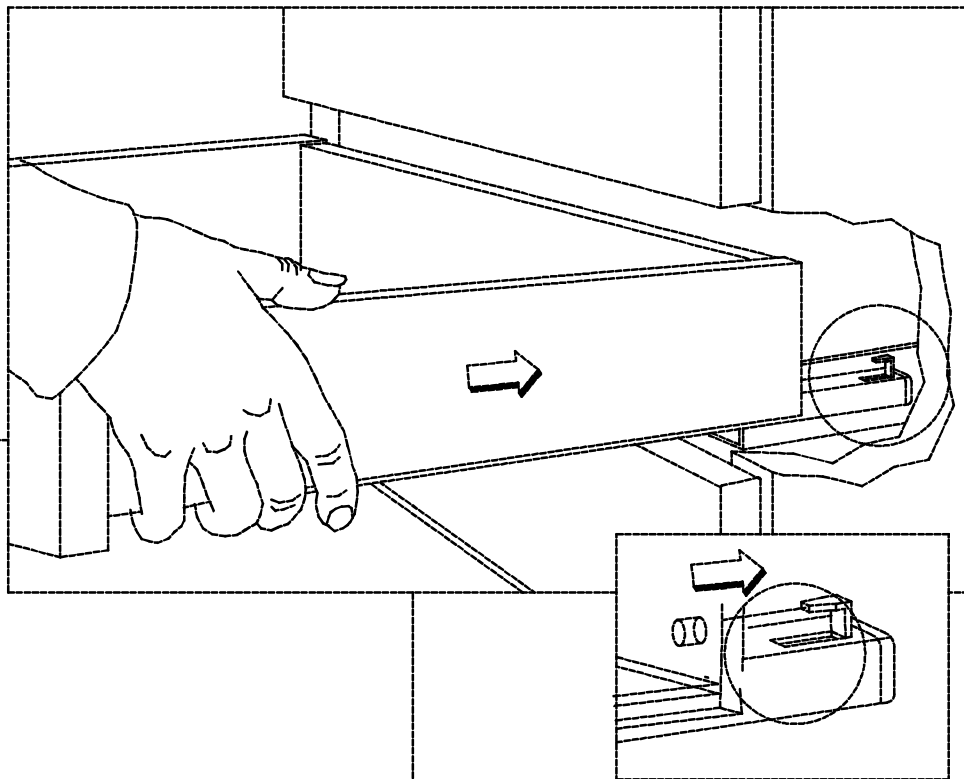
04.



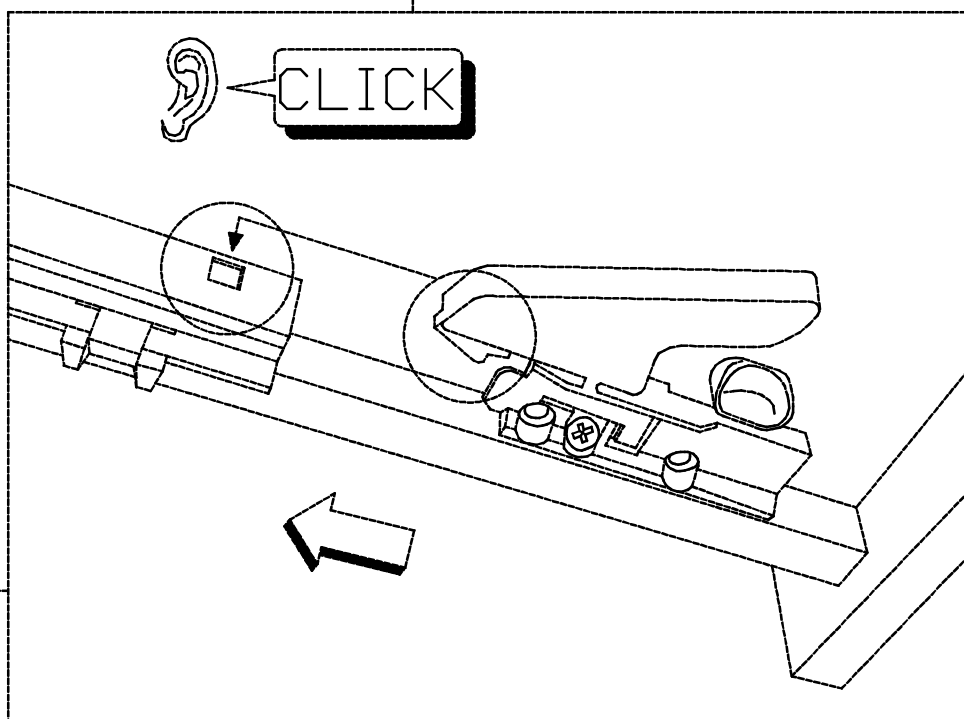
05.



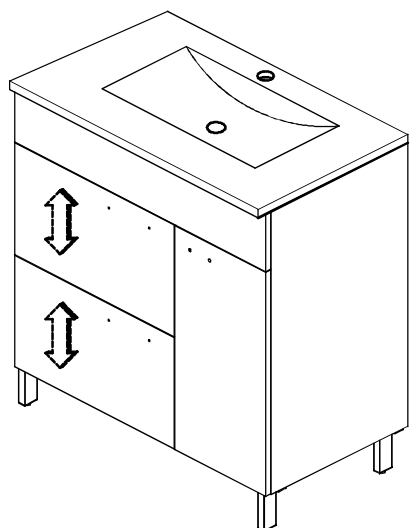
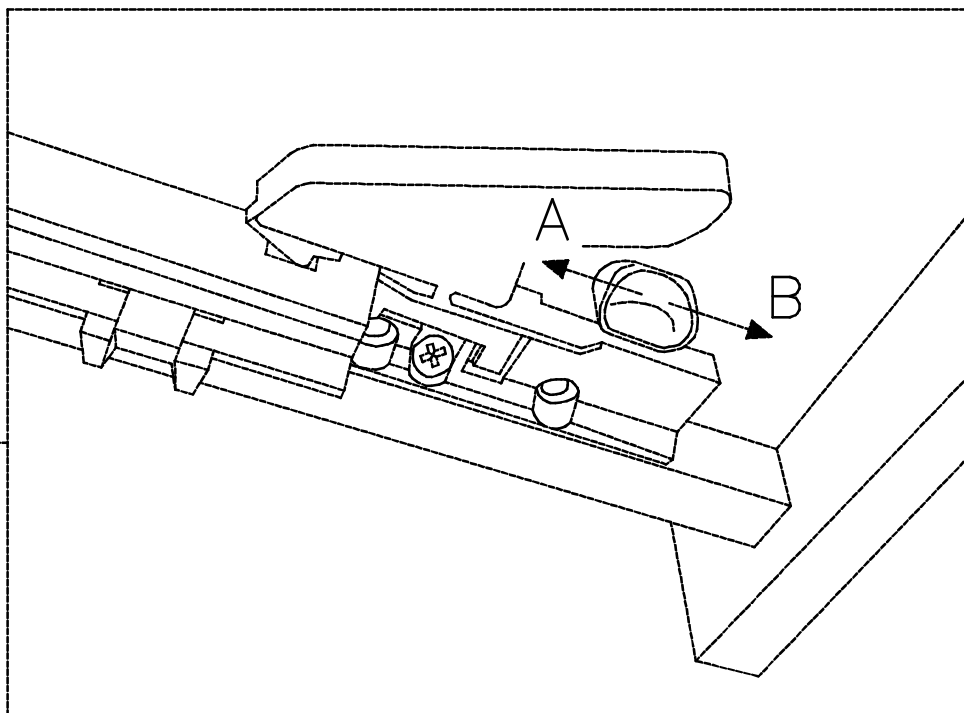
05-1.



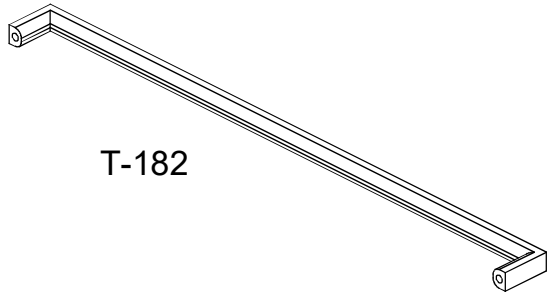
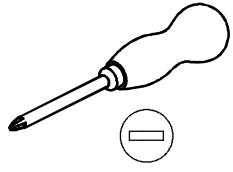
05-2.



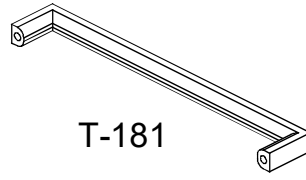
05-3.



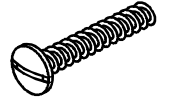
06.



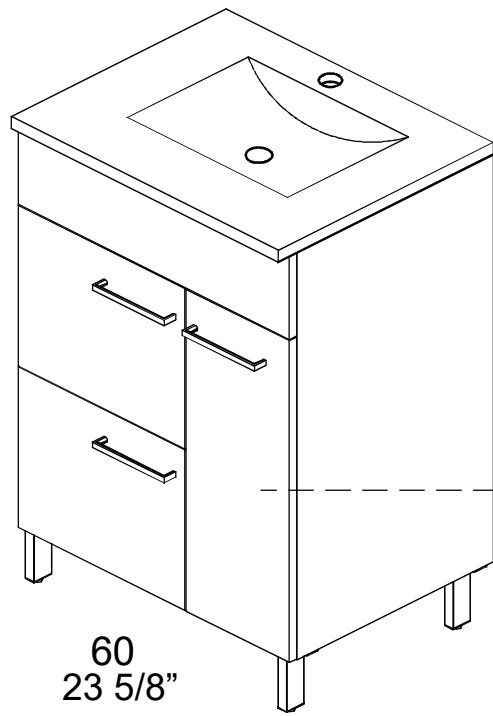
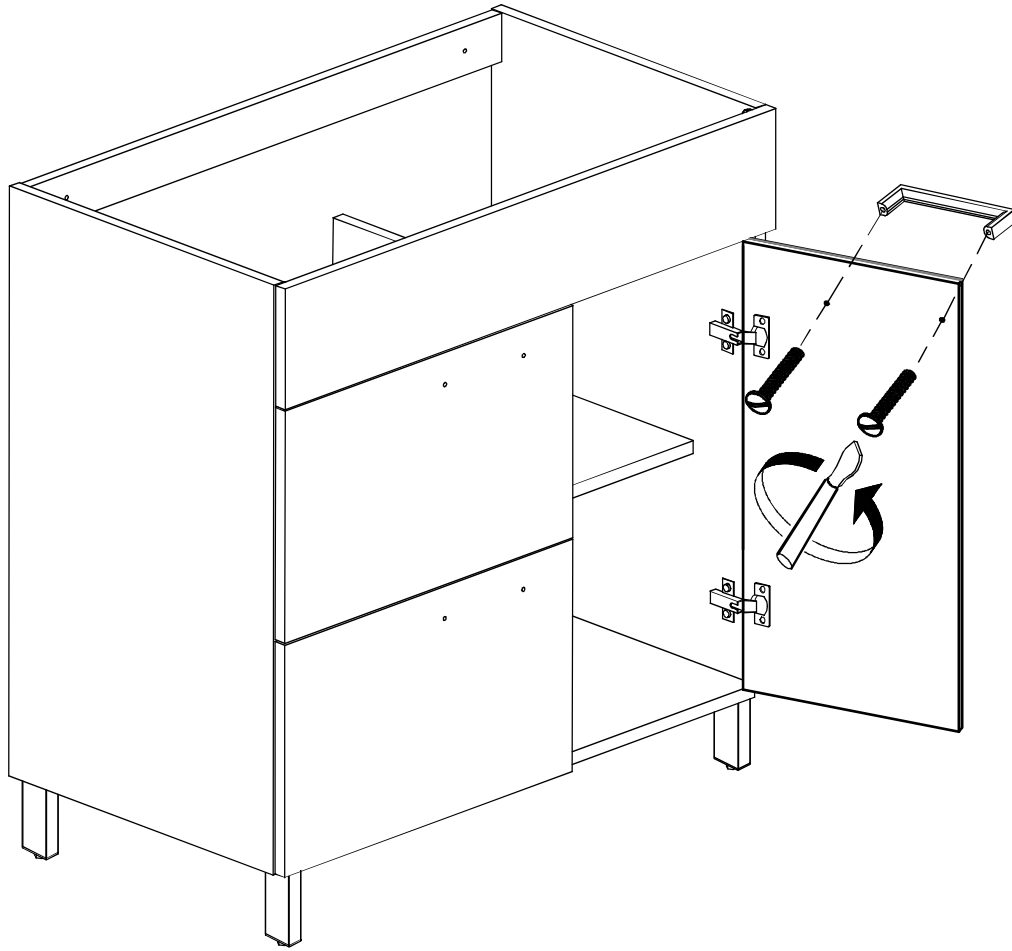
T-182



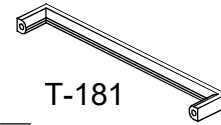
T-181



119942 x6

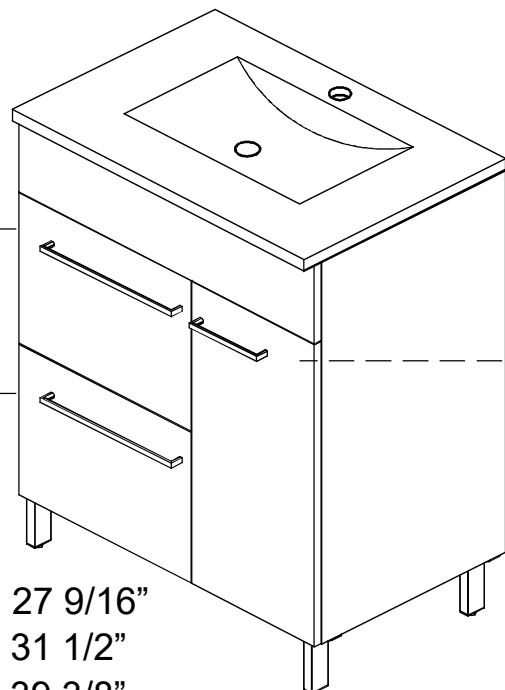


60
23 5/8"

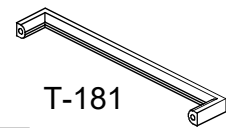


T-181

x3

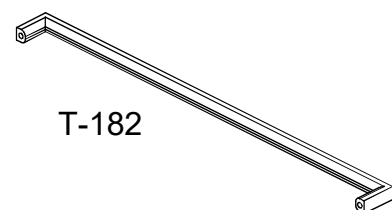


70 27 9/16"
80 31 1/2"
100 39 3/8"



T-181

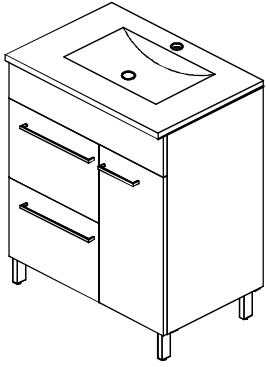
x1



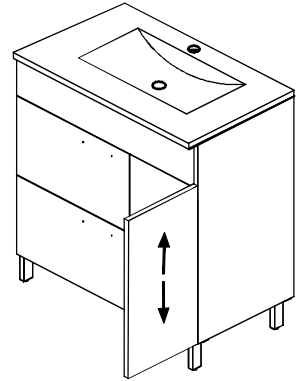
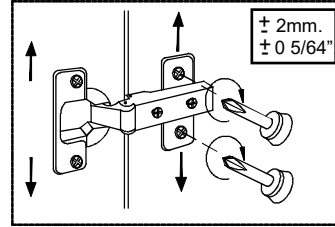
T-182

x2

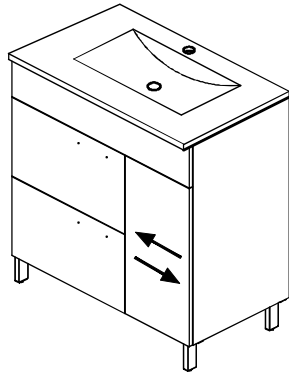
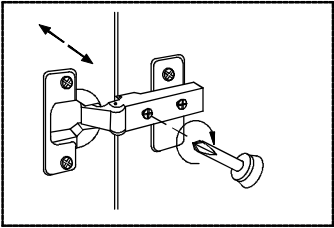
07.



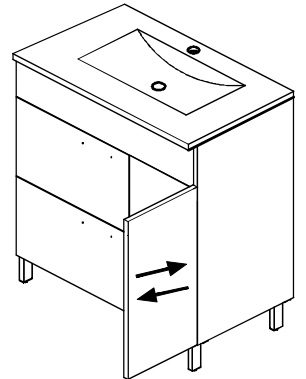
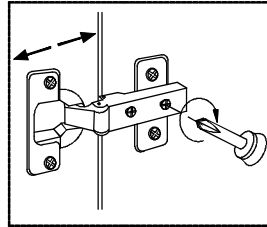
07-1



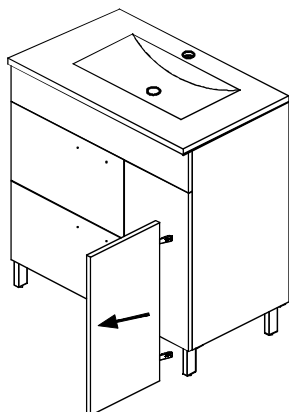
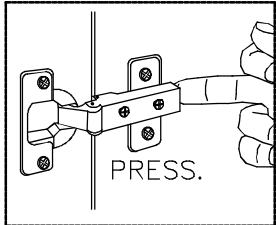
07-2



07-3



07-4



07-5

