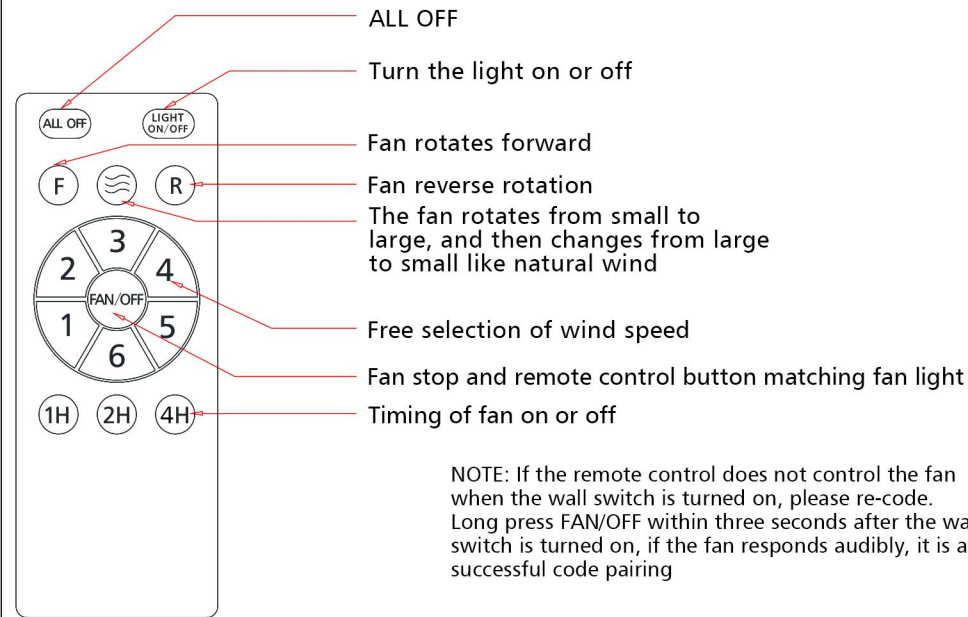
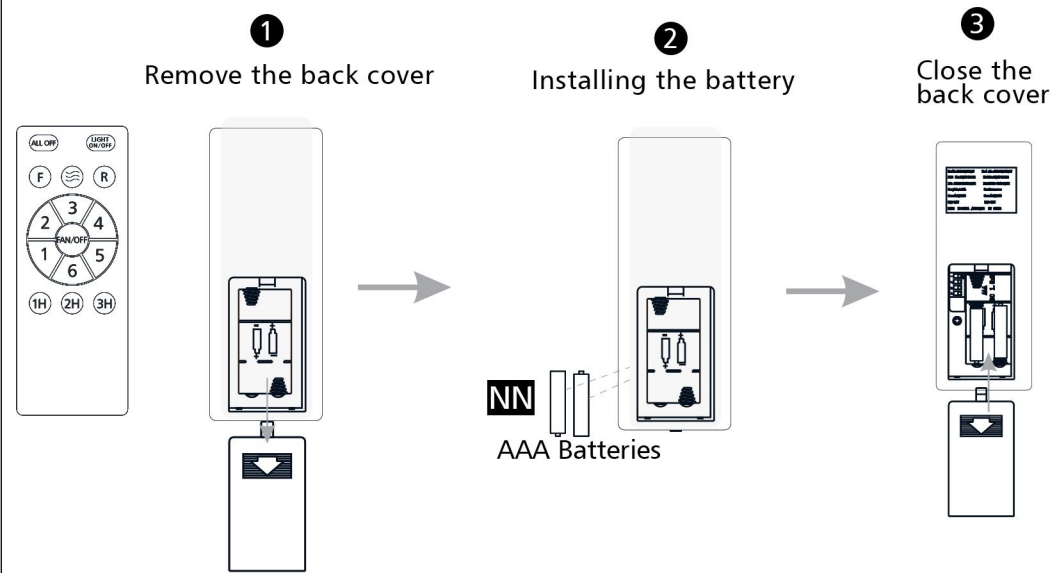


16 Remote Control Instruction



Your installation is now complete. Save this sheet for future

INSTALLATION GUIDE FOR MT60069

⚠ WARNINGS AND CAUTIONS

Released Date:2024-12

READ AND SAVE THESE INSTRUCTIONS

Please read and understand this entire manual before attempting to assemble, install or operate the product.

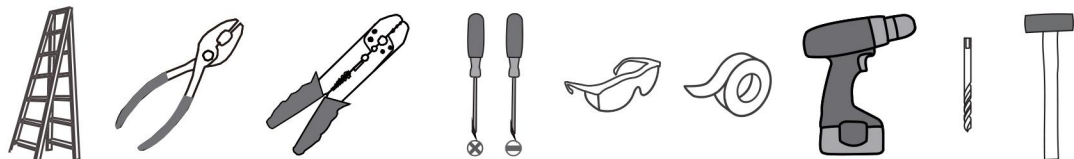
WARNING

- RISK OF ELECTRIC SHOCK - Before beginning installation, turn off electricity at the circuit breaker box or the main fuse box.
- RISK OF FIRE - Use bulbs specified by the markings and/or labels on the fixture.
- RISK OF PERSONAL INJURY - DO NOT bend the blades when installing the fan, or cleaning the fan. Do not insert foreign objects in between rotating fan blades.
- RISK OF FIRE, ELECTRIC SHOCK, OR PERSONAL INJURY - mount to outlet box marked and use mounting screws provided with the outlet box.
- All set screws must be checked, and re-tightened where necessary, before installation.
- After making the wire connections, the wires should be spread apart with the grounded conductor and the equipment-grounding conductor on one side of the outlet box and the ungrounded conductor on the other side of the outlet box.
- This unit weights 3.8kg(8.36 lbs).

CAUTION

- For your safety, read instructions completely before beginning installation.
- If in doubt about electrical installation, consult a licensed electrician.
- Disconnect fixture from the power source before replacing bulbs or cleaning. Make sure the bulbs are given sufficient time to cool before removing.

TOOLS REQUIRED

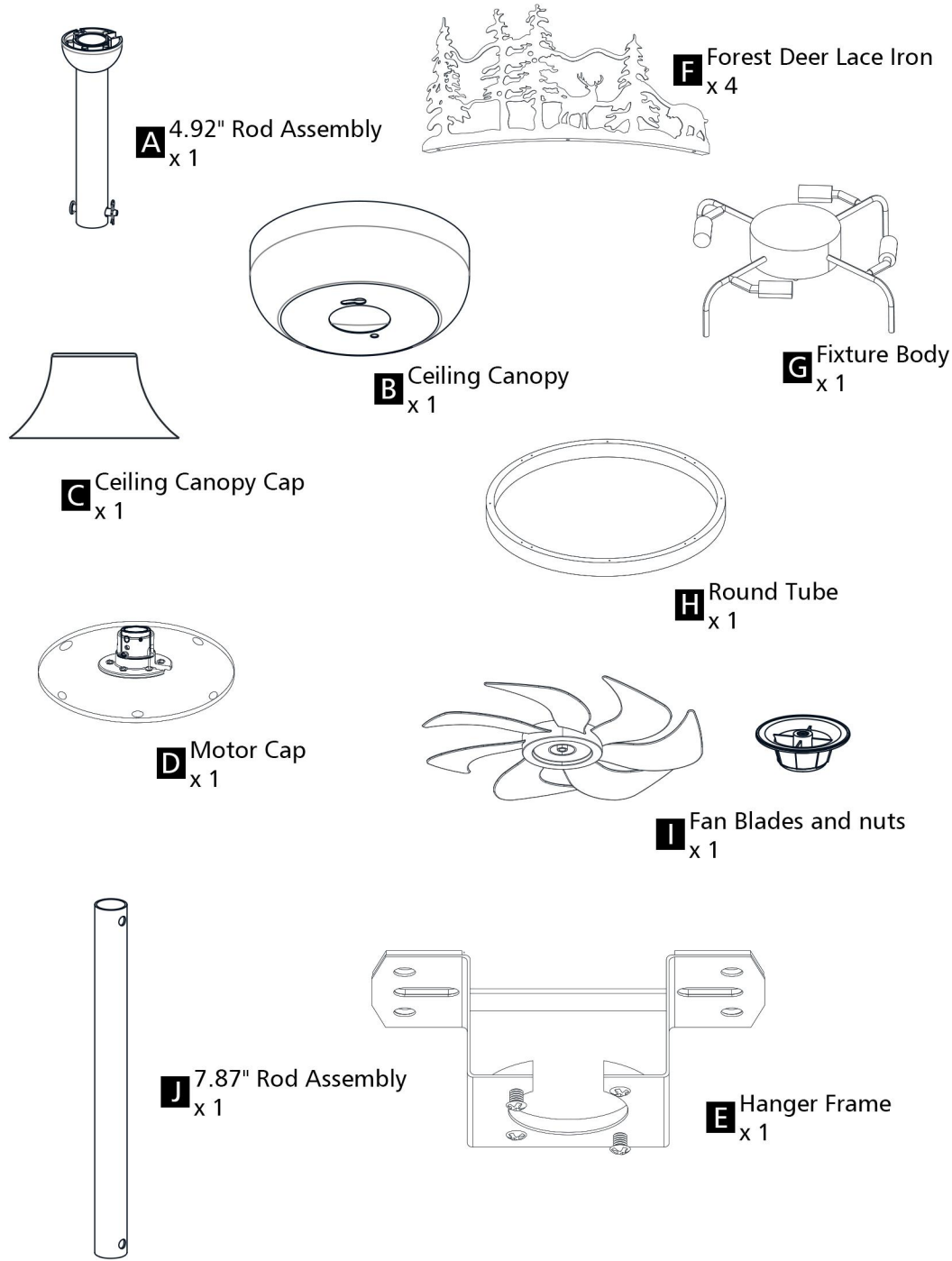


CARE AND MAINTENANCE

- Wipe clean using soft, dry cloth or static duster. Always avoid using harsh chemicals and abrasives to clean fixture as they may damage the finish.

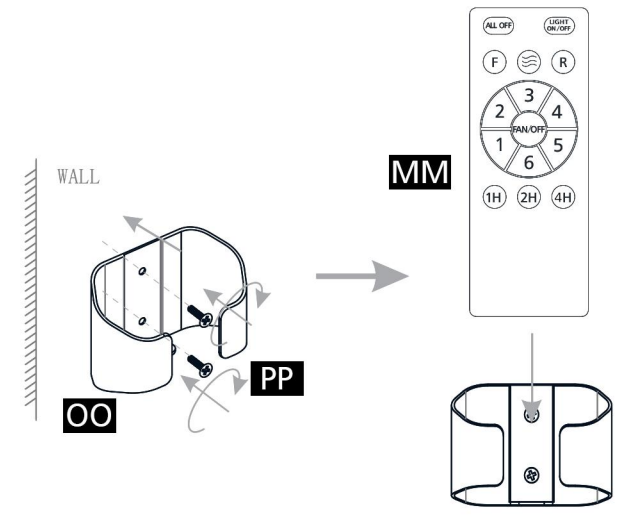
If you need further assistance contact our After Customer Care at **betteraftersaleservice01@outlook.com**, we will reply you in 24 hours.

PACKAGE CONTENTS



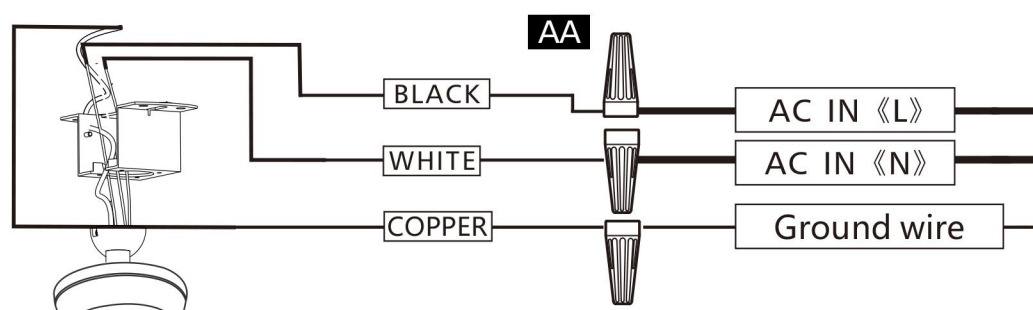
INSTALLATION

15 Install Wall Bracket



INSTALLATION

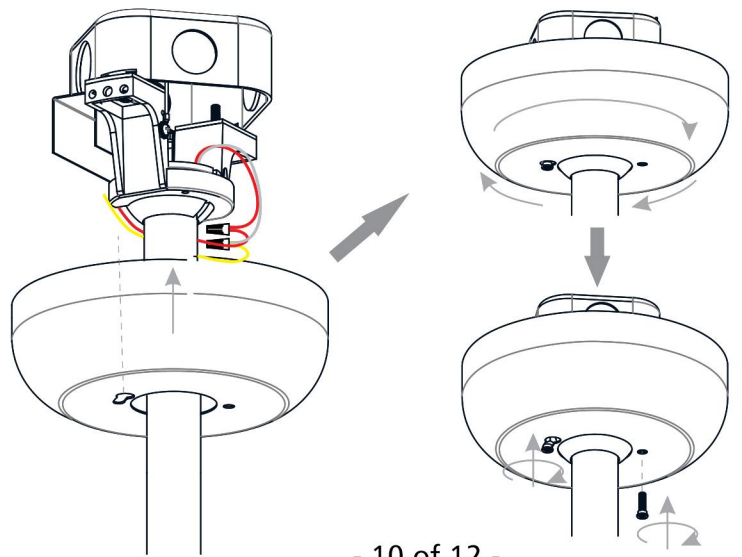
13 Wiring



1. Connect the black wire to the live wire
2. Connect the white wire to the neutral wire
3. Connecting ground

14 Install Ceiling Canopy

Carefully tuck all wires inside of the ceiling canopy during installation.

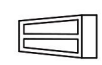


NOTE: You need a short or stubby screwdriver to screw these in

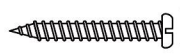


PACKAGE CONTENTS (PARTS BAG 1)

NOTE: Hardware not shown to actual size.



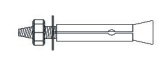
AA Wire Connector x 4



BB Screw x 4



CC Wall Anchor x 4



DD Anchor Bolt x 2



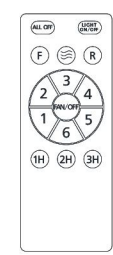
EE Mechanical Screw x 2

PACKAGE CONTENTS (PARTS BAG 2)



KK Mechanical Screw x 4

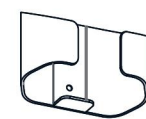
PACKAGE CONTENTS (PARTS BAG 3)



MM Remote Control x 1



NN AAA Batteries x 2



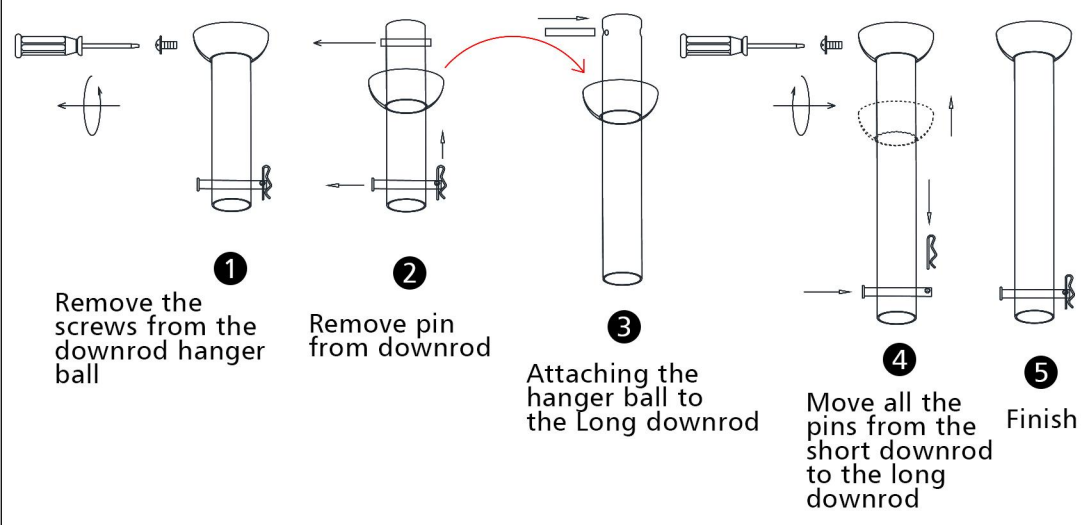
OO Wall Bracket x 1



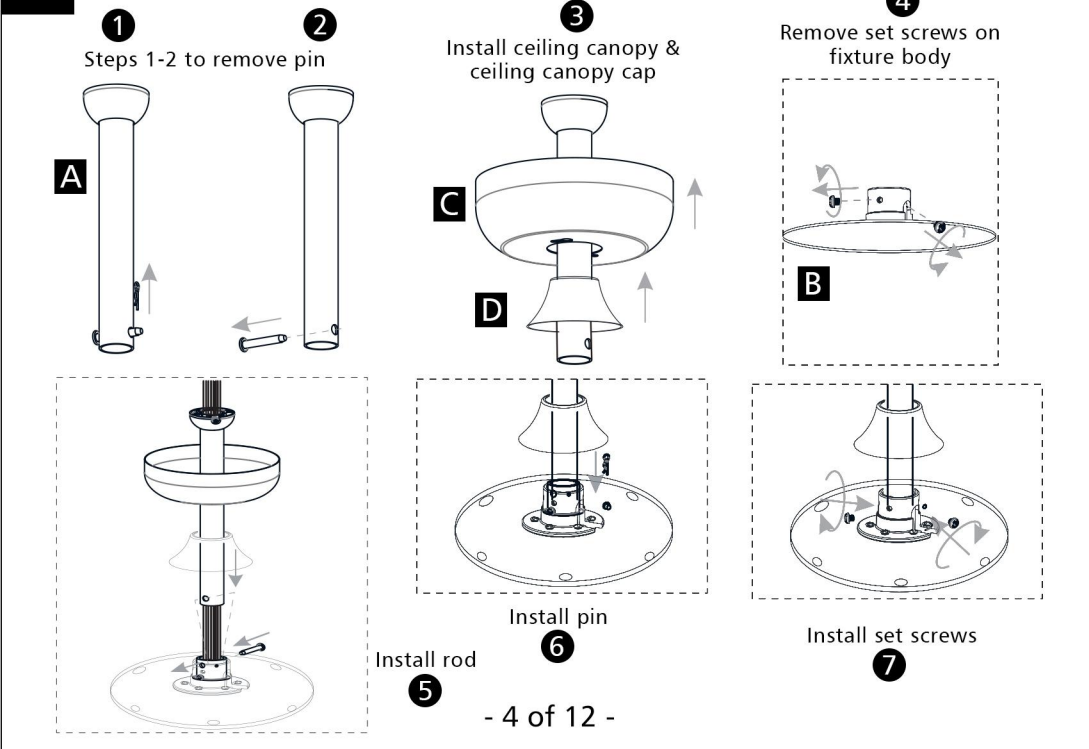
PP Screw x 2

INSTALLATION

1 Choose Suitable Downrod

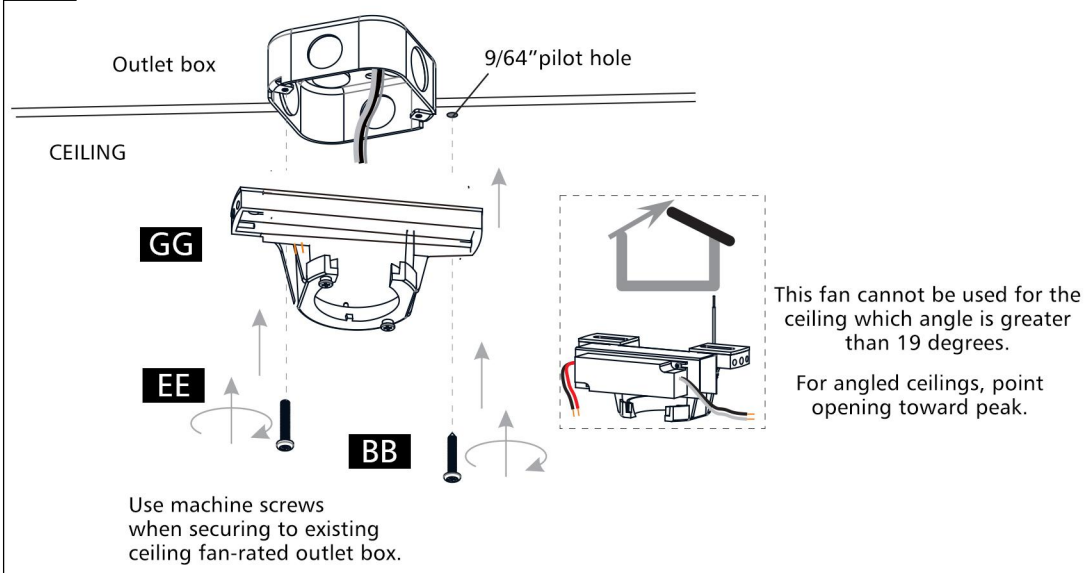


2 Install Downrod to Fixture Body

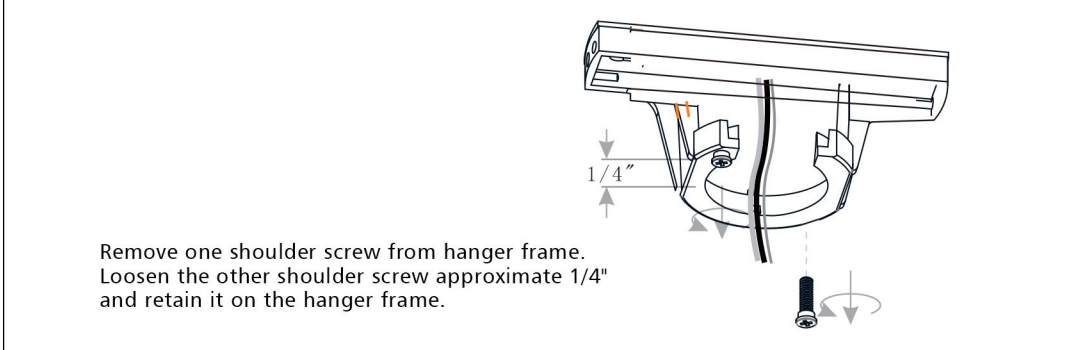


INSTALLATION

11 Install Hanger Frame



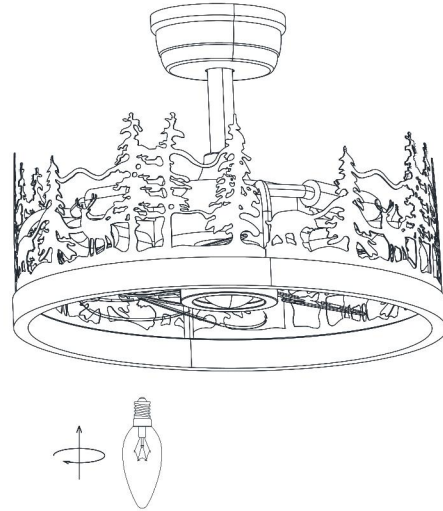
12 Loosen Shoulder Screws



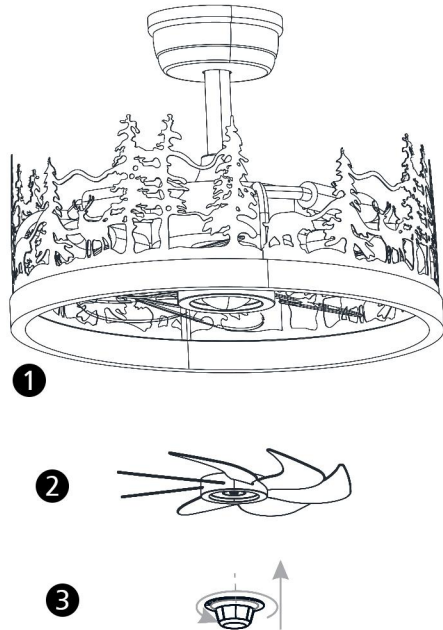
INSTALLATION

9 Install Bulbs

Install 4 correct bulbs referring to fixture markings or labels for maximum wattage. If the base angle needs to be changed, disconnect the power supply first



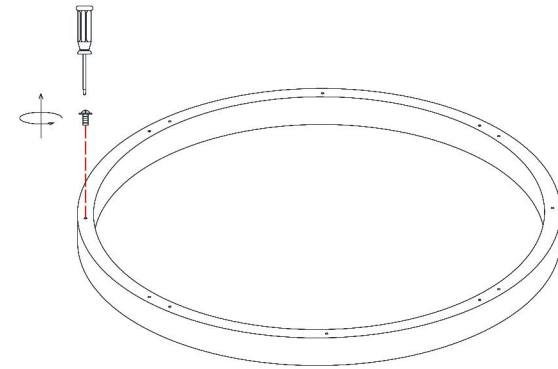
10 Install Fan Blade



- 8 of 12 -

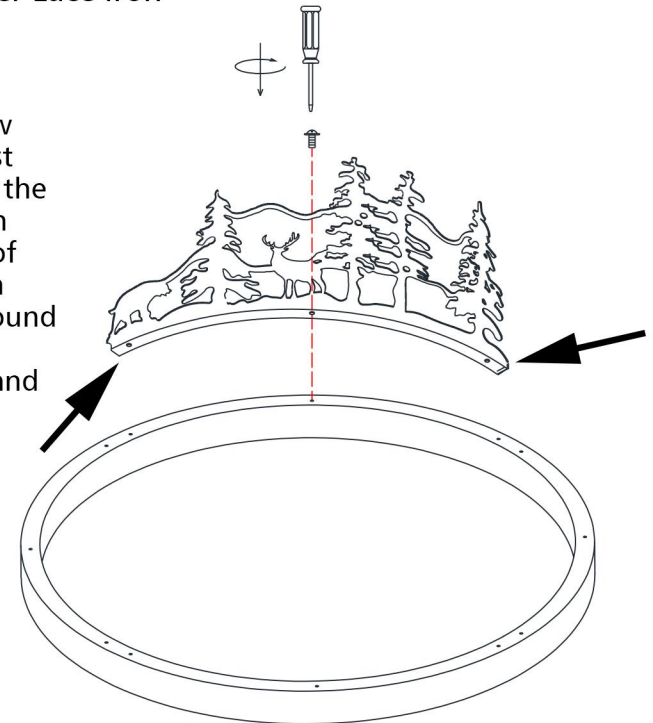
INSTALLATION

3 Remove the Round Tube Screw



4 Install Forest Deer Lace Iron

Remove the screw and put the forest deer lace iron on the round tube. Align the middle hole of the lace iron with the hole of the round tube, install one screw in middle and other 2 screws

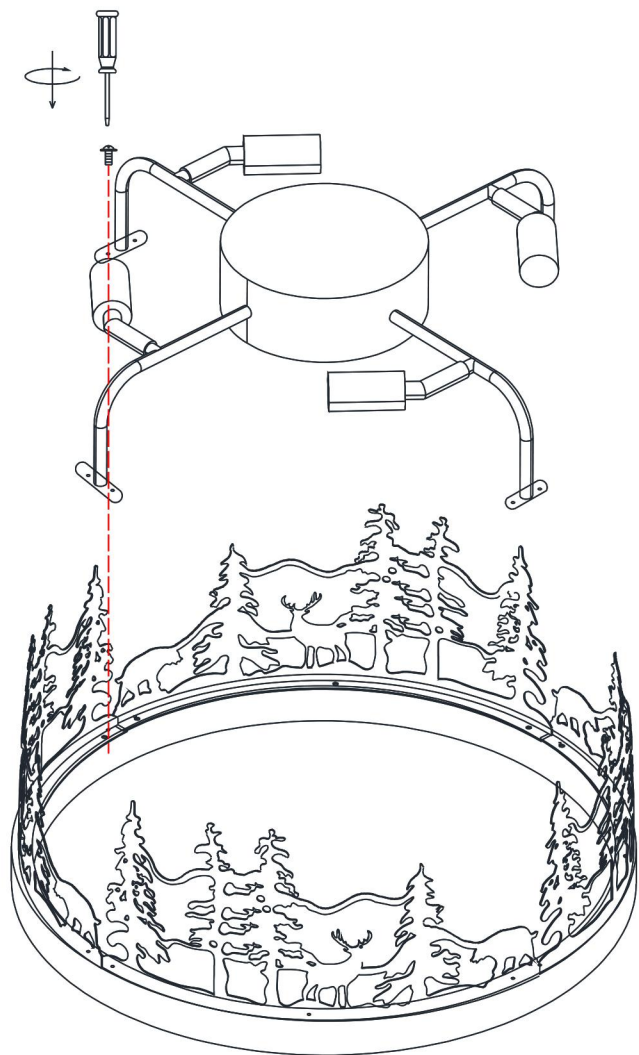


- 5 of 12 -

INSTALLATION

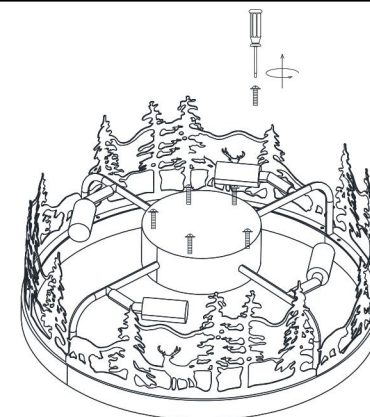
5 Combine Light Fixture

Align the holes in the fixture body with the holes in the lace iron and secure with screws

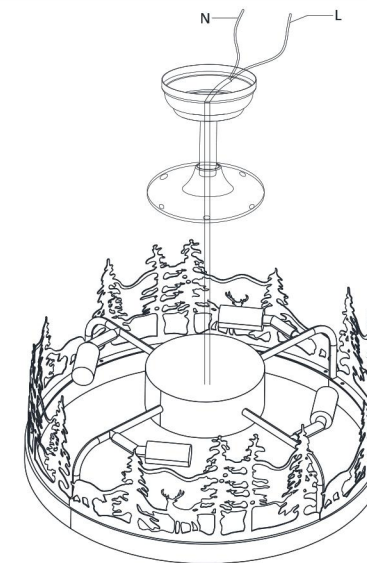


INSTALLATION

6 Remove the set screws on the fixture body



7 Thread the wires from the fixture body



8 Install the screws into the motor cap

