





# ASSEMBLY INSTRUCTIONS & PARTS IDENTIFICATION

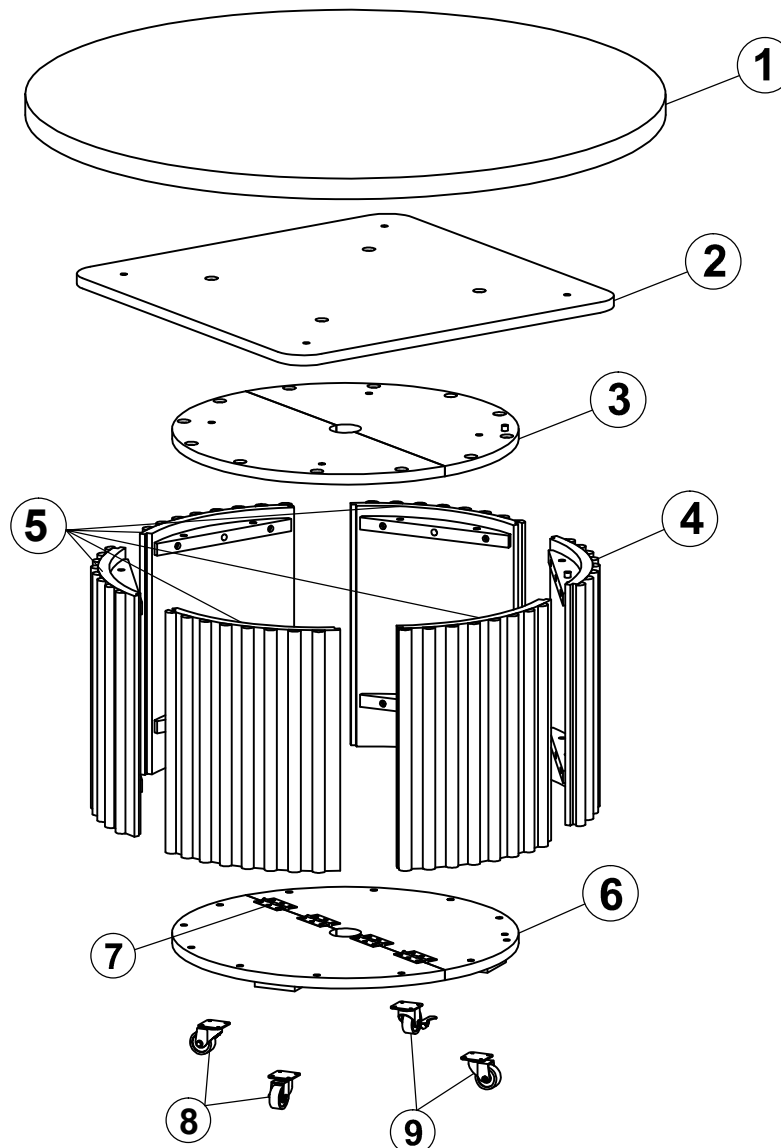
## COFFEE TABLE NATURAL

Thank you for purchasing this quality product. Be sure to check all packing material carefully for small parts that may have come loose inside the carton during shipment.

Hardware kit (-)			
No		Description	Q'Ty
A		Bolt Ø6.3 x 0.794 x 30mm(L)	28 pcs
B		Flat Washer Ø6.3	28 pcs
C		Allen Key	1 pc
D		Screw Ø4 x 20mm	16 pcs

Key Parts			
No	Code	Description	Q'Ty
1		Table Top	1 pc
2		Mounting Plate	1 pc
3		Support Panel Top	1 pc
4		Side Panel with Dowels	1 pc
5		Side Panel - No Dowels	5 pcs
6		Support Panel Bottom	1 pc
7		Hinge	8 pcs
8		Caster	2 pcs
9		Lock Caster	2 pcs

**TWO PERSONS ARE REQUIRED  
TO SET UP THE TABLE  
DO NOT USE POWER TOOLS**



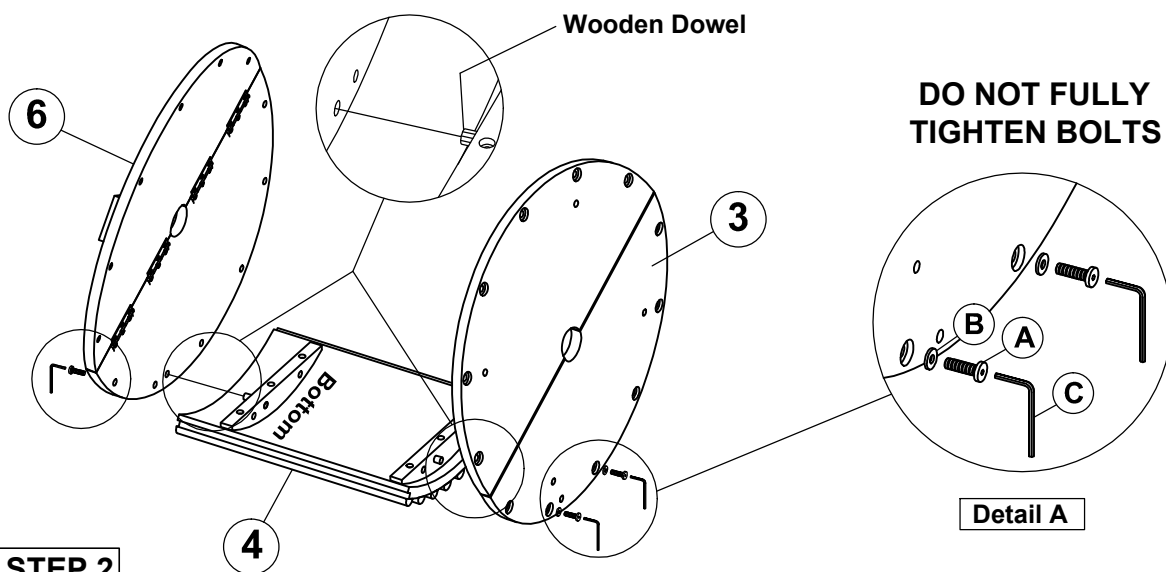
# ASSEMBLY INSTRUCTIONS & PARTS IDENTIFICATION

## COFFEE TABLE NATURAL

Thank you for purchasing this quality product. Be sure to check all packing material carefully for small parts that may have come loose inside the carton during shipment.

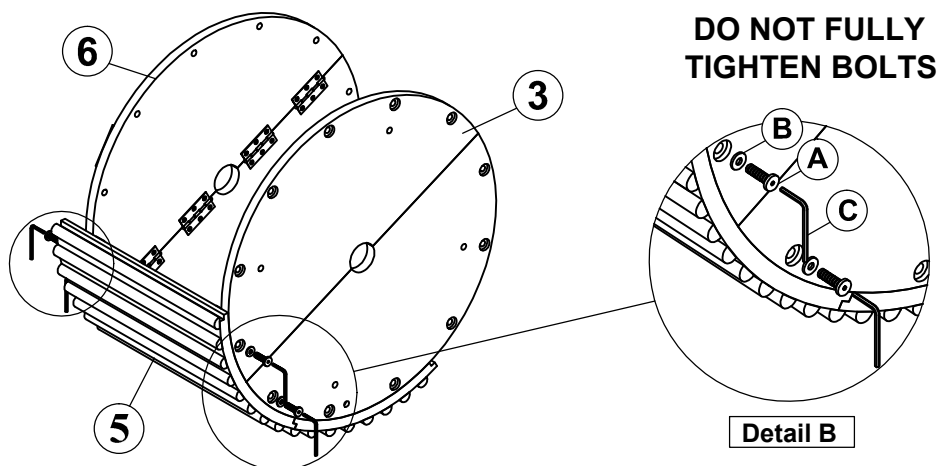
### STEP 1

- Carefully lay the Side Panel with Dowels on a smooth flat surface to prevent scratches.
- Attach the Support Panel Bottom and Support Panel Top to the Side Panel with Dowels using a Bolt (A), Flat Washer (B) and Allen Key (C) provided . (See Detail A)



### STEP 2

- Attach the Side Panel without the Dowels to the Support Panel Bottom and Support Panel Top using a Bolt (A) Flat Washer (B), and Allen Key (C) provided. (See Detail B)



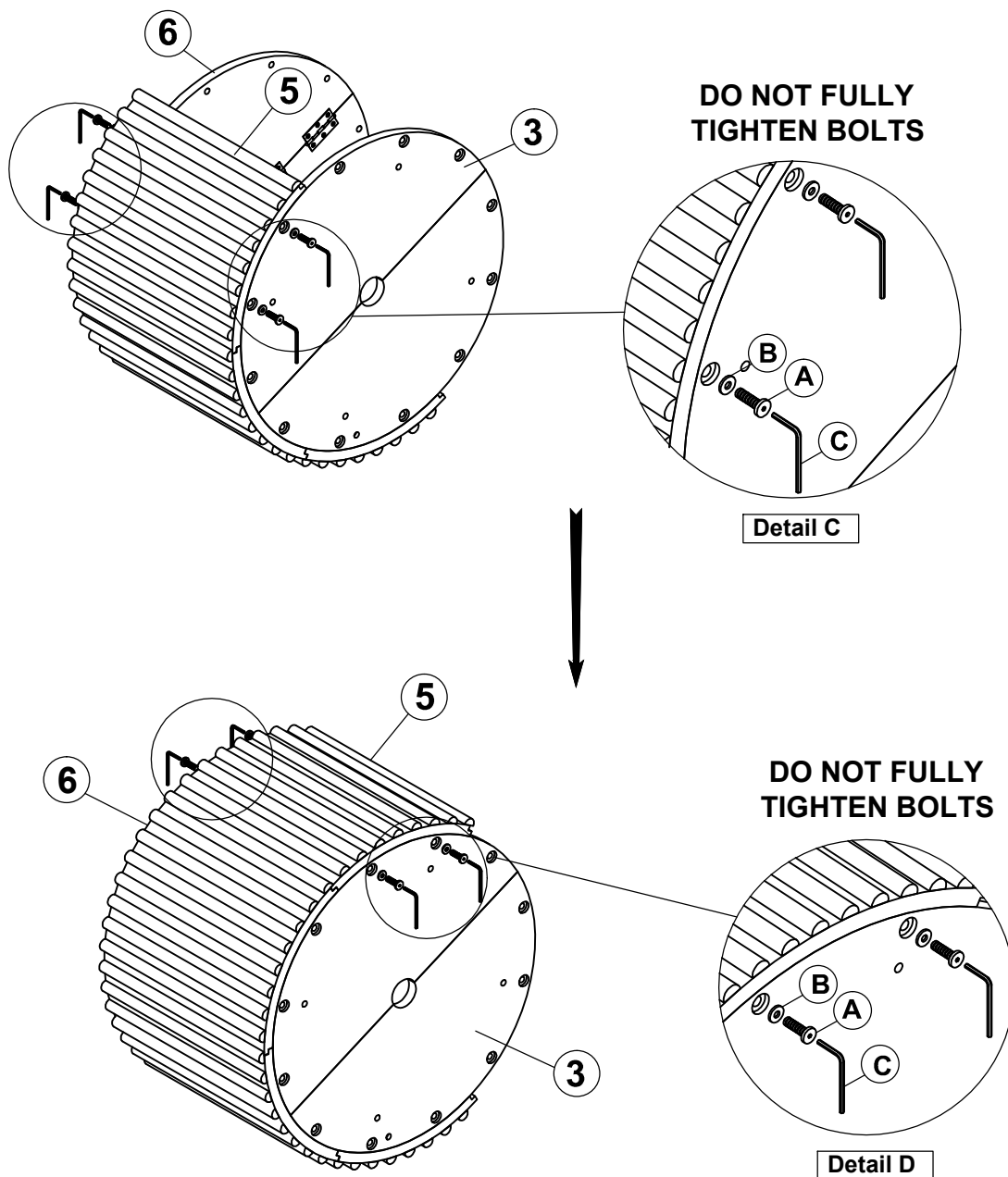
# ASSEMBLY INSTRUCTIONS & PARTS IDENTIFICATION

## COFFEE TABLE NATURAL

Thank you for purchasing this quality product. Be sure to check all packing material carefully for small parts that may have come loose inside the carton during shipment.

### STEP 3

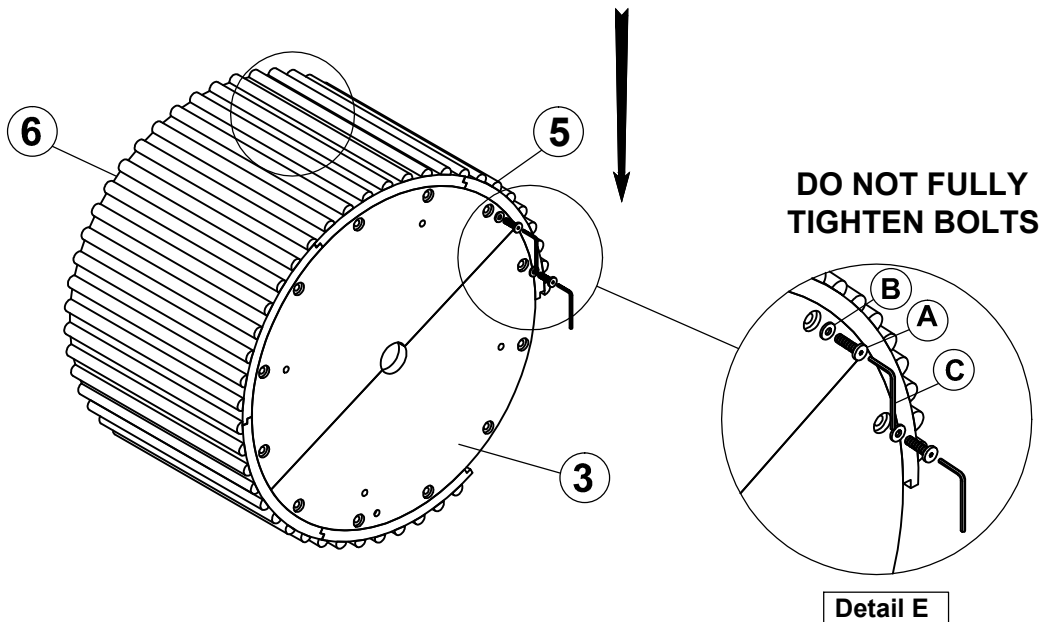
-Continue to attach the Side Panels without the Dowels to the Top and Bottom Support panels until all the Side panels are in place.



# ASSEMBLY INSTRUCTIONS & PARTS IDENTIFICATION

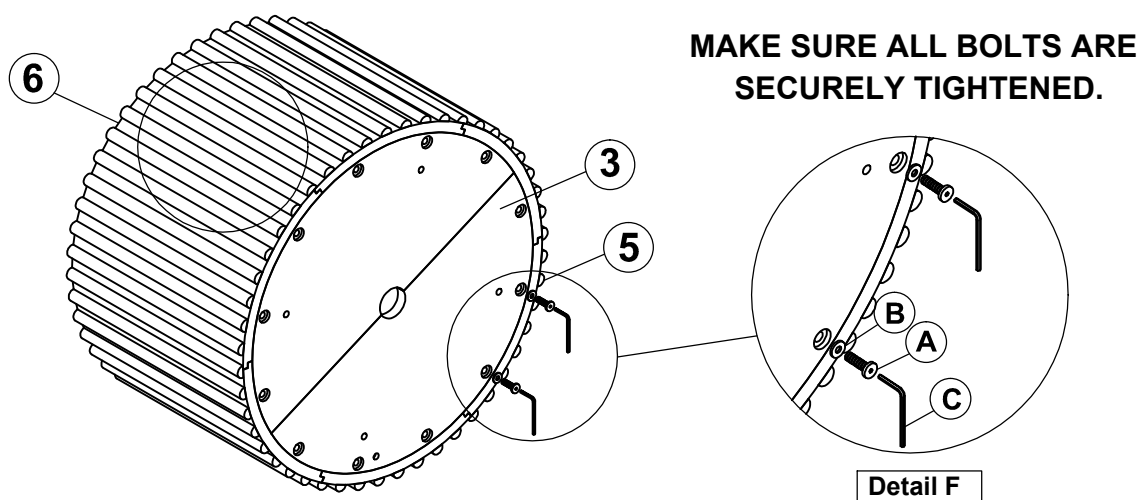
## COFFEE TABLE NATURAL

Thank you for purchasing this quality product. Be sure to check all packing material carefully for small parts that may have come loose inside the carton during shipment.



### STEP 4

- It may be necessary to slightly shift the Side Panels once you attach the last one.
- Once all the panels are in place, tighten all bolts on the top and bottom.



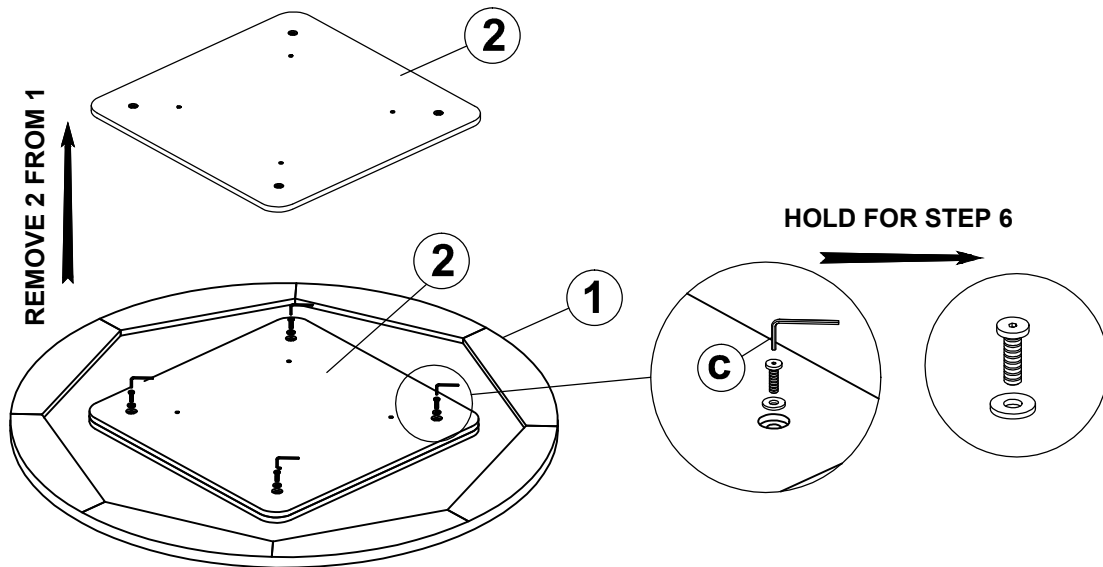
# ASSEMBLY INSTRUCTIONS & PARTS IDENTIFICATION

## COFFEE TABLE NATURAL

Thank you for purchasing this quality product. Be sure to check all packing material carefully for small parts that may have come loose inside the carton during shipment.

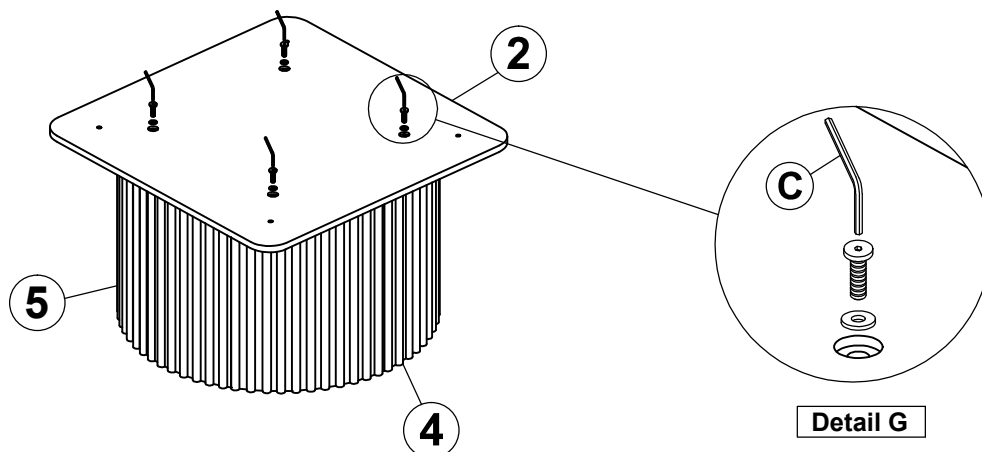
### STEP 5

- Carefully lay Table Top on a smooth flat surface to prevent scratches.
- Remove the Mounting Plate from Table Top using Allen Key (C) provided .



### STEP 6

- Attach the Mounting Plate to the top of the assembled Pedestal Base using a Bolt, Flat Washer disconnected in Step 5 and Allen Key (C) provided. (See Detail G)
- Make sure all bolts are securely tightened.



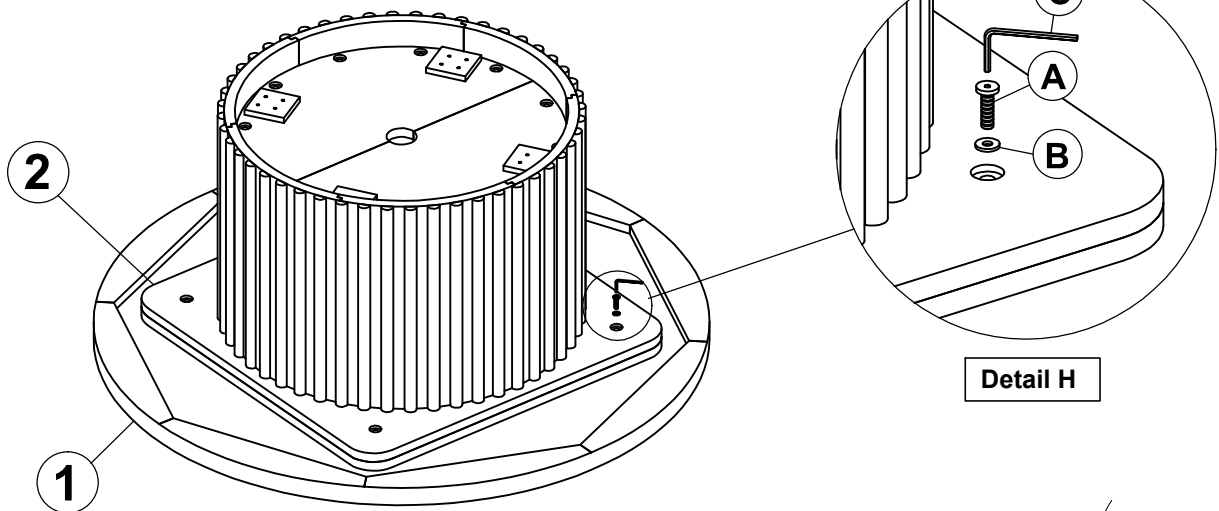
# ASSEMBLY INSTRUCTIONS & PARTS IDENTIFICATION

## COFFEE TABLE NATURAL

Thank you for purchasing this quality product. Be sure to check all packing material carefully for small parts that may have come loose inside the carton during shipment.

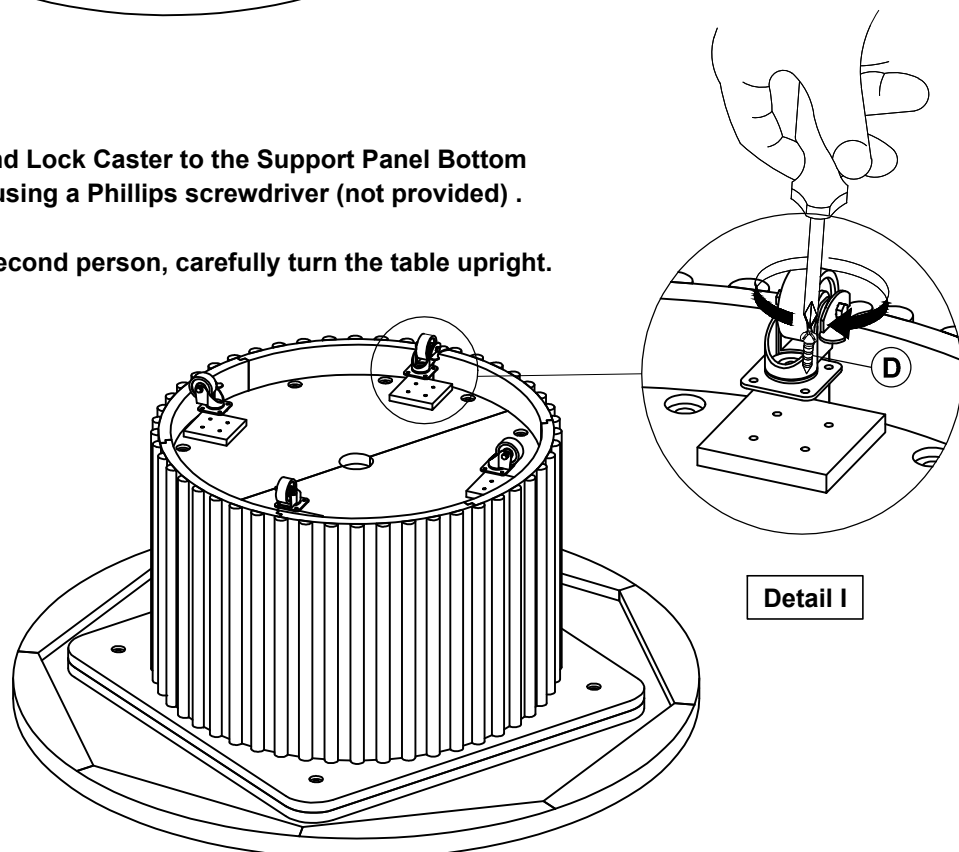
### STEP 7

- Lay the Table Top upside down on a clean padded surface to prevent scratching.
- Attach the Mounting Plate to the Table Top using a Bolt (A), Flat Washer (B) and Allen Key (C) provided. (See Detail H )
- Make sure all bolts are securely tightened.
- With help from the second person, carefully turn the table upright.



### STEP 8

- Attach the Caster and Lock Caster to the Support Panel Bottom by Screws (D) hand using a Phillips screwdriver (not provided) . (See Detail I)
- With help from the second person, carefully turn the table upright.



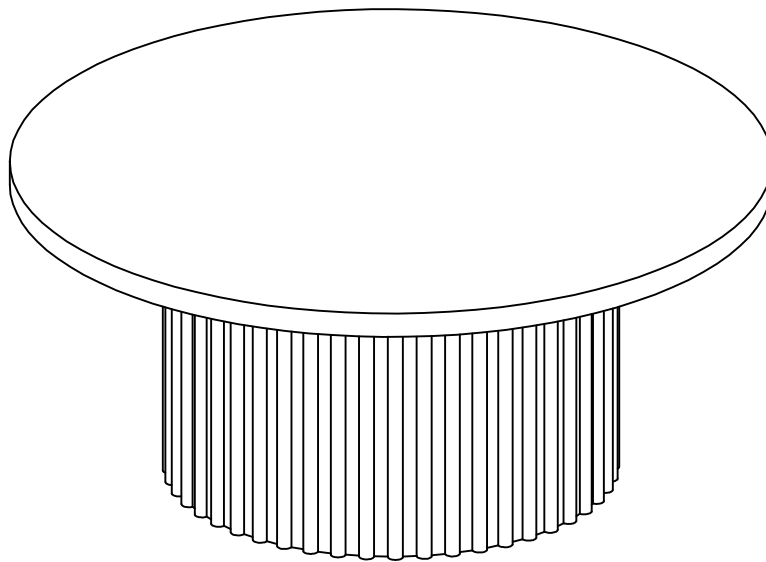
# **ASSEMBLY INSTRUCTIONS & PARTS IDENTIFICATION**

---

## **COFFEE TABLE NATURAL**

---

Thank you for purchasing this quality product. Be sure to check all packing material carefully for small parts that may have come loose inside the carton during shipment.



**ASSEMBLY COMPLETED**