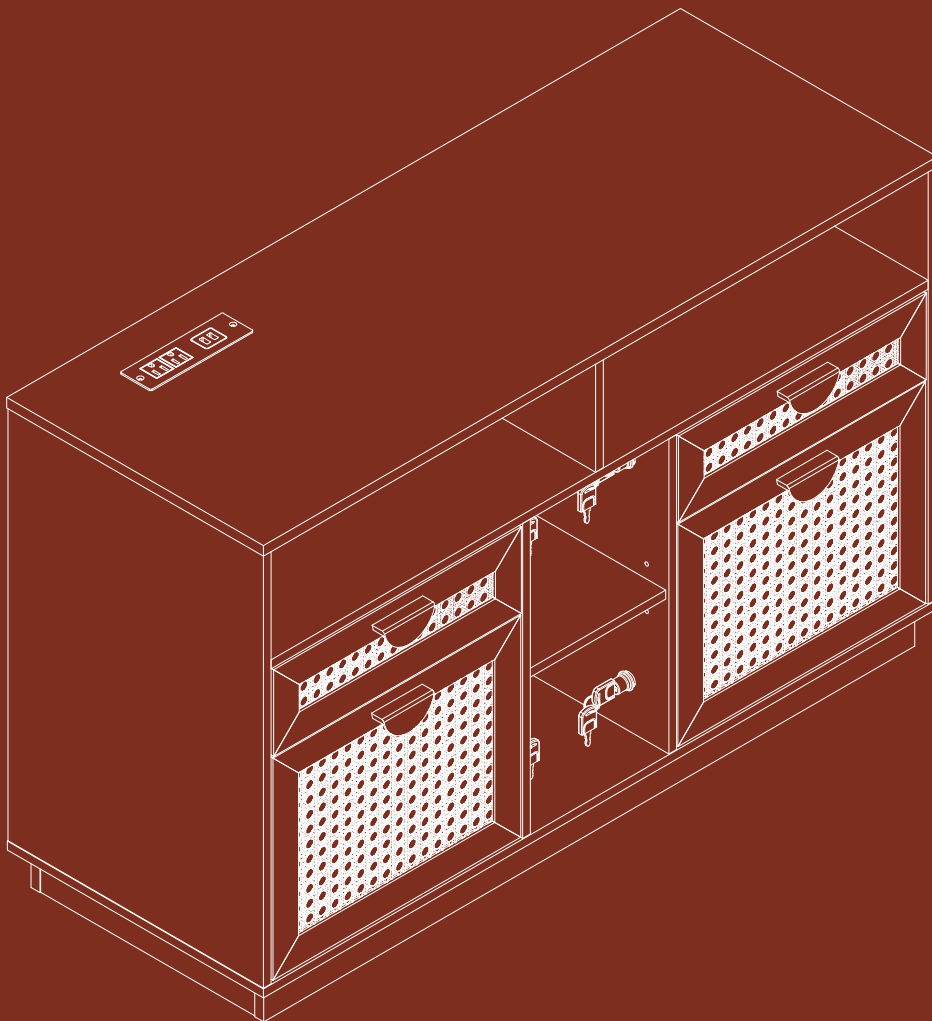


ASSEMBLY INSTRUCTION



File Cabinet

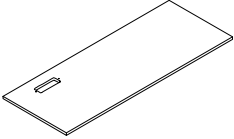
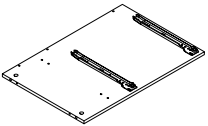
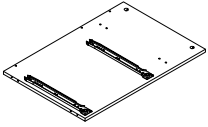
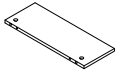
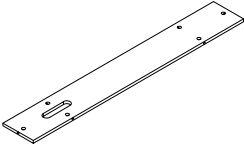
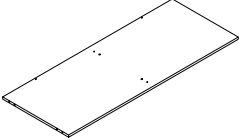
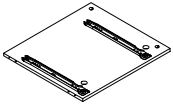
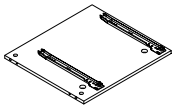
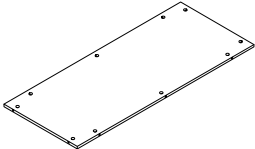
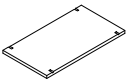
INTRODUCTION

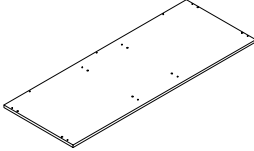
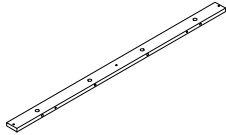
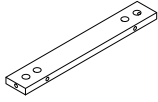
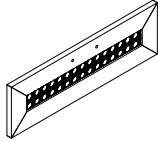
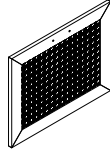
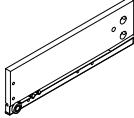
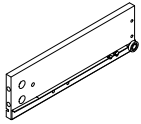
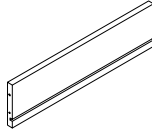
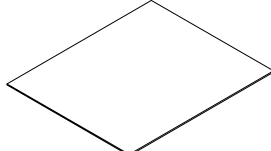
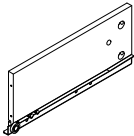
Thank you for purchasing our products. Please read the instructions carefully before installation and keep it in a safe place for future reference. If you need any assistance or support, please feel free to contact our customer support team.

PRECAUTIONS

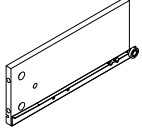
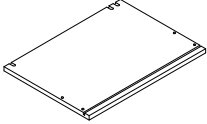
1. There are many components and accessories in the package. Each component and accessory is labeled with a letter or a number, check carefully before using any of them. Keep them away from children to prevent accidents.
 2. Please install the product on a clean and soft underlay (such as carpet or cardboard) to avoid scratching or damaging the surface of the product.
 3. The main components of the product is relatively heavy. Please pay attention to safety during installation.
 4. The product is not stable during installation. Please do not move it randomly before it is completely installed.
 5. If you have any questions during installation, please contact the customer service in time.
- * Please be sure to follow the installation steps in the manual to avoid unnecessary losses caused by improper installation.
 - * If you need further assistance, please contact the customer service online.

Parts List




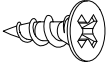
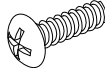

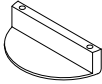
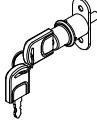
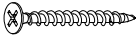
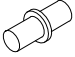
ID	Parts	QTY
1		1
2		1
3		1
4		1
5		1
6		1
7		1
8		1
9		1
10		1

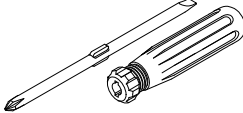
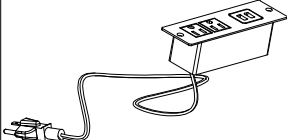
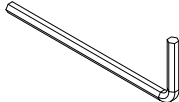
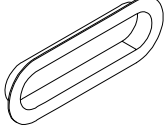
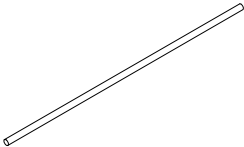

ID	Parts	QTY
11		1
12		2
13		3
14		2
15		2
16		2
17		2
18		2
19		4
20		2

Hardware List

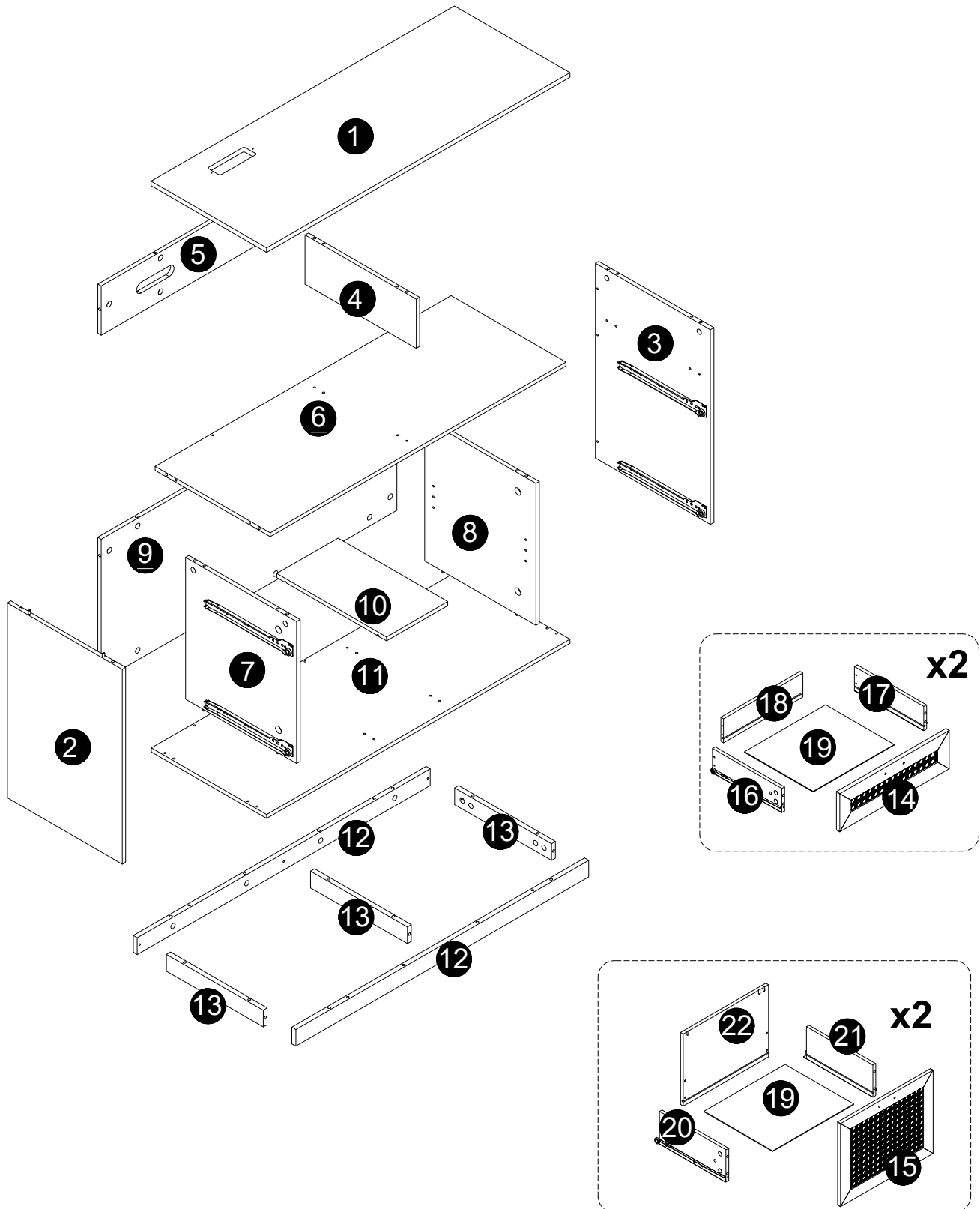
ID	Parts	QTY
21		2
22		2

Hardware List

ID	Parts	QTY
A	Ø15*9.5mm 	66+6
B	Ø6*33.5mm 	66+6
C	Ø6*30mm 	28+2
D	Ø3.5*12mm 	10+1
E	M4*16mm 	8
F	Ø5*50mm 	10+1
G		4
H		4
I	Ø4*38mm 	16
K		4

ID	Parts	QTY
L		1
M		1
N	S3 	1
O		1
P		4
Q		4

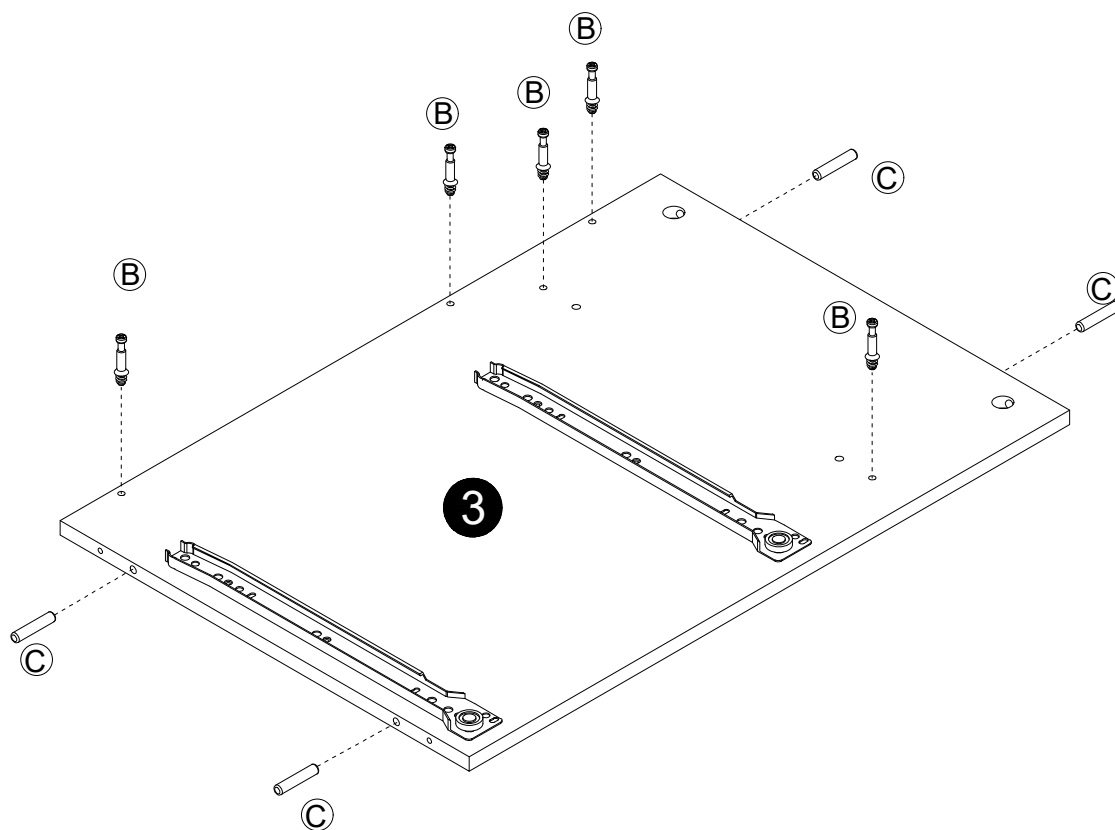
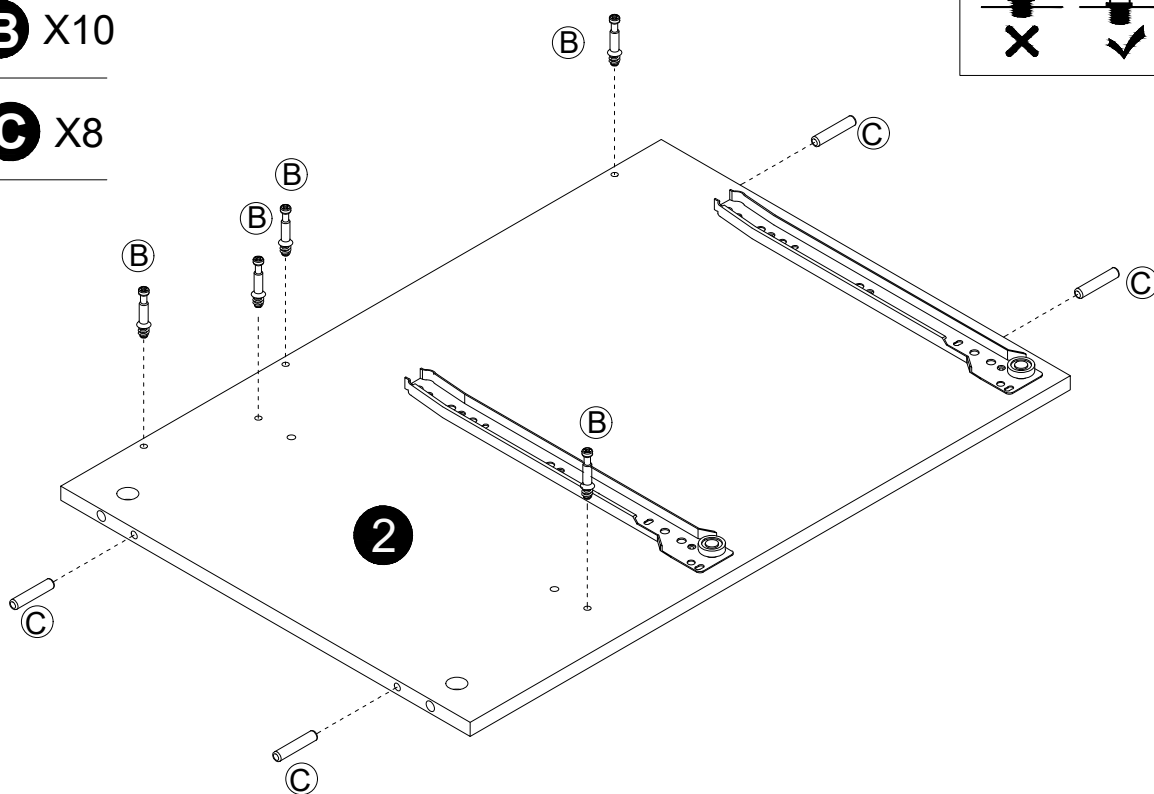
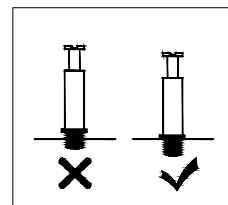
Parts List



STEP 1

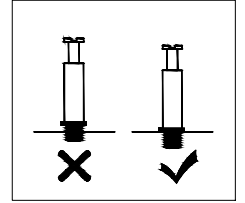
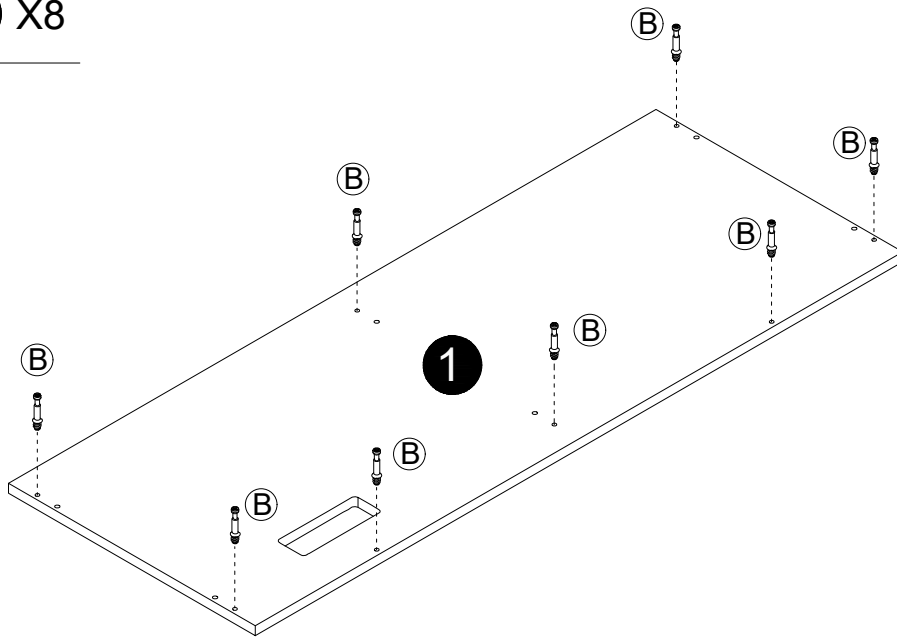
 **B** X10

 **C** X8



STEP 2

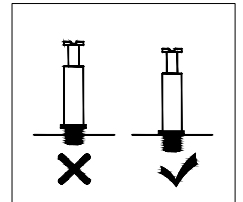
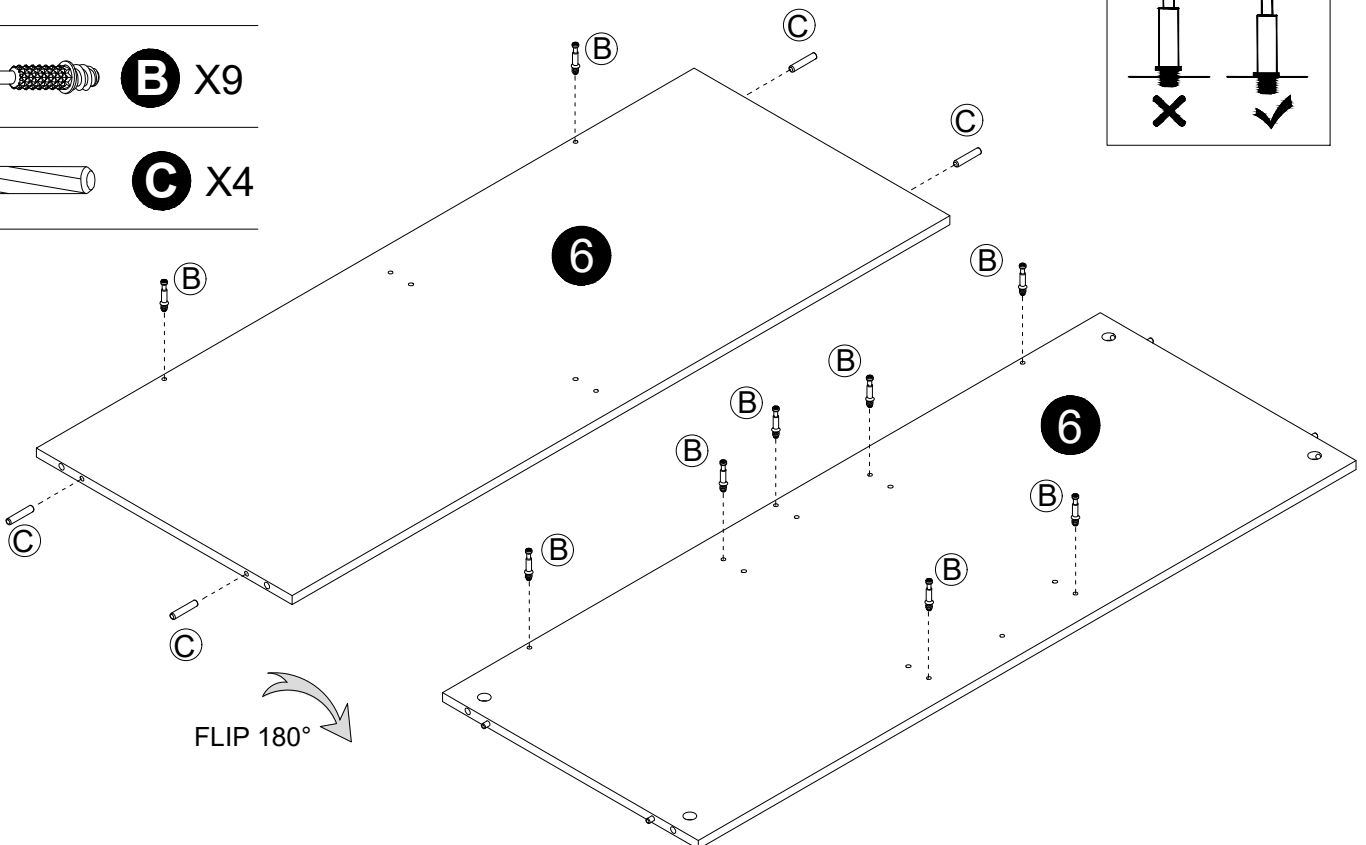
 **B** X8



STEP 3

 **B** X9

 **C** X4

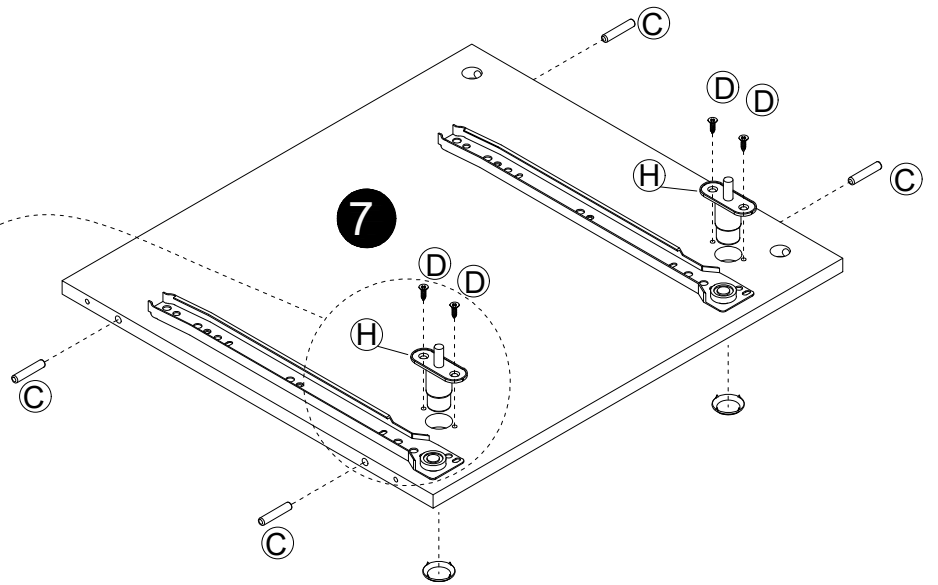


STEP 4

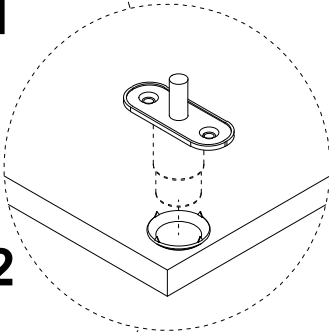
 **C** X8

 **D** X8

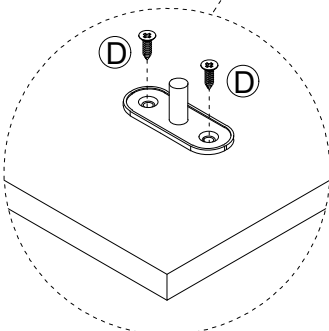
 **H** X4



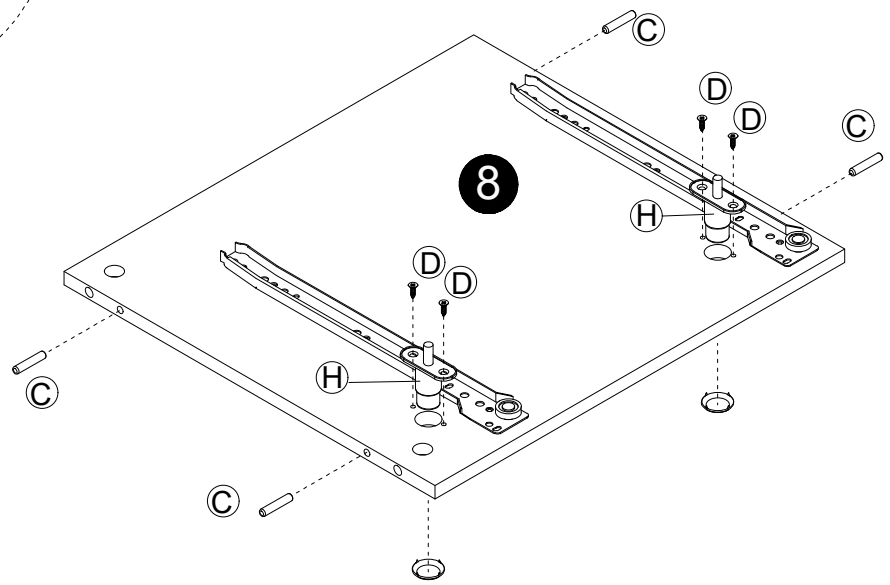
Step1



Step2



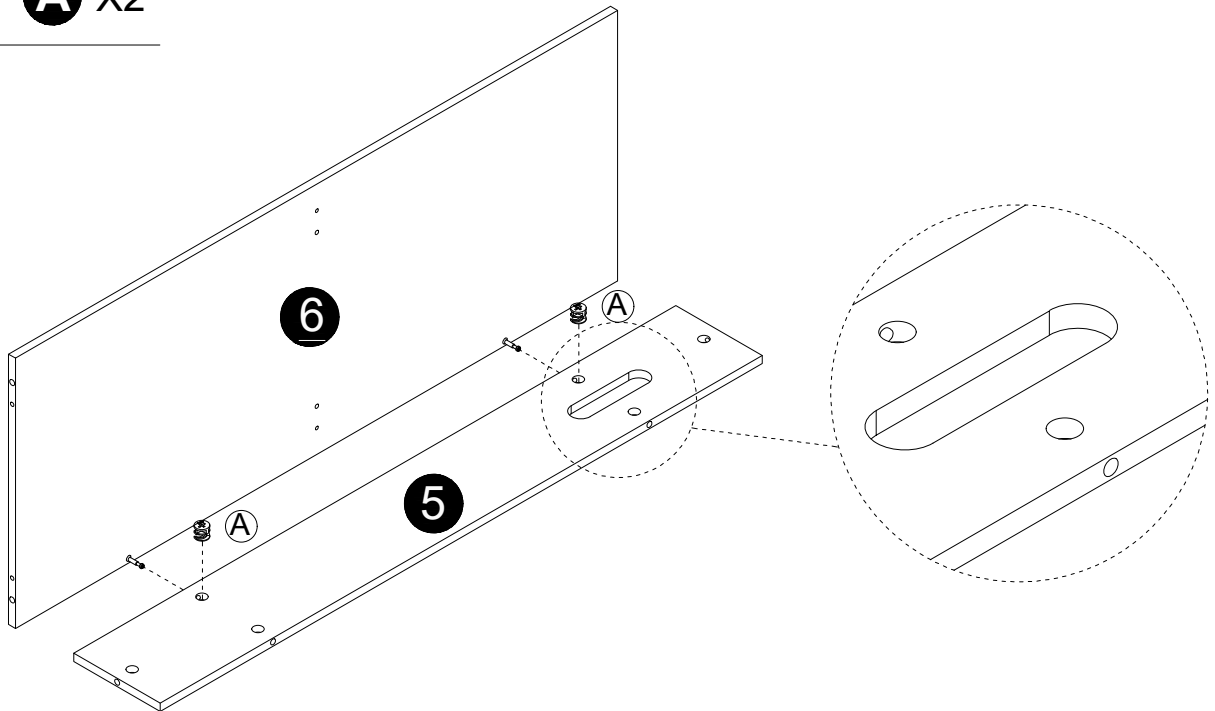
Step3



STEP 5



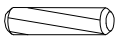
A X2



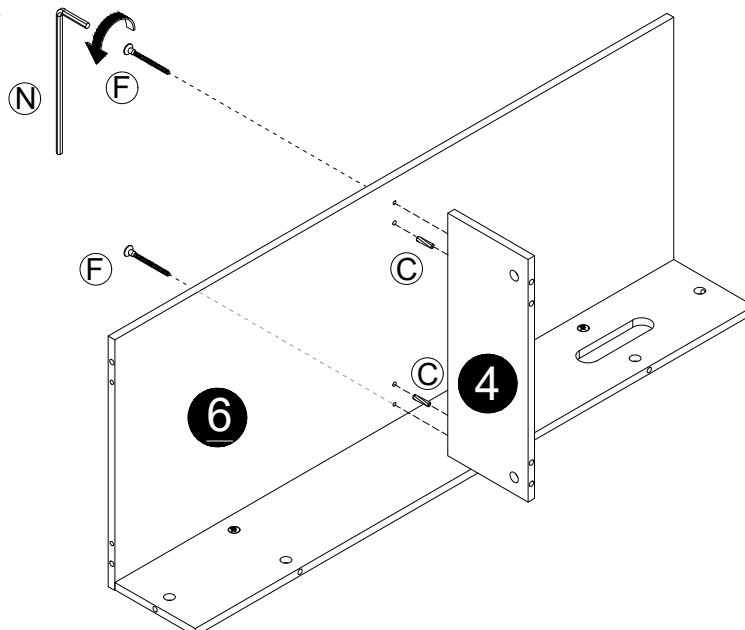
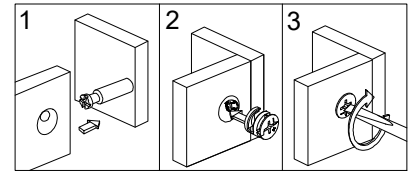
STEP 6



F X2



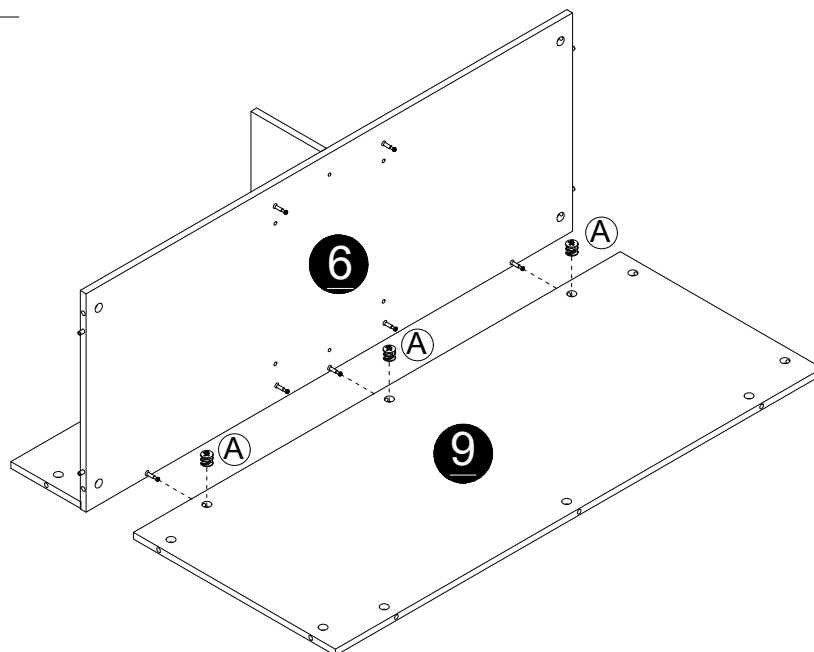
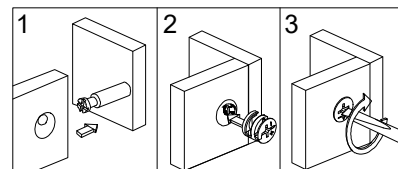
C X2



STEP 7



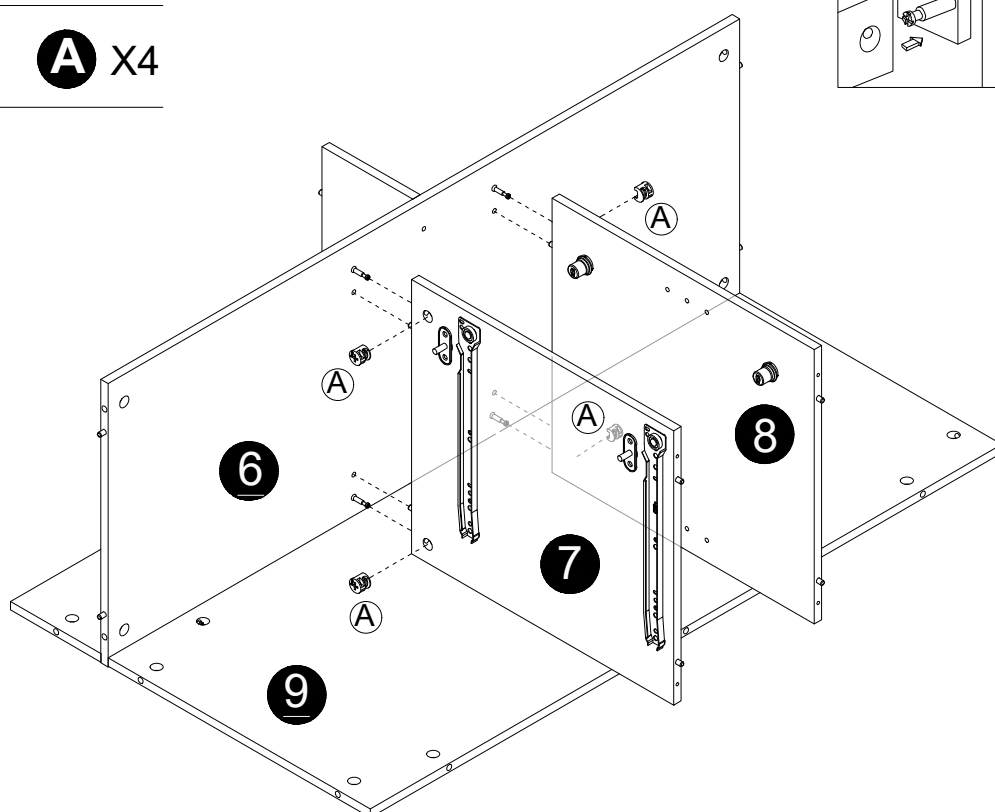
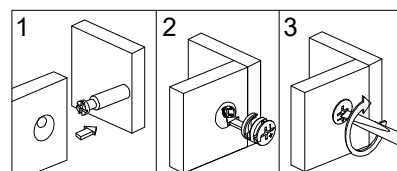
A X3



STEP 8



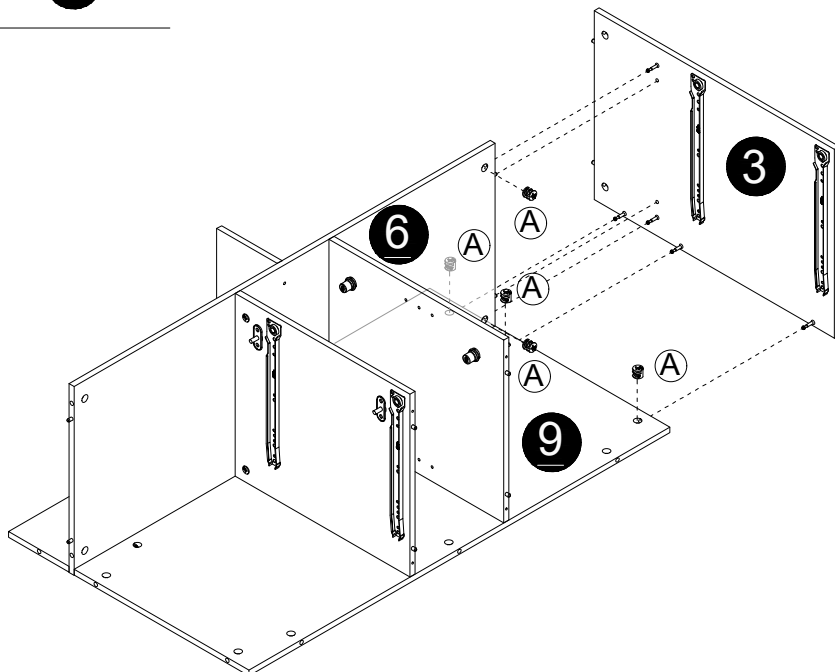
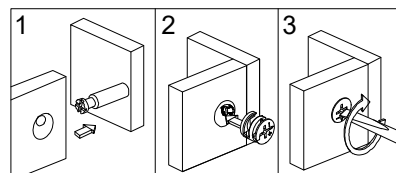
A X4



STEP 9



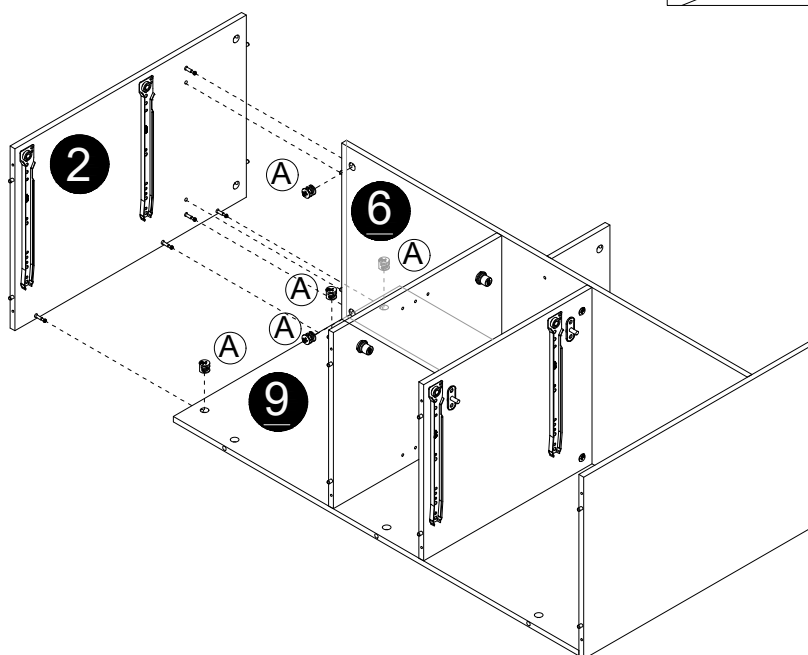
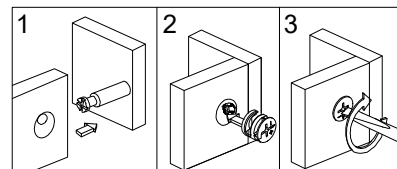
A X5



STEP 10

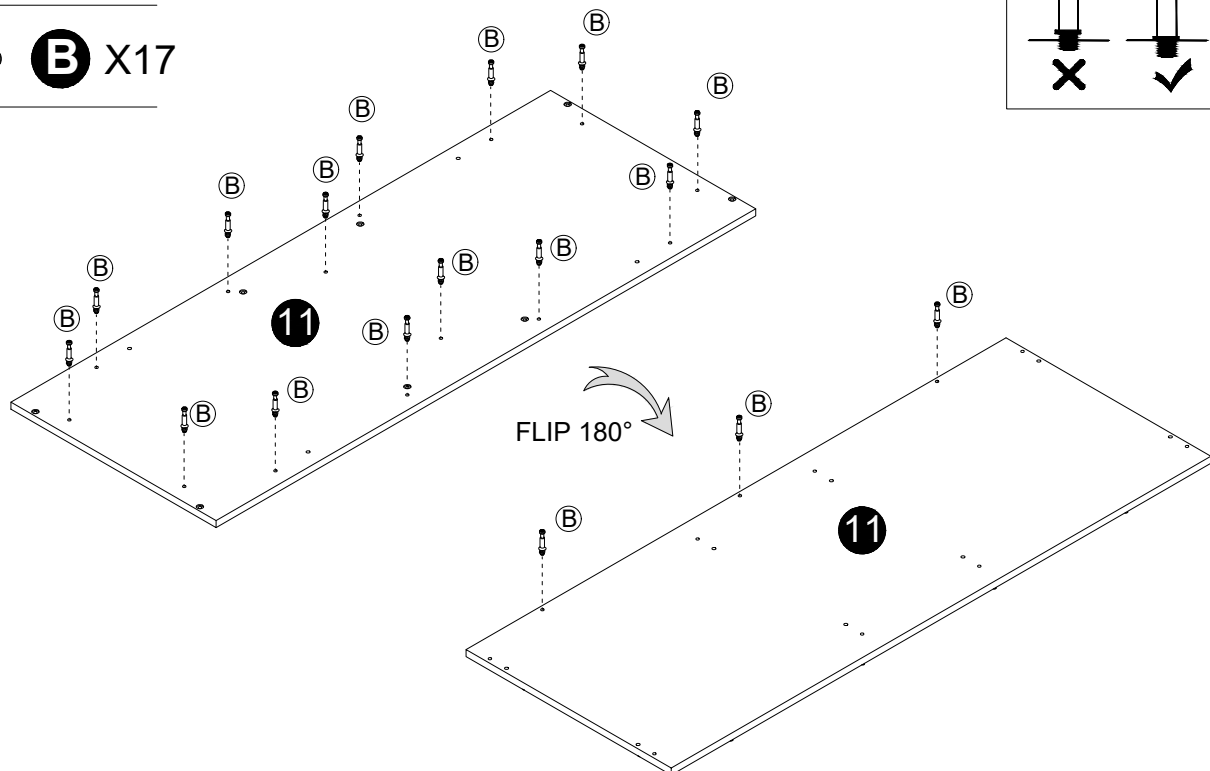


A X5



STEP 11

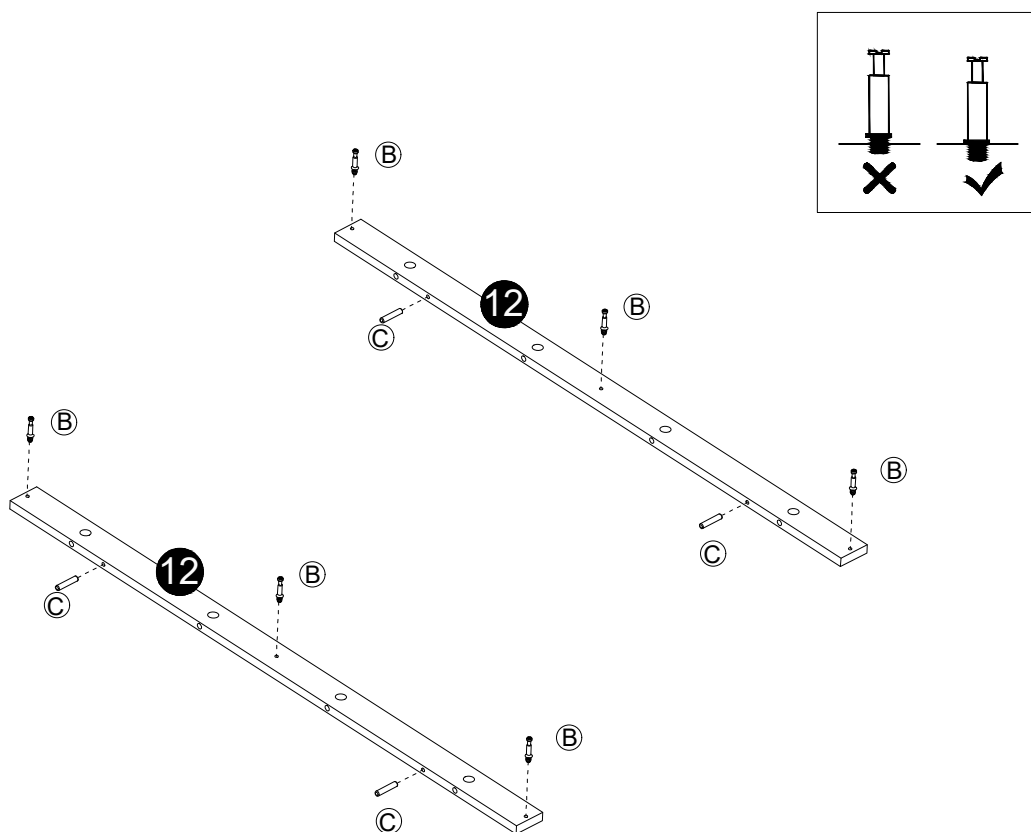
 **B** X17



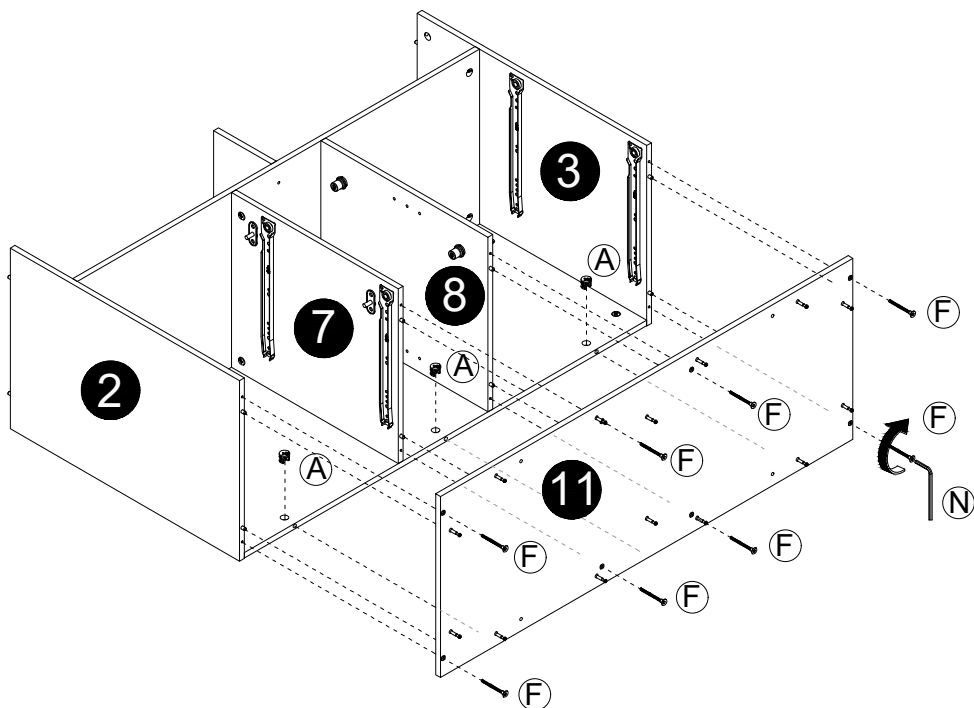
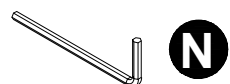
STEP 12

 **B** X6

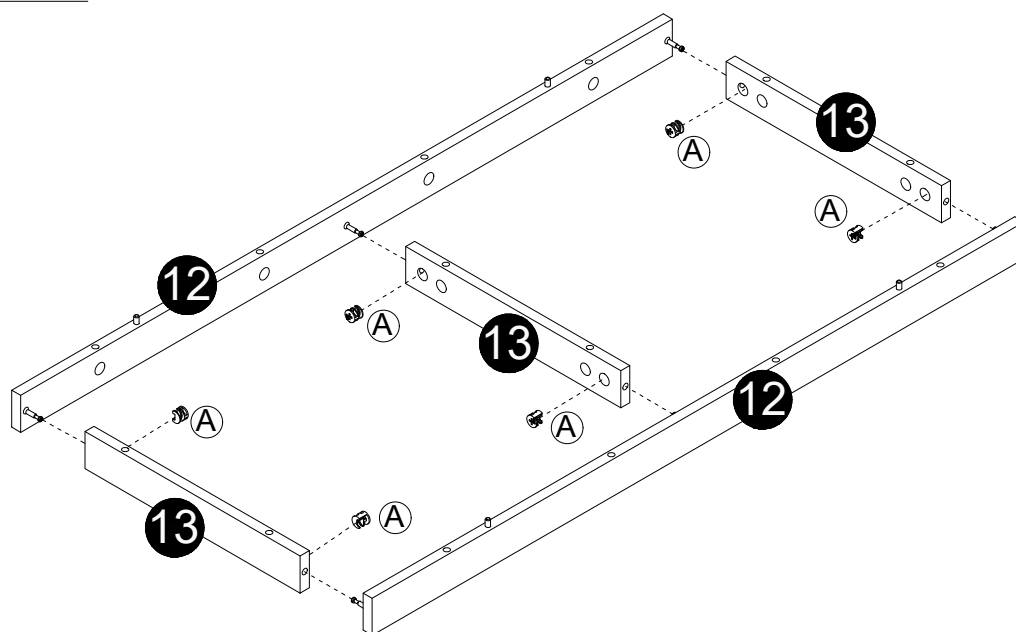
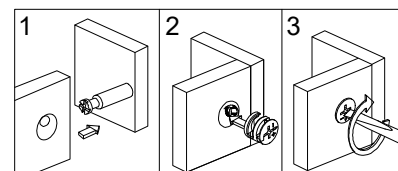
 **C** X4



STEP 13



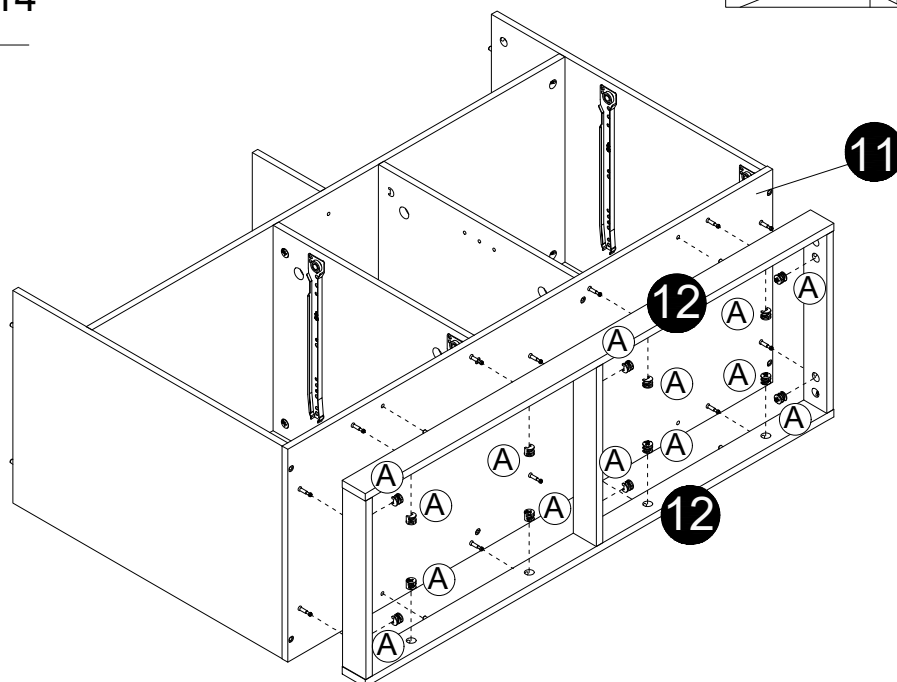
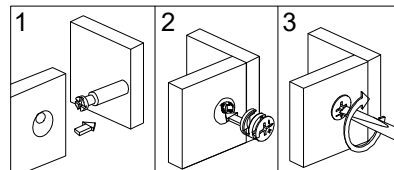
STEP 14



STEP 15



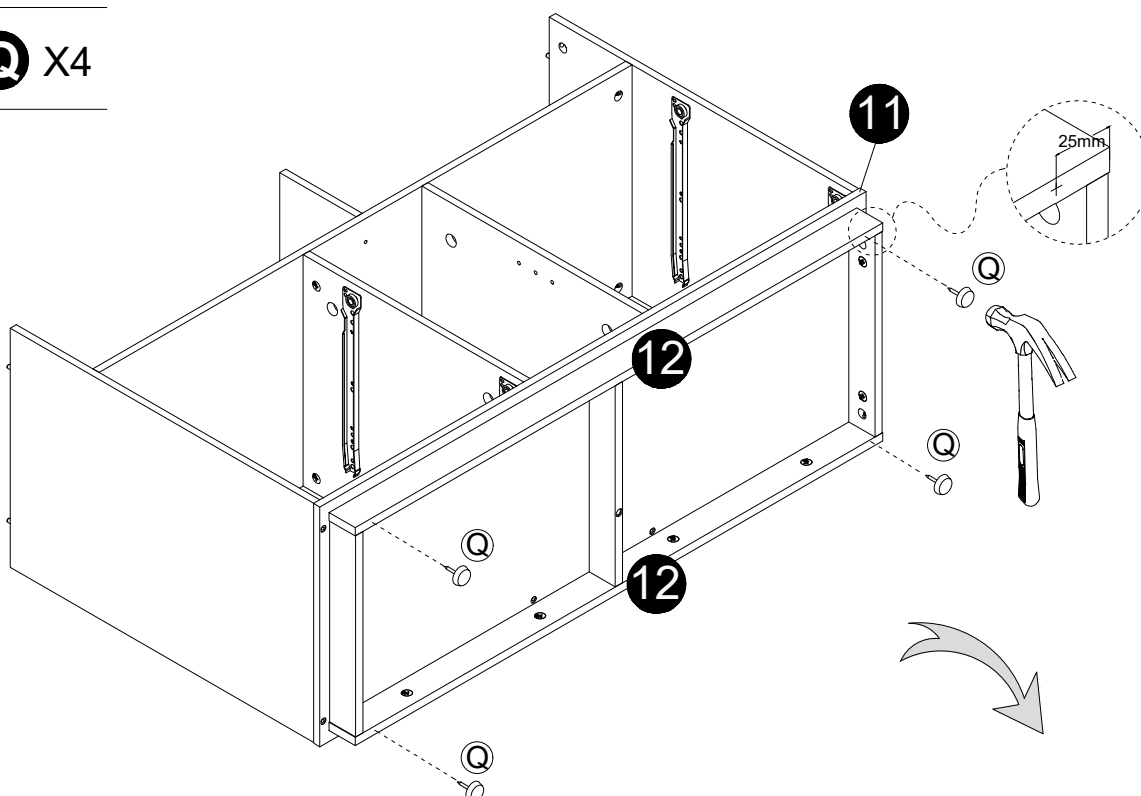
A X14



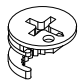

STEP 16

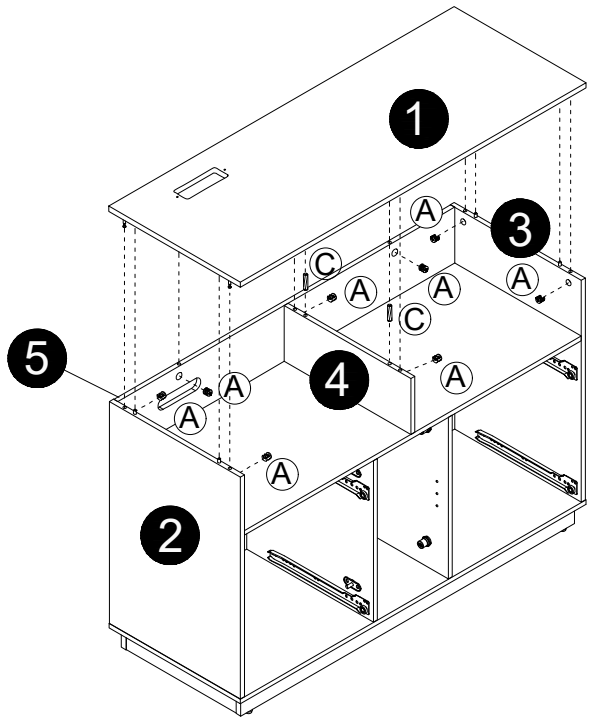
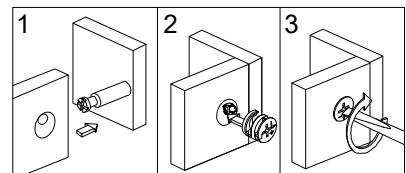


Q X4

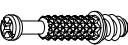

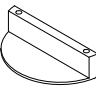


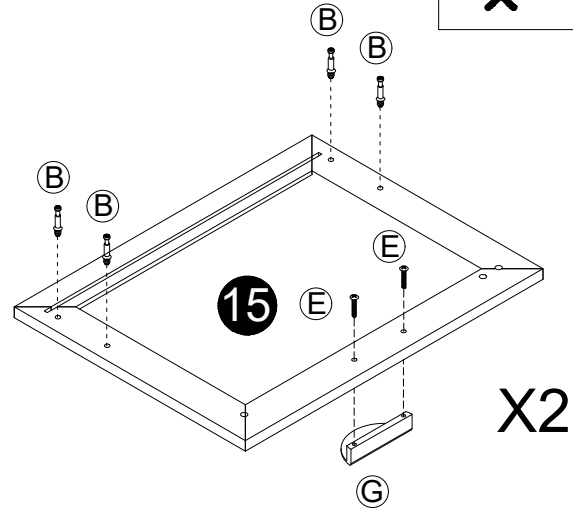
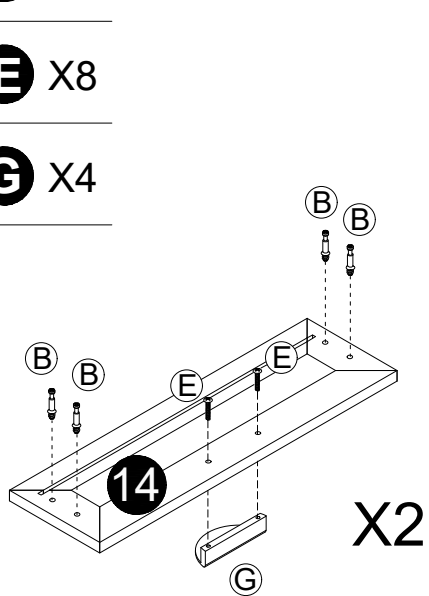
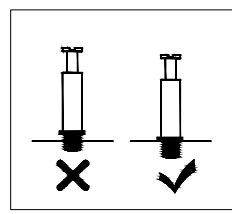
STEP 17

-  **A** X8
-  **C** X2



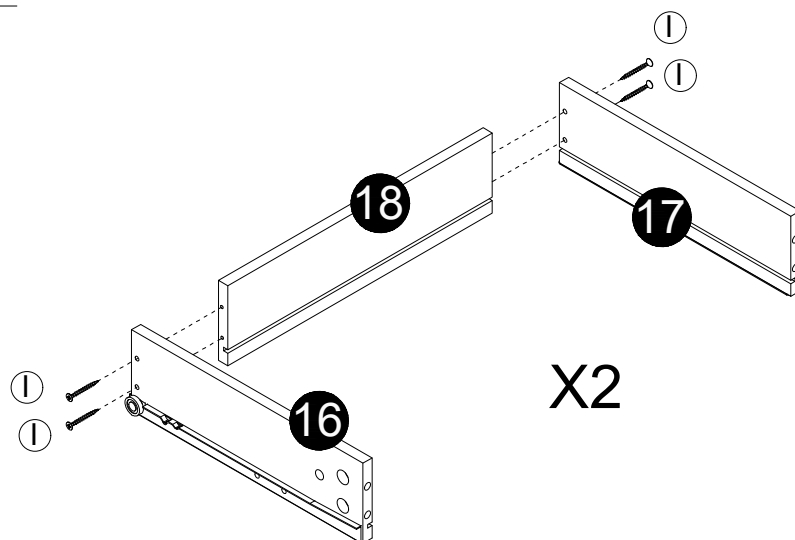
STEP 8

-  **B** X16
-  **E** X8
-  **G** X4

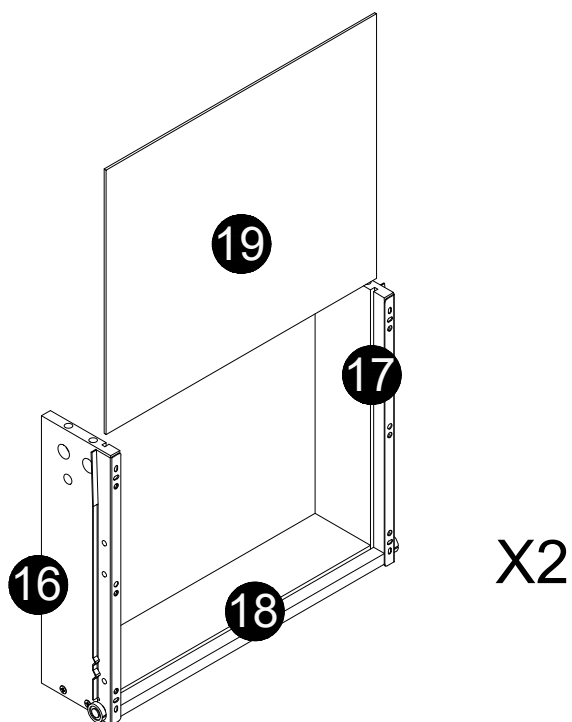


STEP 19

 **I** X8



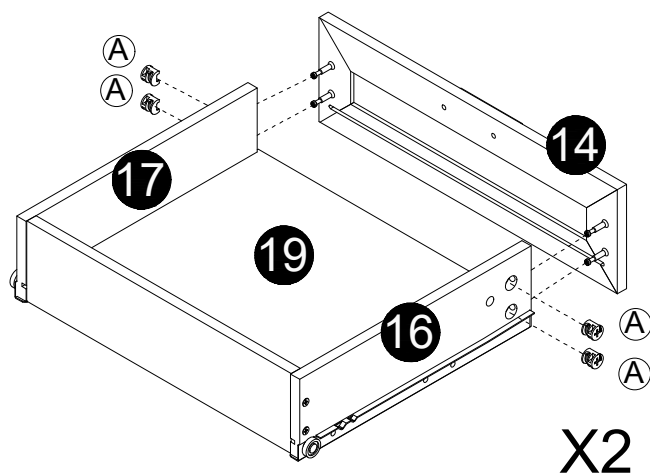
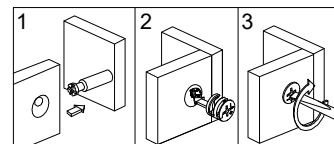
STEP 20



STEP 21



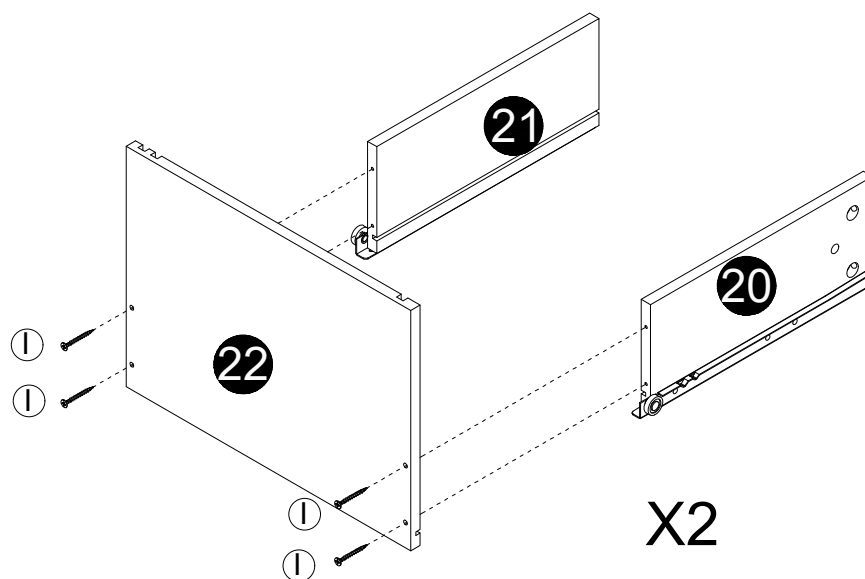
A X8



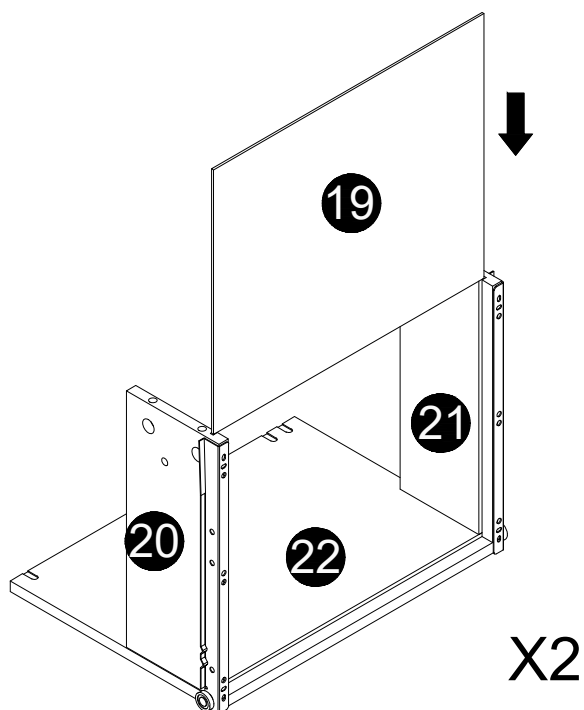
STEP 22



I X8



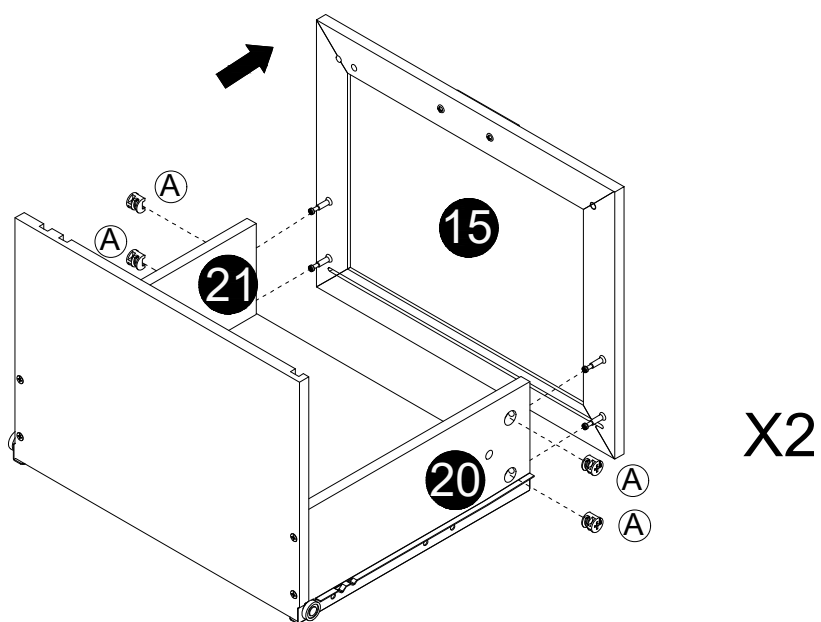
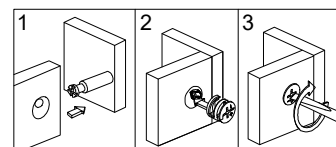
STEP 23



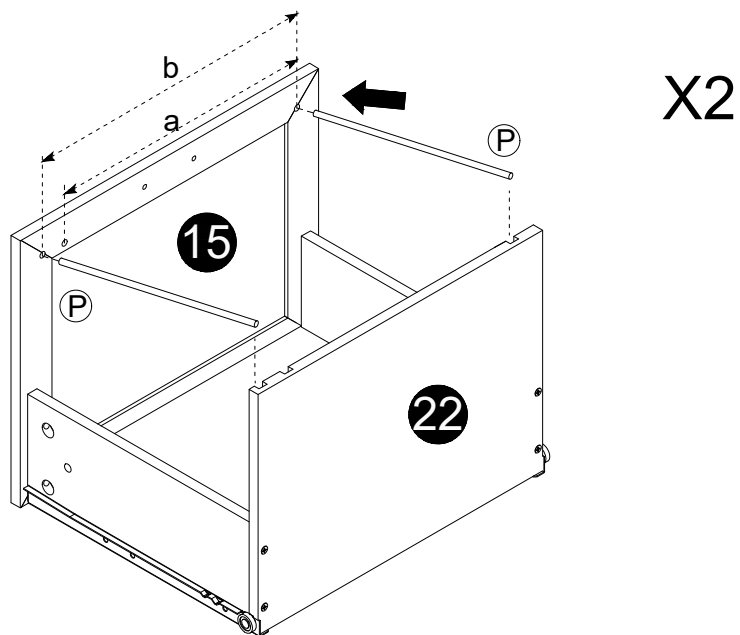
STEP 24



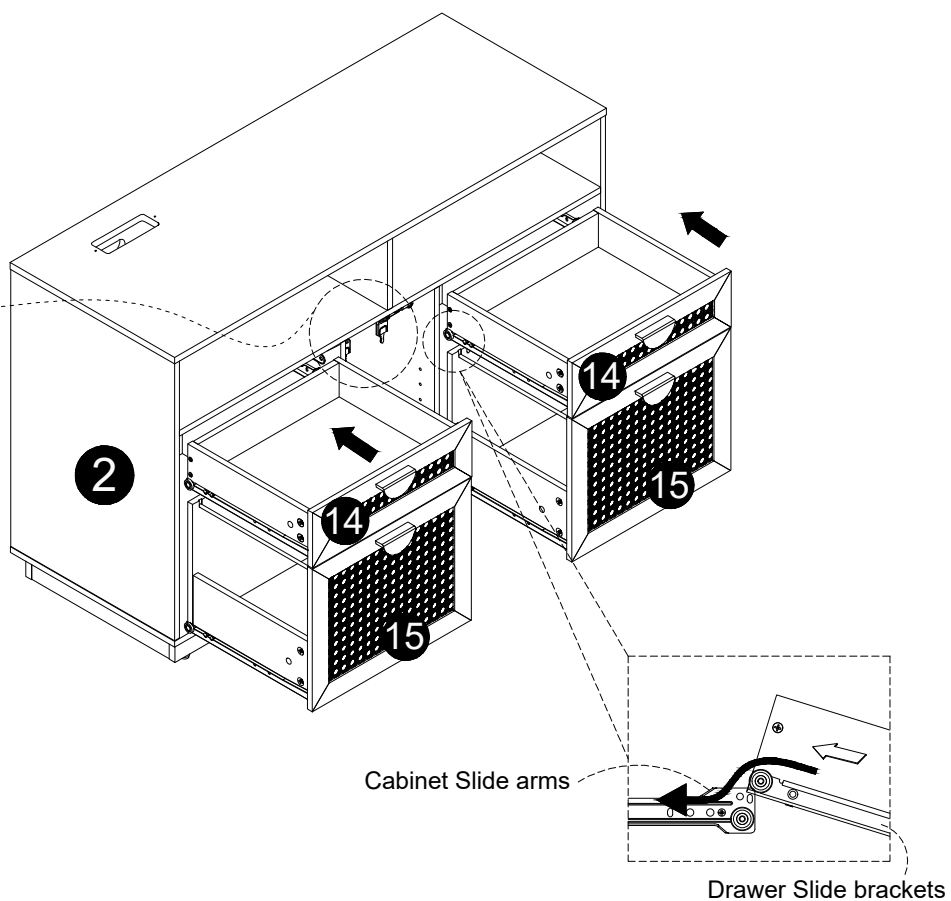
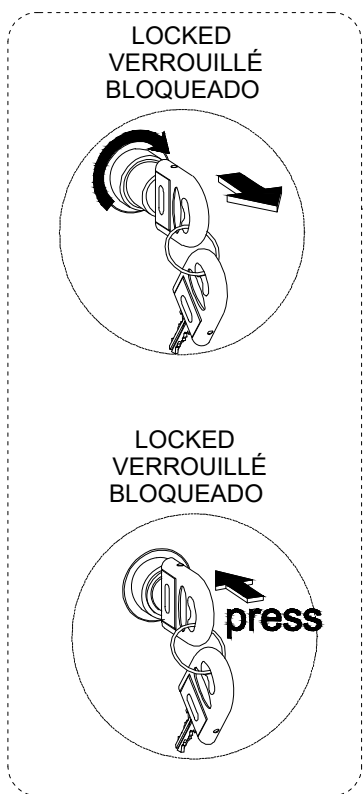
A X8



STEP 25



STEP 26

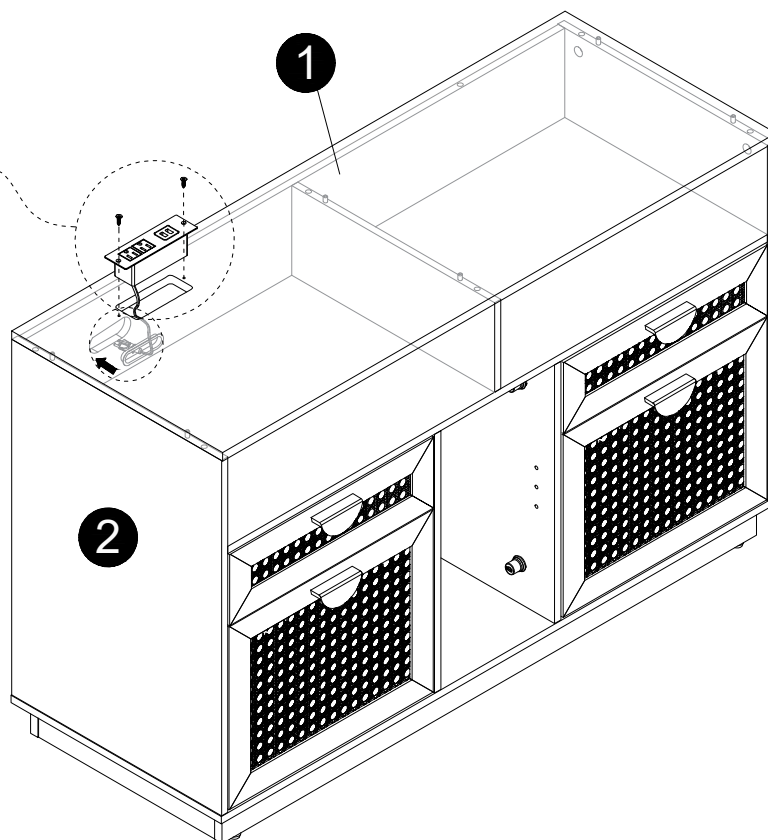
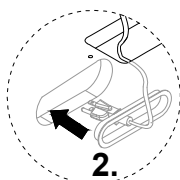
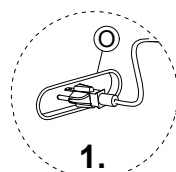
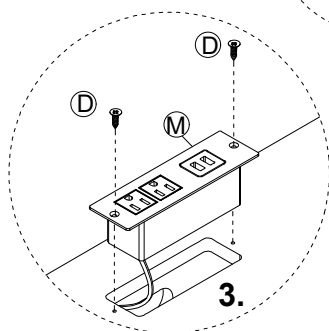


STEP 27

 **D** X2

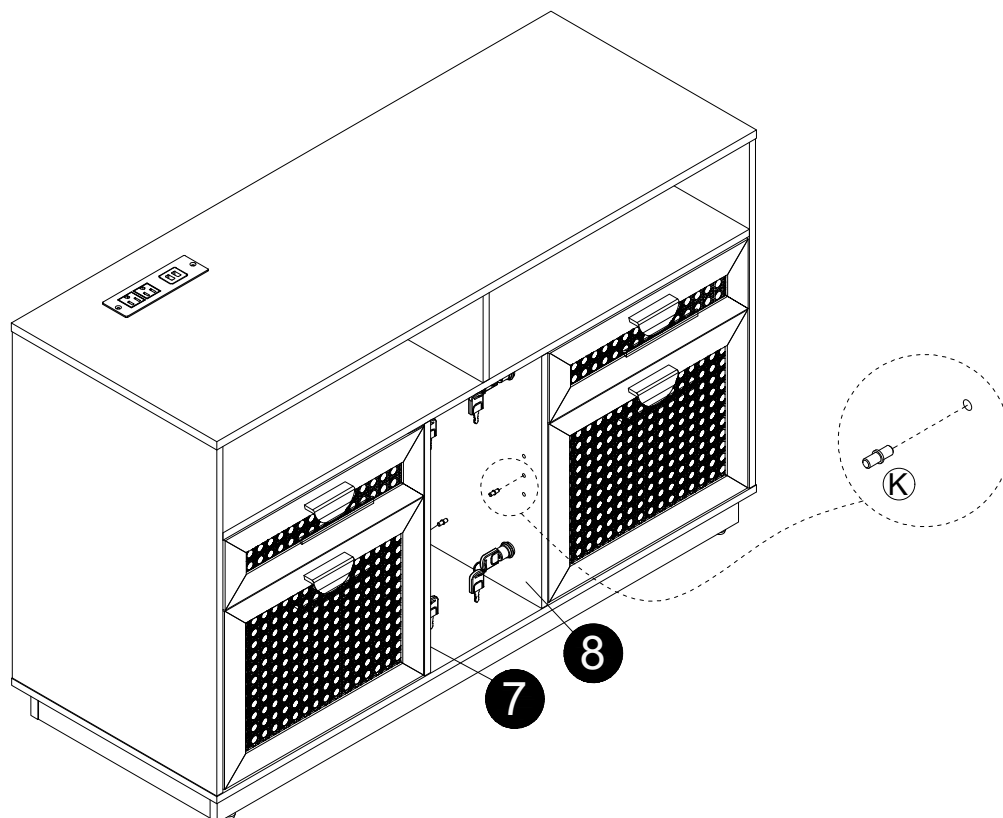
 **M** X1

 **O** X1

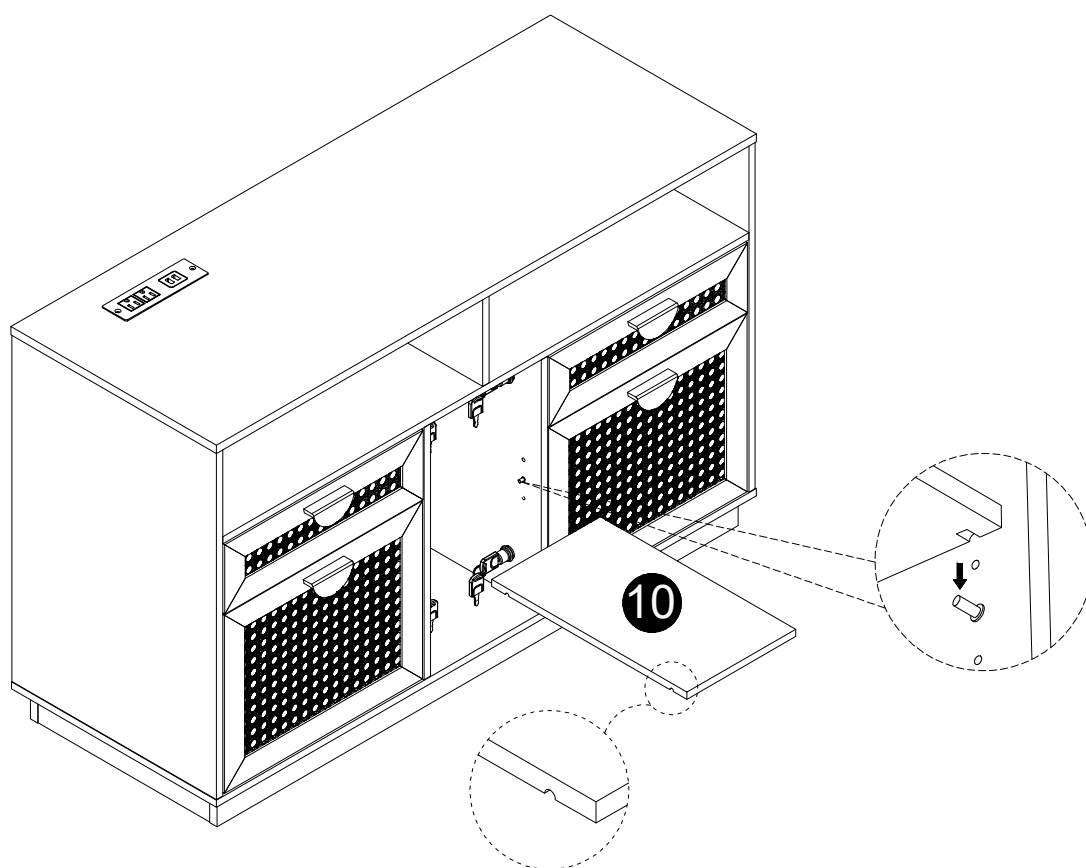


STEP 28

 **K** X4



STEP 29



STEP 30

