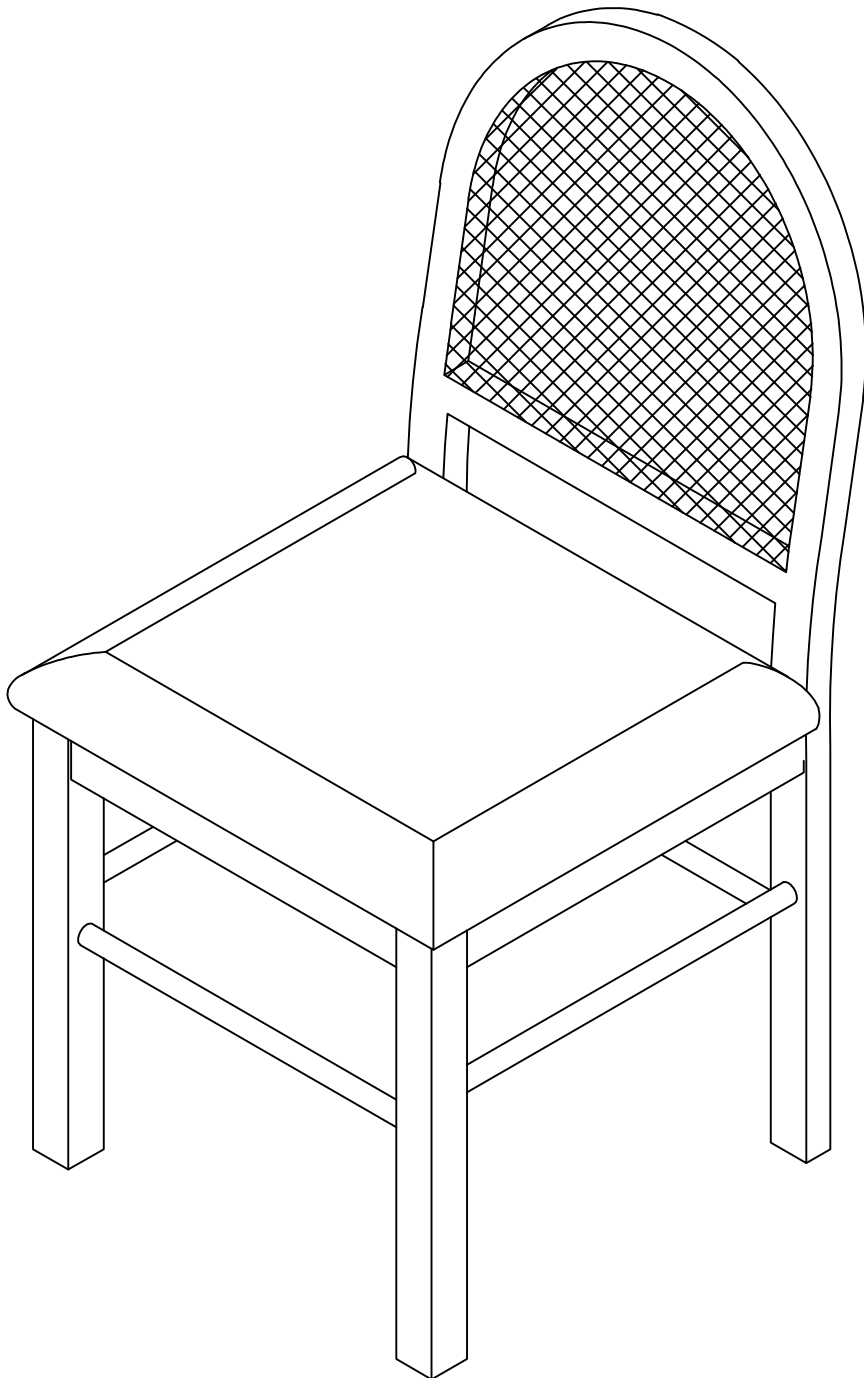


# Assembly Instruction

## DINING CHAIR

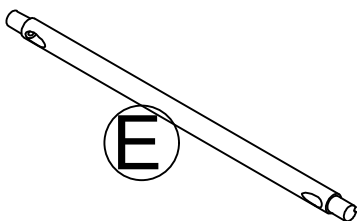
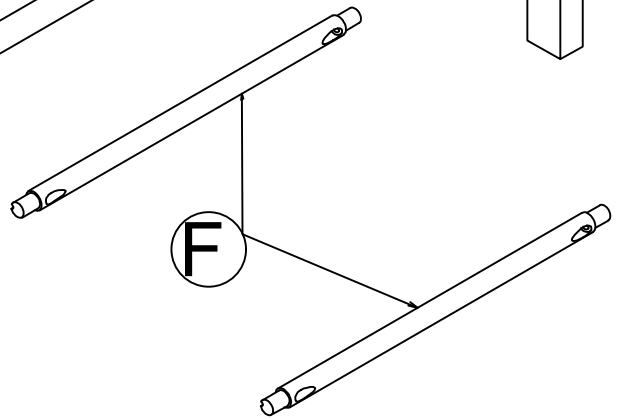
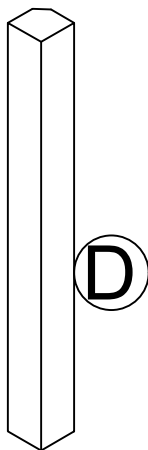
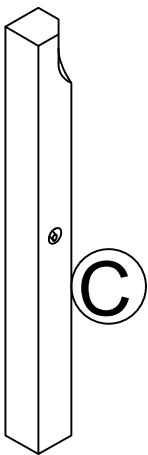
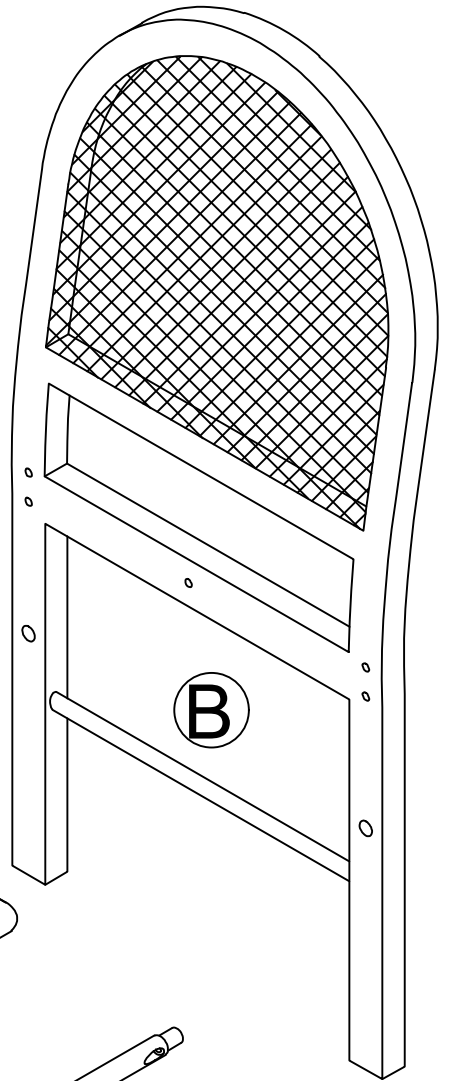
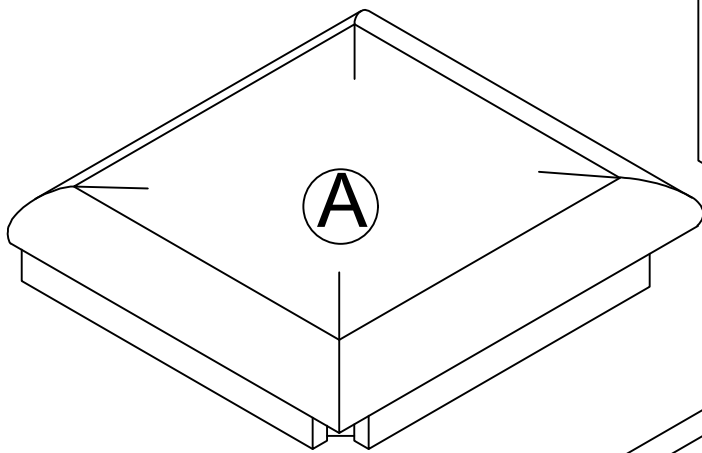


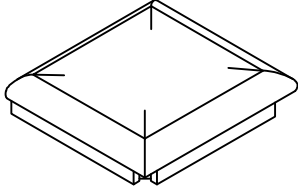
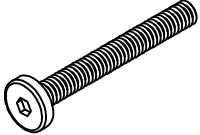
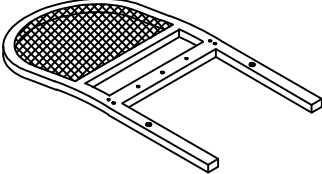
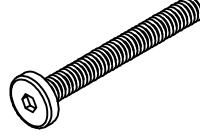
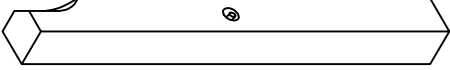
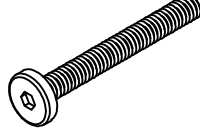
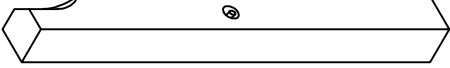

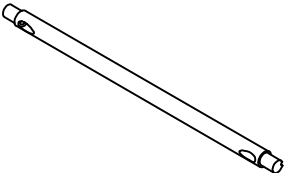

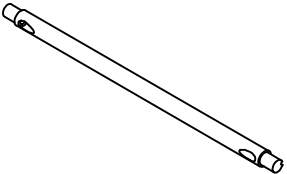
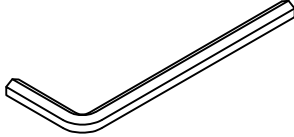

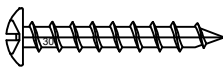
Please read these instructions fully before starting assembly:

1. Place all wooden parts on a clean and smooth surface such as a rug or carpet to avoid scratching the parts.
2. Kindly follow the assembly instructions step by step.
3. Do not tighten all screws and bolts until the table is fully assembled.
4. Unscrew the protective plastique supports from the metal insert of the table legs before assembly.
5. Parts of the assembly will be easier with 2 people.

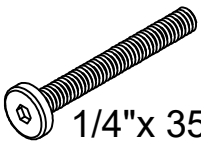
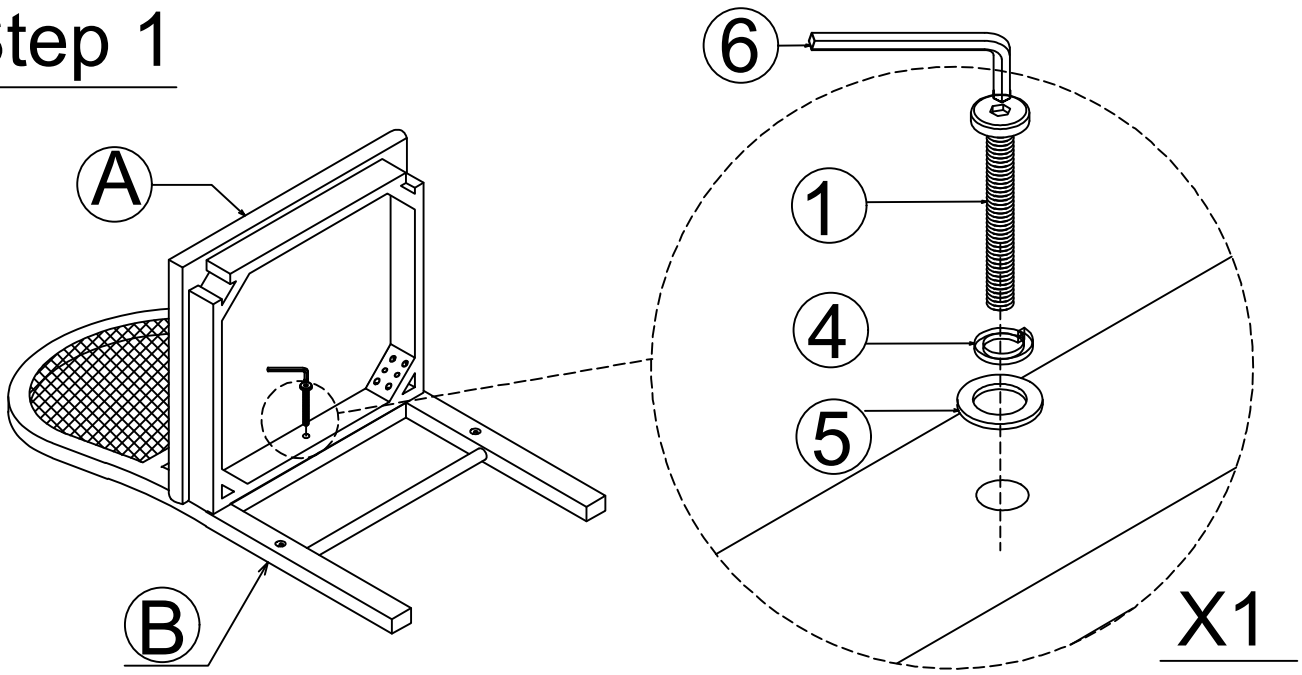
Care and maintenance:

Only clean using a damp cloth and mild detergent, do not use bleach or abrasive cleaners



Part list for one	Hardware list for one
<p data-bbox="97 197 172 271">A</p>  <p data-bbox="256 383 663 432">Seat Cushion (1pc)</p>	<p data-bbox="821 197 896 271">1</p>  <p data-bbox="1062 320 1310 360">1/4"x 35mm</p> <p data-bbox="1031 383 1273 432">BOLT (1pc)</p>
<p data-bbox="97 465 172 539">B</p>  <p data-bbox="256 651 611 701">Chair Back (1pc)</p>	<p data-bbox="821 465 896 539">2</p>  <p data-bbox="1062 589 1310 629">1/4"x 50mm</p> <p data-bbox="1031 651 1297 701">BOLT (4pcs)</p>
<p data-bbox="97 734 172 808">C</p>  <p data-bbox="252 920 699 969">Front Leg (Left) (1pc)</p>	<p data-bbox="821 734 896 808">3</p>  <p data-bbox="1062 857 1310 898">1/4"x 70mm</p> <p data-bbox="1031 920 1297 969">BOLT (4pcs)</p>
<p data-bbox="97 1003 172 1077">D</p>  <p data-bbox="252 1189 735 1238">Front Leg (Right) (1pc)</p>	<p data-bbox="821 1003 896 1077">4</p>  <p data-bbox="983 1111 1350 1151">Ø1/4"x13x1.5mm</p> <p data-bbox="951 1189 1409 1238">Spring Washer (9pcs)</p>
<p data-bbox="97 1272 172 1346">E</p>  <p data-bbox="252 1458 691 1507">Front Stretcher (1pc)</p>	<p data-bbox="821 1272 896 1346">5</p>  <p data-bbox="983 1373 1350 1413">Ø1/4"x16x1.5mm</p> <p data-bbox="951 1458 1350 1507">Flat Washer (9pcs)</p>
<p data-bbox="97 1541 172 1615">F</p>  <p data-bbox="252 1727 703 1776">Side Stretcher (2pcs)</p>	<p data-bbox="821 1541 896 1615">6</p>  <p data-bbox="951 1727 1477 1776">4mm Allen Wrench (1pc)</p>
<p data-bbox="75 1850 786 1951">Note: Tool required (not provided) Screwdriver</p> 	<p data-bbox="821 1809 896 1883">7</p>  <p data-bbox="1086 1917 1318 1957">#8 x 1-1/2"</p> <p data-bbox="951 1984 1366 2033">Wood Screw (6pcs)</p>

# Step 1



1/4"x 35mm

1 x 1



Ø1/4"x13x1.5mm

4 x 1



Ø1/4"x16x1.5mm

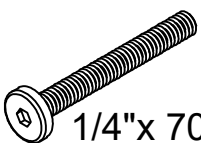
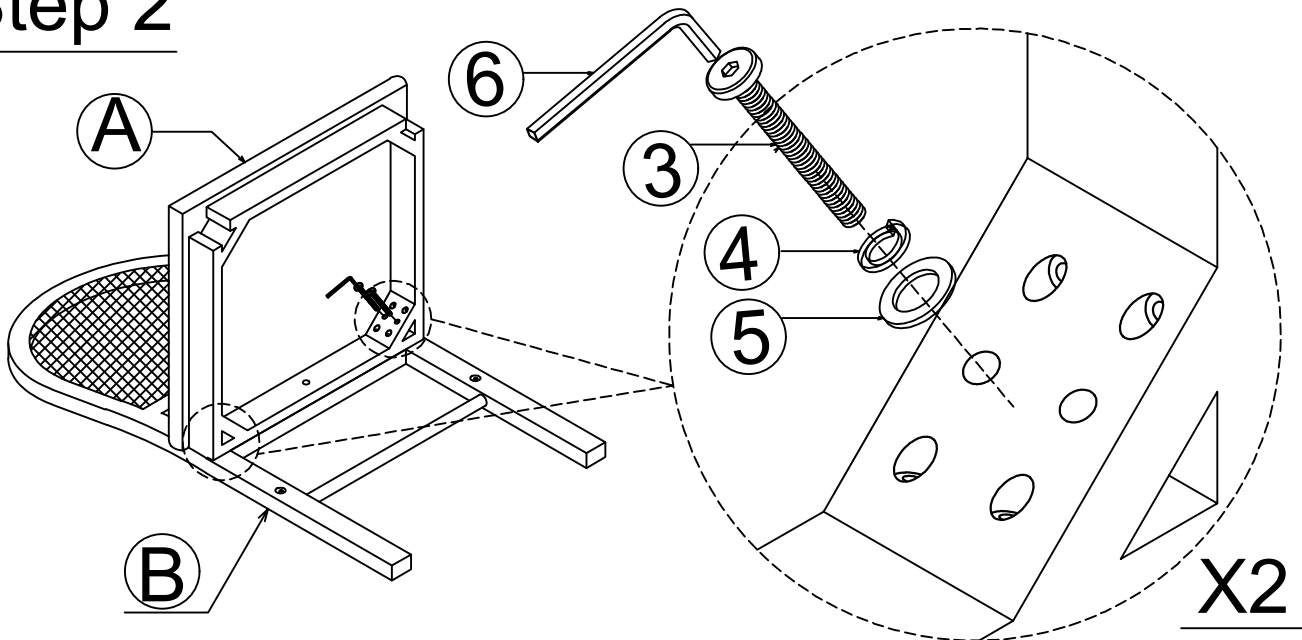
5 x 1



4mm Allen Wrench

6 x 1

# Step 2



1/4"x 70mm

3 x 4



Ø1/4"x13x1.5mm

4 x 4



Ø1/4"x16x1.5mm

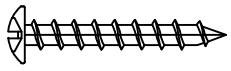
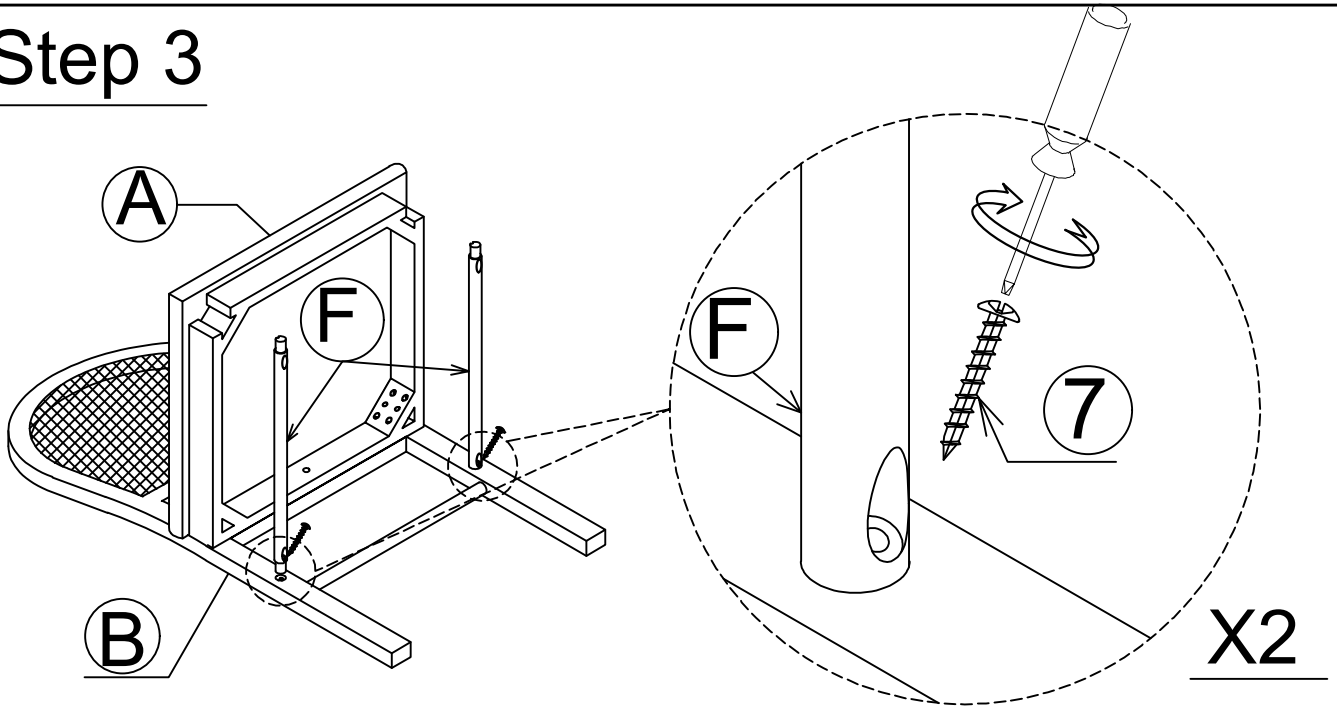
5 x 4



4mm Allen Wrench

6 x 1

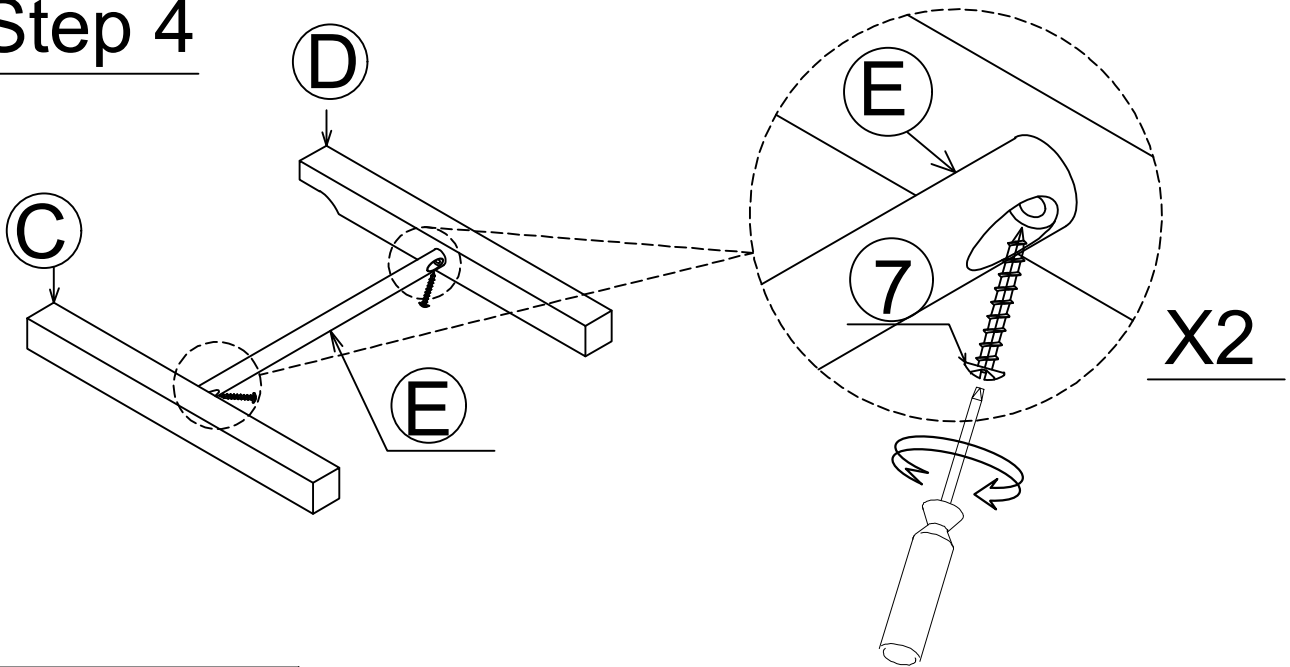
# Step 3



#8 x 1-1/2"

7 x 2

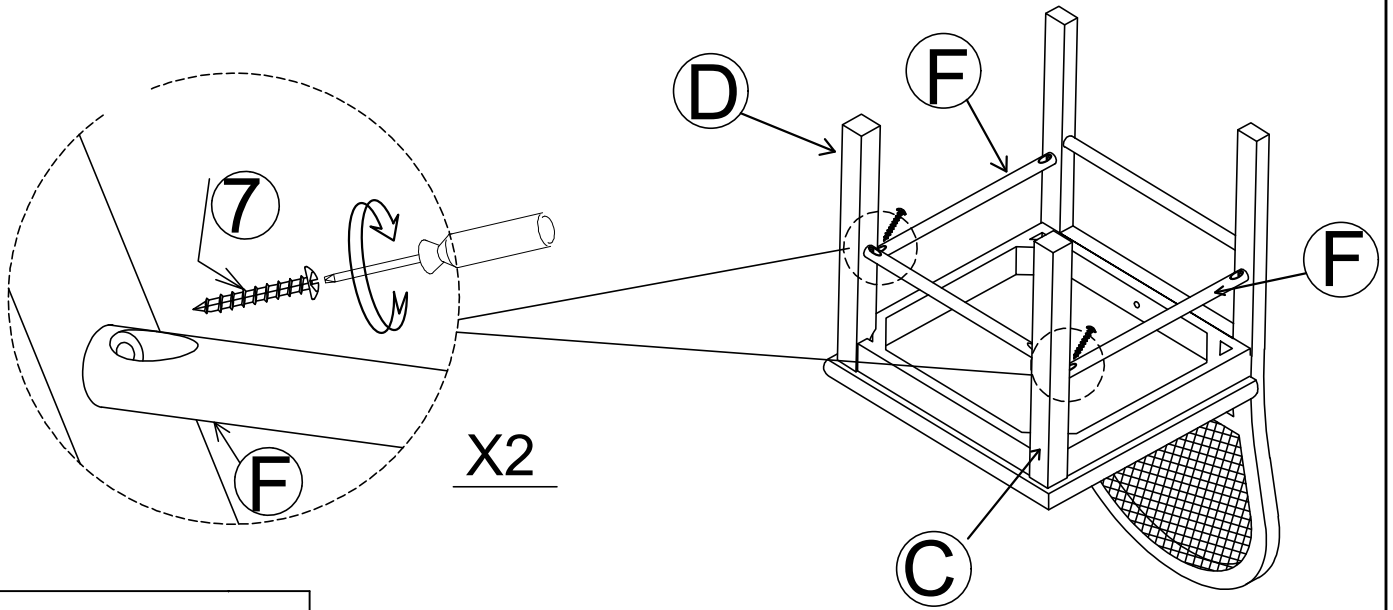
# Step 4



#8 x 1-1/2"

7 x 2

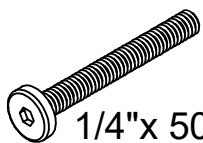
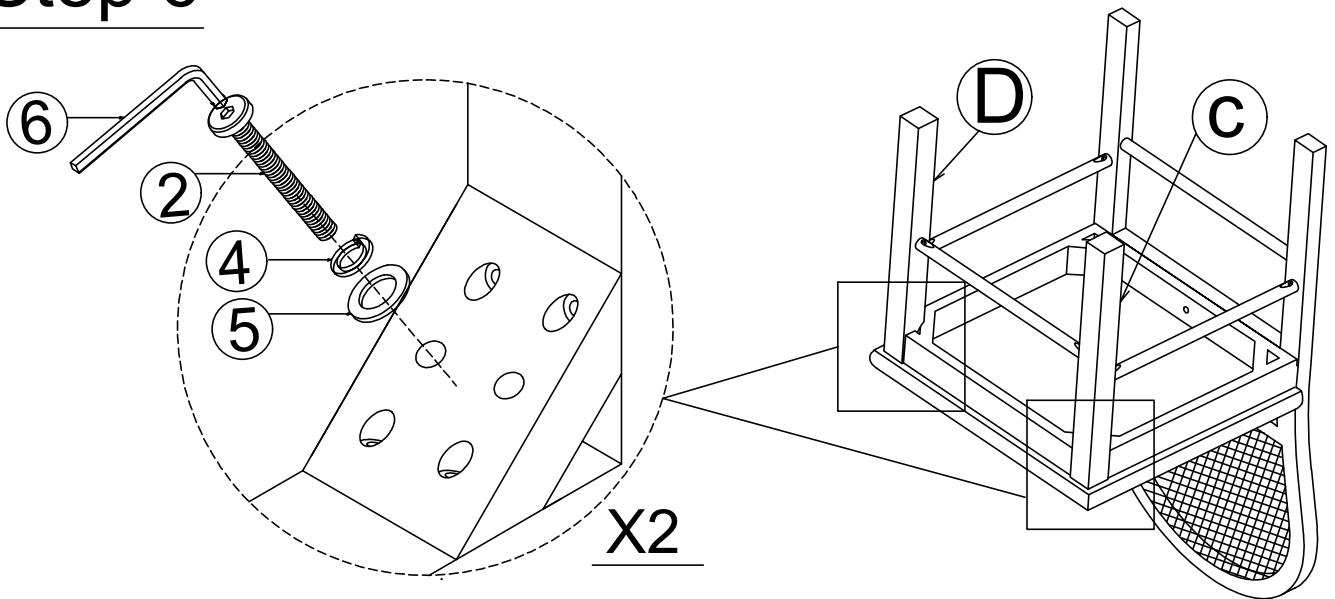
# Step 5



#8 x 1-1/2"

7 x 2

# Step 6



1/4"x 50mm

2 x 4



Ø1/4"x13x1.5mm

4 x 4



Ø1/4"x16x1.5mm

5 x 4



4mm Allen Wrench

6 x 1

# Complete

