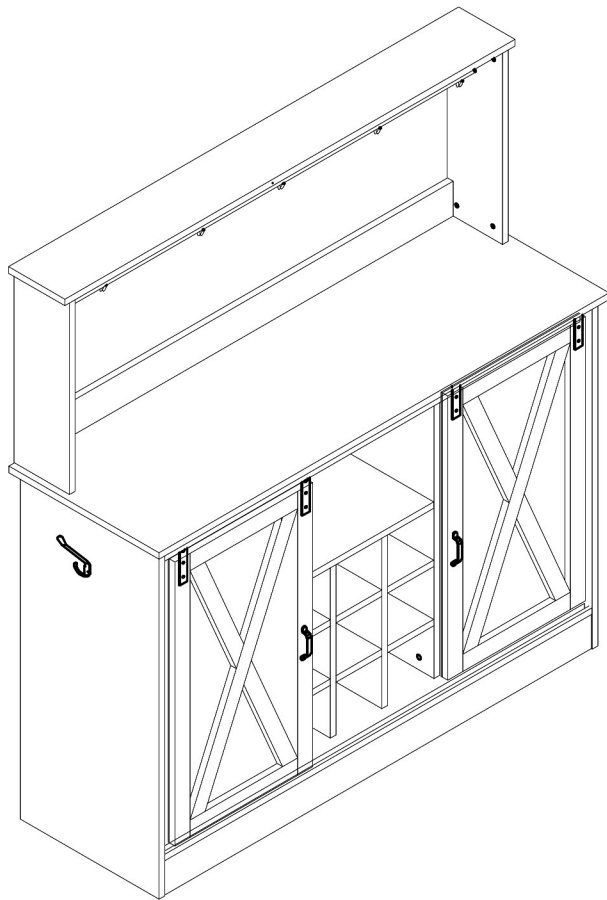


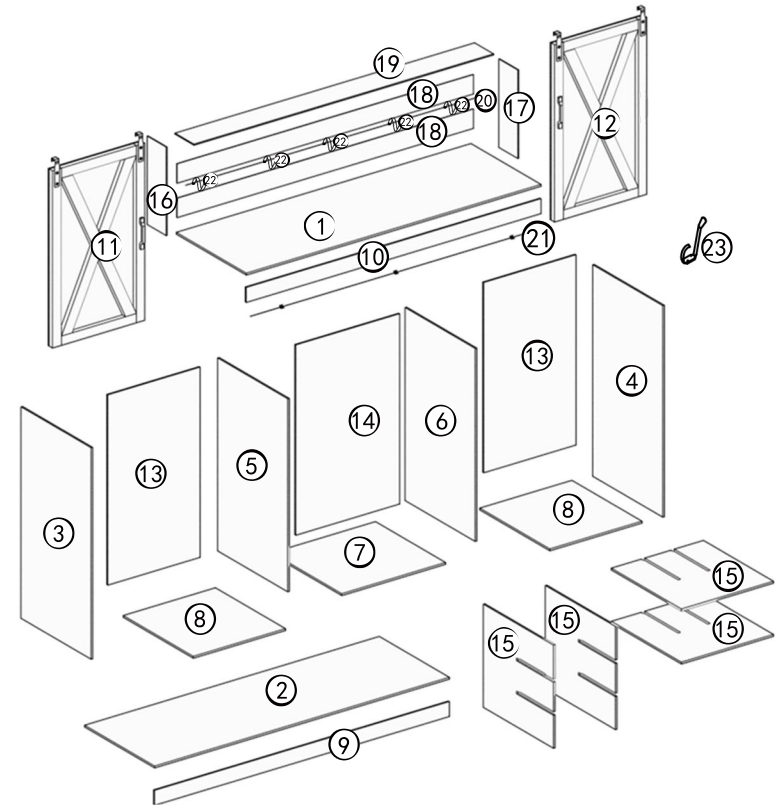
USER'S MANUAL

Buffet Sideboard

SKU: LI006301

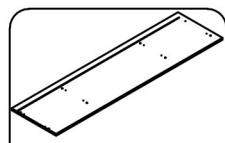
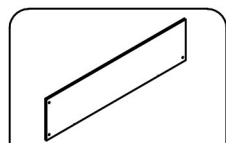
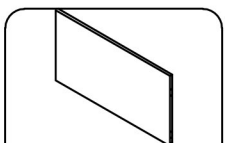
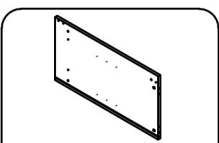
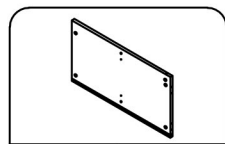
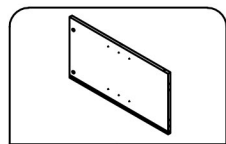
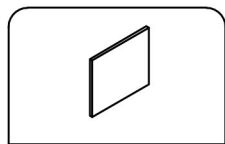
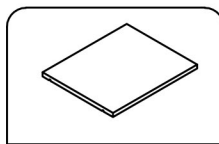
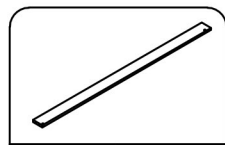
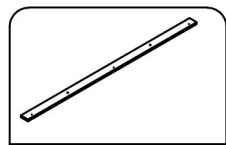
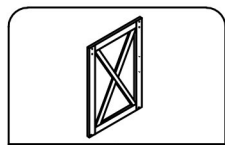
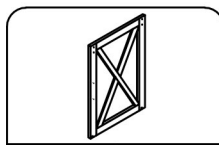
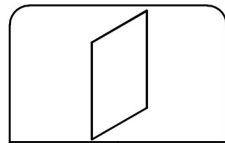
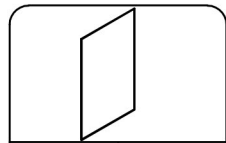
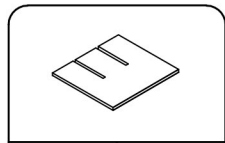
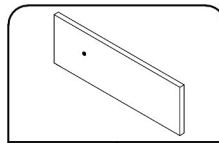
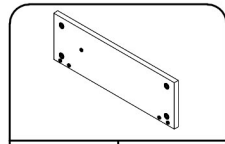
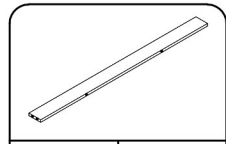
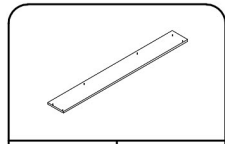
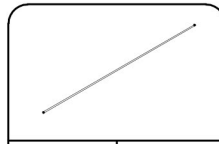
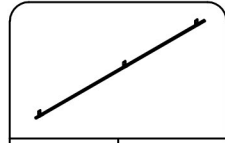
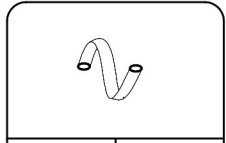
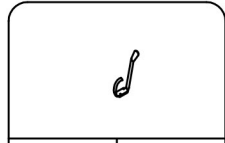


BOARD IDENTIFICATION

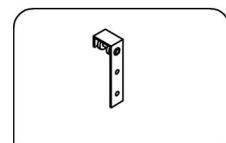
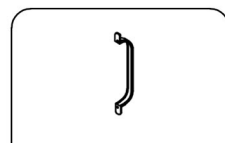
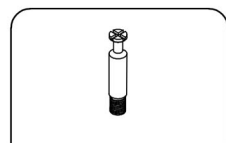
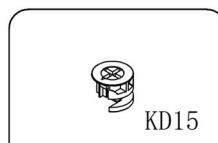
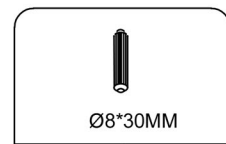
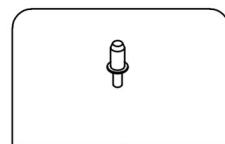
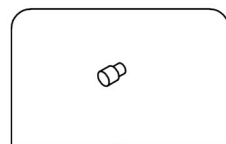

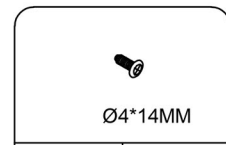
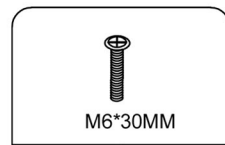



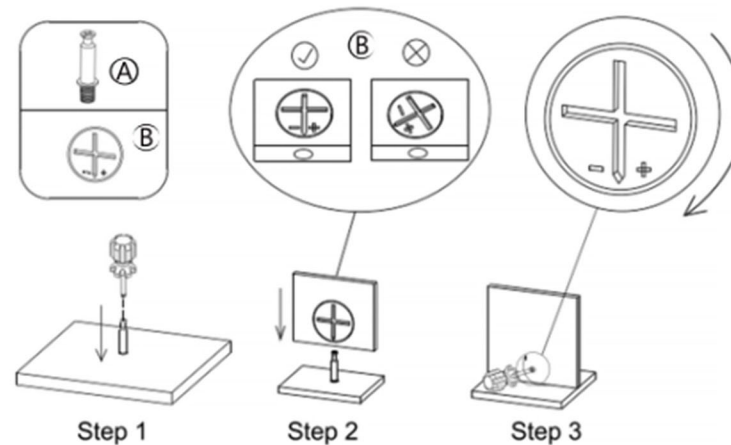
- I. Ensure that all parts and hardware are available before beginning assembly.
- II. Follow each step carefully to ensure the proper assembly of the product.
- III. Two people are recommended for ease in the assembly of this product.
- IV. Please contact us via the "Contact Seller" button in the detail page of your order for any concern and we'll respond as soon as possible.

Part List

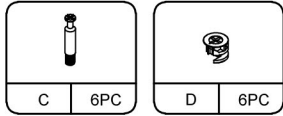
			
1 1PC	2 1PC	3 1PC	4 1PC
			
5 1PC	6 1PC	7 1PC	8 2PC
			
9 1PC	10 1PC	11 1PC	12 1PC
			
13 2PC	14 1PC	15 4PC	16 1PC
			
17 1PC	18 2PC	19 1PC	20 1PC
			
21 1PC	22 6PC	23 1PC	

Hardware List

			
A 4PC	B 2PC	C 44PC	D 44PC
			
Ø8*30MM E 24PC	F 4PC	G 8PC	M4*22MM H 4PC
			
Ø4*14MM I 11PC	M6*30MM J 2PC	Ø3*14MM K 2PC	

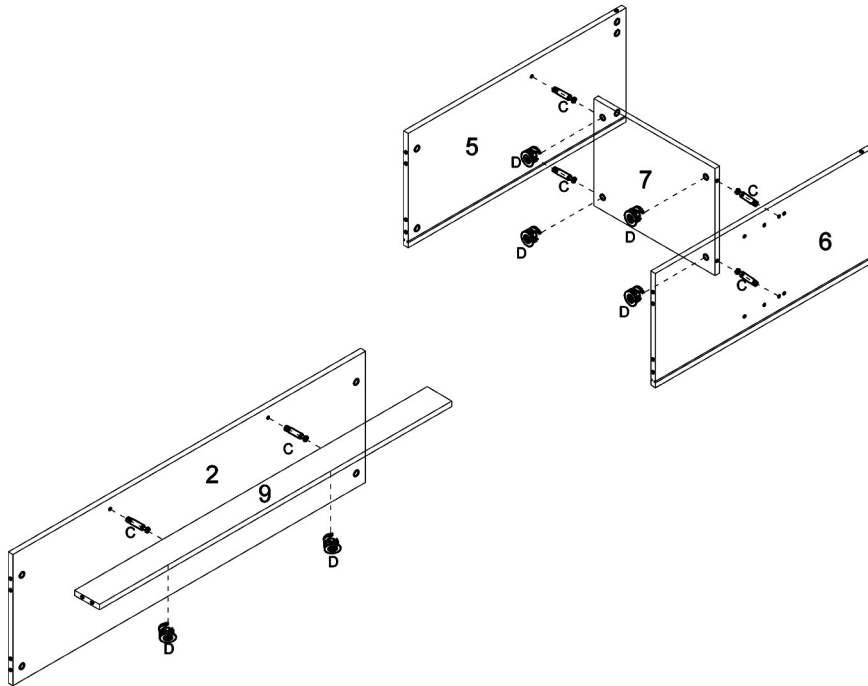


STEP 1

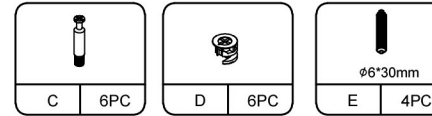


Insert part C into panel 2, 5, 6.

Attach panel 9, 7 to panel 2, 5, 6, then insert and secure cam lock D to panel 9, 7 to lock panel 2, 5, 6.



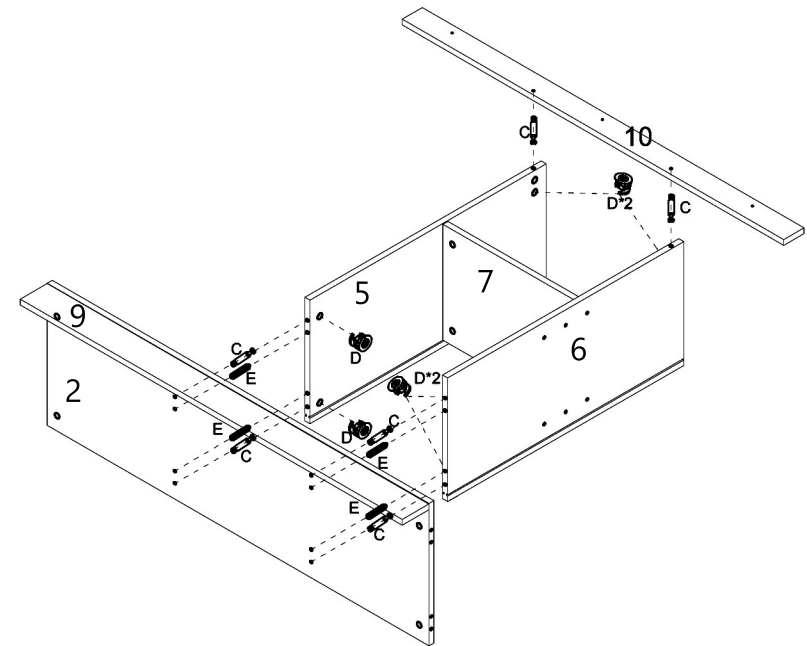
STEP 2



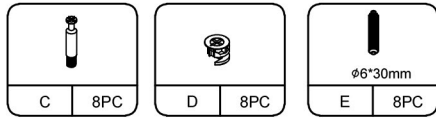
Insert part C, E into panel 2.

Insert part C into panel 10.

Attach panel 2, 10 to panel 5, 6, then insert and secure cam lock D to panel 5, 6 to lock panel 2, 10.

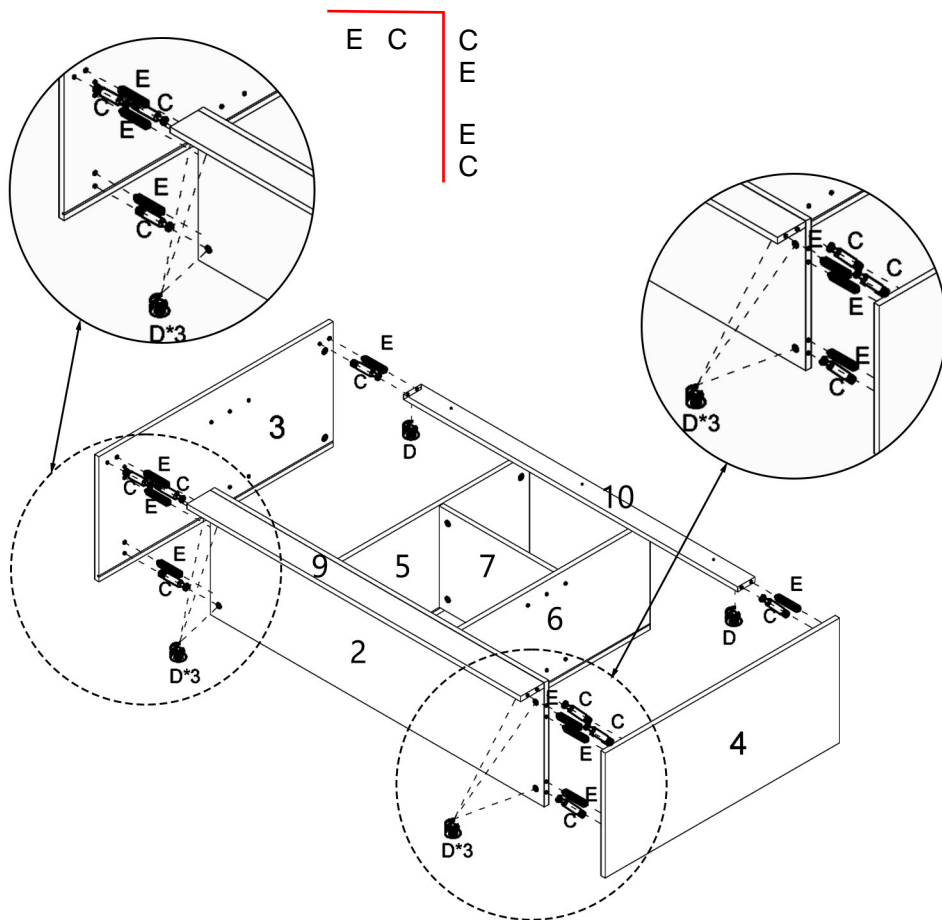


STEP 3



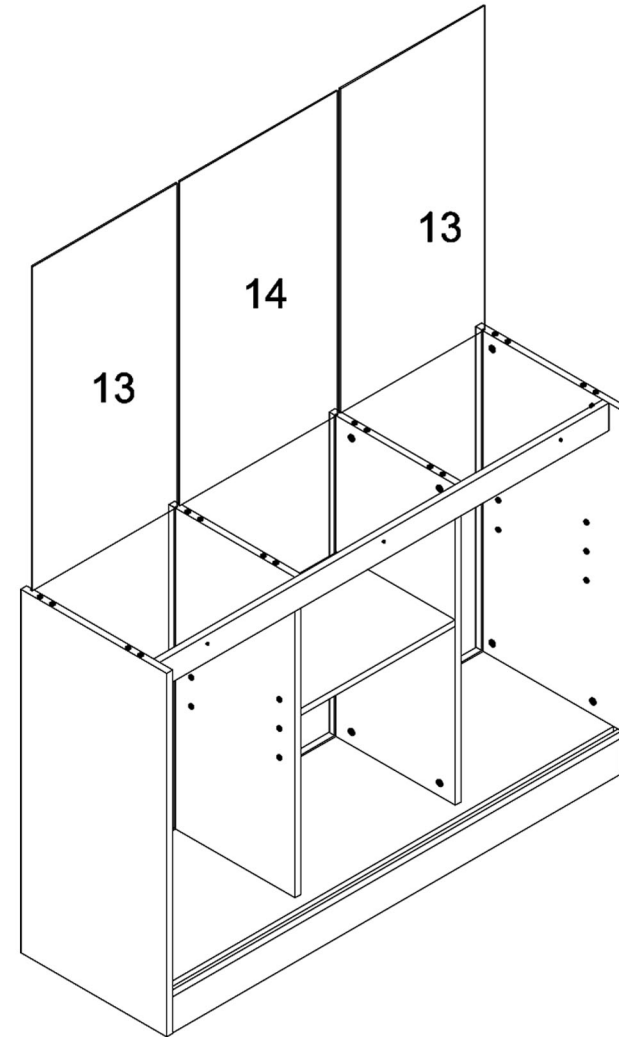
Insert part C, E into panel 3, 4.

Attach panel 3, 4 to panel 2, 9, 10, then insert and secure cam lock D to panel 2, 9, 10 to lock panel 3, 4.

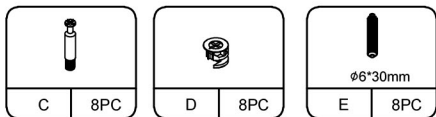


STEP 4

Slide back panel 13, 14 into groove as per diagram.



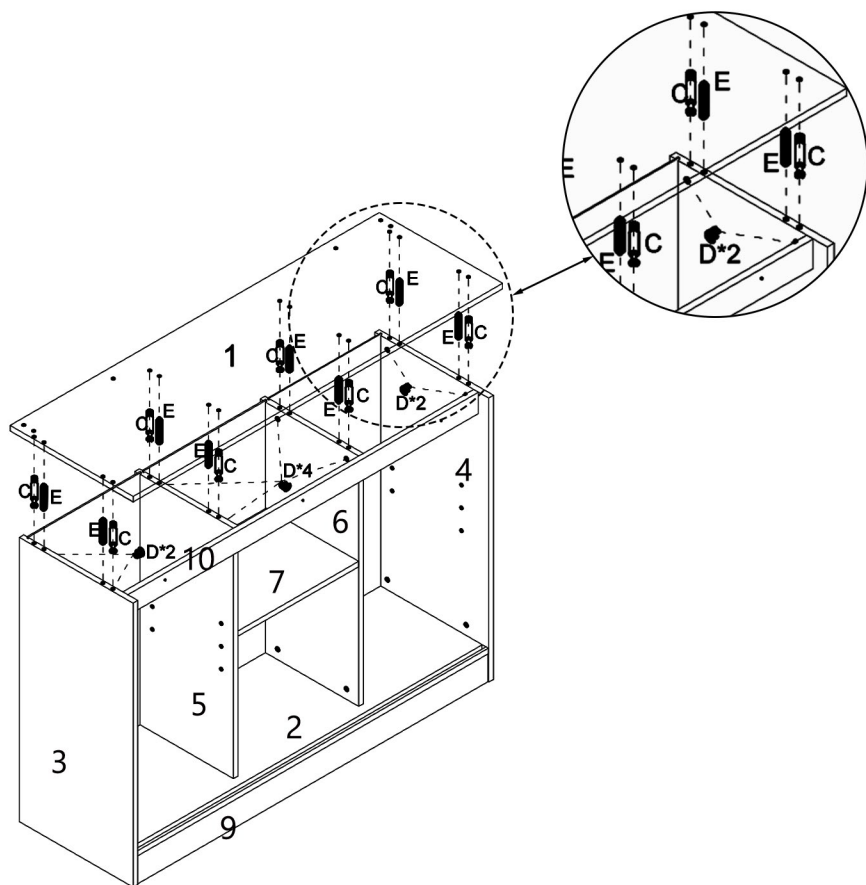
STEP 5



Insert part C into panel 1.

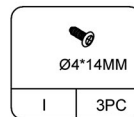
Insert part E into panel 3, 4, 5, 6.

Attach panel 1 to panel 3, 4, 5, 6, then insert and secure cam lock D to panel 3, 4, 5, 6 to lock panel 1.



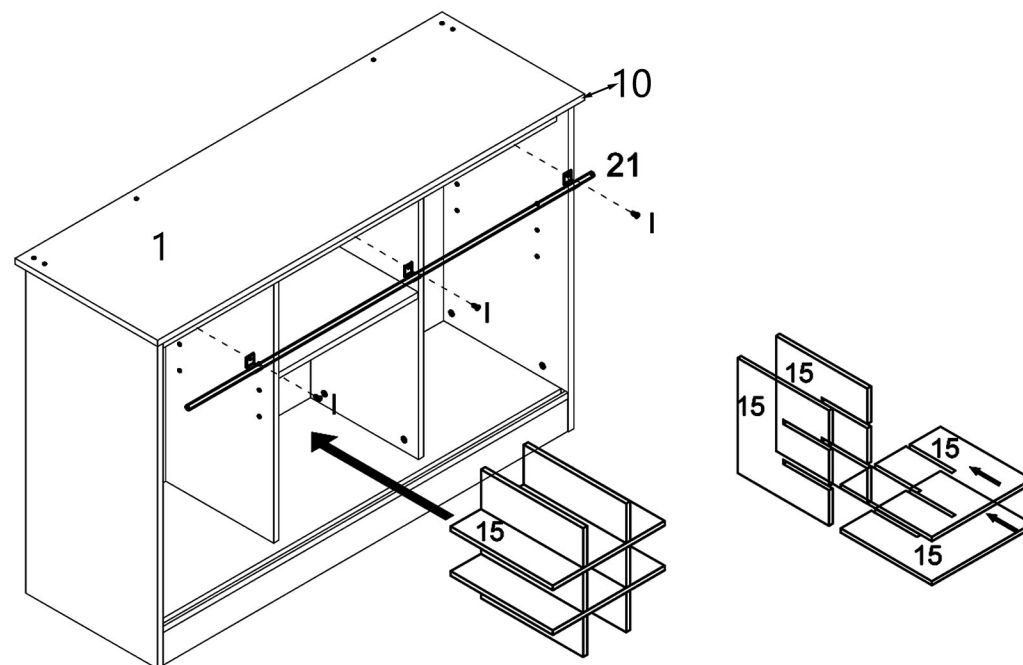
7

STEP 6



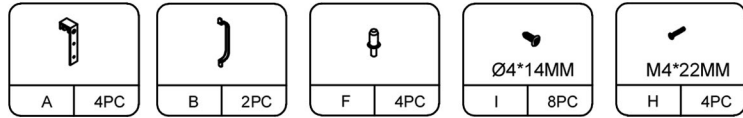
4 panel 15 cross connect as per diagram, then attach panel 15 to groove as per diagram.

Attach part 21 to panel 10 with screw I.



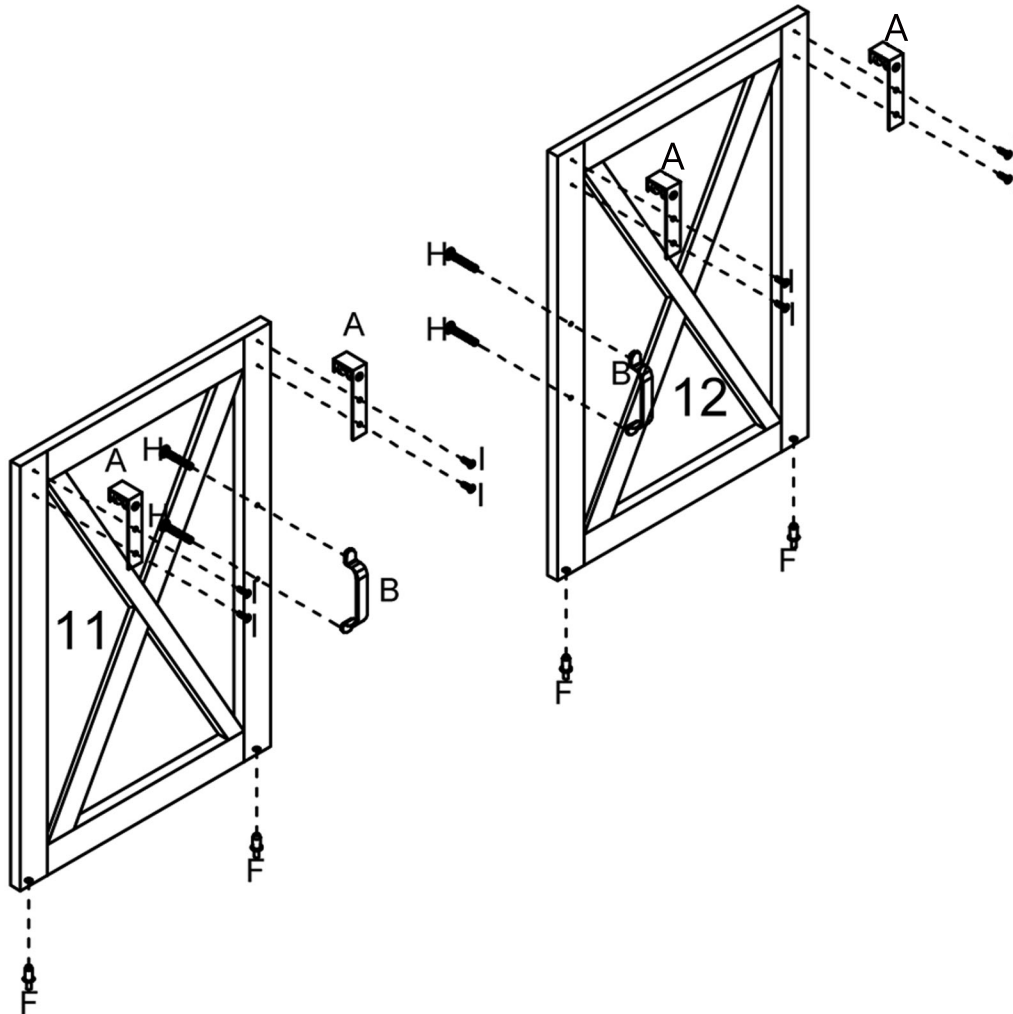
8

STEP 7



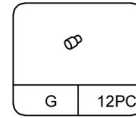
Attach part A, B to panel 11,12 with screw H, I.

Attach part F to panel 11, 12.



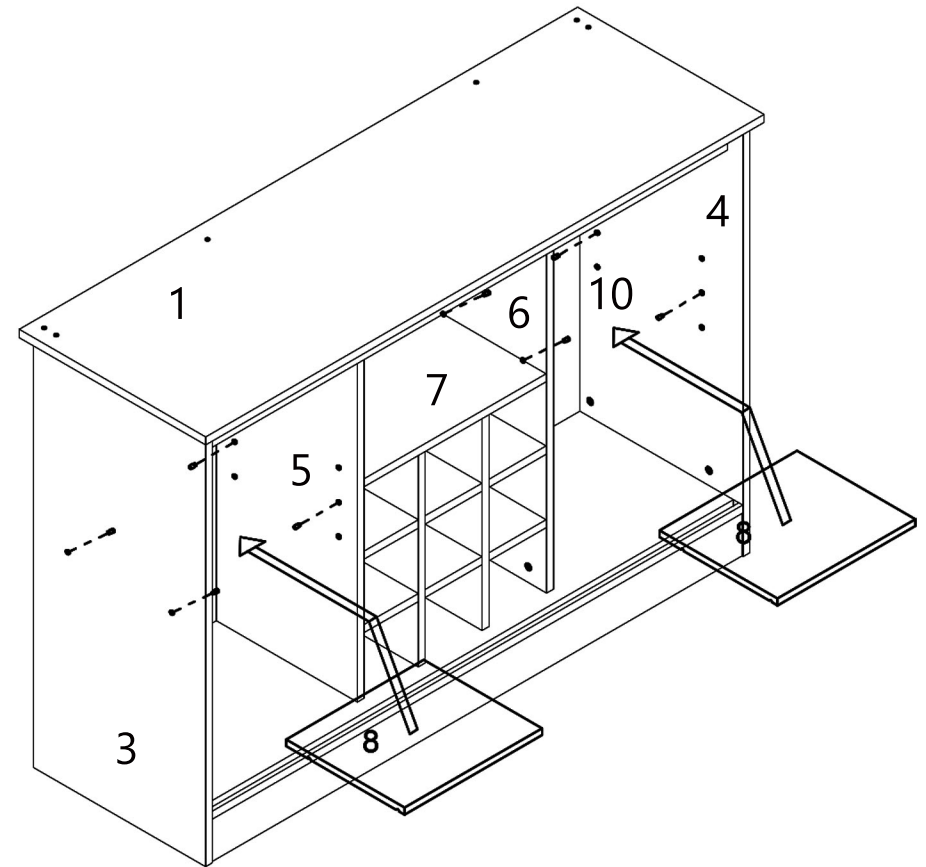
9

STEP 8



Insert part G into panel 3, 4, 5, 6.

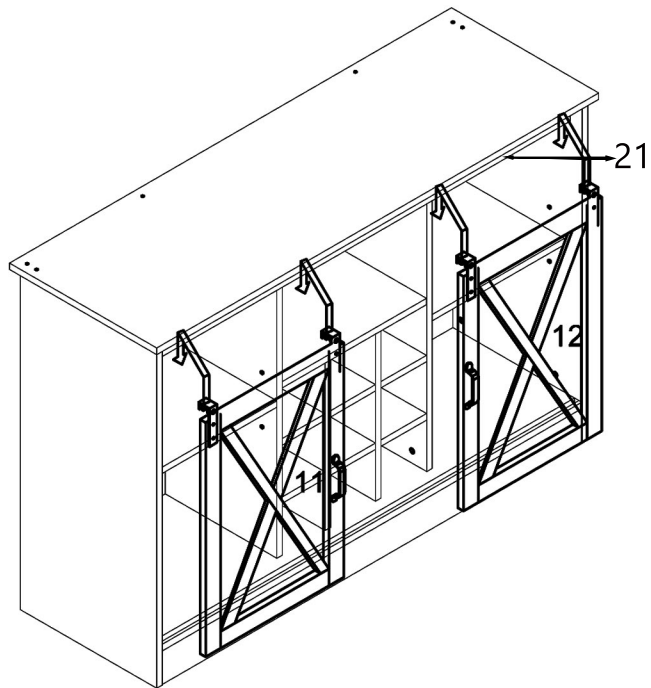
Attach panel 8 to panel 3, 4, 5, 6 with part G as per diagram.



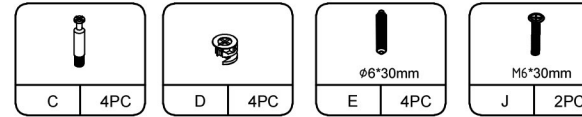
10

STEP 9

Attach panel 11, 12 to part 21 with part A as per diagram.



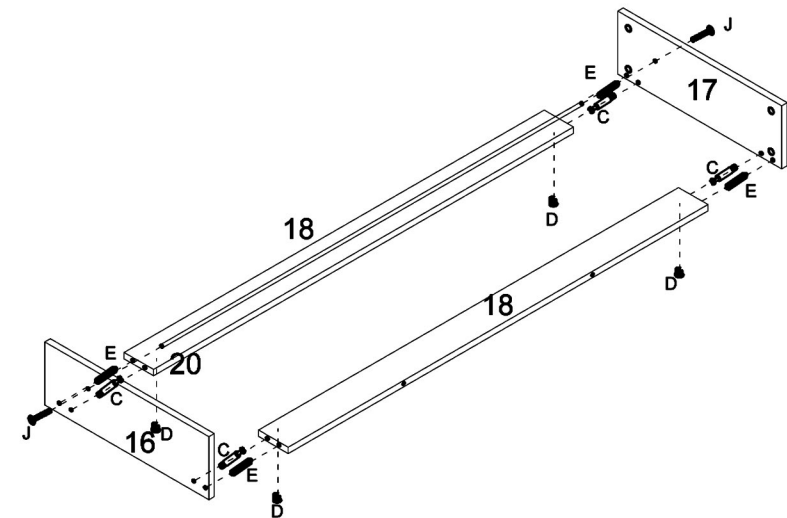
STEP 10



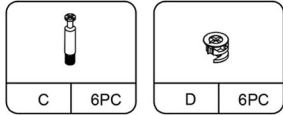
Insert part C, E into panel 16, 17.

Attach panel 16, 17 to panel 18, then insert and secure cam lock D to panel 18 to lock panel 16, 17.

Attach part 20 to panel 16, 17 with screw J.

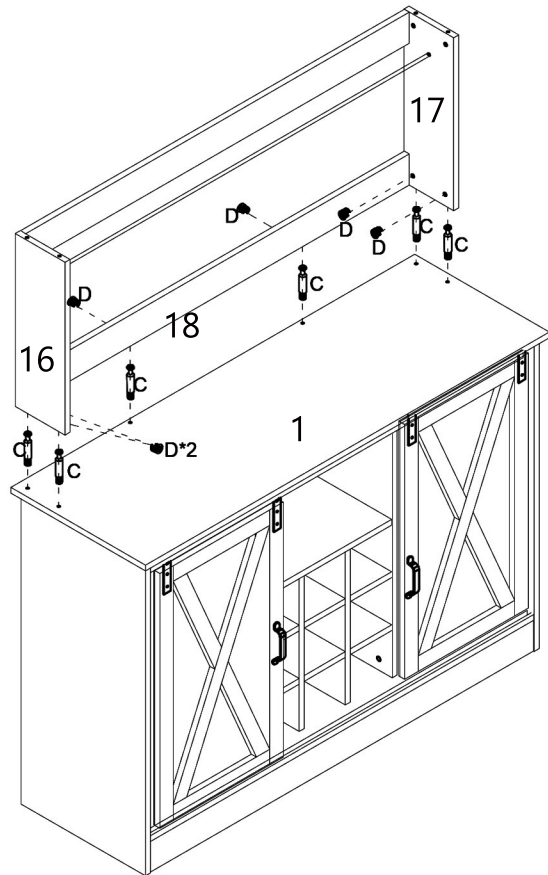


STEP 11



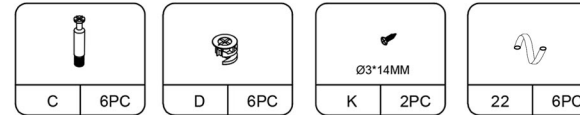
Insert part C into panel 1.

Attach panel 16, 17, 18 to panel 1, then insert and secure cam lock D to panel 16, 17, 18 to lock panel 1.



13

STEP 12

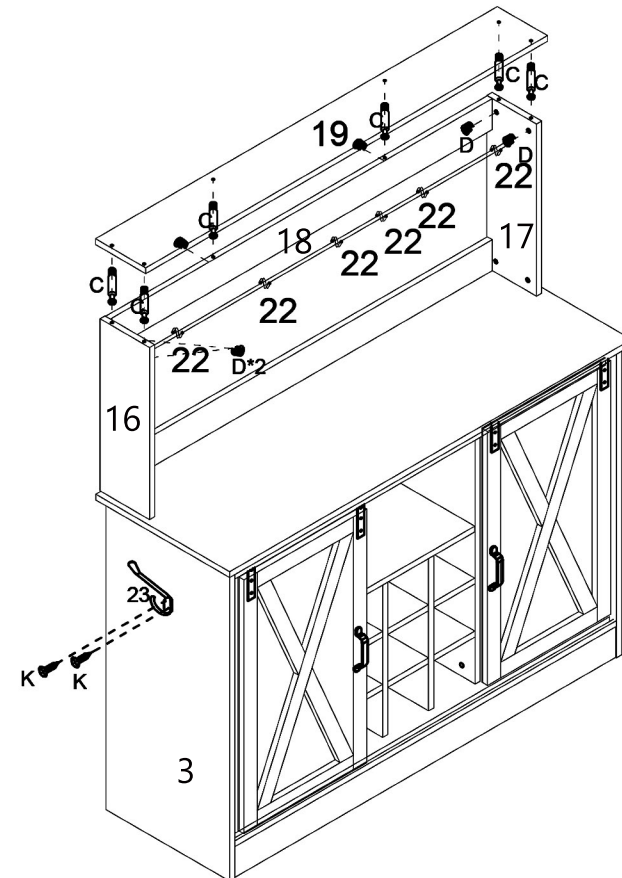


Insert part C into panel 19.

Attach panel 19 to panel 16, 17, 18, then insert and secure cam lock D to panel 16, 17, 18 to lock panel 19.

Put the 22 on the part 20.

Attach part 23 to panel 13 with screw K.



14