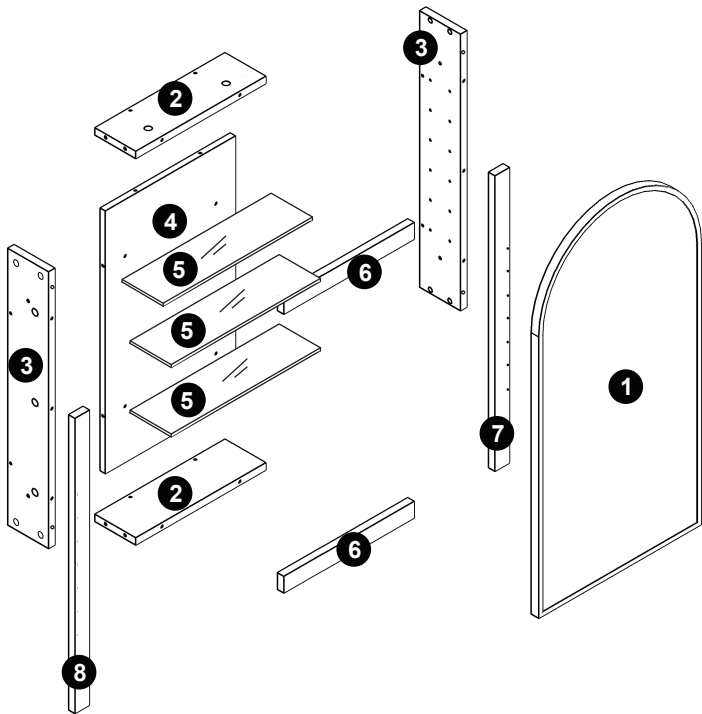
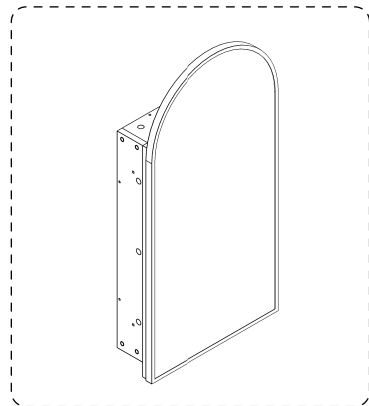


Part List



Open the package, and put the item on the mat with care.
Please install it carefully to ensure your fingers will not be scratched.



Hardware List

A



$\phi 15 \times 12 \text{mm}$
 $\times (10+2)$

B



M6*40mm
 $\times (10+2)$

C



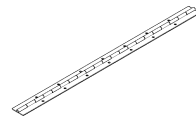
M3.5*12mm
 $\times (18+2)$

D



M5*40mm
 $\times (4+4)$

E



$\times 1$

F



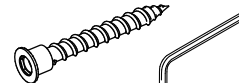
$\times 12$

G



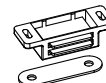
M5*80mm
 $\times (4+4)$

H



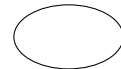
M5*35mm
 $\times (16+2)$

I



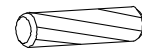
$\times 1$

J



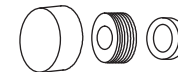
$\times (10+1)$

K



$\phi 8 \times 40 \text{mm}$
 $\times 4$

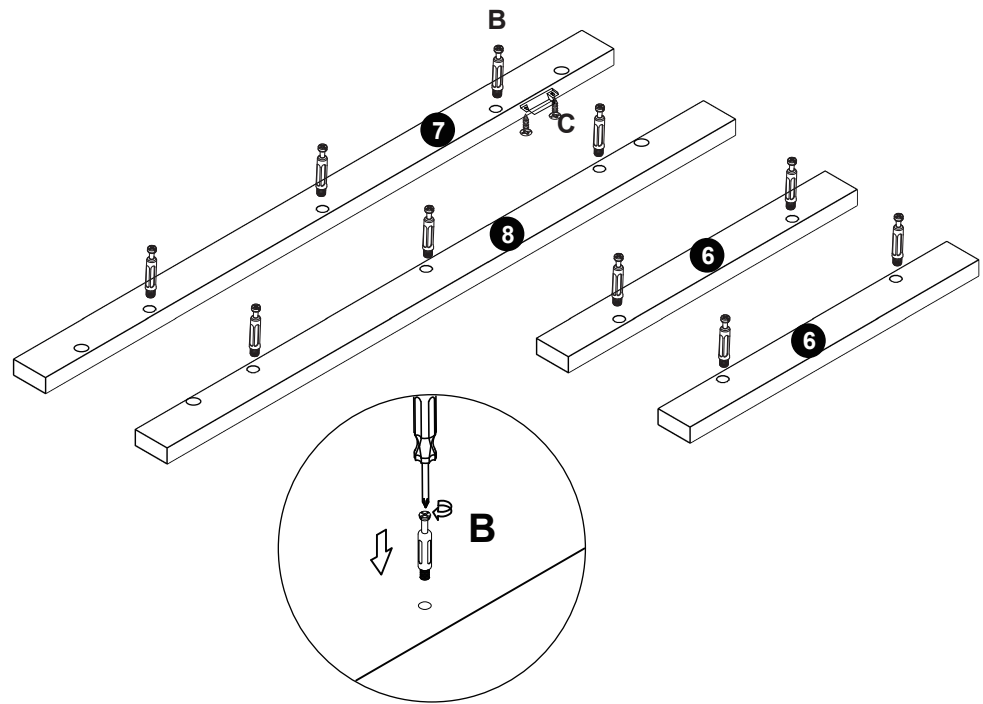
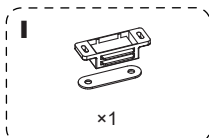
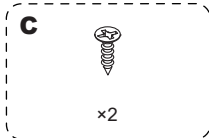
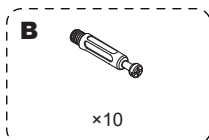
L



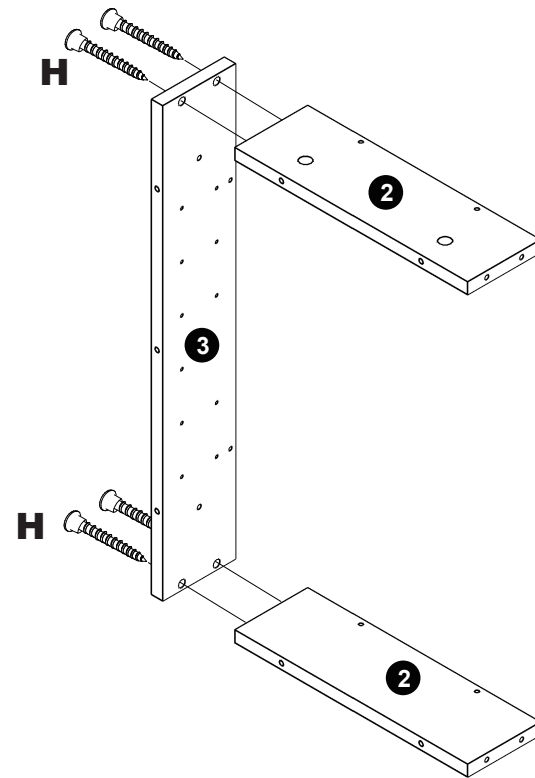
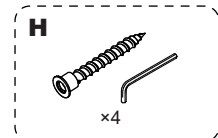
$\times 4$

Start...

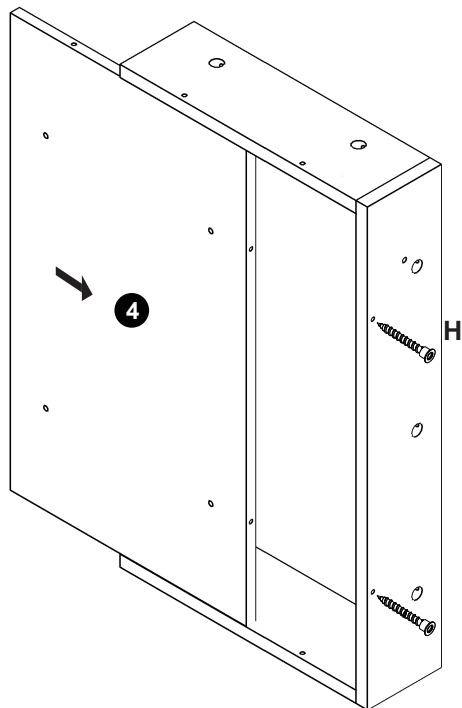
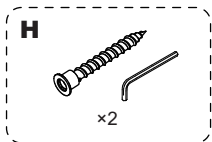
| Step1



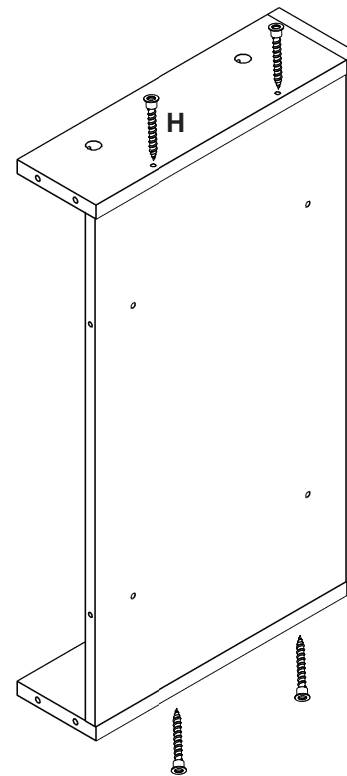
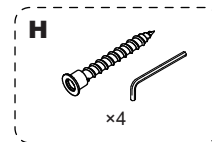
| Step2



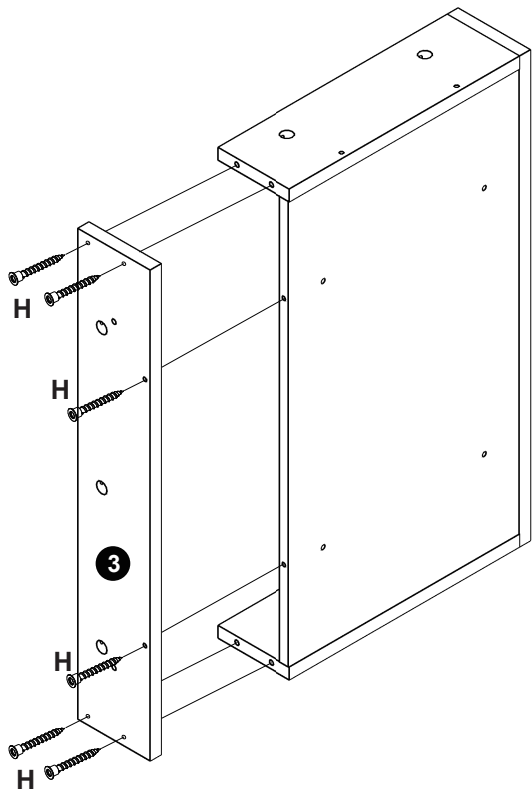
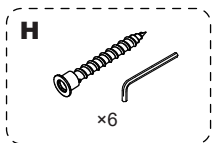
| Step3



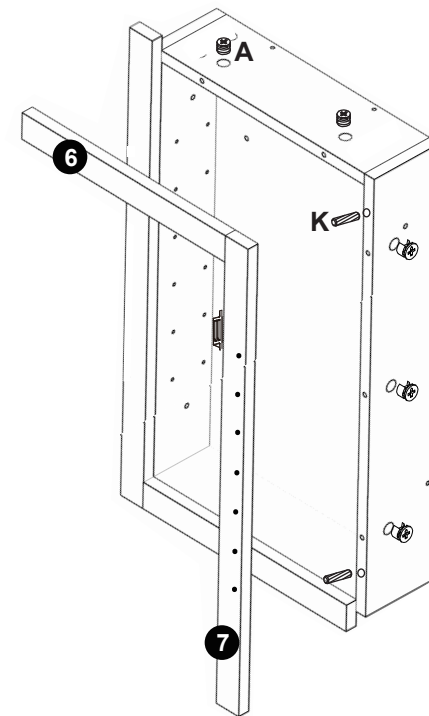
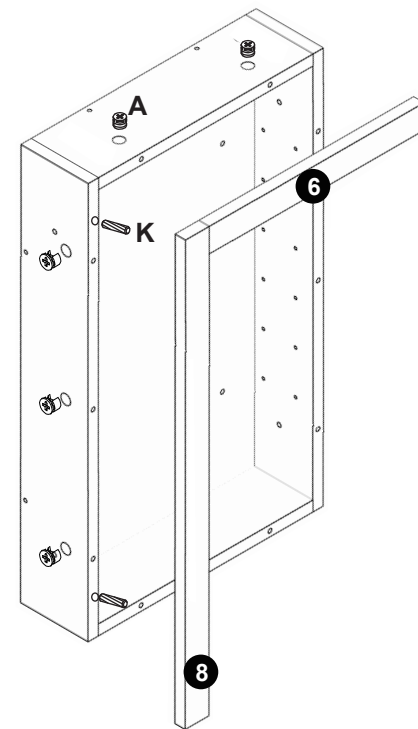
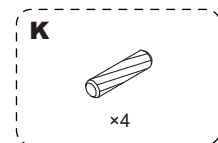
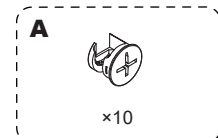
| Step4



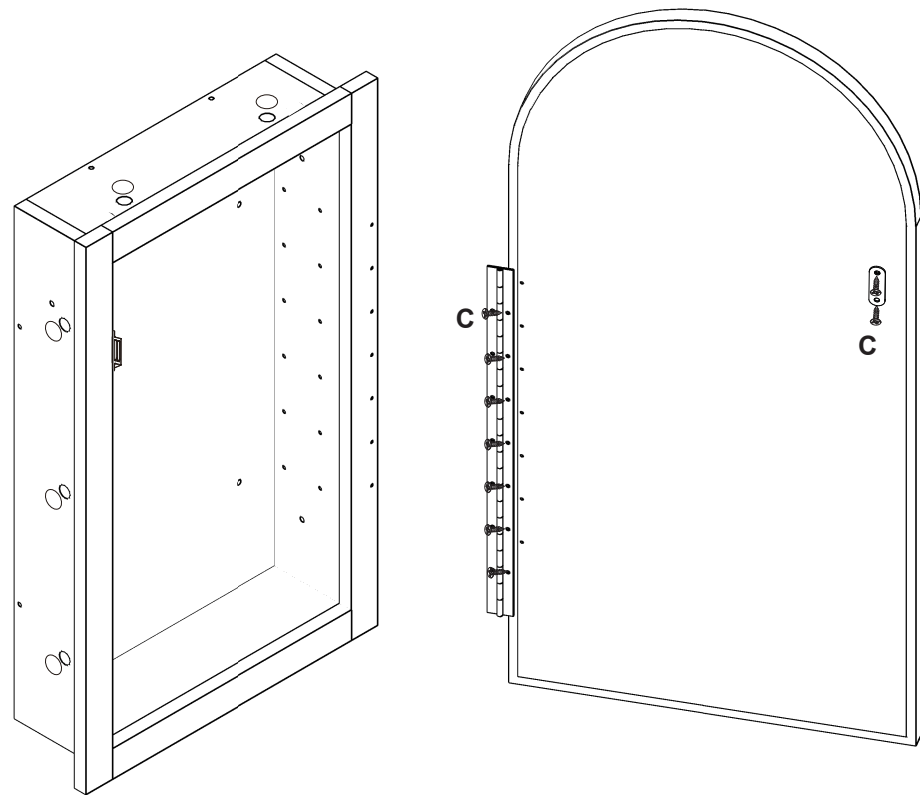
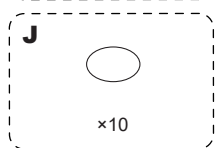
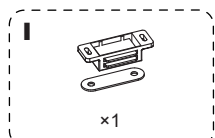
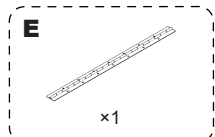
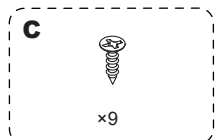
| Step5



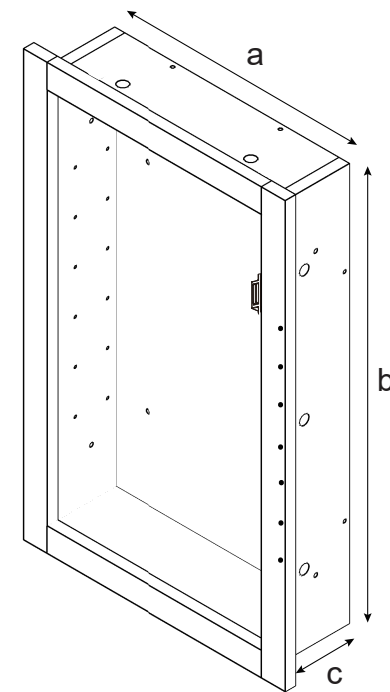
| Step6



| Step7

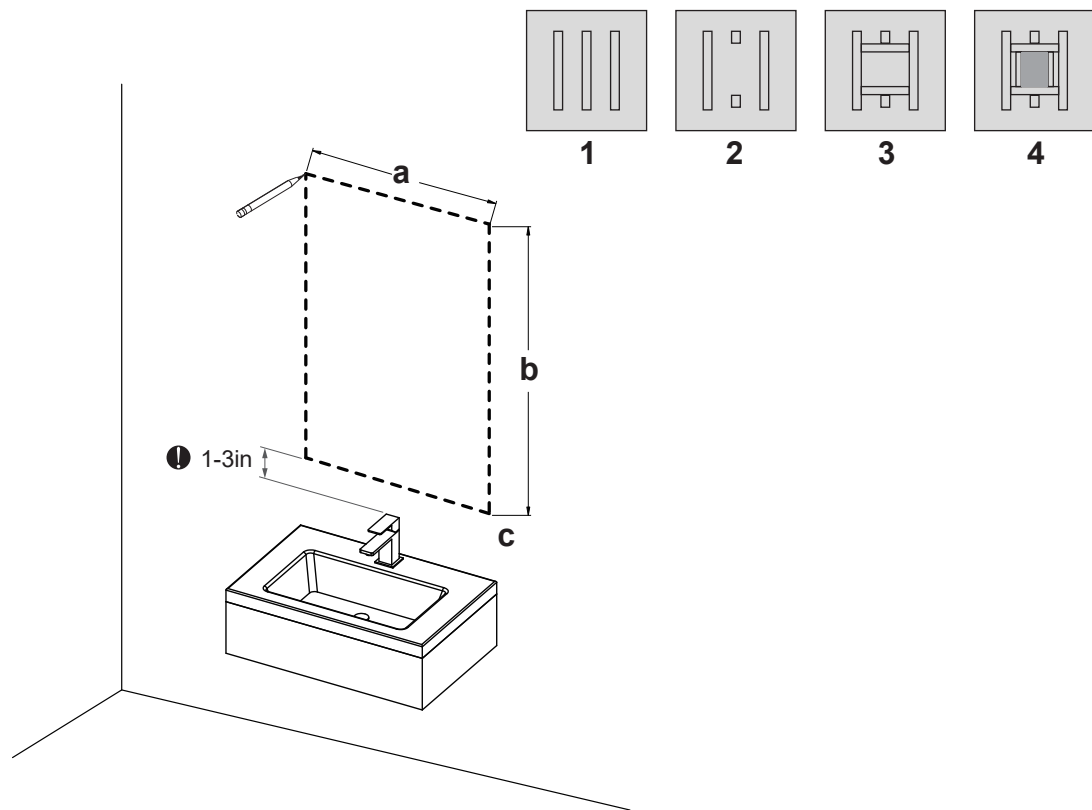


| Step8

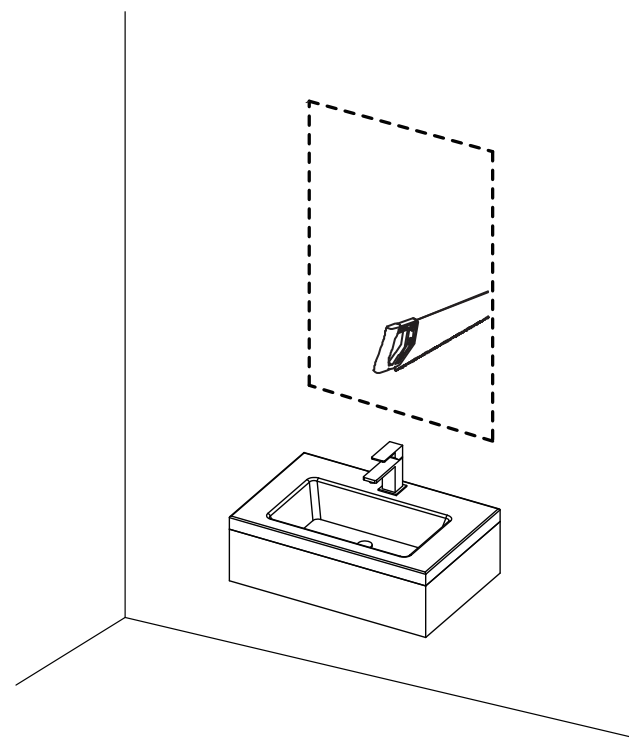


| Step9

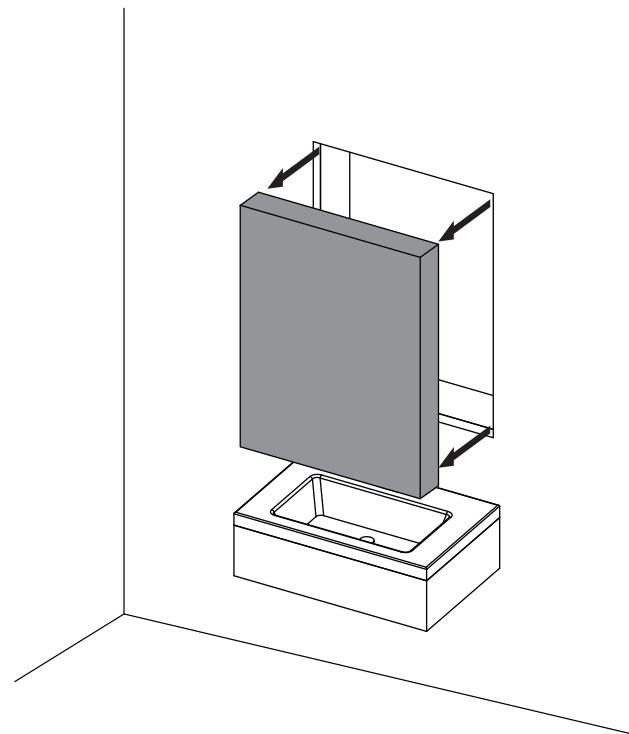
Steps to frame the cutout opening



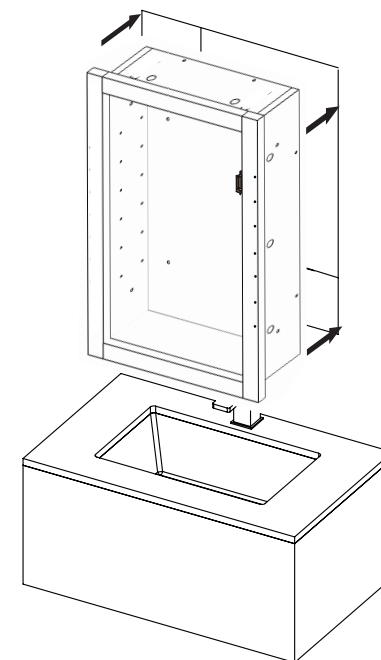
| Step10



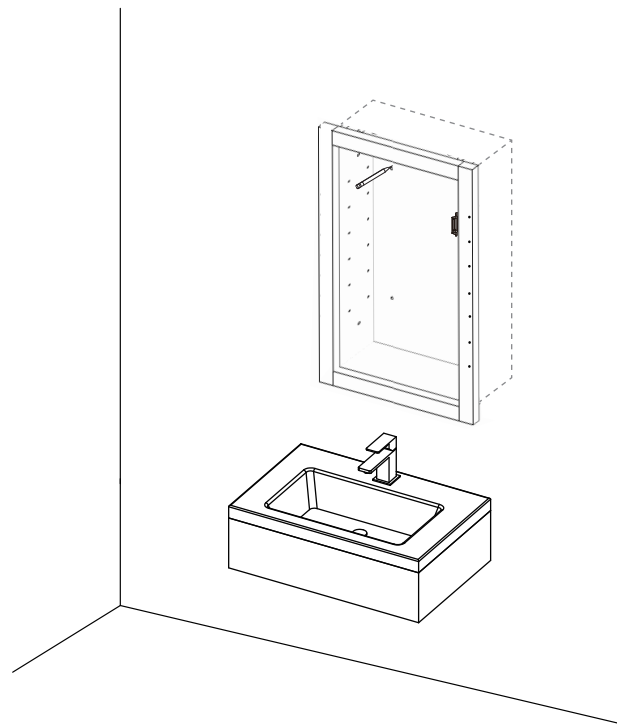
| Step11



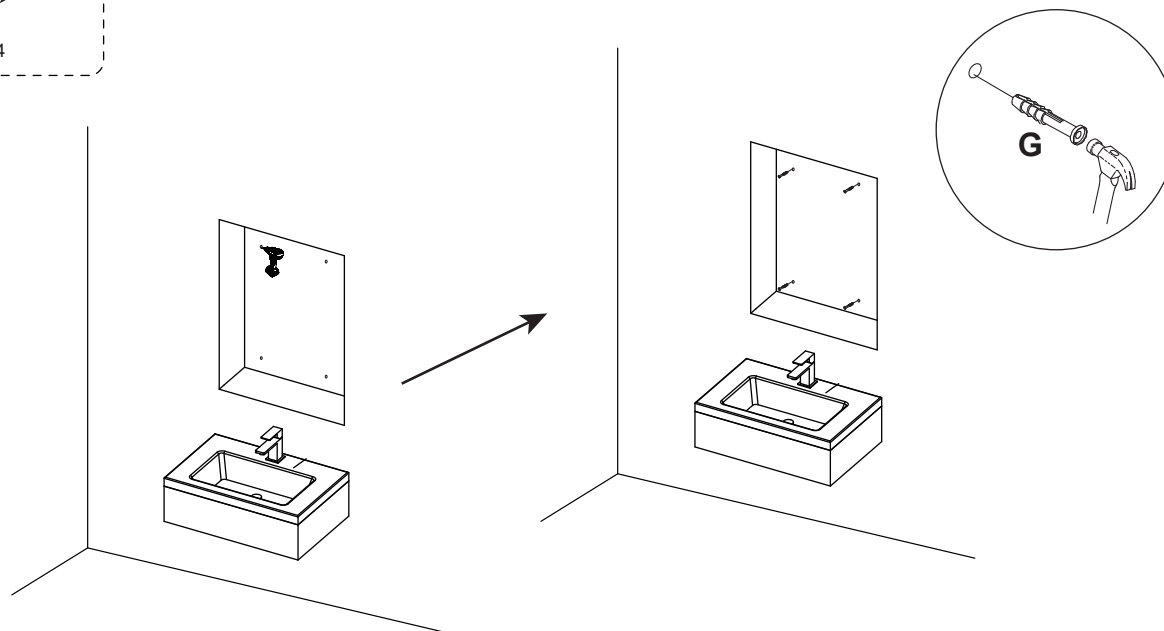
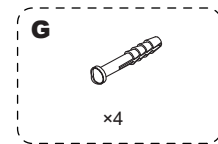
| Step12



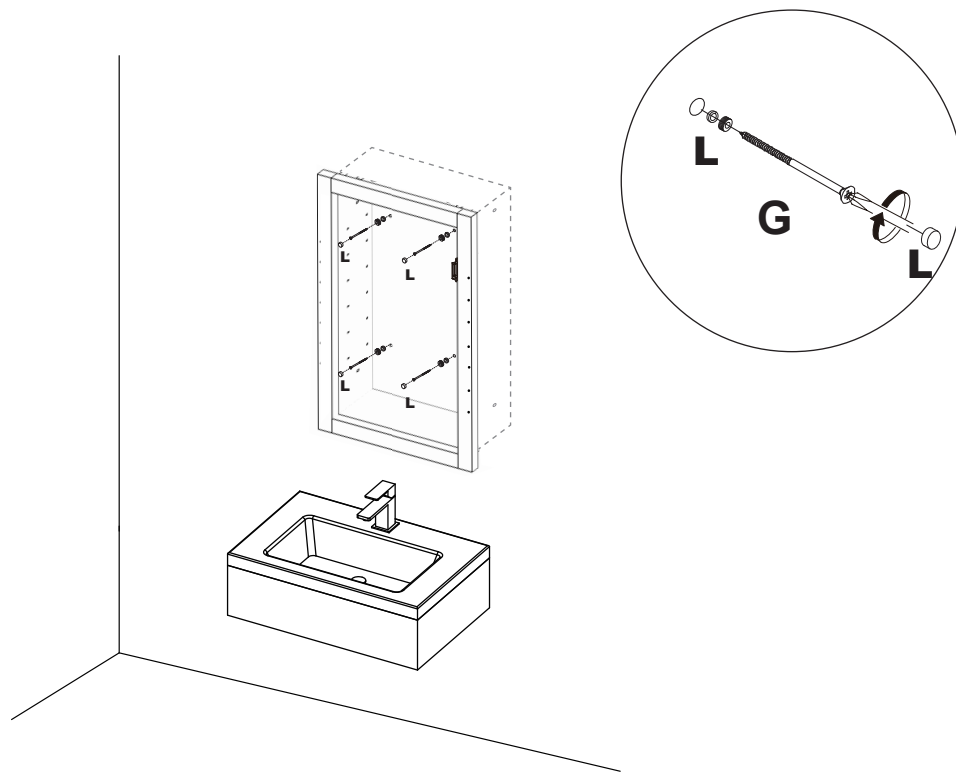
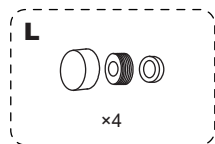
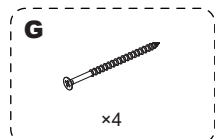
| Step13



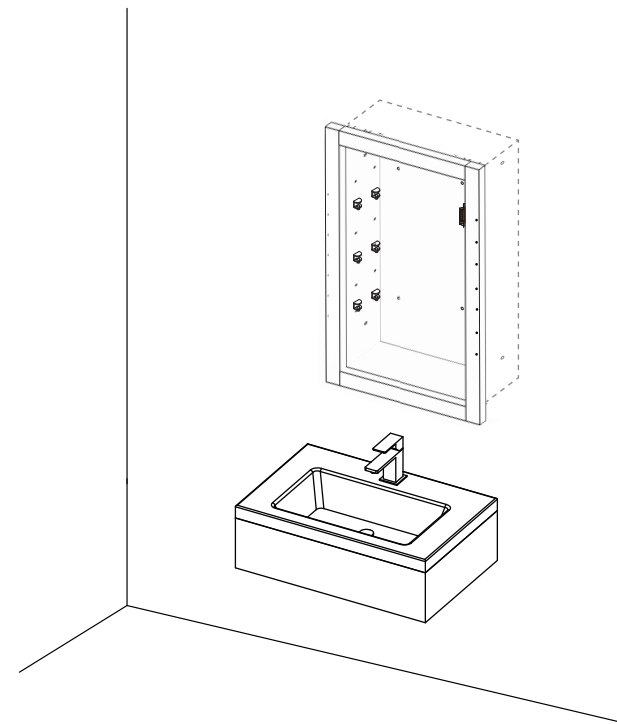
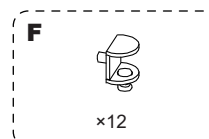
| Step14



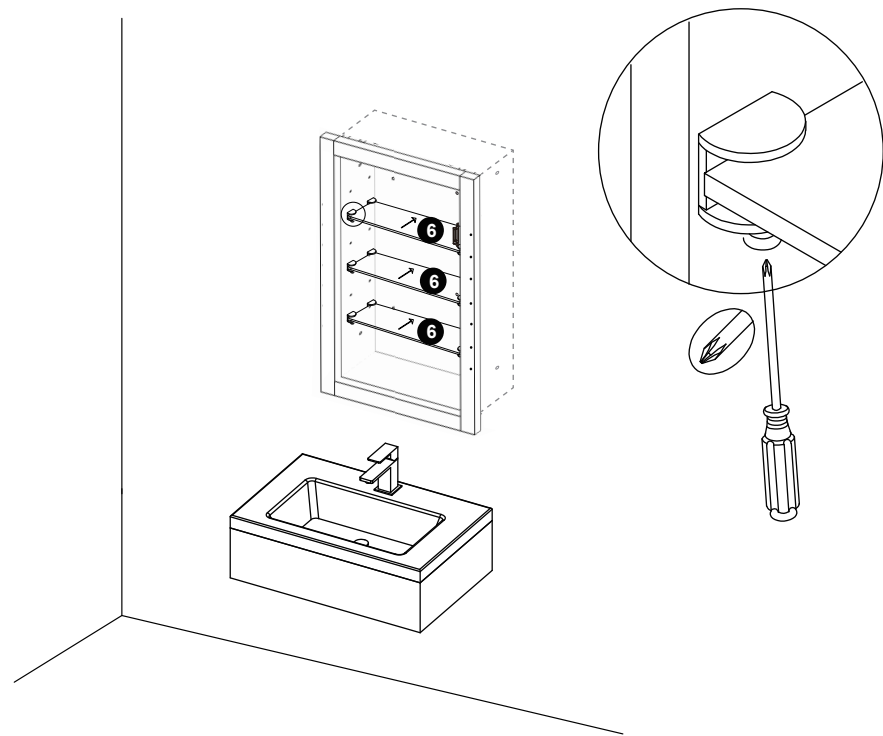
| Step15



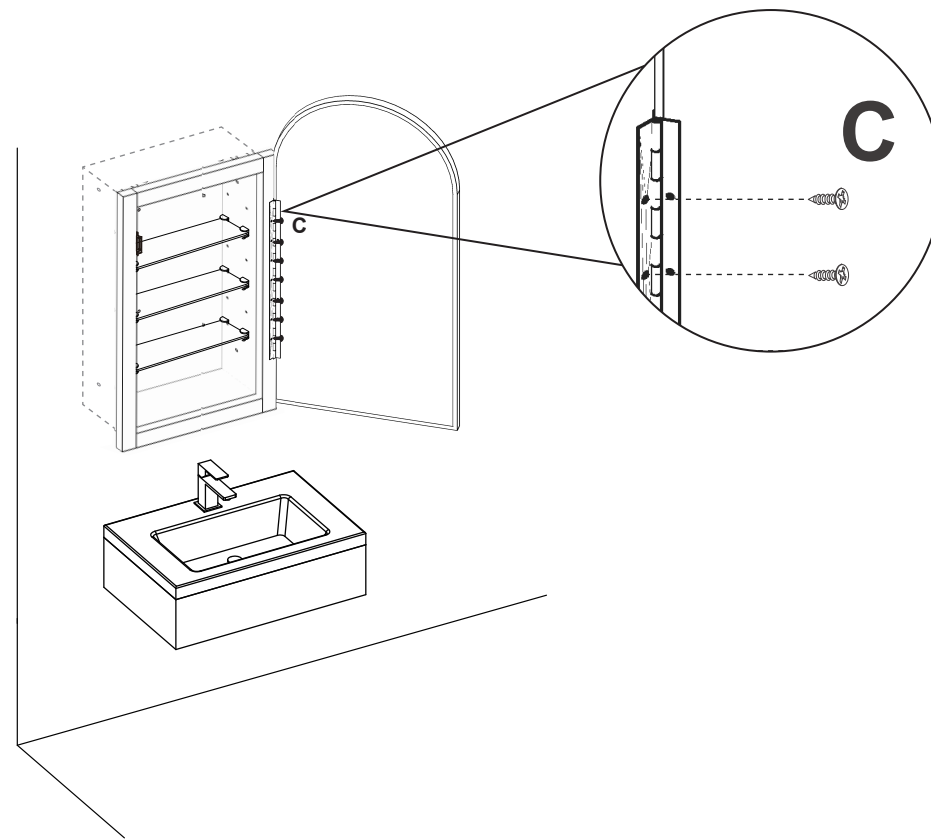
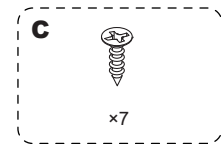
| Step16



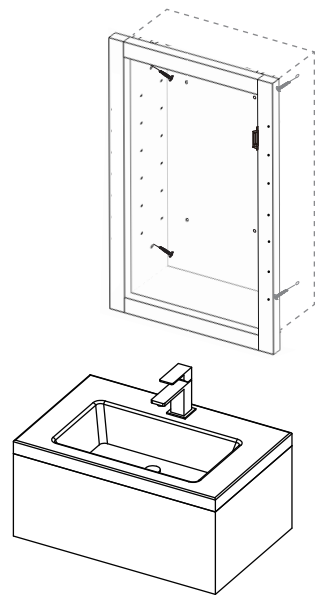
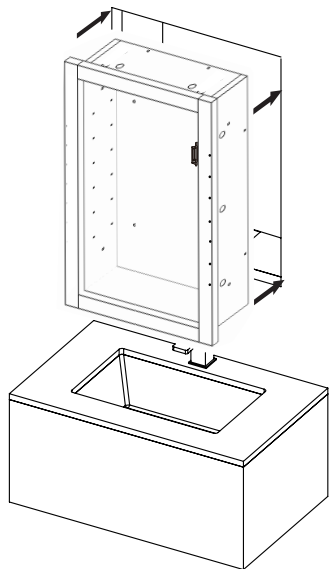
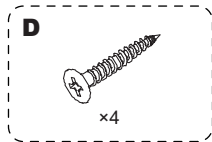
| Step17



| Step18



There are already internal wall cabinets on the wall



Wall mounted

