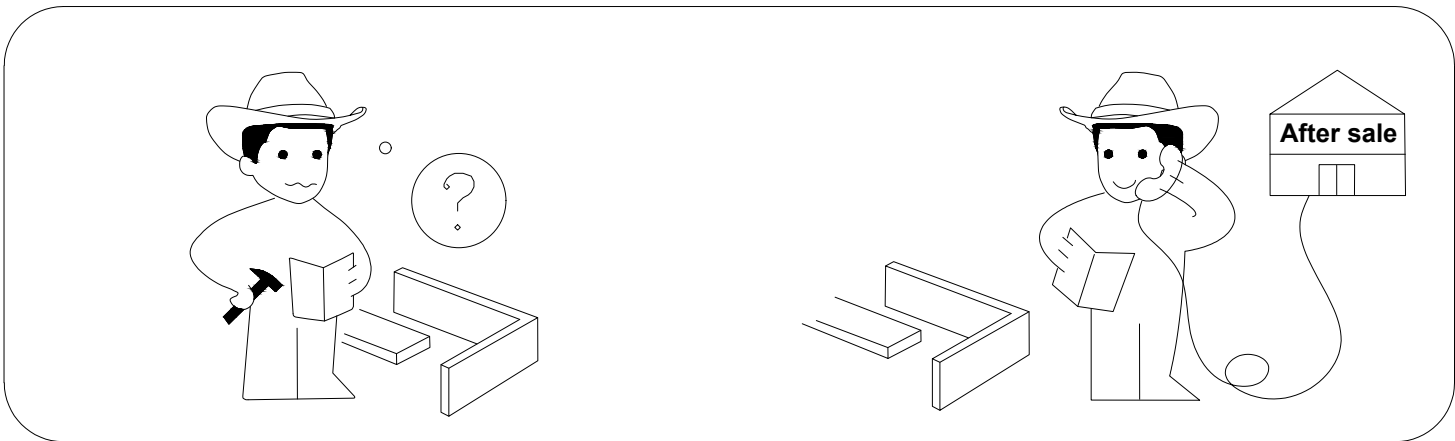
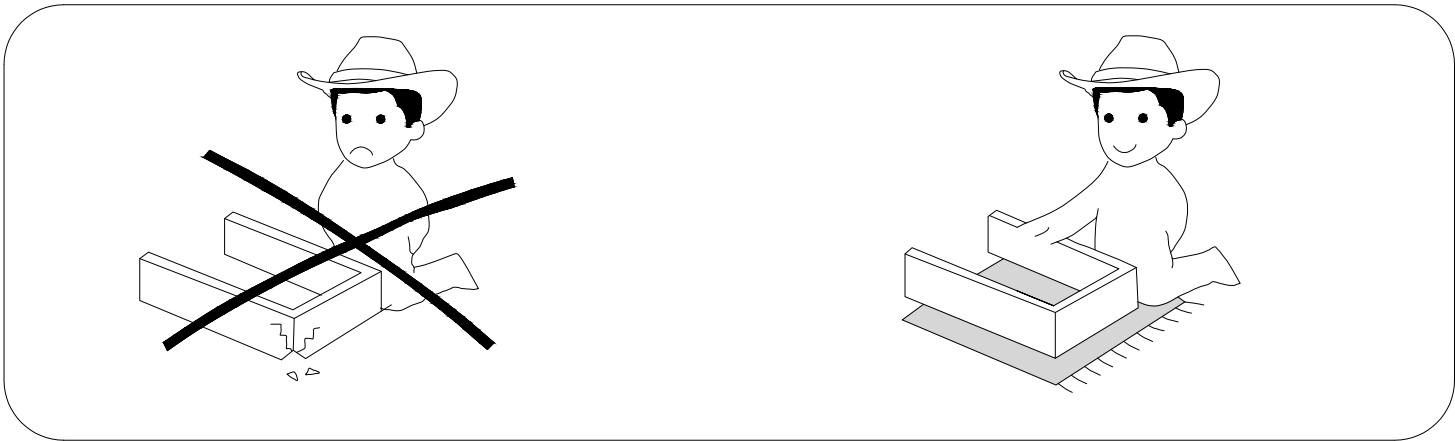
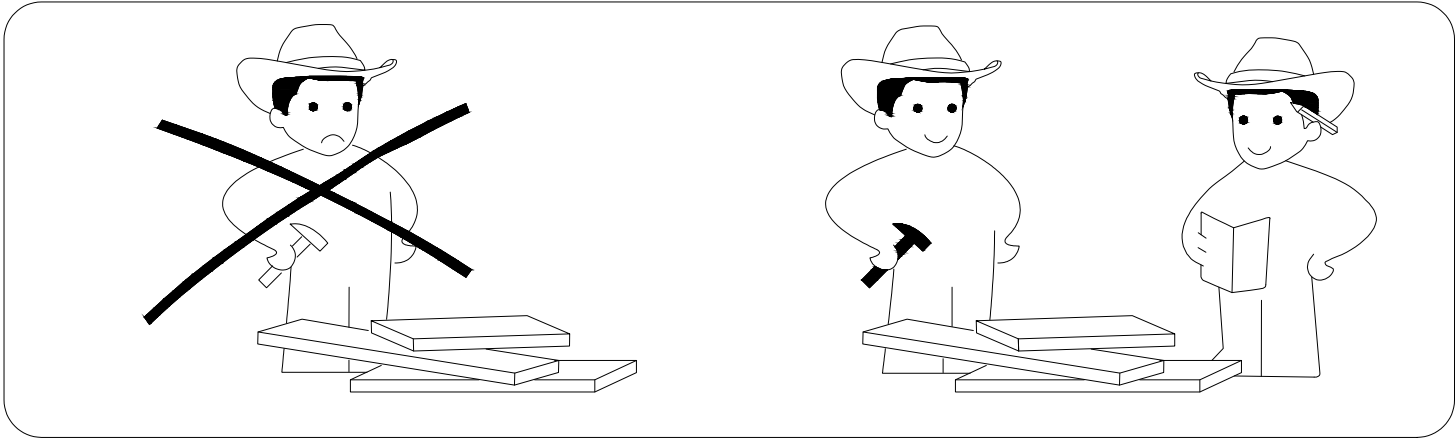
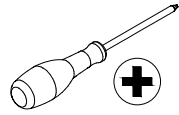
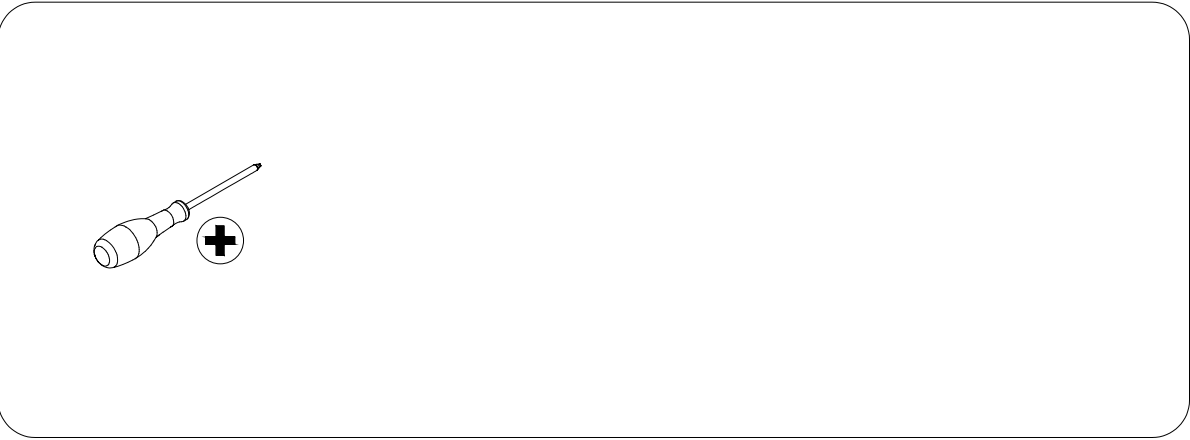
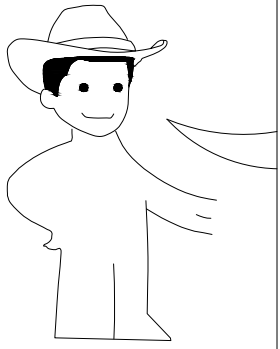
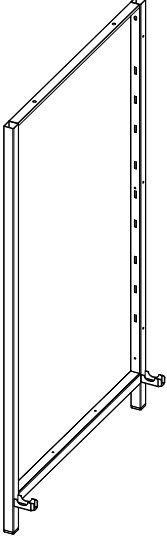
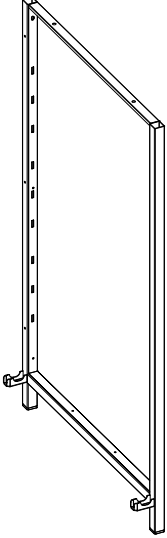
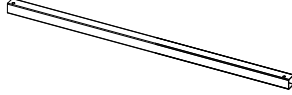
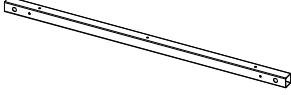
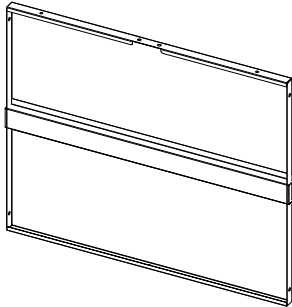
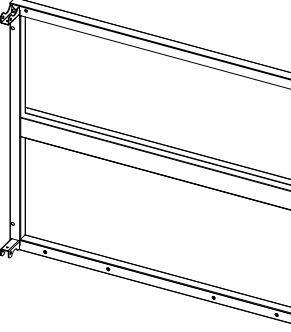
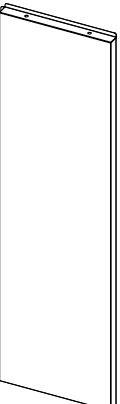

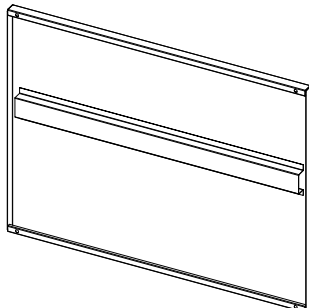
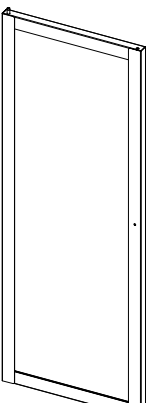
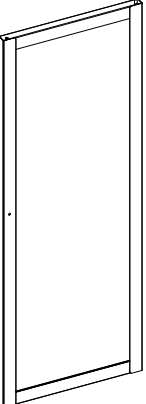
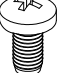



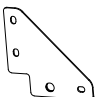







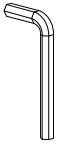


Installation video

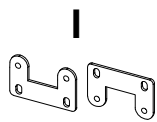
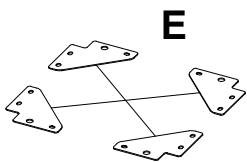
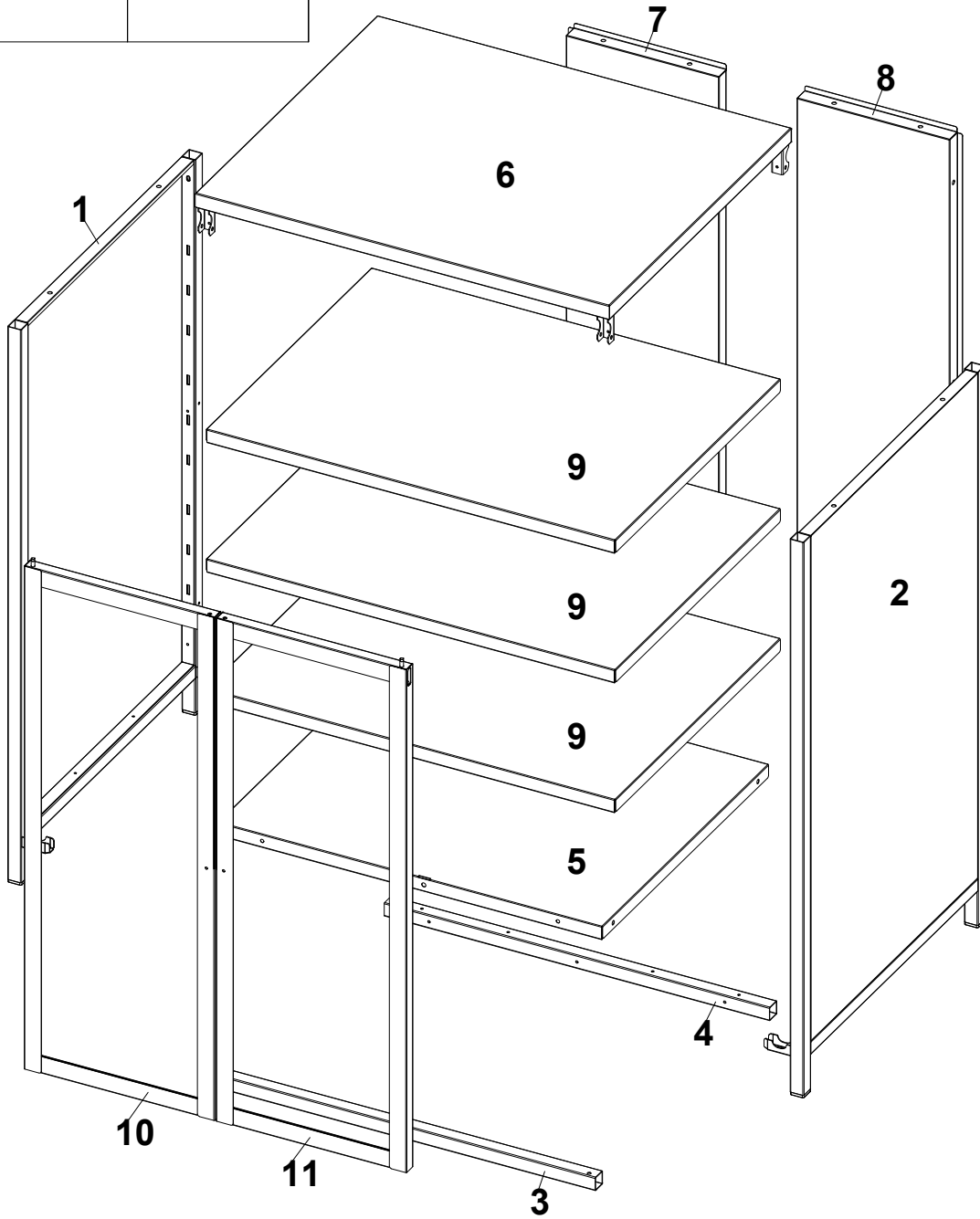
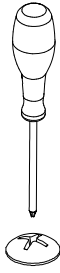


<p>1×1pc</p> 	<p>2×1pc</p> 		<p>3×1pc</p> 	<p>4×1pc</p> 		
			<p>5×1pc</p> 	<p>6×1pc</p> 		
<p>7×1pc</p> 	<p>8×1pc</p> 		<p>9×3pcs</p> 		<p>10×1pc</p> 	
<p>11×1pc</p> 	<p>A×39pcs</p>  <p>M4×8mm</p>	<p>B×2pcs</p> 	<p>C×2pcs</p> 	<p>D×2pcs</p>  <p>Ø4.8x22</p>	<p>E×4pcs</p> 	<p>F×2pcs</p>  <p>M4×22mm</p>
<p>G×2pcs</p> 		<p>H×4pcs</p> 	<p>I×2pcs</p> 	<p>J×12pcs</p> 	<p>K×1pc</p> 	<p>L×4pcs</p>  <p>M6×10mm</p>

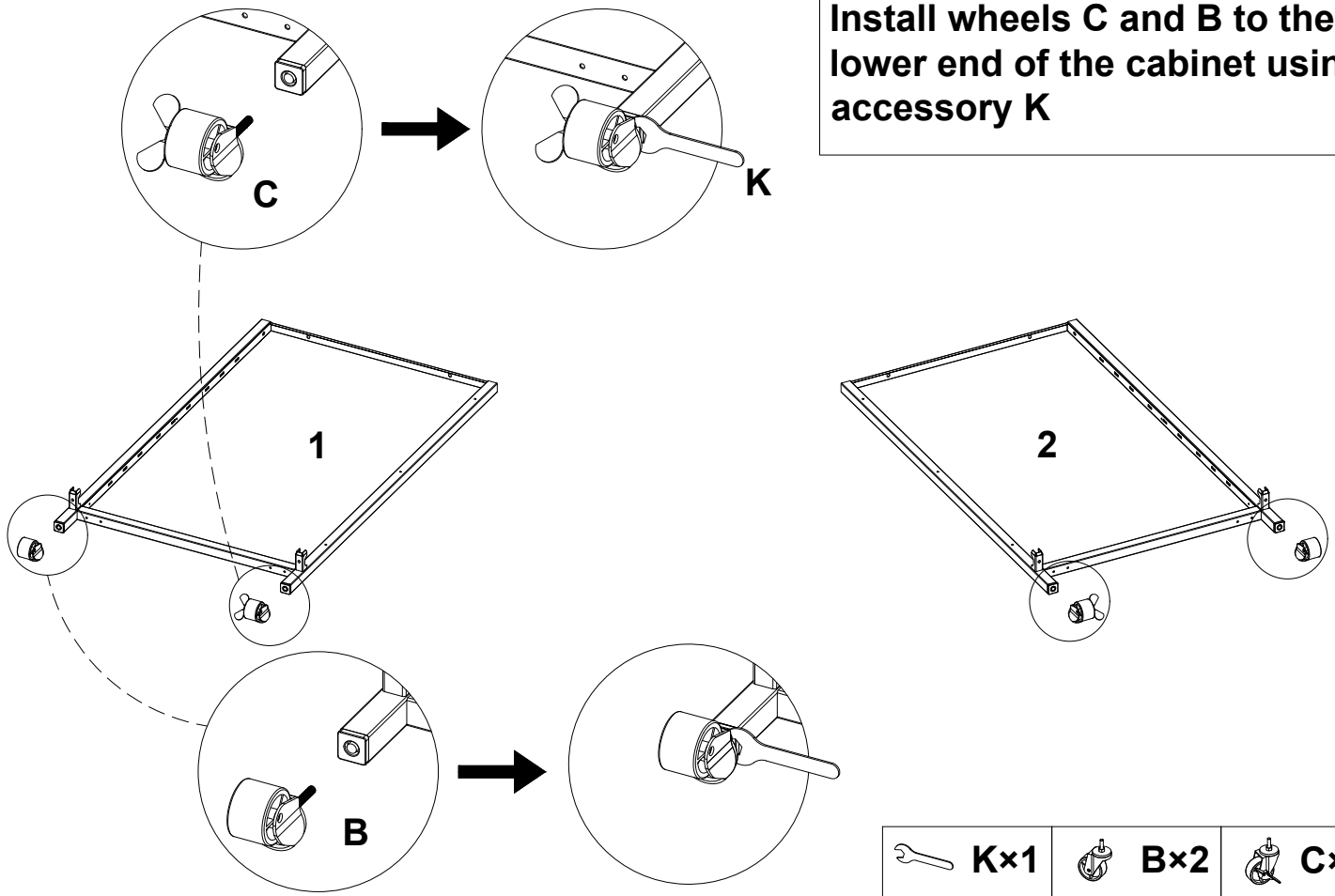
M×1pc



4 mm



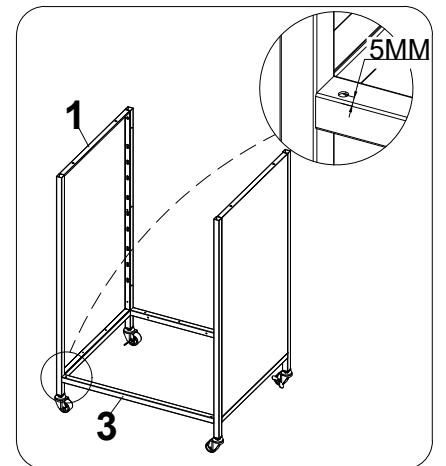
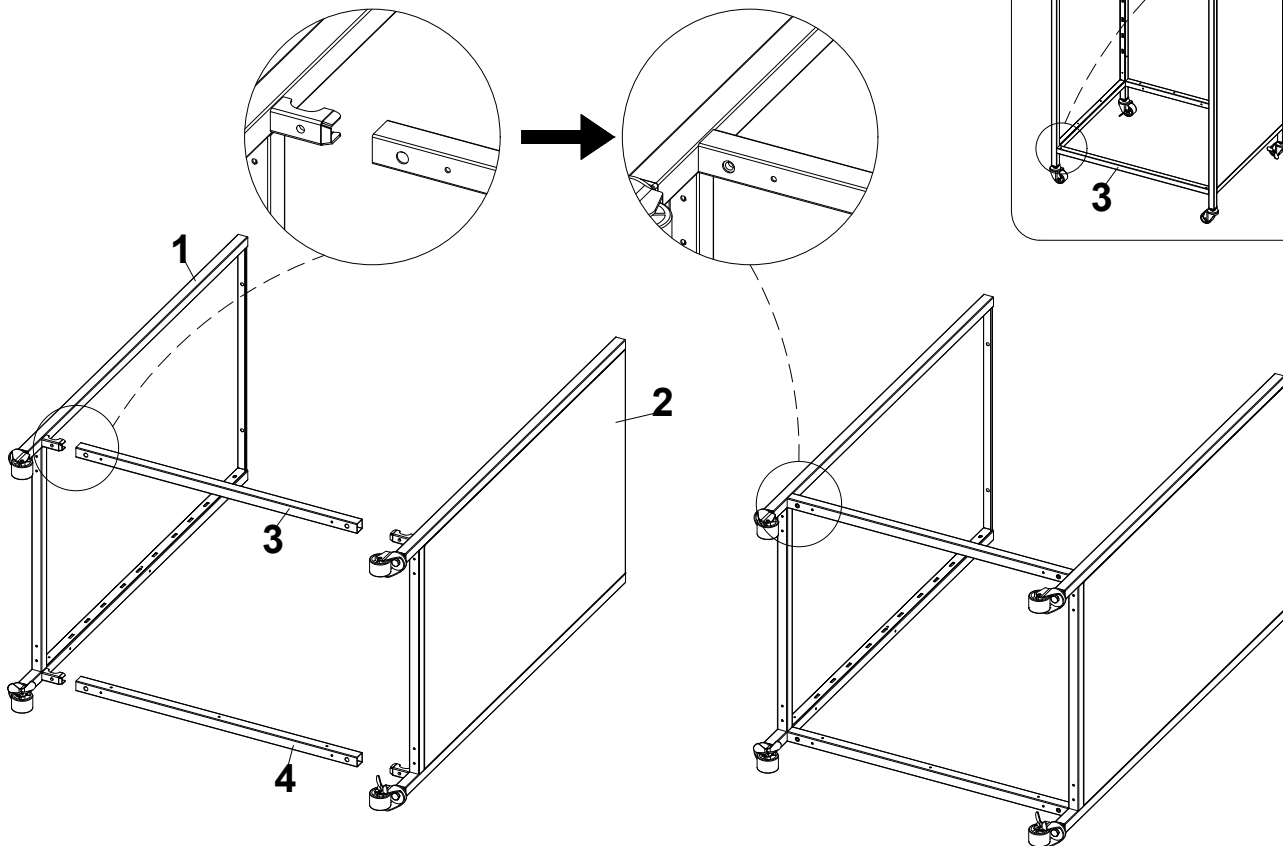
1



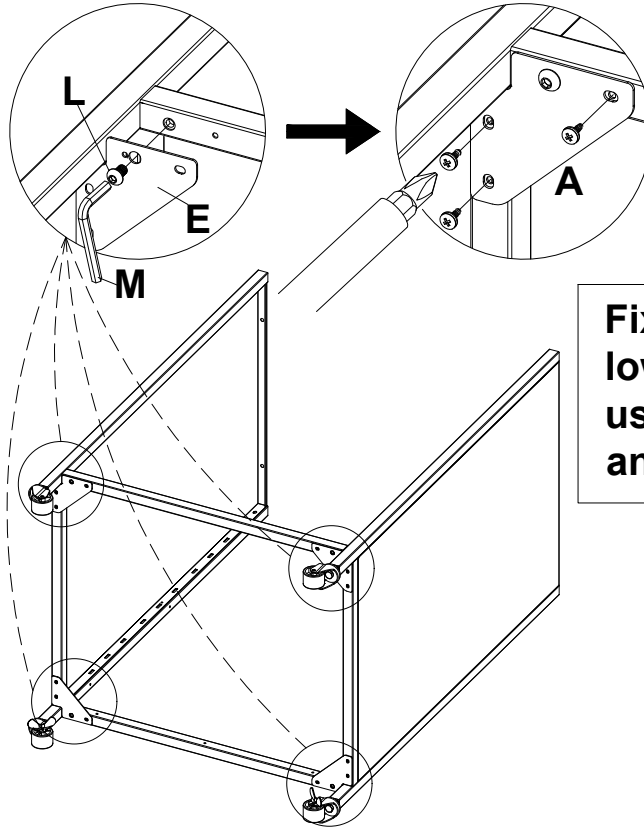
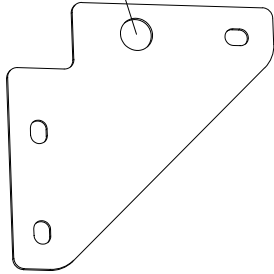
Install wheels C and B to the lower end of the cabinet using accessory K

2

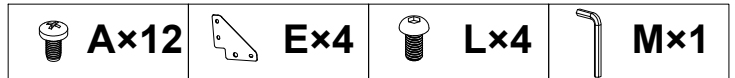
Insert component 3 and component 4 into the inside of component 1 and component 2 respectively, paying attention to the installation direction of component 3



3

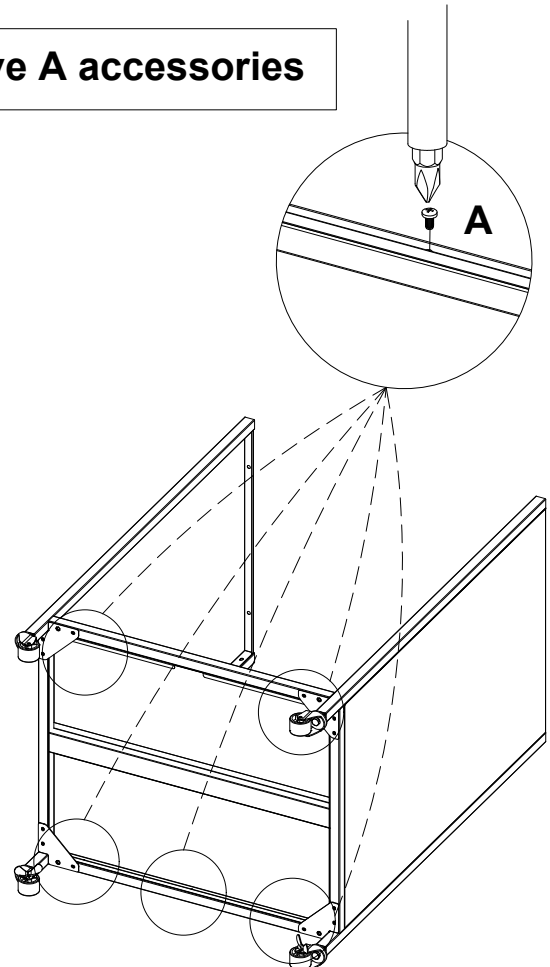
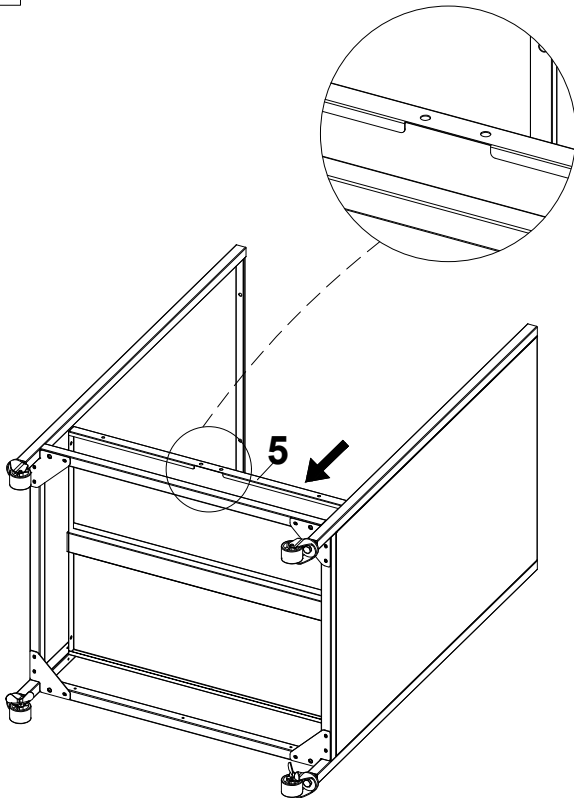


Fix accessory E to the lower end of the cabinet using accessories A, M, and L respectively

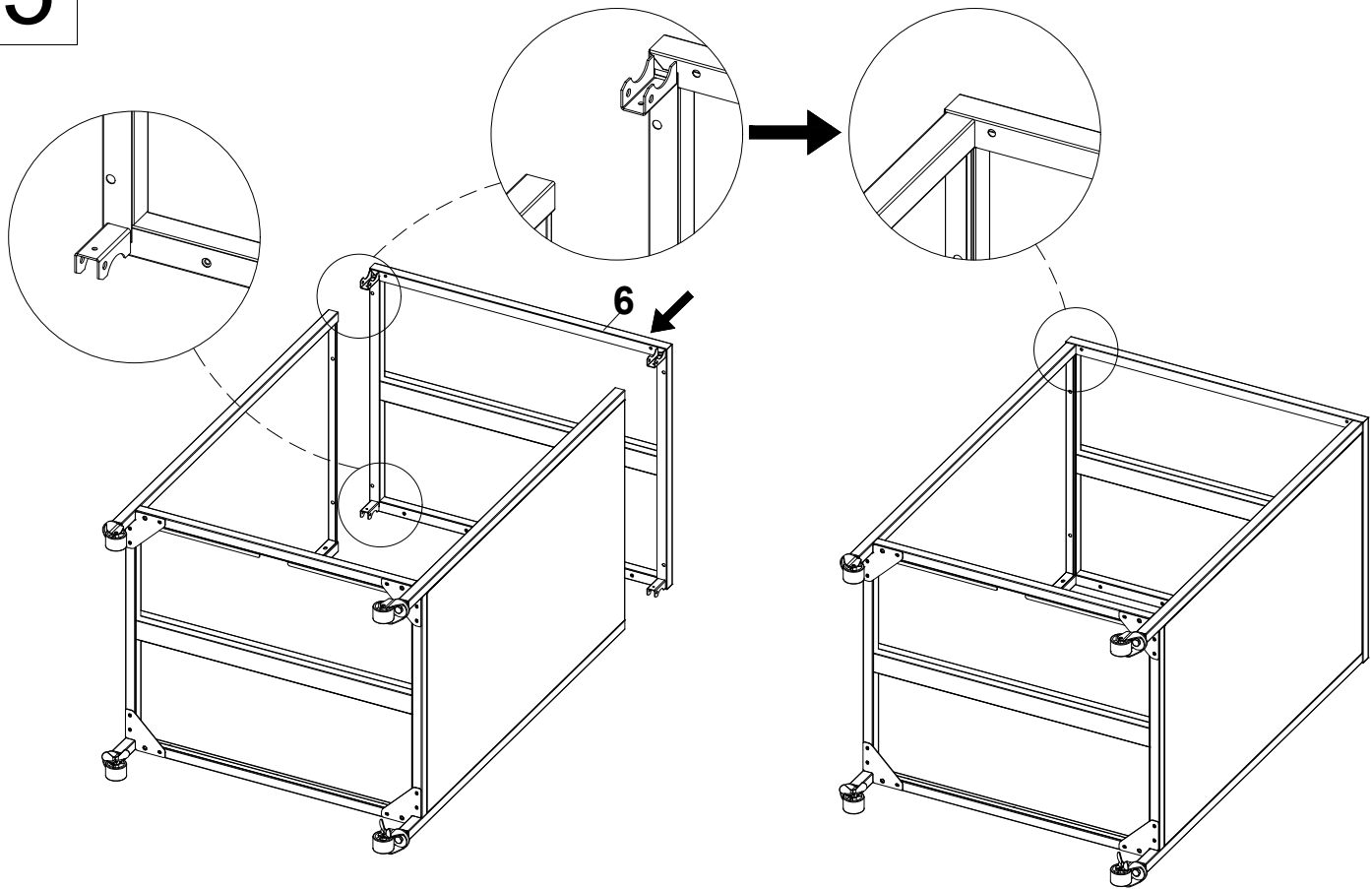


4

Fix component 5 with five A accessories



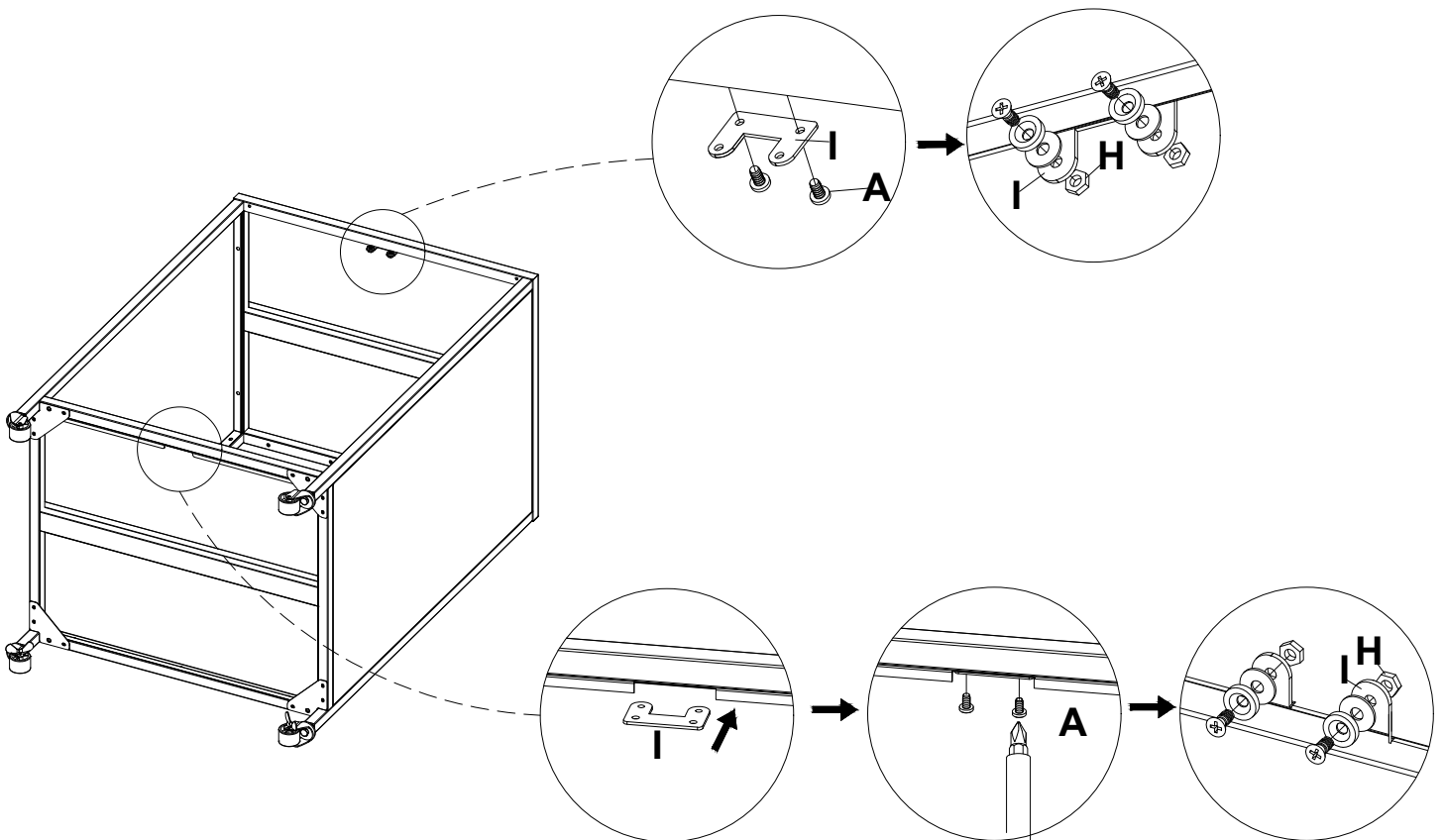
5



Install component 6 to the position shown in the diagram

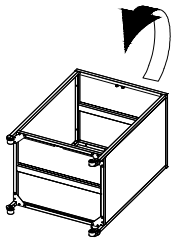
6

Install accessory I to the position shown in the diagram here

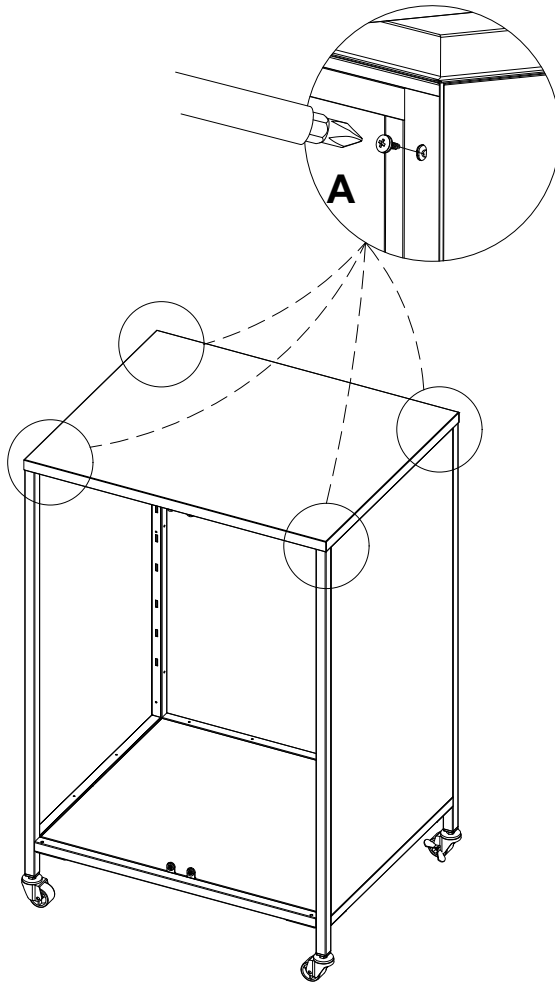


 **A×4**   **H×4**  **I×2**

7

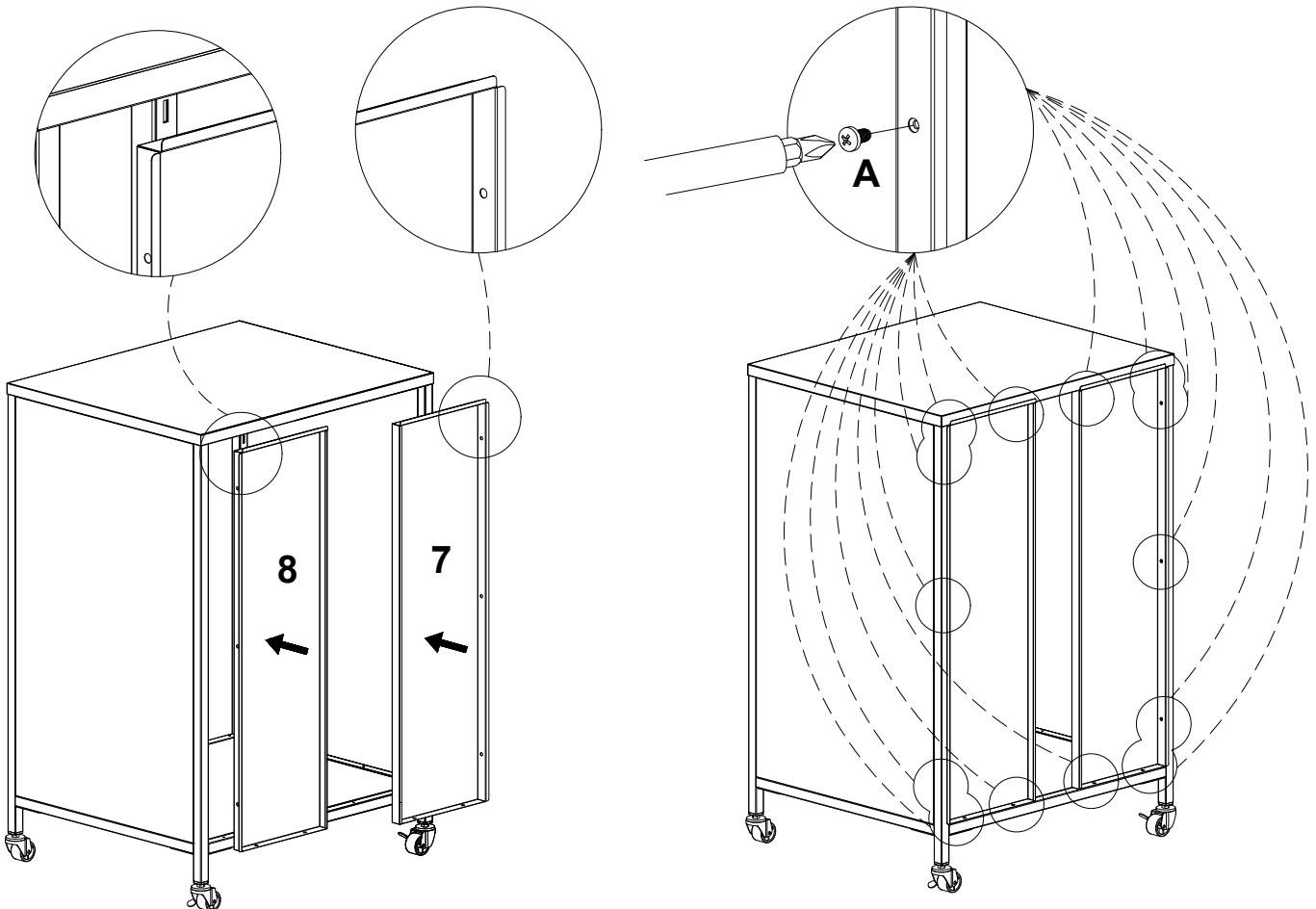
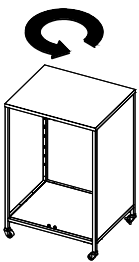


Fix the top firmly with four A-number accessories



 A×4

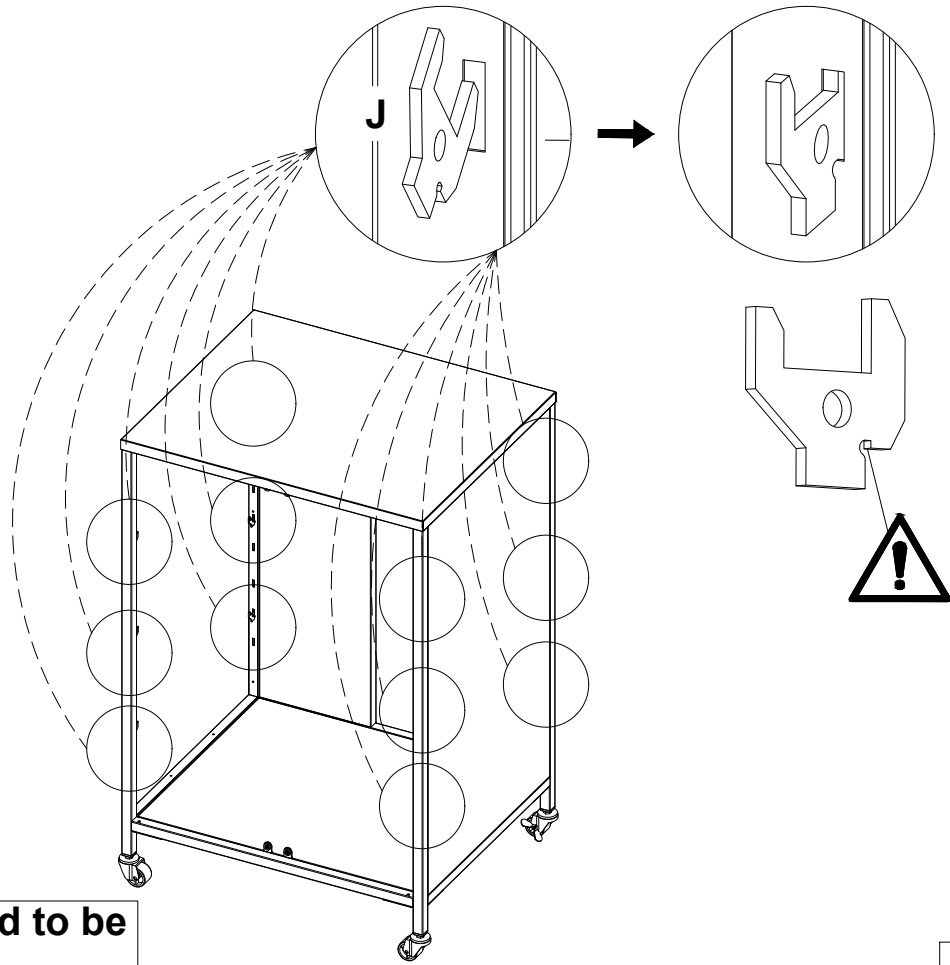
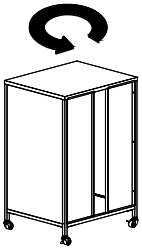
8



Install accessory # 7 and accessory # 8 in sequence

 A×14

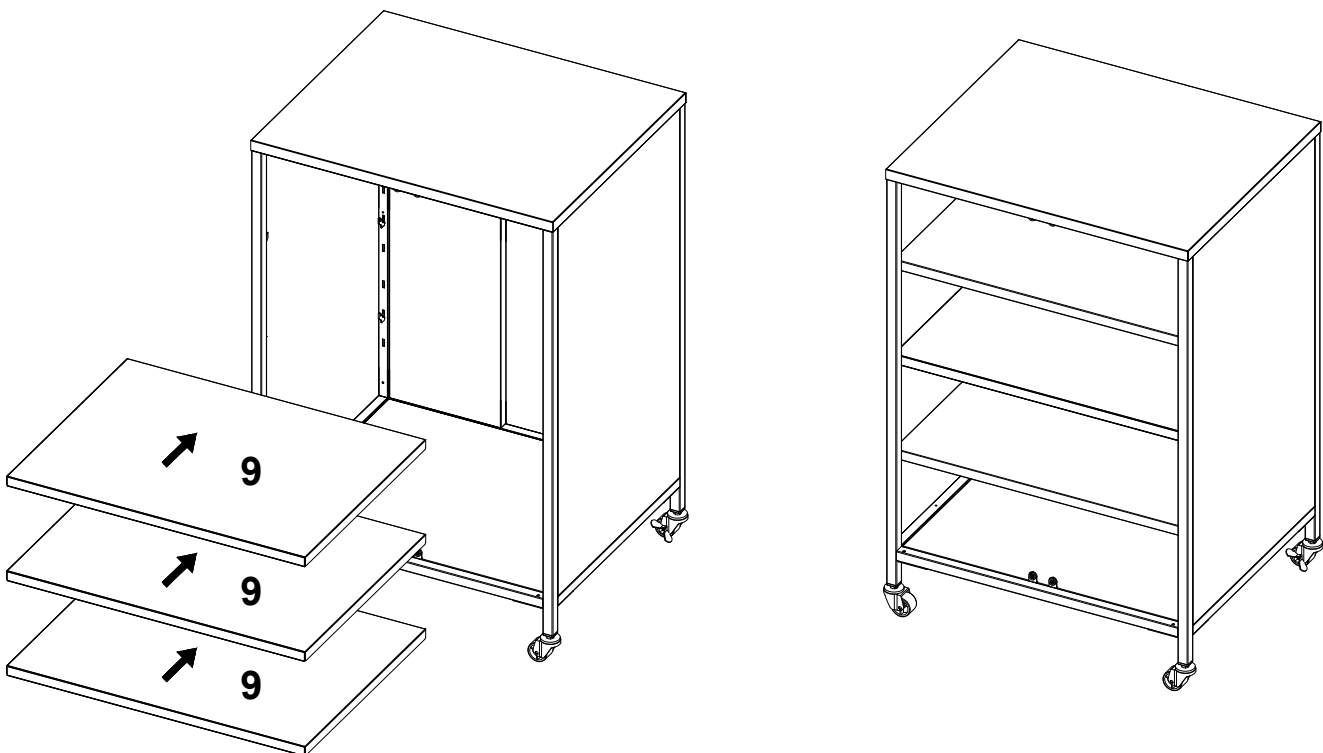
9



12 J accessories need to be installed here

 J×12

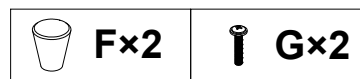
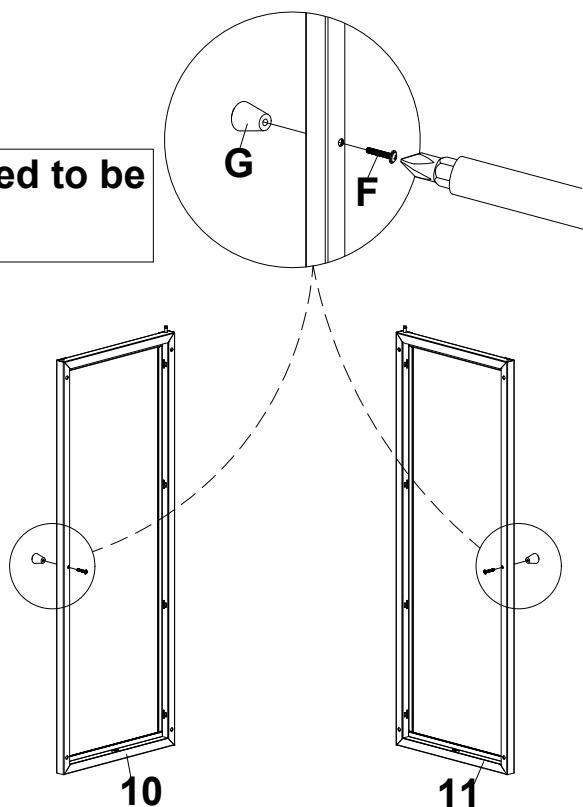
10



Install component 9 to the position shown in the diagram

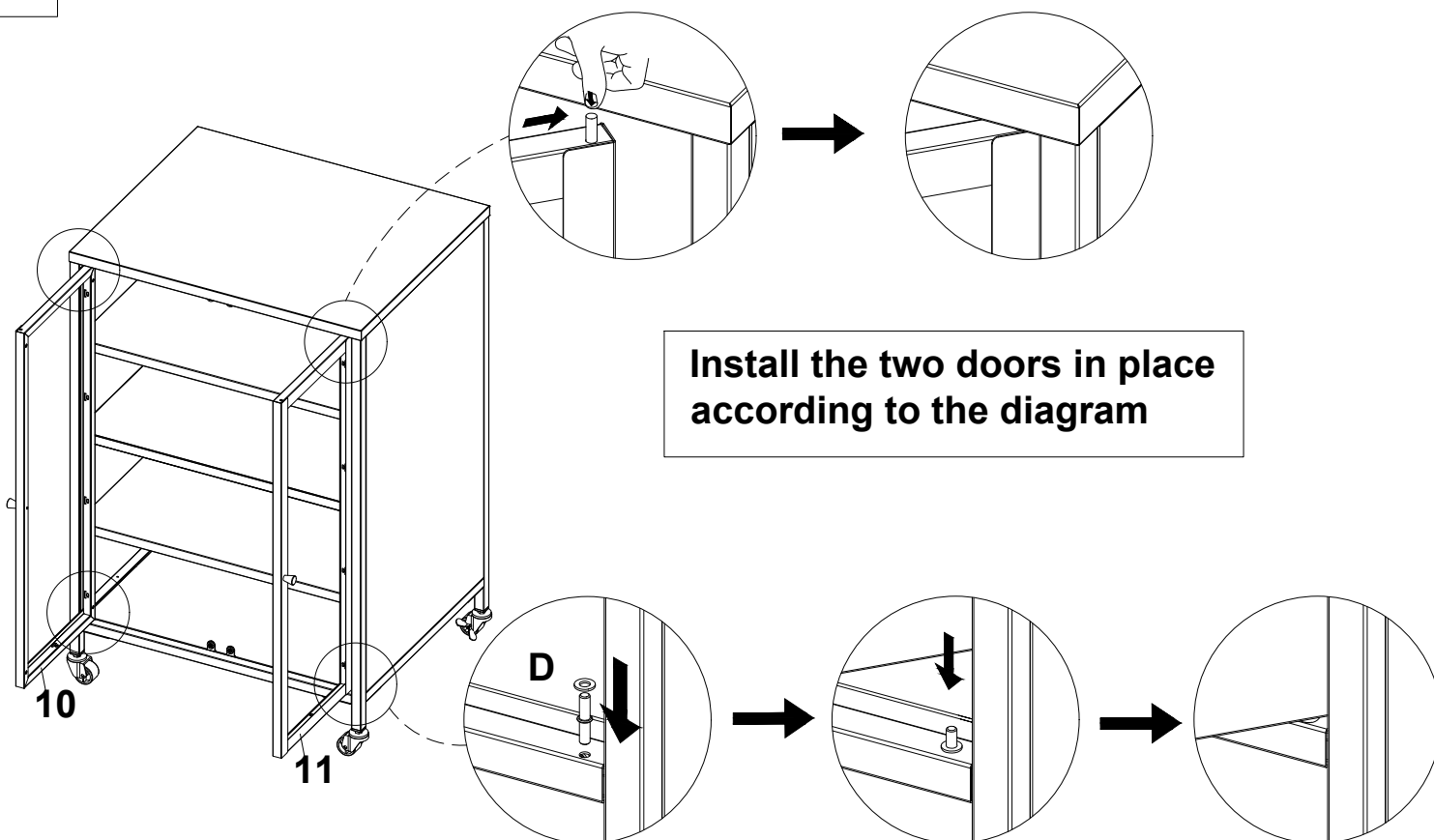
11

Two door handles need to be installed here



12

Install the two doors in place according to the diagram



13

