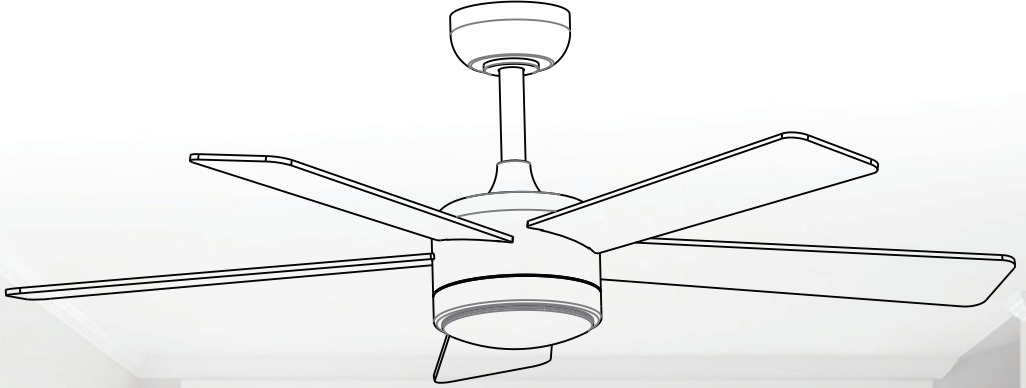


OWNER'S MANUAL

READ AND SAVE THESE INSTRUCTIONS



5-BLADE CEILING FAN WITH LIGHT

GET MORE SUPPORT

Should you experience any issues while operating any of our products, you can directly reach out to our customer support orders or you can send your inquiry to our official customer support

PLEASE KEEP CHILDREN AND PETS AWAY.

Package contains screws, magnets.

SAFETY PRECAUTIONS

WARNING

To avoid fire, shock and serious personal injury, please read the following instructions carefully. Important Safety Instructions.

- Before installing the fan, disconnect the power by removing fuses or turning off circuit breakers.
- Make sure the installation site you choose allows a minimum of 7.5 fet from the blades to the floor and at least 30 inches from the tip of the blades to any obstruction (see the picture at the next page).
- If you are mounting the fan on a ceiling outlet box, use a metal outlet box. Secure the box directly to the building structure. The outlet box and its support must be able to support the moving weight of the fan (at least 45kgs.). Do not use a plastic outlet box. Attach the mounting bracket by using the hardware supplied with the ceiling outlet box.
- If you are mounting the fan to a joist, make sure it is strong enough to support the moving weight of the fan (at least 45kgs).
- After installing the fan, make sure all the collections are secured. This will prevent the fan from falling.
- Do not insert anything into the fan blades while the fan is operating.
- Turn the fan off and wait for it to stop before reversing fan direction.
- To reduce risk of electrical shock and personal injury, do not install the fan on a sloped ceiling.
- To reduce the risk of electrical shock and personal injury, do not use this fan with any solid-state.
- To reduce risk of personal injury, use only the two steel screws and lock washers provided with the fan for mounting the outle box.

Risk Of Electric Shock

- Before you start installing this ceiling fan, disconnect the power supply by turning off the circuit breaker. (see the picture at the next page.)
- All electrical connections must be in accordance with local and National Electric Code (N.E.C.) standards and ANSI/ NFPA 70.
- Consult a qualified electrician if you are unfamiliar with proper electrical wiring connections.
- Do not alter, re-locate or remove wiring when nothing goes wrong with the product.
- Double-check all connections and screws to be sure they are tight and correct.
- Verify whether the supply voltage is correct by comparing it with the product information.

Risk Of Injury

- Keep all the parts of this product away from children. The package contains many small or heavy parts that may bring the risk of choke or injury.
- Make sure to install all parts firmly enough in case they fall while running. Carefully check all screws, bolts, and washers on the fan assembly to ensure they are secured.
- Wear safety gloves and safety glasses always when instaling or removing the light or the fan, or performing maintenance.
- Some parts of the components are sharp and may hurt your hands, please make sure you are wearing safety gloves when touching and installing the components.
- Wear rubber-soled shoes and work on a sturdy ladder.

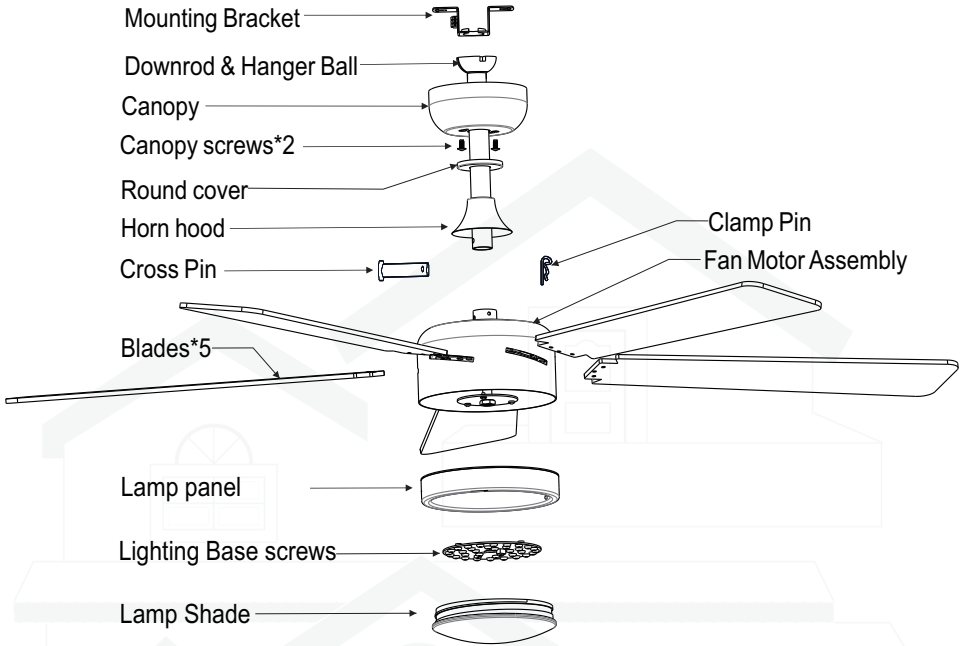
Maintenance And Cleaning



- Periodically cleaning your ceiling fan is the only required maintenance. Use a soft brush or lint free cloth to avoid scratching the paint. Please turn off the electricity power before you clean your fan.
- Do not use water when cleaning your ceiiing fan. It could damage the motor or the blades or even evoke an electrical shock.
- The motor has permanently lubricated ball bearing.
- No need to oil.

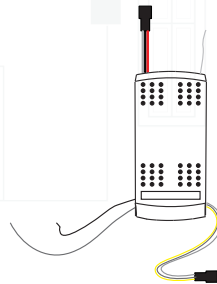
MAKE SURE THE POWER IS OFF IN THE ELECTRICAL PANEL BOX BEFORE YOU DO ANY CLEANING OR REPAIRS

BEFORE YOU START

Product Instruction



Item no.	Reference Image	Qty.
1	 ST5x35 Setscrew	x4
2	 Expansion Screw	x2



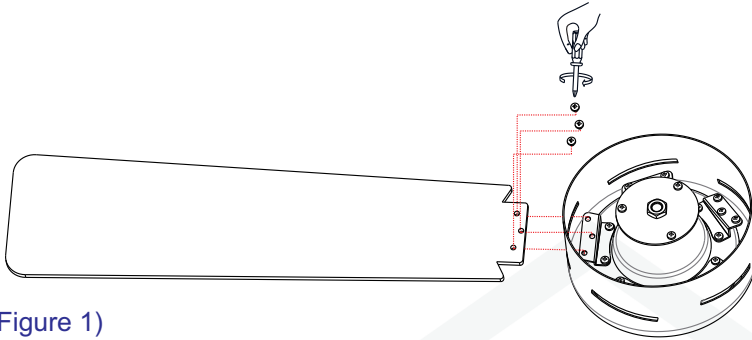
Receiver



Remote Control

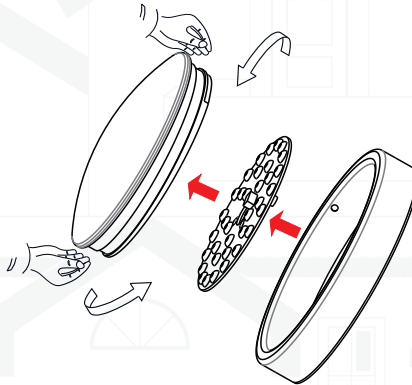
ASSEMBLY DRAWING & PARTS LIST-WITH LIGHT

1. Remove the screws locked on the side of the motor, pass the fan blades through the motor side holes, and install the fan blades onto the motor with screws.



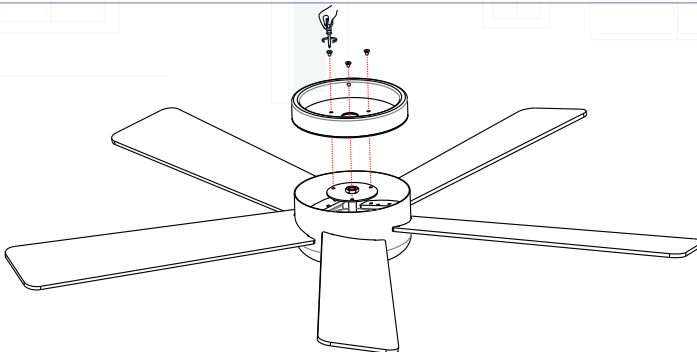
(Figure 1)

2. Remove the lampshade and light source from the light source box in sequence, and set them aside for future use.



(Figure 2)

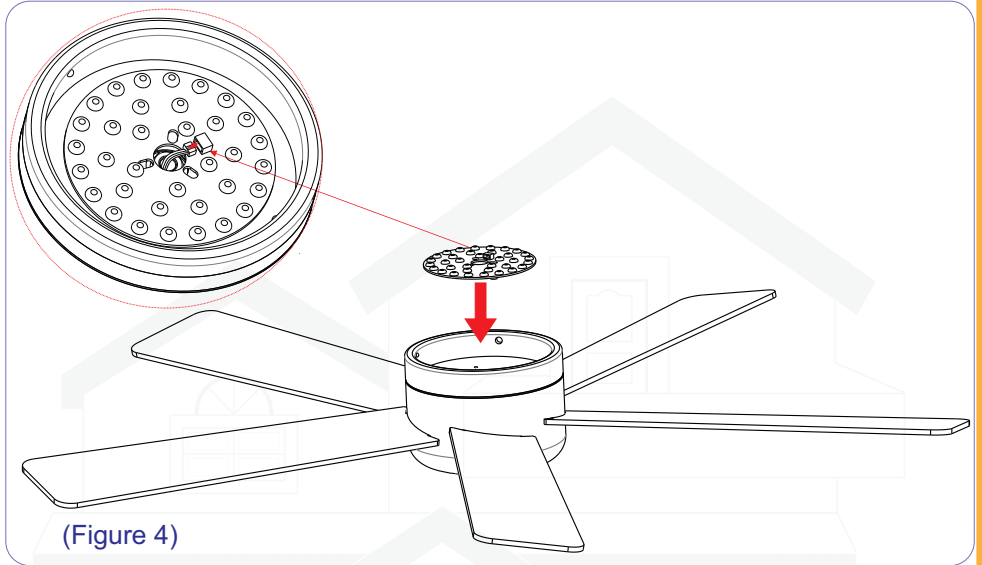
3. Remove the screws at the bottom of the motor in sequence and install the light source box onto the motor.



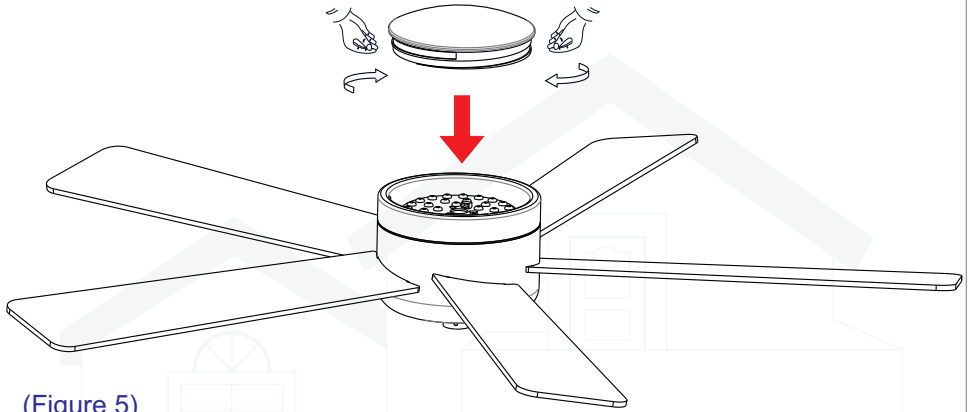
(Figure 3)

ASSEMBLY DRAWING & PARTS LIST-WITH LIGHT

4. Insert the power cord through the LED patch light source and connect it to the LED patch light source. Fix the LED patch light source upwards onto the lamp body.



5.Installing lamp shade.

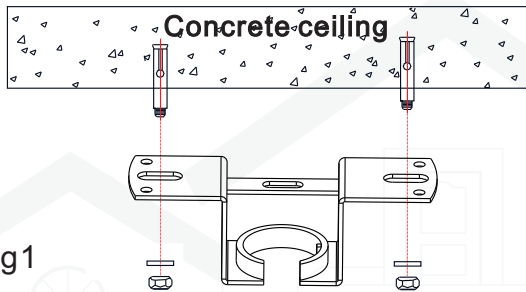


(Figure 5)

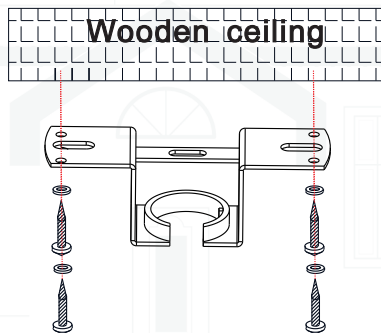
INSTALLING THE MOUNTING BRACKET

The ceiling fan must be installed in the location where there is 12"(300mm) spacing from the tips of all blades to the nearest objects or walls. **REMEMBER** to turn off the power before hanging the fan. Follow the instruction below to hang your fan properly:

1. For concrete ceiling, drill two holes in the ceiling and secure the mounting bracket to the ceiling with two $\Phi 0.32$ "(8mm) (distance between the two holes should be appropriate) expansion screws, flat washers nuts provided and tighten with a spanner.

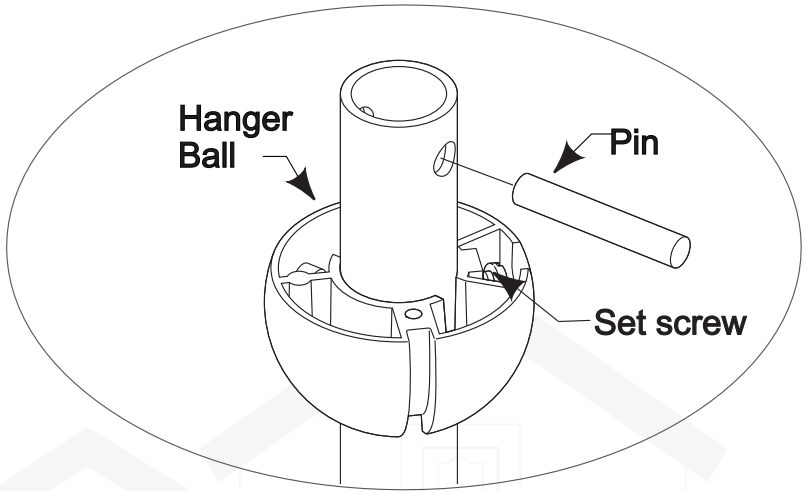


2. For wood ceiling, secure the mounting bracket to the ceiling that is capable of carrying a load of at least 100lbs (45kgs) with two long mounting screws and washers provided. Be sure at least 0.12"(30mm) of the screw is threaded into the support.



ASSEMBLY DRAWING & PARTS LIST-WITH LIGHT

6. Loosen the **set screws** in the hanger ball assembly until the ball assembly untighten ball slides carefully down the downrod. Remove the Pin from the downrod.



(Figure 6)

7. Remove and save the clevis pin and hairpin of the downrod. Put the downrod through the canopy and coupling cover.

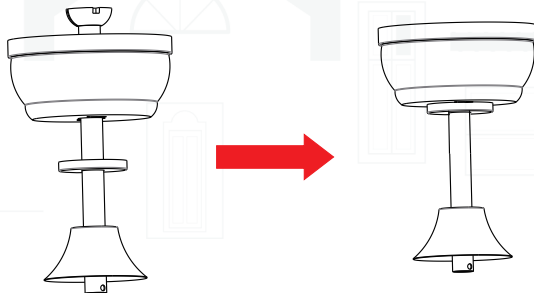


Figure 7

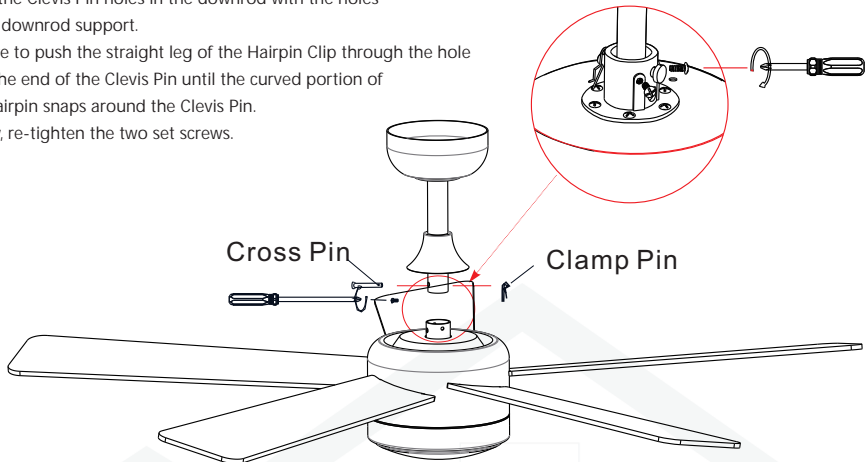
8. Loosen two set screws on the downrod support and then place the downrod into the downrod support. (Figure 8)

There are the electrical wires and the earth wire through the downrod.

Align the Clevis Pin holes in the downrod with the holes in the downrod support.

Be sure to push the straight leg of the Hairpin Clip through the hole near the end of the Clevis Pin until the curved portion of the Hairpin snaps around the Clevis Pin.

Finally, re-tighten the two set screws.

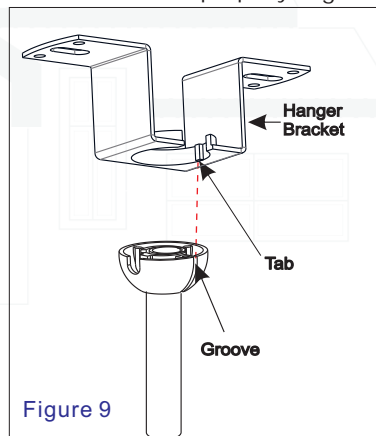


⚠ WARNING

It is critical that the clevis screw in the downrod support is properly installed and the set screws are securely tightened. Failure to verify the clevis screw, hairpin clip and set screws are properly installed could result in the fan falling.

Figure 8

9. Carefully lift the fan, and set the downrod / hanger ball assembly on the hanger bracket attached to the ceiling joist. Be sure the groove in the ball is properly aligned with the tab on the hanger bracket. (Figure 9)



⚠ WARNING

The fan must be hung with at least 230 cm of clearance from floor to blades.

Figure 9

Precautions for connecting the power cord :

⚠ WARNING

To avoid possible electrical shock, be sure electricity is turned off at the main fuse box before wiring

Connect 110V main power (dwelling) to the Terminal Block located on the hanger

10. Correctly link the light wire, motor wire, and neutral wire and live wire according to the guidelines on the right.

- 1 Connect the wires according to the polarity (the color of the House power cord may be different if the color is the same).

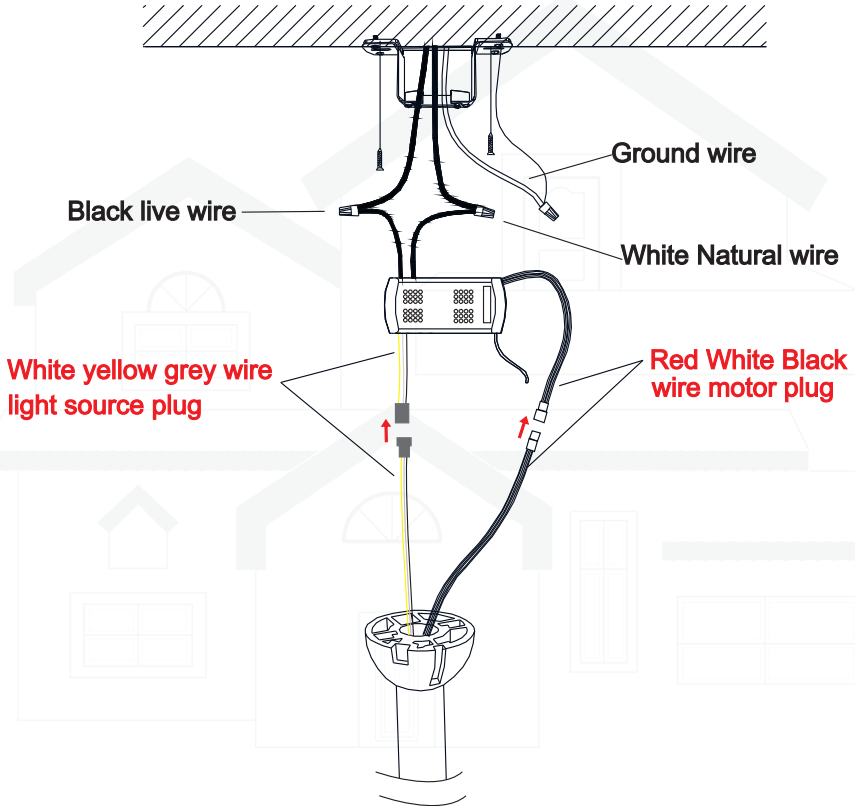
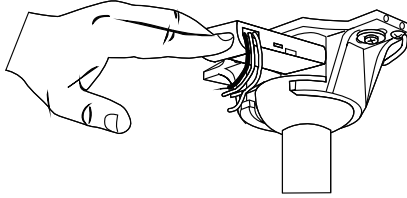


Figure 10

② Put the receiver into the Bracket and arrange the wires



③ Adjust the position of Canopy, then lock it

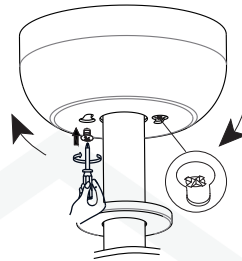
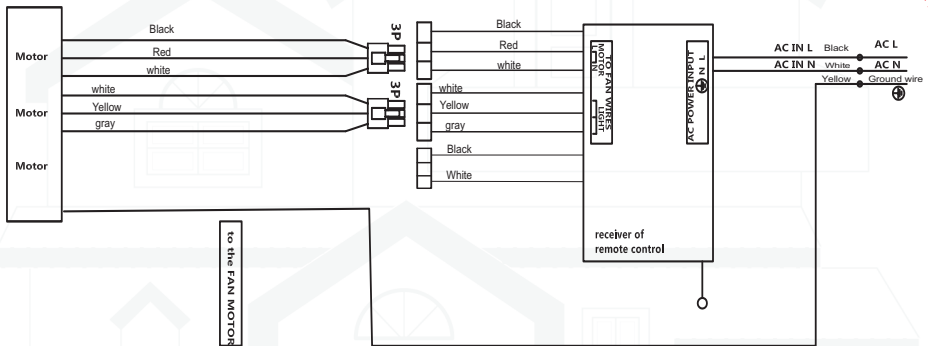
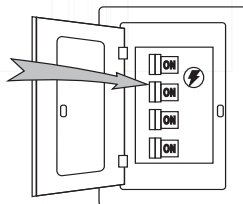


Figure 10

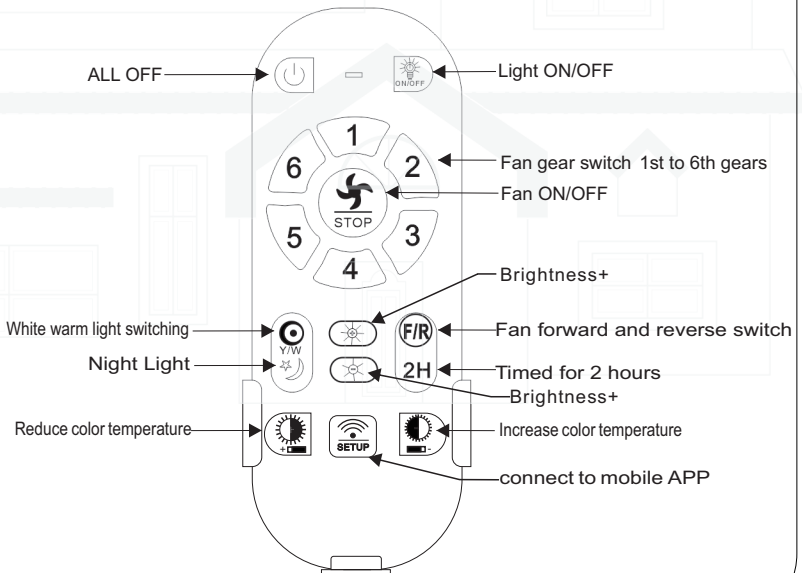
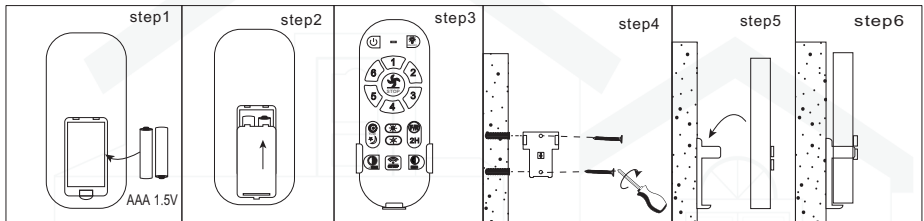


Installation is now finished . Turn on the power switch. Then the fan lights are on Test and pair your fan immediately using the remote control



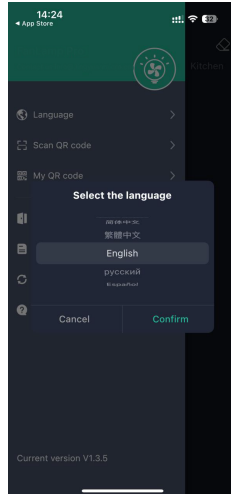
1. Restore electrical to the outlet box by turning the electricity on at the main fuse box.
2. Remove the battery cover from the remote control transmitter, install the battery, and replace the cover.
 Note:
 - 1). Use AAA 2 1.5V battery to replace battery.
 - 2). If not using for long periods of time, remove the battery to prevent damage to the remote transmitter, and store the remote transmitter away from excess heat or humidity.
3. The buttons on the remote control transmitter control the fan speed and light as follows.

Remote Control (Esmmitter) Operation

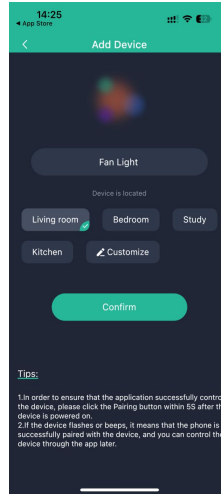


TIPS: If controlled by app, the remote will not work.

1. Language Setting

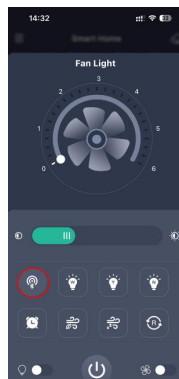


2. Add Device



3. Turn off the main power and turn on the Bluetooth of your phone.
(No need to connect any bluetooth device.)

4. Turn on the main power meanwhile click the button of connecting.
Light blinks twice to indicate a successful connection.



1. Turn "ON" the power supply and within 30 seconds press and hold the transmitters "FAN ON/OFF" button for 5 seconds and a "beep" will be heard this will then activate a successful pairing and all functions will work normally.

IMPORTANT:

pairing initial step must be performed within 30 seconds of power being turned on.

1(a). when pairing multiple fans please ensure the isolation switch or power supply to the first installed fan is turned off prior to pairing further fans e.g please pair one fan at a time

1(b). please ensure isolation switch is kept to the ON position, the isolation switch is not to be used as a light switch as this will damage and make the remote receiver inoperable

2. If the transmitter functions are not working please check the battery orientation and power level. Low battery voltage will affect the functions of your transmitter and operation of your fan. Other remote controls nearby using the same frequency may cause interference with the Fans receiver.

3. Please remove batteries from the transmitter if leaving unused for an extended period of time.

4. Remote supports 200w maximum on lighting side.

IMPORTANT REMINDERS

1. Please note: Receiver must be correctly installed in the mounting bracket on fan

2. When the transmitter cannot control the receiver, please check the battery has sufficient charge in the transmitter.

3. When the transmitter cannot control the receiver, please check if there is any existence of similar remote controlled products nearby, causing interference with each other.

4. Low power of battery will affect the sensitivity of the transmitter and the signal reception accordingly, must replace if the battery is getting low power.

5. Please take the battery out from the transmitter when leaving unused for a long time, to avoid battery leaks.

6. Isolation Switch "Must be connected in the line."

7. When power is cut to the unit (via a blackout or otherwise) when power is restored the light will come on.

Before carrying out any cleaning or maintenance work, always make sure that the appliance is disconnected. LED lights are not removable. LED lights can only be used within the product delivery, they can not be replaced.

PROTECTIVE FUNCTIONS OF THE RECEIVER

Lock protection- The DC motor has a built-in safety feature against blade or motor obstruction during operation. If something obstructs the fan blades or motor, the motor will keep trying to run and then stop operation after about 30 seconds of interruption. Please remove obstacles and reset. To reset: Turn the fan off by remote transmitter and then turn the fan on.

Over load protection (current limit)- The device will limit the maximum current output from the receiver/drive if the fan load has increased abnormally.

Tips

1. If your fan is operates automatically after installation and power on, it is because your fan has memorized the previous factory setting. Use the Universal Mode or the learning function and your fan will be ready for use.
2. If the fan or light isn't working, reset power (turn the power off for at least 5 seconds and then turn the power back on) and redo the learn function setting.
3. It is not possible to remotely operate more than one fan in the same room (in the area where the remote signal can reach to) if they share the same power supply. Separate power supplies (such as using individual wall switches for each fan) is required if you want to separately control more than one fan in same room.
4. When the fan is turned on or operated using forward/reverse function, it shutters & goes back & forth until it turns.
This is a normal and it will take a few seconds to run this operation.

MAINTENANCE

1. Periodic cleaning of your new ceiling fan is the only maintenance that is needed.
2. When cleaning, use only a soft brush or lint free cloth to avoid scratching the finish.
3. Abrasive cleaning agents are not required and should be avoided to prevent damage to finish.

WARNING

Do not use solvents when cleaning your ceiling fan. It could damage the motor and create the possibility of electrical shock.

RECOMMENDED:

Periodically check that the blade sets to the fan motor setscrews are secure and tight.