

STORAGE BED

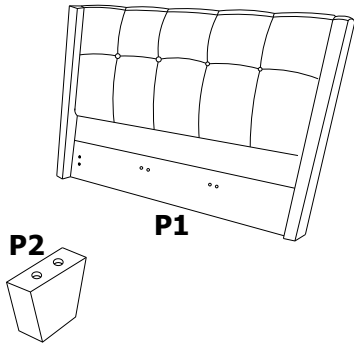
C. KING/E. KING

ASSEMBLY INSTRUCTIONS

PARTS AND FITTING PACKAGING DETAIL

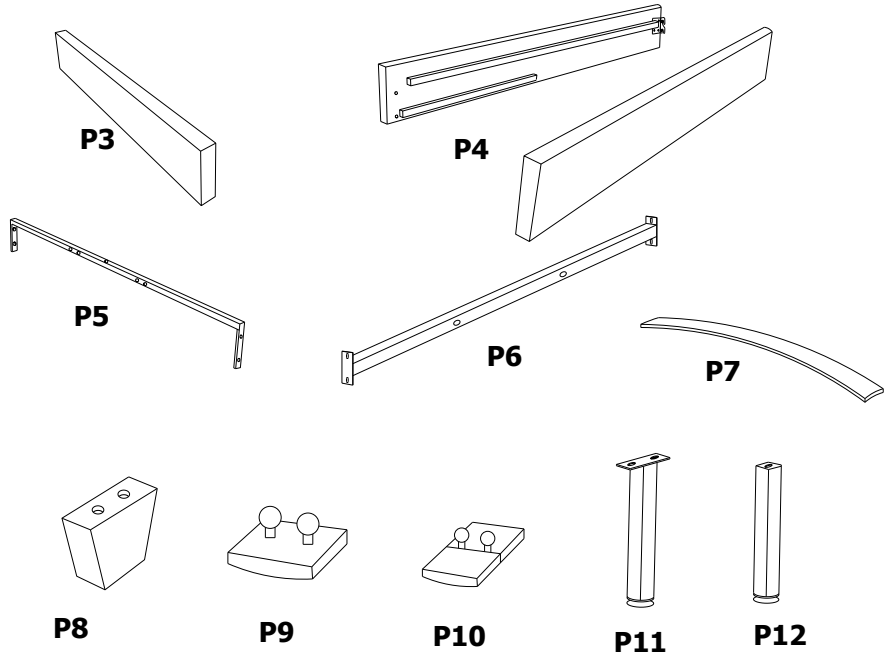
BOX #1

- P1. HEADBOARD 1 PC
- P2. HEADBOARD LEG 2 PCS



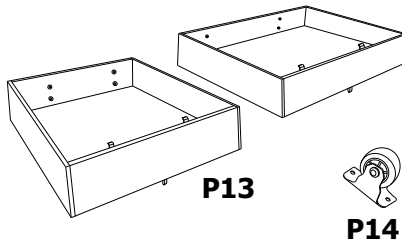
BOX #2

- P3. FOOTBOARD 1 PC
- P4. SIDE RAIL 2 PCS
- P5. METAL SUPPORT BRACE 1 PC
- P6. CENTER SLAT SUPPORT 2 PCS
- P7. SLAT 39 PCS
- P8. FOOTBOARD LEG 2 PCS
- P9. SIDE RAIL SLAT CLIP 26 PCS
- P10. CENTER SUPPORT SLAT CLIP 26 PCS
- P11. CENTER SUPPORT LEG 4 PCS
- P12. METAL SUPPORT LEG 1 PC

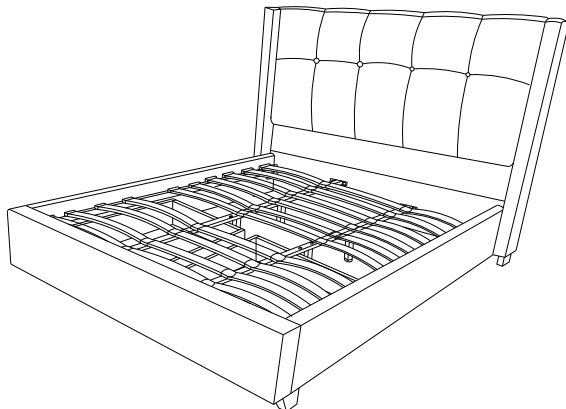


BOX #3

- P13. DRAWER BOX 2 PCS
- P14. CASTERS 6 PCS



STORAGE BED ASSEMBLED



HARDWARE* PACKED IN BOX #1

A1	ALLEN KEY 5/16"	1 PC	A2	ALLEN BOLT 5/16"*3.25"	4 PCS	A3	FLAT WASHER 5/16"	4 PCS	A4	LOCK WASHER 5/16"	4 PCS
A5	ALLEN KEY 1/4"	1 PC	A6	ALLEN BOLT 1/4"*1"	8 PCS	A7	FLAT WASHER 1/4"	8 PCS	A8	LOCK WASHER 1/4"	8 PCS

HARDWARE* PACKED IN BOX #2

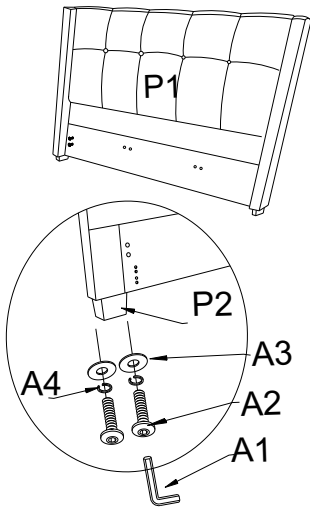
B1	ALLEN KEY 5/16"	1 PC	B2	SPANNER 5/16"	1 PC	B3	ALLEN BOLT 5/16"*1"	8 PCS	B4	ALLEN BOLT 5/16"*2.5"	13 PCS
B5	ALLEN BOLT 5/16"*3.25"	2 PCS	B6	FLAT WASHER 5/16"	35 PCS	B7	LOCK WASHER 5/16"	23 PCS	B8	HEX NUT 5/16"	12 PCS

HARDWARE* PACKED IN BOX #3

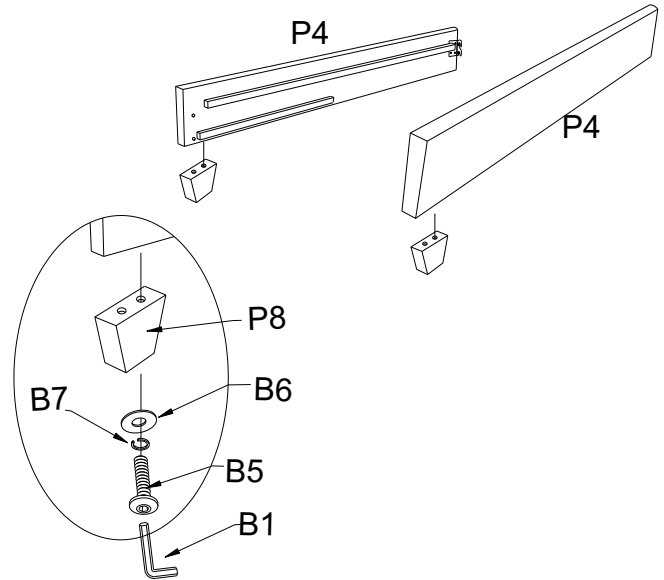
C1	ALLEN KEY 1/4"	1 PC	C2	ALLEN BOLT 1/4"*1.25"	8 PCS	C3	FLAT WASHER 1/4"	8 PCS	C4	LOCK WASHER 1/4"	8 PCS
C5	ALLEN BOLT 1/4"*0.62"	12 PCS									



STEP 1:

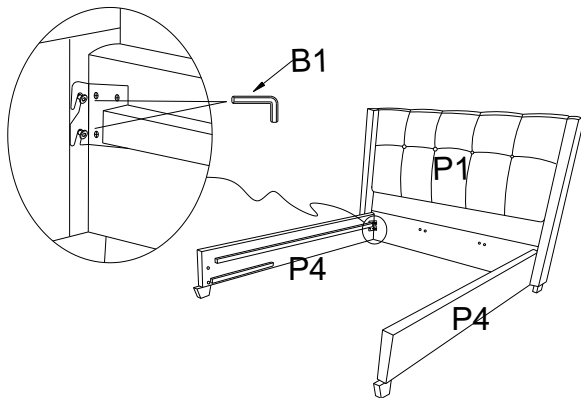


STEP 2:



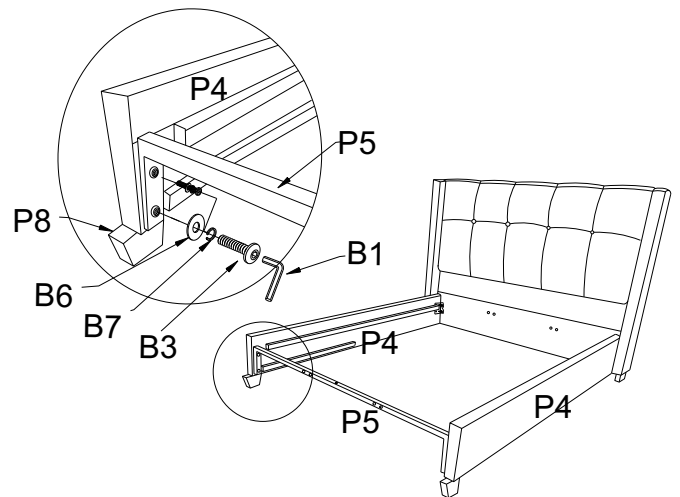
STEP 3 :

LOOSEN THE PREATTACHED BOLTS ON THE HEADBOARD AND CONNECT THE SIDE RAILS. TIGHTEN THE BOLTS WITH ALLEN KEY (B1).



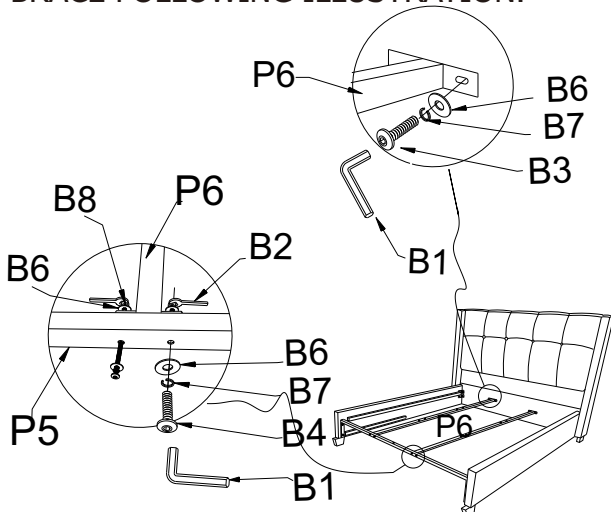
STEP 4 :

ATTACH METAL SUPPORT BRACE (P5) TO THE SIDE RAILS FOLLOWING ILLUSTRATION. TIGHTEN WITH ALLEN KEY.



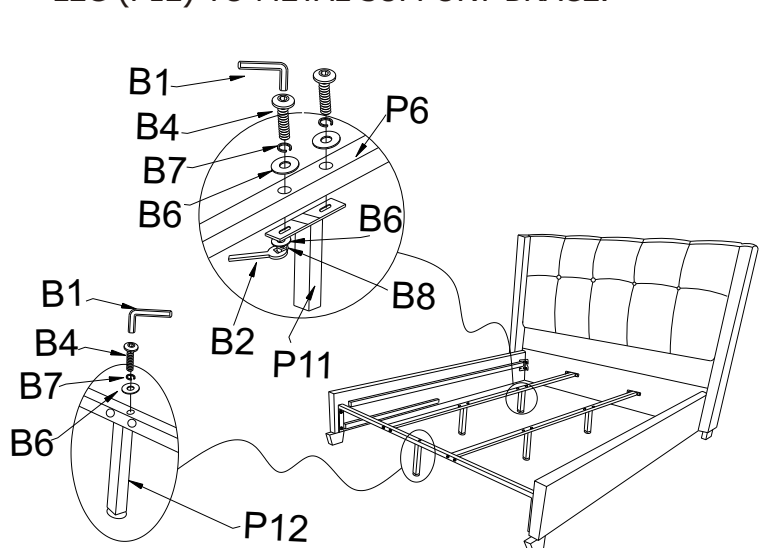
STEP 5 :

CONNECT CENTER SLAT SUPPORT (P6) TO HEADBOARD AND METAL SUPPORT BRACE FOLLOWING ILLUSTRATION.



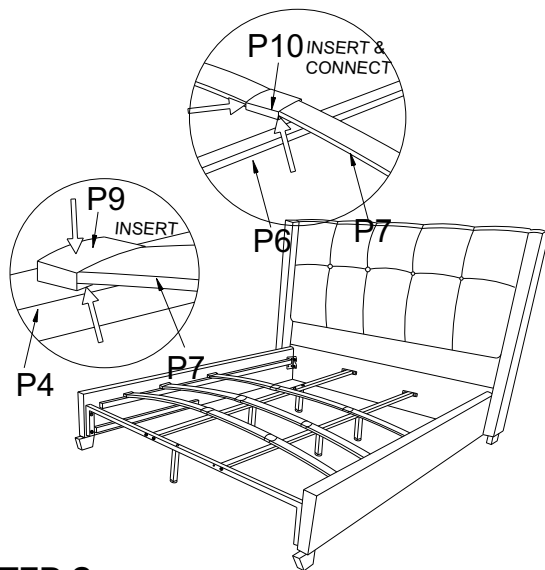
STEP 6 :

ATTACH CENTER SUPPORT LEGS (P11) TO CENTER SLAT SUPPORT. ATTACH METAL SUPPORT LEG (P12) TO METAL SUPPORT BRACE.

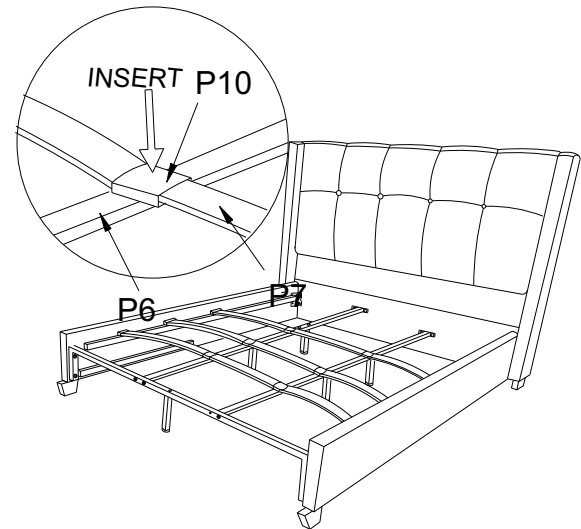
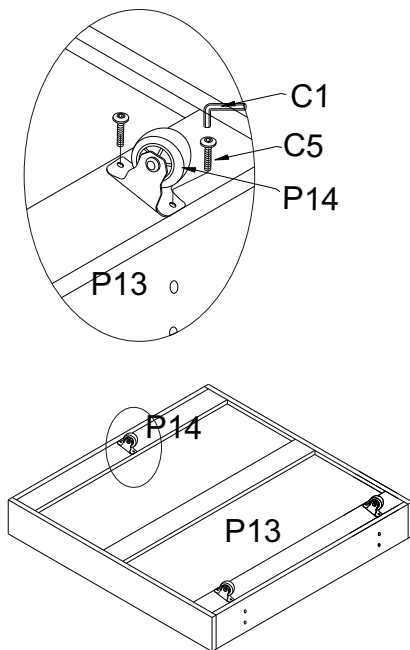


STEP 7 :

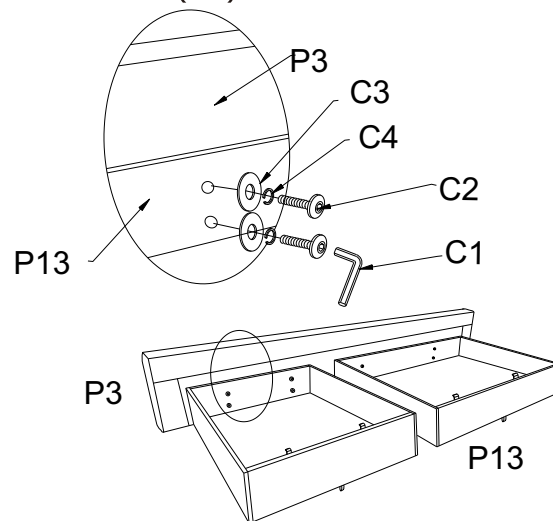
ATTACH SIDE RAIL SLAT CLIPS (P9) TO SIDE RAIL. INSERT SLATS (P7) INTO SIDE RAIL CLIPS THEN CONNECT THE SLAT SECTIONS WITH CENTER SUPPORT SLAT CLIPS (P10).

**STEP 8 :**

ATTACH CENTER SUPPORT CLIPS, WITH SLATS INSERTED, INTO CENTER SLAT SUPPORTS.

**STEP 9 :****STEP 10 :**

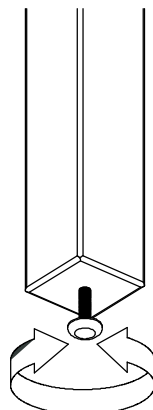
ATTACH DRAWER BOXES (P13) TO FOOTBOARD (P3). DRAWER BOXES ARE INTERCHANGEABLE AND CAN BE ATTACHED TO EITHER LEFT OR RIGHT SIDE OF FOOTBOARD. TIGHTEN BOLTS WITH ALLEN KEY (C1).

**INSTRUCTIONS FOR ADJUSTING LEVELERS :**

POSITION THE BED IN YOUR ROOM. LOCATE LEVELERS UNDER EACH SUPPORT LEG (P11/P12).

TURN COUNTER-CLOCKWISE TO EXTEND, CLOCKWISE TO RETRACT.

ADJUST LEVELERS UNTIL EACH LEG SUPPORT IS APPLYING EQUAL UPWARD PRESSURE ON THE CENTER SLAT.

**MAINTENANCE INSTRUCTIONS :**

- REMOVE BOX SPRING AND MATTRESS BEFORE MOVING YOUR BED.
- LIFT YOUR BED WHEN MOVING IT. DRAGGING CAN DAMAGE CENTER SUPPORT.
- READJUST LEVELERS AFTER MOVING YOUR BED.

STEP 11 :
INSERT ASSEMBLED STORAGE DRAWER INTO FOOT OF BED.

