




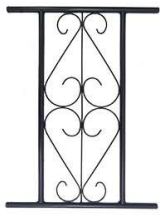


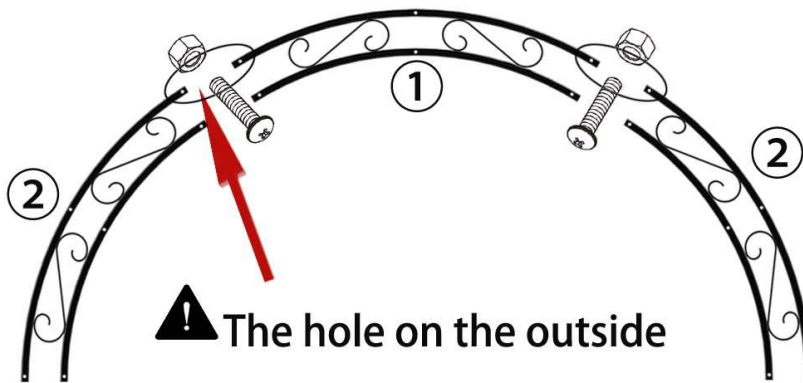


ASSEMBLY INSTRUCTIONS

 <p>① 2pcs</p>	 <p>② 4pcs</p>	 <p>③ 11pcs</p>	 <p>④ 4pcs</p>
 <p>⑤ 4pcs</p>	 <p>⑥ 4pcs</p>	 <p>⑦ 50pcs</p>	 <p>⑧ 12pcs</p>

Step1: Connect ①&② with screws.

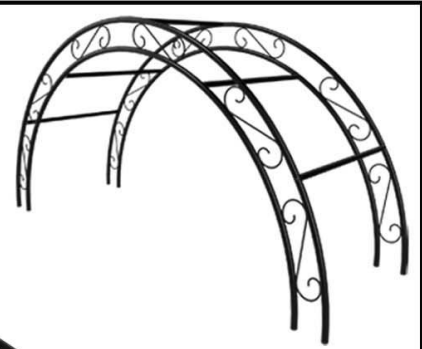
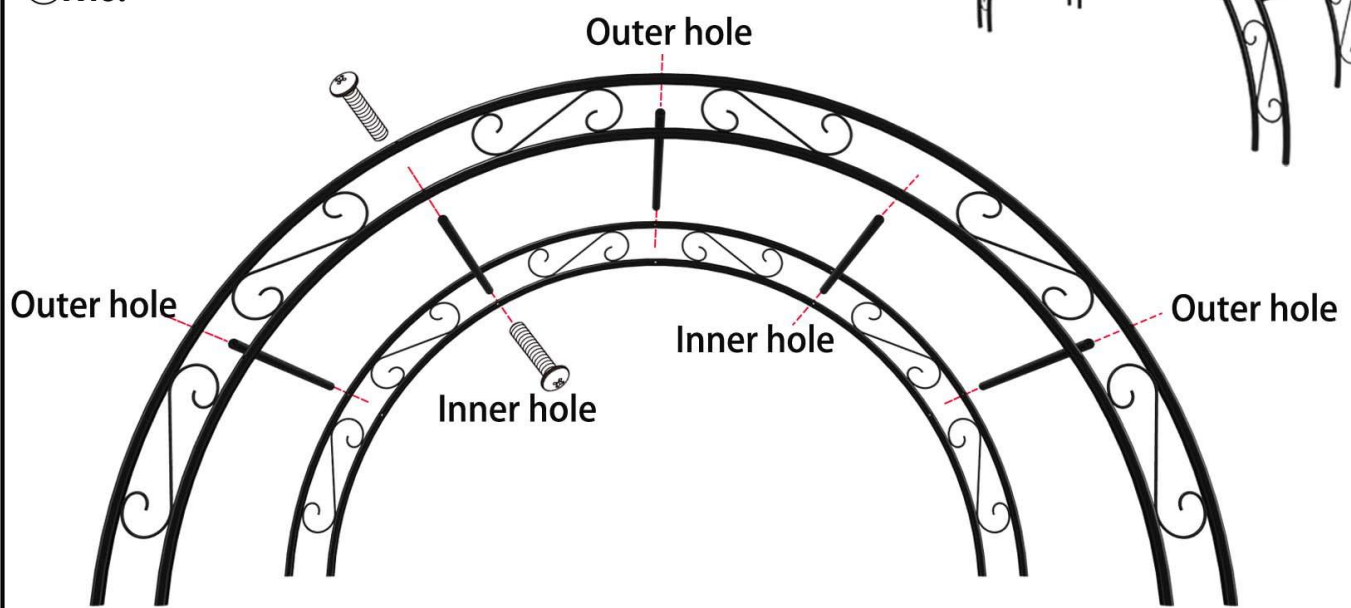
- ①x2,
- ②x4,
- ⑦x4,
- ⑧x4.



x2

Step2: Connect the two arc pieces and ③ with screws.

- ③x5,
- ⑦x10.

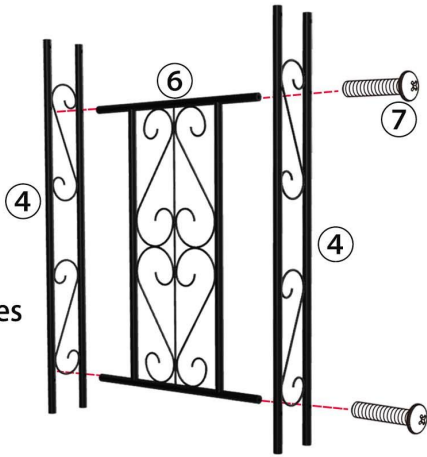


Step3: Connect ④ & ⑥ with screws.

④x4,
⑥x2,
⑦x8.

▲ Up side:
⑥ with outer holes

x2

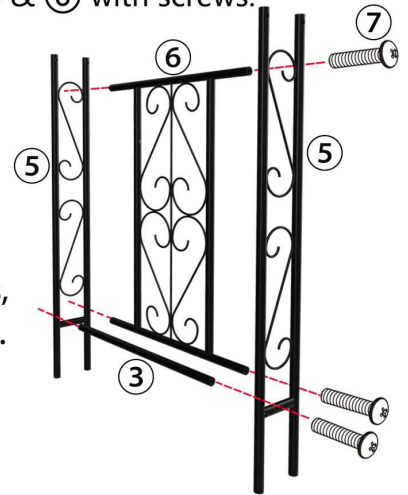


Step4: Connect ⑤ & ⑥ with screws.

③x2,
⑤x4,
⑥x2,
⑦x12.

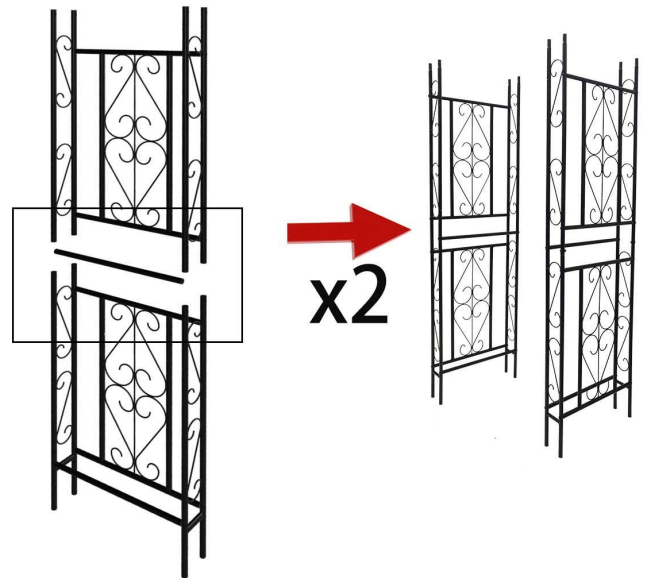
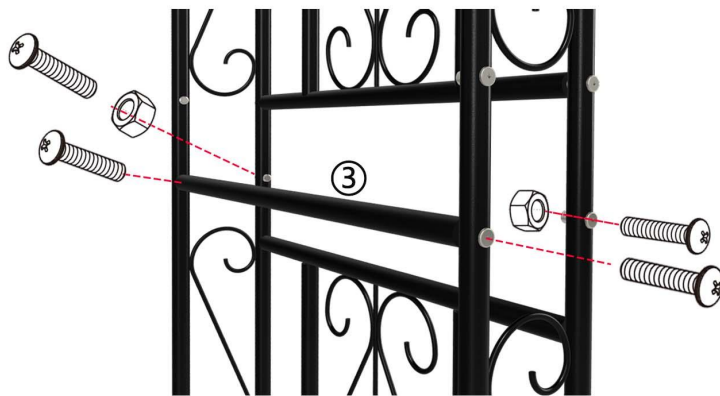
▲ Under side:
⑥ with outer holes,
③ with inner holes.

x2



Step5: Connect up & under side with ③ & screws.

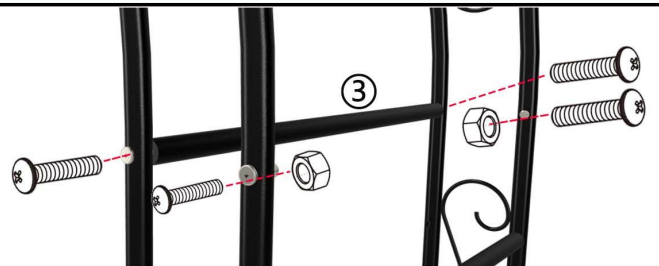
③x2,
⑦x8,
⑧x4.



x2

Step6: Connect top & two sides with ③ & screws.

③x2,
⑦x8,
⑧x4.



▲ !
③ with inner holes.

