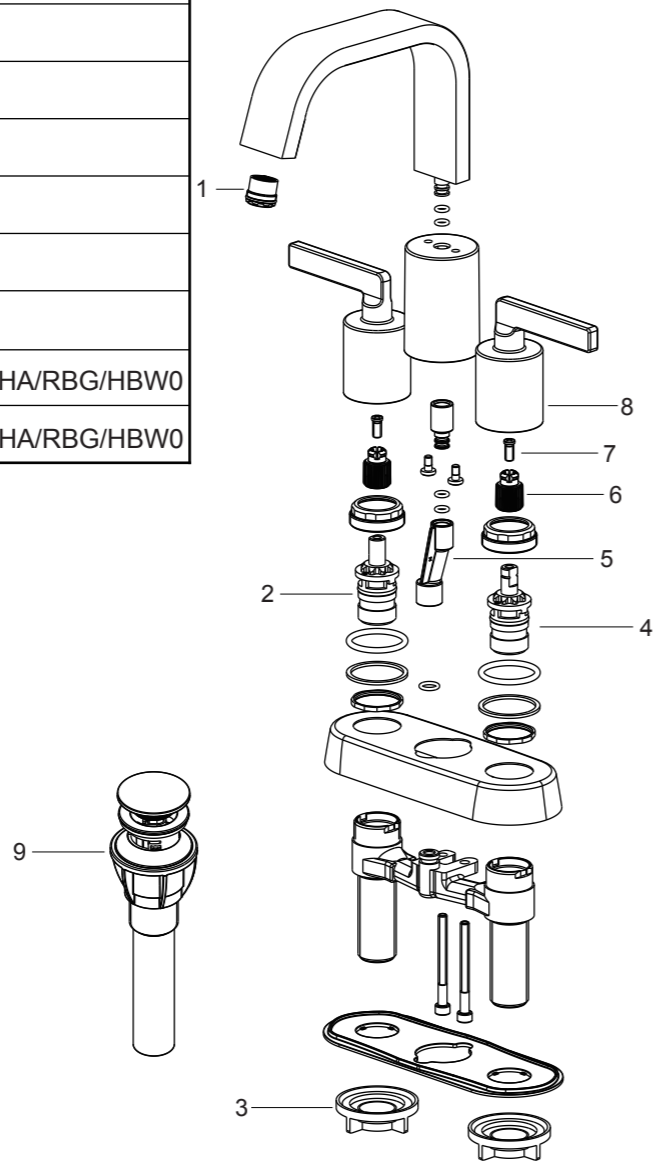


Replacement Parts / Pièces de rechange / Repuestos

NO.	Description	Part No.
1	Aerator	5E0005200PL0
2	Cartridge-Hot	5D8003000NT0
3	Lock Nut	52006918PL
4	Cartridge-Cold	5D8003100NT0
5	Connector	5J0069600PL0
6	Handle Adaptor	5L0099300PL0
7	Screw	5T0F0241NT
8	Handle Assembly	5Y0215200CP/PSR/HA/RBG/HBW0
9	Push Pop-Up Assembly	5Y0161903CP/PSR/HA/RBG/HBW0



Limited Lifetime Warranty

Ultra Faucets warrants to the original purchaser that its products will be free from defects in workmanship and materials. All Ultra Faucets are provided with a life time limited warranty. This warranty does not cover any other labor or service charges associated with the removal, repair, or reinstallation of Ultra Faucets products. This express warranty does not apply to products that have been damaged as a result of misuse, abuse, negligence, accident, faulty installation or maintenance practices and/or used in any manner contrary to those recommended by the manufacturer.

Need help? Please call our toll-free customer service line at 1-888-658-5872 for additional assistance or service.

Besoin d'aide? Veuillez communiquer avec notre service à la clientèle au numéro gratuit 1-888-658-5872 pour tous renseignements ou services complémentaires.

¿Requiere asistencia? Llame a nuestro Servicio al Cliente, sin costo, al 1-888-658-5872 para asistencia adicional o servicio.

Revised 11-2020

Ardua Collection

Two-Handle Lavatory Faucet



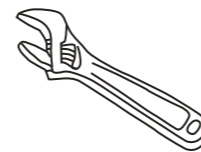
Installation/Installation/Instalación

CUSTOMER SERVICE
TOLL-FREE 1-888-OK-ULTRA (658-5872)

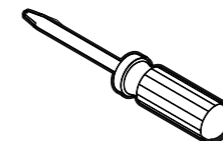
- UF46810 - Polished Chrome
- UF46813 - Brushed Nickel
- UF46815 - Oil Rubbed Bronze
- UF46817 - Matte Black
- UF46818 - Brushed Gold
- UF46819 - Spot Resist Brushed Nickel



Tools You Will Need / Outils dont vous aurez besoin / Herramientas necesarias



Adjustable Wrench
 Clé à molette
 Llave ajustable



Phillips Screwdriver
 Tournevis Phillips
 Destornillador cruciforme



Pipe Tape
 Ruban pour tuyau
 Cinta selladora para rosca



Groove join pliers
 Pince multiprise
 Pinzas ajustables

SAFETY TIPS

- If you use soldering for the installation of the faucet, the seats, cartridges and washers will have to be removed before using flame. Otherwise, warranty will be void on those parts.
- Cover your drain to avoid losing parts.
- 0°C~55°C.

CONSIGNES DE SÉCURITÉ

- Si vous posez le robinet par brasage, il est essentiel de retirer les sièges, les cartouches et les rondelles avant d'appliquer la flamme, faute de quoi la garantie sur ces pièces sera annulée.
- Couvrez le drain pour ne pas perdre des pièces.
- 0°C~55°C.

CONSEJOS DE SEGURIDAD

- En el caso de utilizar soldadura para instalar el grifo, remueva los asientos, cartuchos y arandelas antes de usar la llama. De lo contrario, se anulará la garantía para esos componentes.
- Tape la boca del desagüe para prevenir la pérdida de piezas pequeñas.
- 0°C~55°C.

Revised 11-2020

