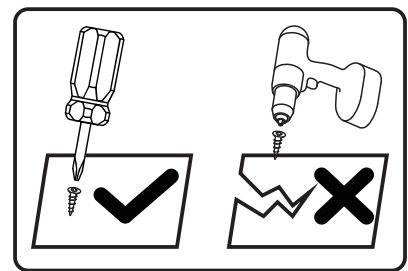
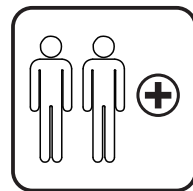
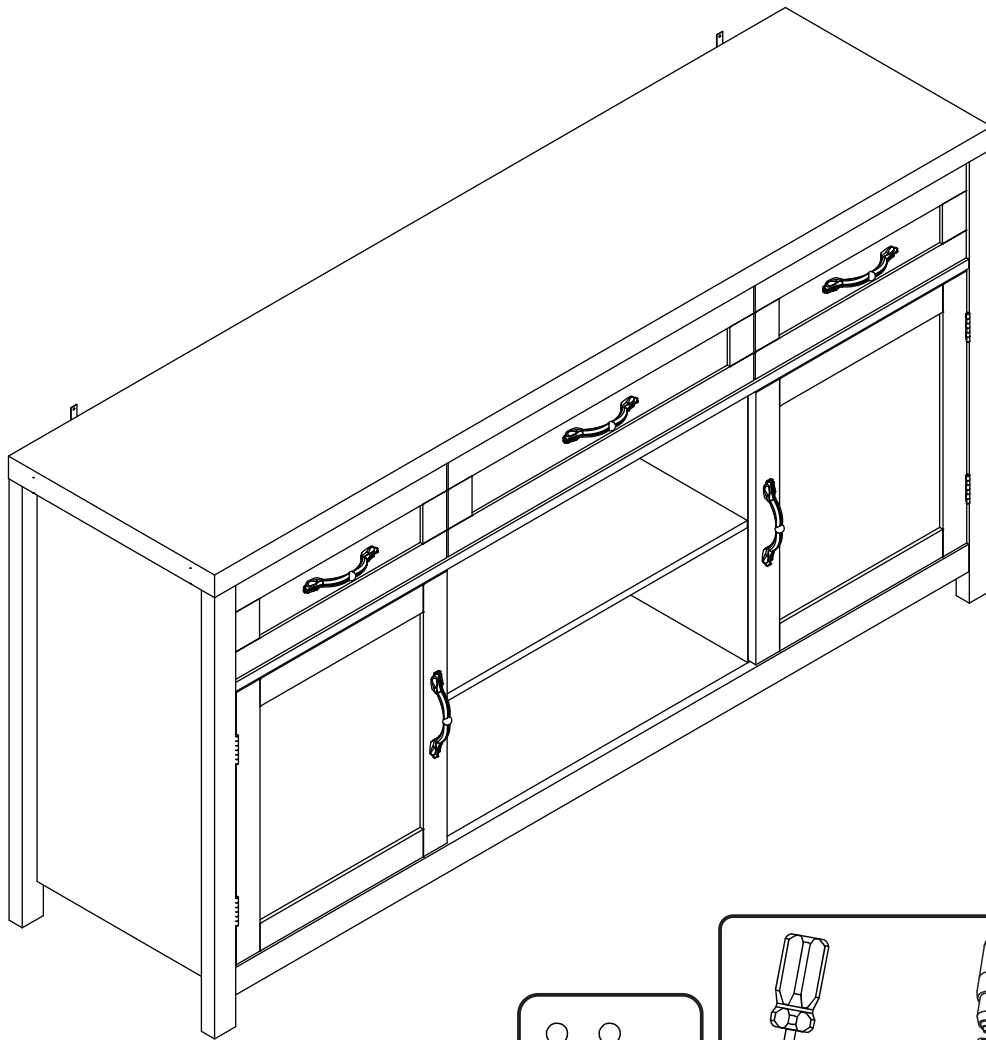


# ASSEMBLY INSTRUCTIONS



## Tools Recommended

THIS INSTRUCTIONS CONTAINS IMPORTANT SAFETY INFORMATION.  
PLEASE READ BEFORE ASSEMBLY AND KEEP FOR FUTURE REFERENCE.

# IMPORTANT NOTICE

- This product contains small components, please ensure that they are kept away from small children.
- THIS INSTRUCTIONS CONTAINS IMPORTANT SAFETY INFORMATION. PLEASE READ BEFORE ASSEMBLY AND KEEP FOR FUTURE REFERENCE.
- Read each step carefully. It is very important that each step of instruction is performed in the correct order. If these steps are not followed in sequence, assembly difficulties will occur.
- Make sure all parts are included. Most parts are labelled or stamped on the raw edge.
- Work in spacious area, preferably on a carpet, near the place the unit will be used.
- Do not use power tools to assemble your furniture. Power tools may strip or damage the parts.
- Move your new furniture carefully, with two people lift and carry the unit to it's new location.
- Never push, drag or pull your furniture (especially on carpet)





## PLEASE DO NOT RETURN PRODUCT TO US IMMEDIATELY

If a part is missing or damaged, email our customer service. We will gladly ship your replacement parts FREE of charge.

Need Parts or Assistance? Email us

For Prompt, reliable service, please have your assemble instruction ready

 <b>WARNING!</b>	
	<p><b>Children have died from furniture tipover. To reduce the risk of furniture tipover:</b></p> <ul style="list-style-type: none"><li>• ALWAYS install anti-tip device provided.</li><li>• NEVER put a TV on this product.</li><li>• NEVER allow children to stand, climb or hang on any drawers, doors, or shelves.</li><li>• NEVER open more than one drawer at a time.</li><li>• Place heaviest items in the lowest drawers.</li></ul> <p>This is a permanent label. Do not remove!</p>
	

Total number of boards required for this product: 49pcs

Includes frame plate: 19pcs

<u>part 1*1pcs</u>	<u>part 4*2pcs</u>	<u>part 7*1pcs</u>	<u>part 10*1pcs</u>	<u>part 14*1pcs</u>
<u>part 2*1pcs</u>	<u>part 5*1pcs</u>	<u>part 8*1pcs</u>	<u>part 11*1pcs</u>	<u>part 15*2pcs</u>
<u>part 3*1pcs</u>	<u>part 6*1pcs</u>	<u>part 9*1pcs</u>	<u>part 13*2pcs</u>	<u>part 16*2pcs</u>

Includes feet: 2pcs

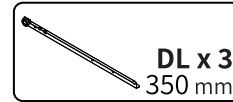
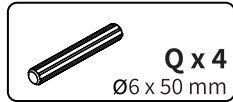
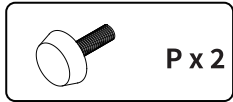
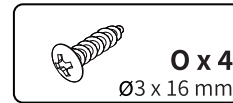
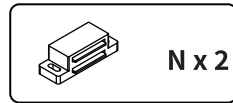
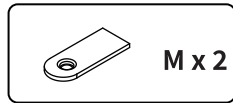
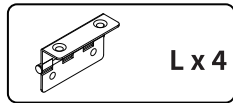
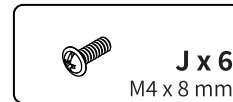
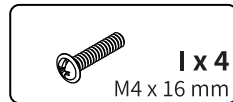
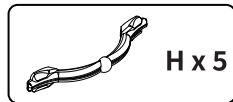
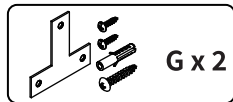
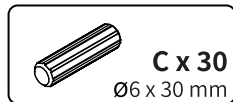
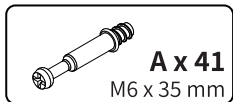
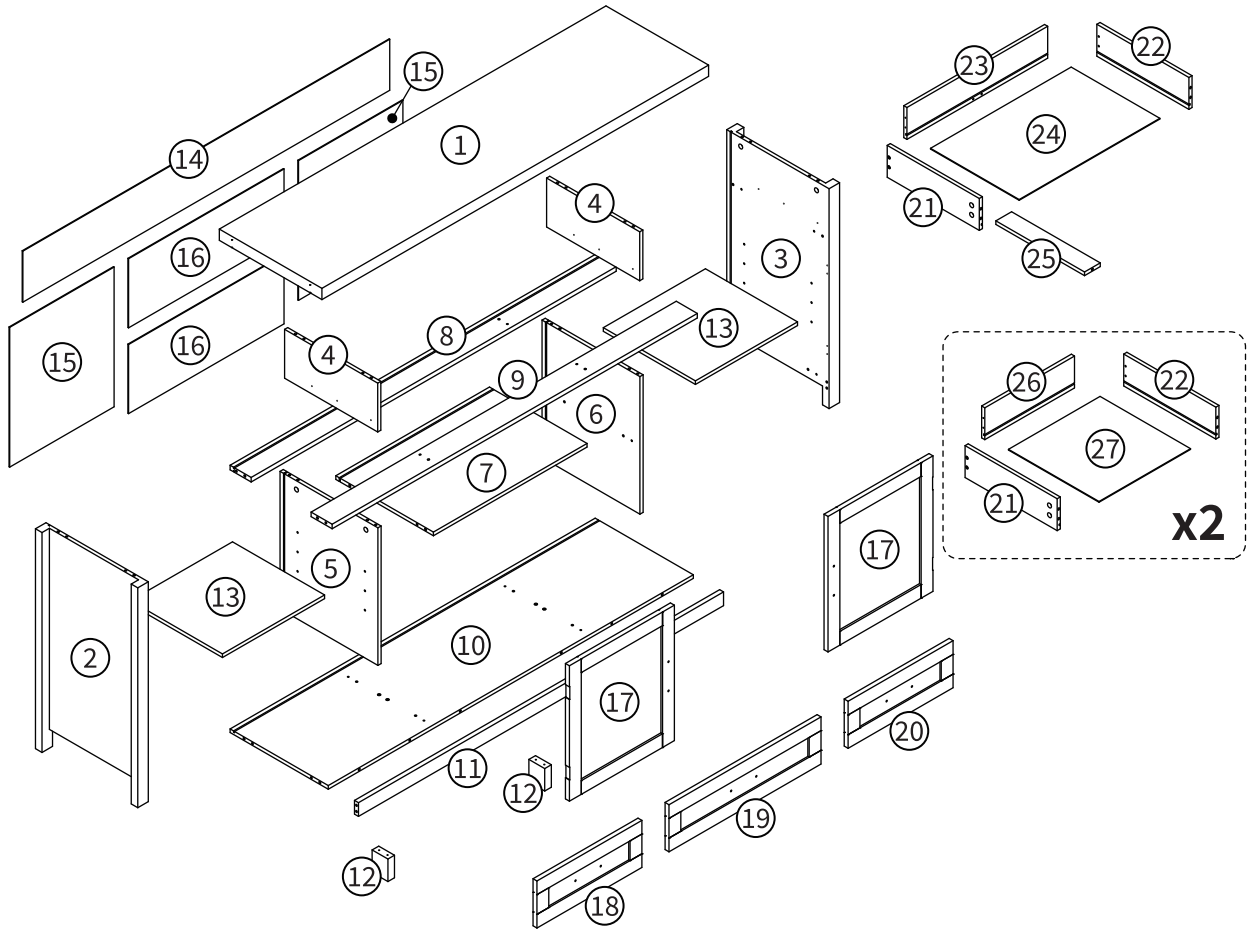
part 12\*2pcs

Includes drawer board: 16pcs

<u>part 18*1pcs</u>	<u>part 20*1pcs</u>	<u>part 22*3pcs</u>	<u>part 24*1pcs</u>	<u>part 26*2pcs</u>
<u>part 19*1pcs</u>	<u>part 21*3pcs</u>	<u>part 23*1pcs</u>	<u>part 25*1pcs</u>	<u>part 27*2pcs</u>

Includes door: 2pcs

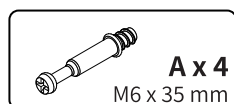
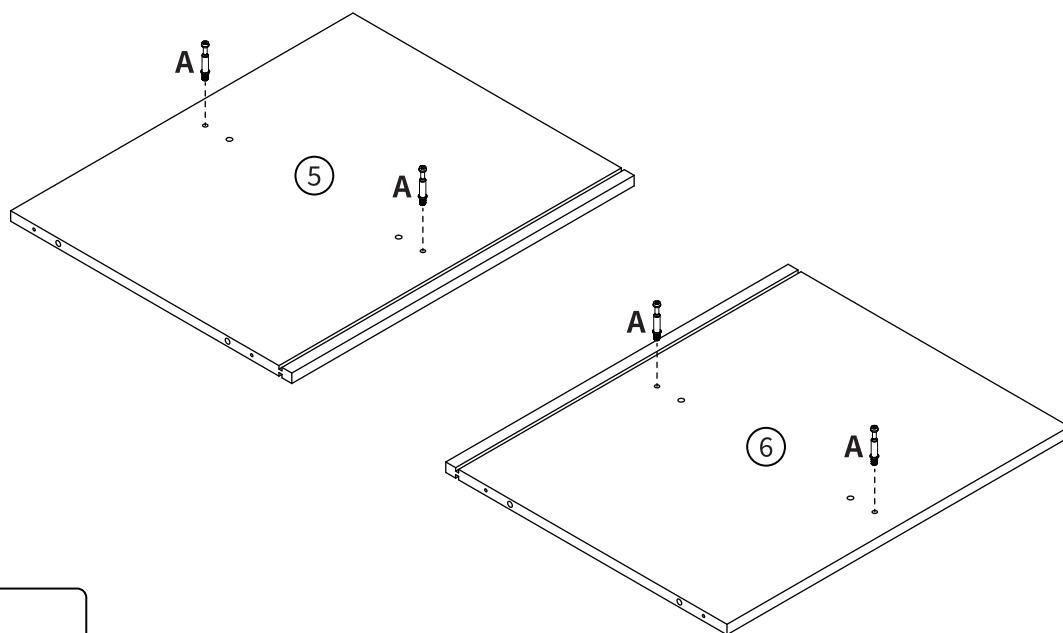
part 17\*2pcs



## Step 1

Lock the screws (A) on panel ⑤ and panel ⑥.

The installation position is as shown in the figure below.



## Step 2

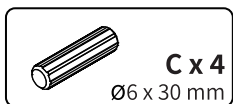
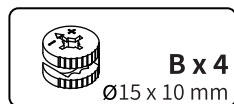
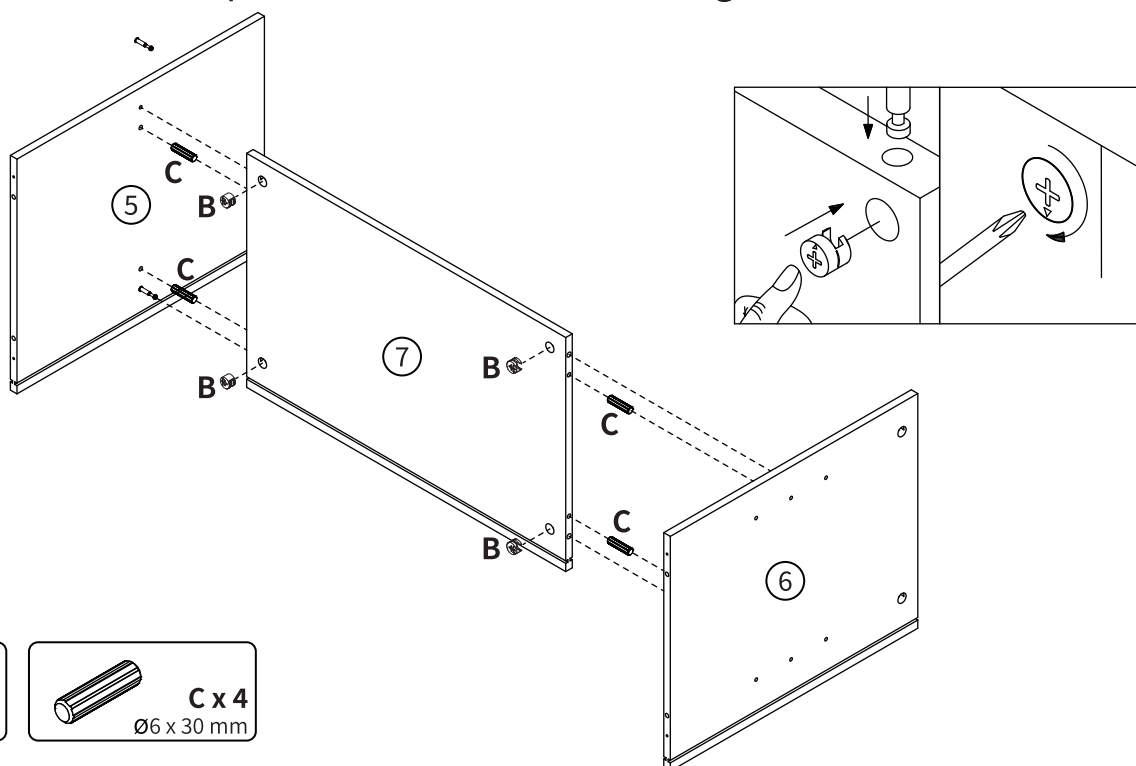
First insert the wooden dowel (C) into panel ⑦.

Then connect panel ⑤, panel ⑥ and panel ⑦.

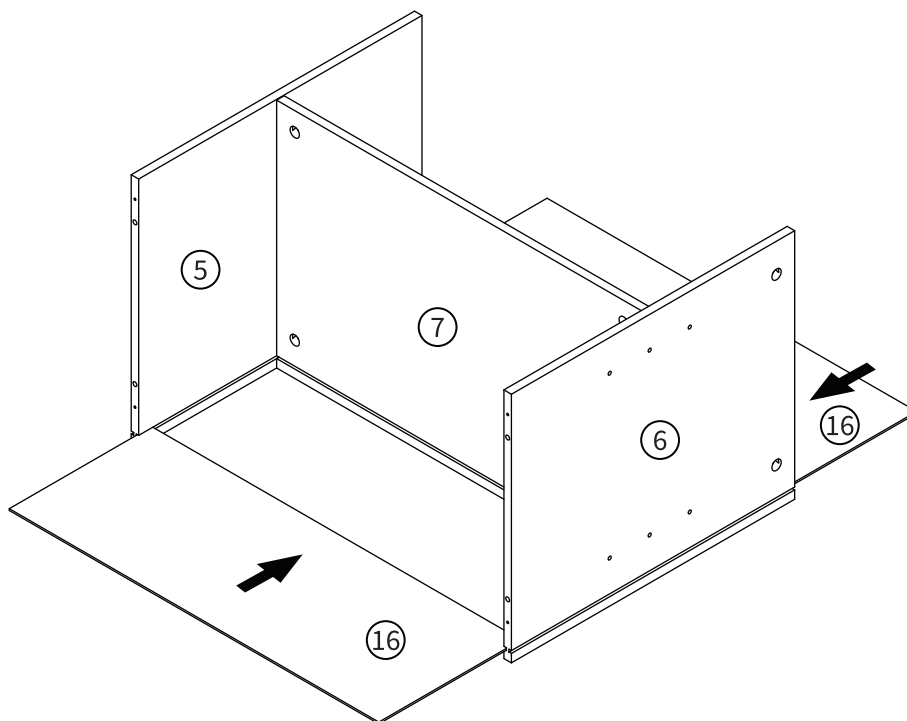
Then put the eccentric wheel (B) into the reserved hole of panel ⑦

Turn the screwdriver clockwise to tighten.

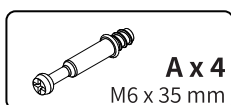
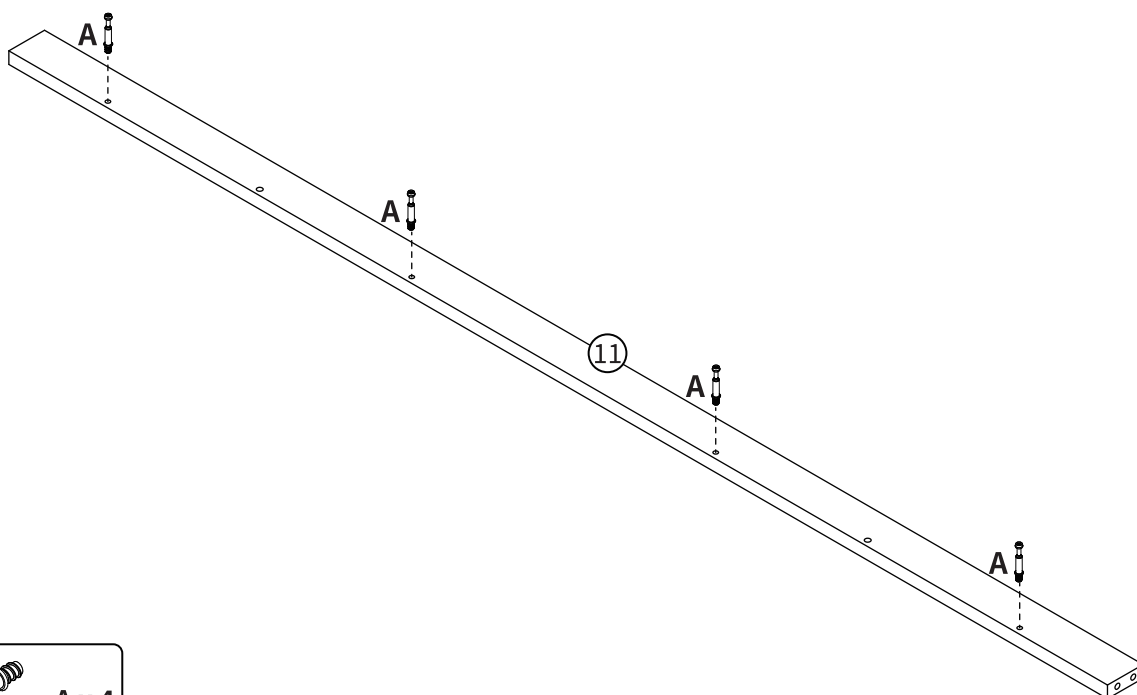
The installation position is as shown in the figure below.



**Step 3** Insert the two panel ⑫ into the slots of panel ⑤ and panel ⑥.  
The installation position is as shown in the figure below.



**Step 4** Lock the screws (A) on panel ⑪ .  
The installation position is as shown in the figure below.

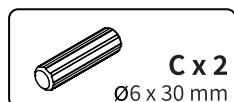
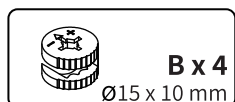
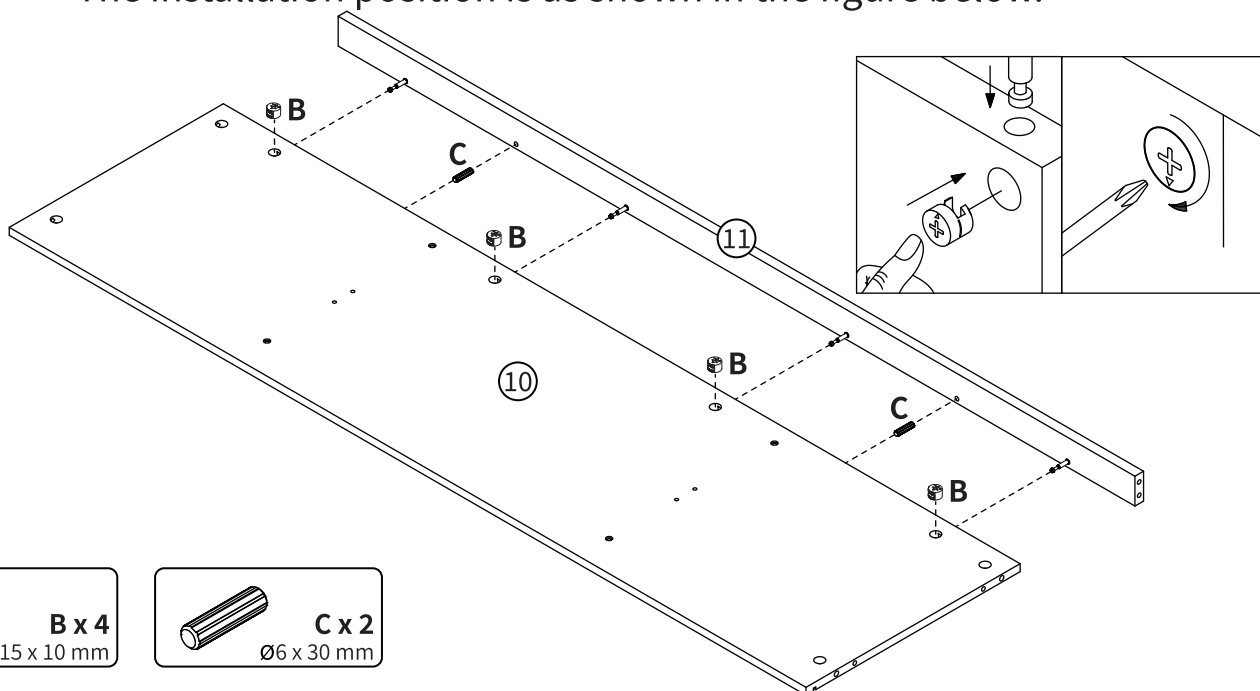


**Step 5** First insert the wooden dowel (C) into panel ⑩.

Then link panel ⑩ and panel ⑪.

Finally, place the eccentric (B) in the reserved hole of panel ⑩ and tighten it clockwise with a screwdriver.

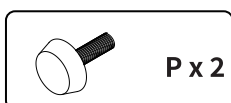
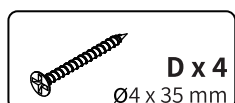
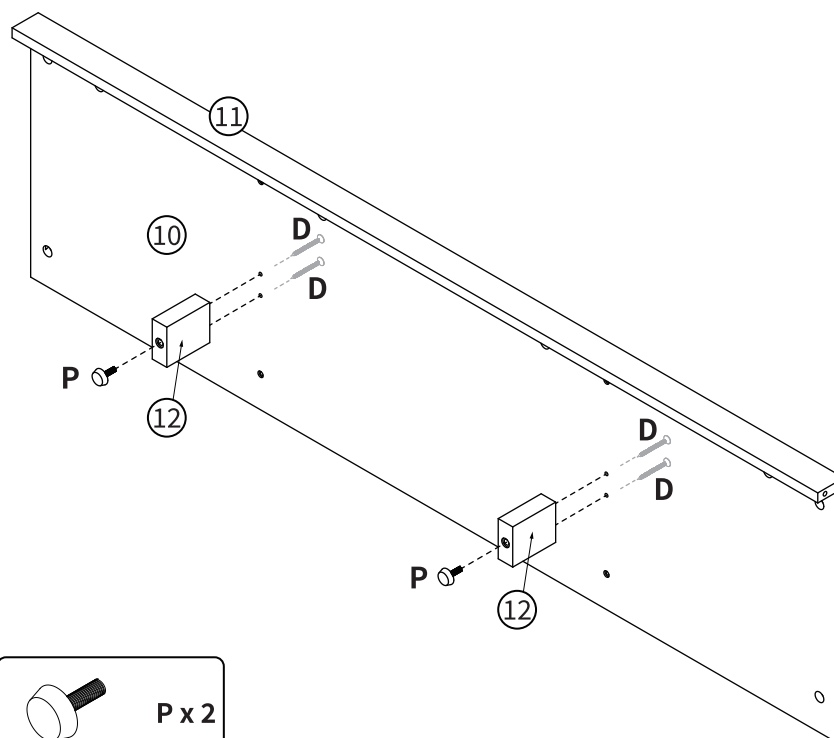
The installation position is as shown in the figure below.



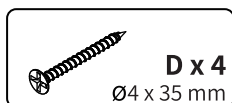
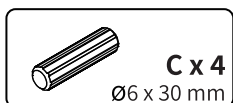
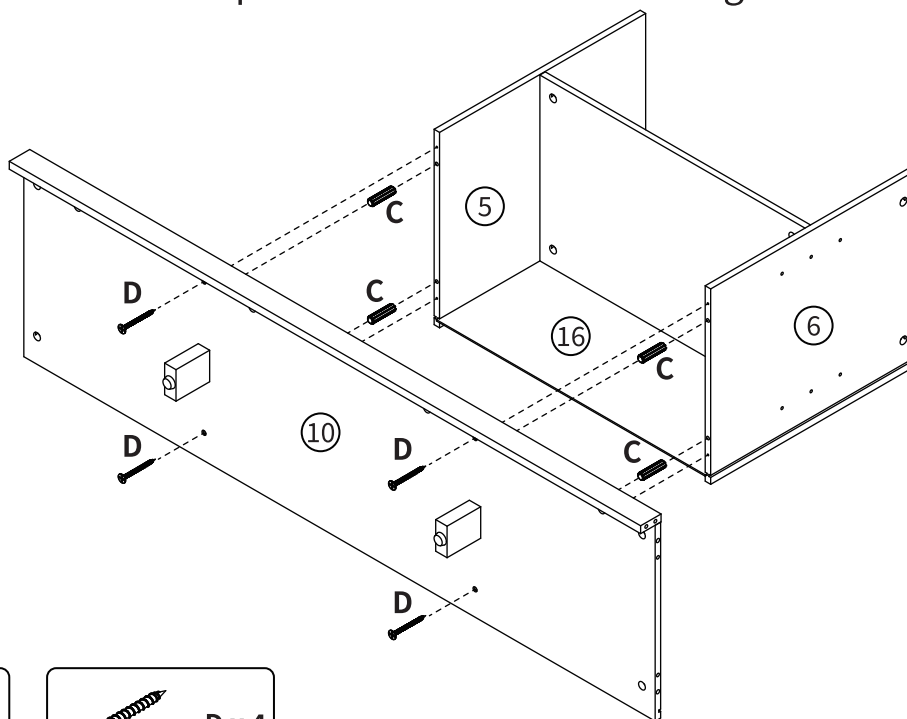
**Step 6** First, connect part ⑫ and panel ⑩ with screws (D).

Insert the screw adjustment pin (P) into the bottom of part ⑫.

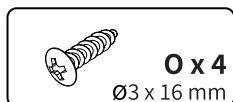
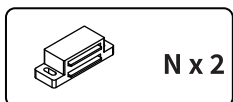
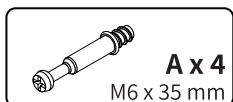
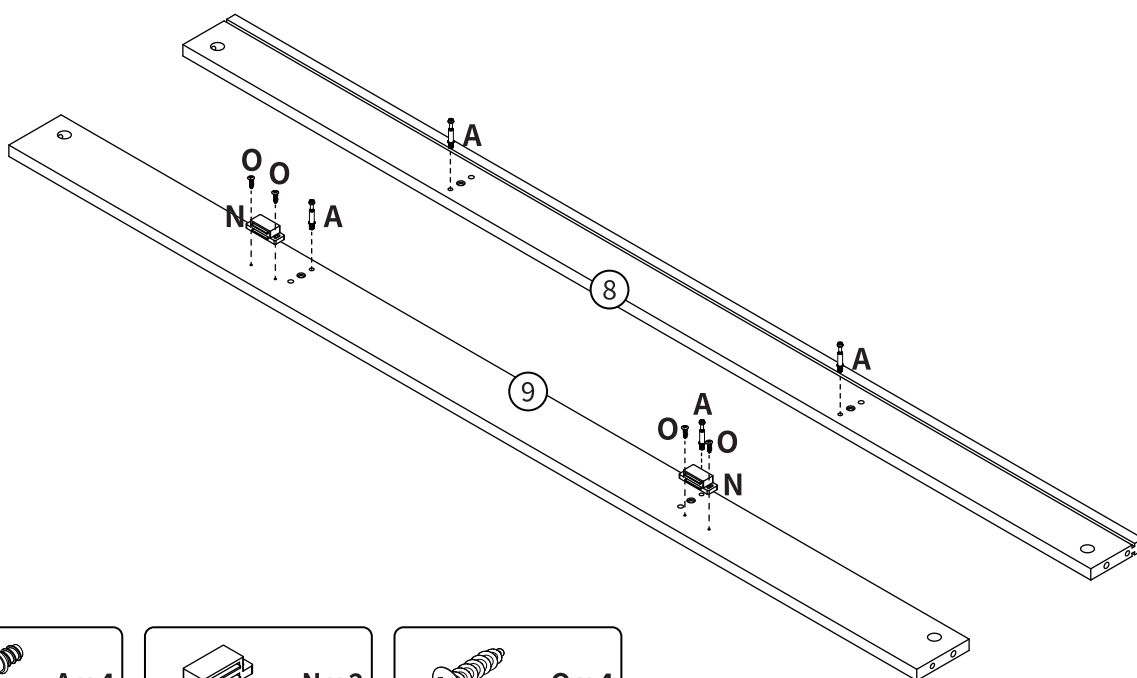
The installation position is as shown in the figure below.



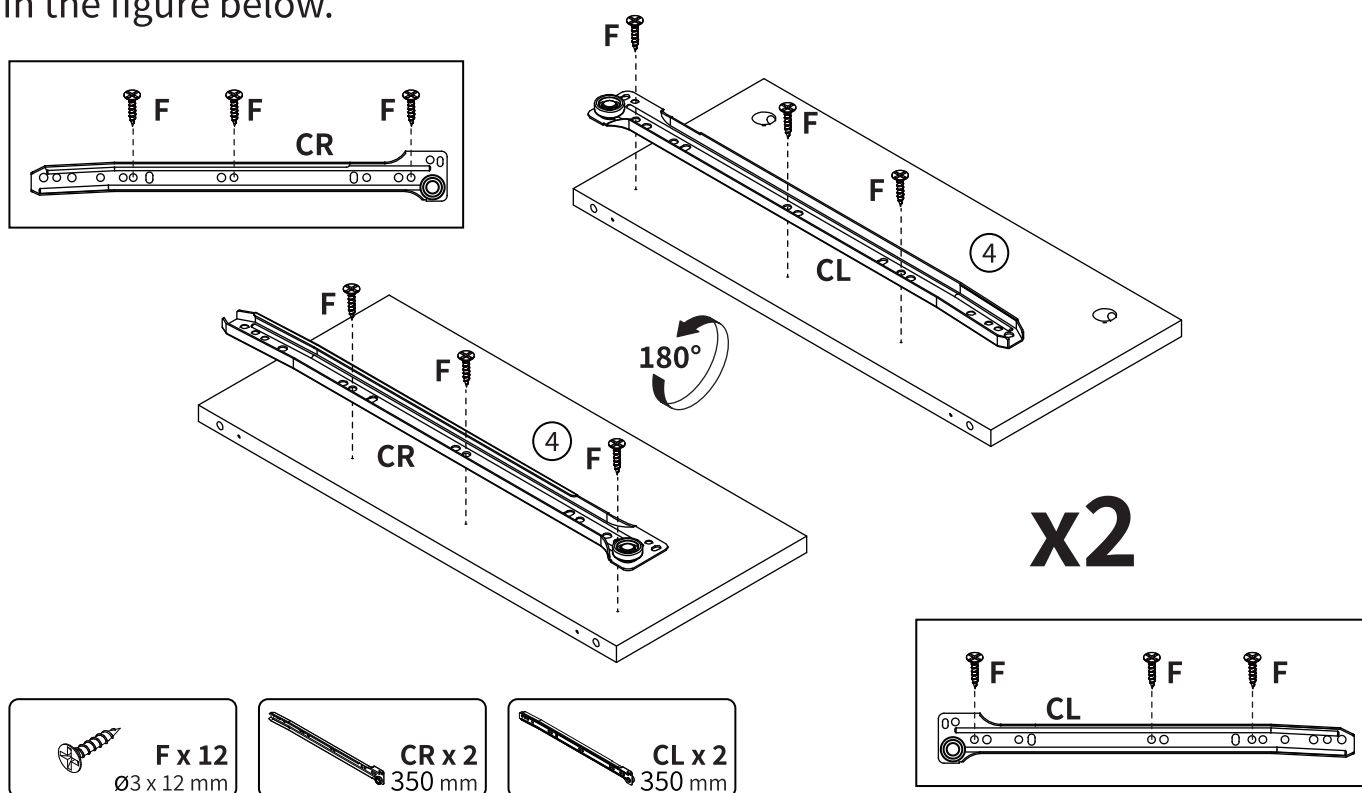
**Step 7** First, insert the wooden dowels (C) into panel ⑤ and panel ⑥.  
 Then use screws (D) to connect panel ⑩ to panel ⑤ and panel ⑥.  
 The installation position is as shown in the figure below.



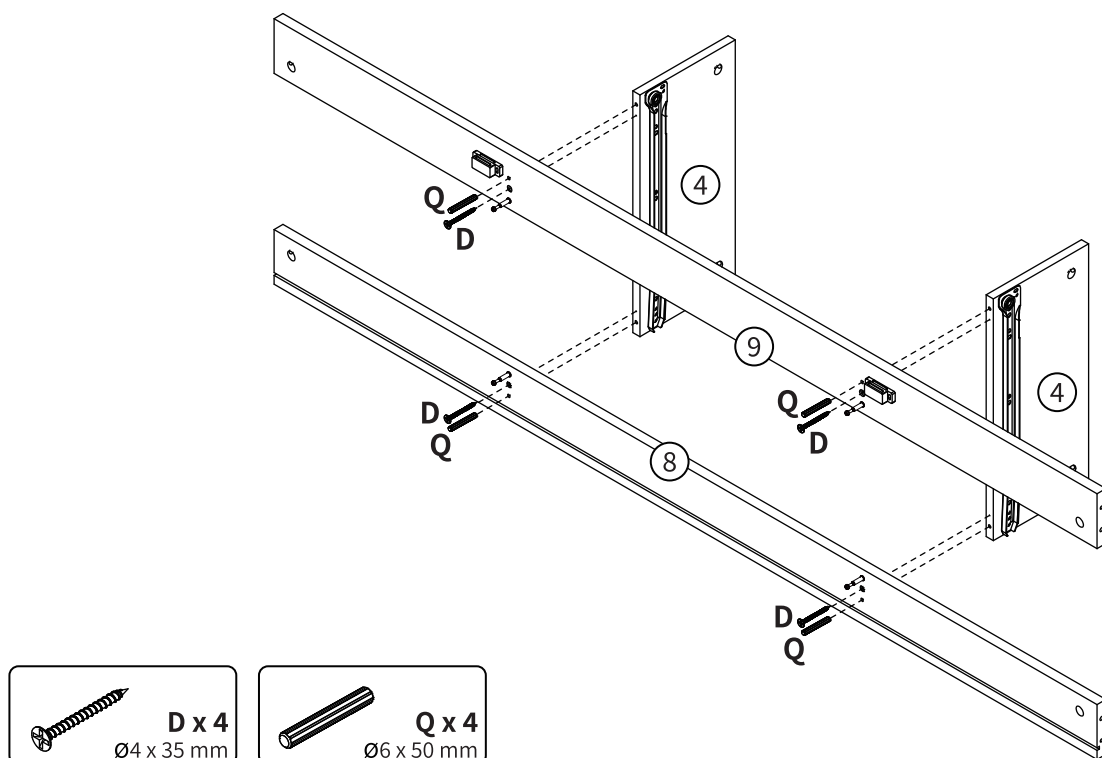
**Step 8** First, use screws (O) to fix the hardware (N) on the panel ⑨.  
 Then, lock the screw (A) on panel ⑧ and panel ⑨.  
 The installation position is as shown in the figure below.



**Step 9** First, use screws (F) to fix the slide rail (CR) on the left side of panel ④ without the eccentric hole. Then flip 180°. Then use screws (F) to fix the slide rail (CL) on the right side of panel ④. The installation position is as shown in the figure below.



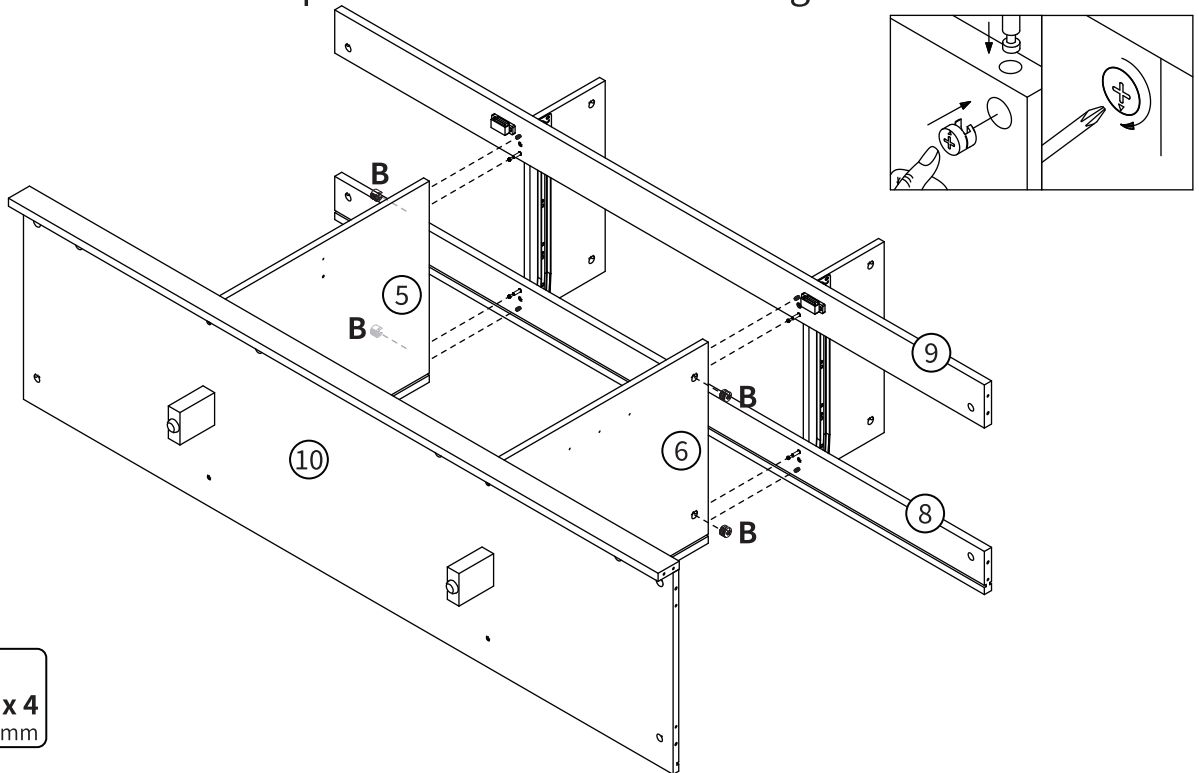
**Step 10** First insert the long wooden dowel (Q) into panel ④. Then use screws (D) to connect panels ④, ⑧, ⑨. The installation position is as shown in the figure below.



**Step 11** First, connect panel ⑤, ⑥ to panel ⑧, ⑨.

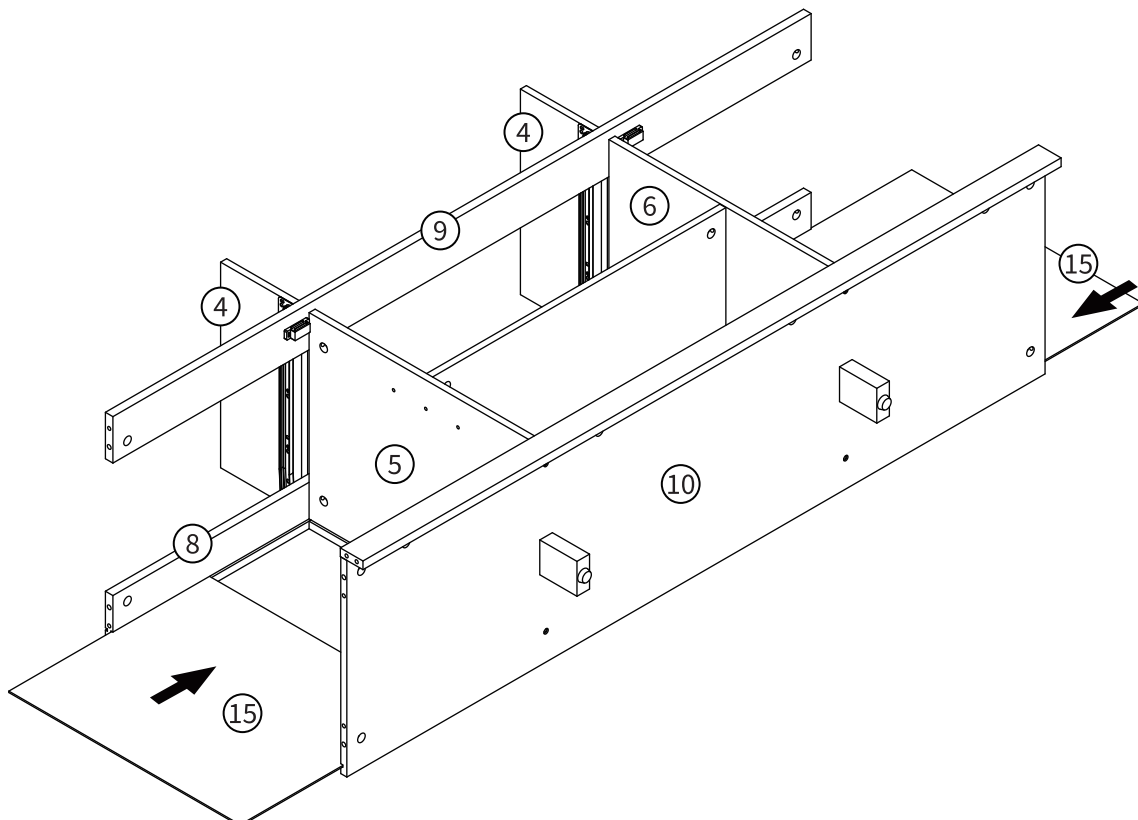
Then place the eccentric wheel (B) in the reserved holes of panel ⑤ and ⑥, and lock it clockwise with a screwdriver.

The installation position is as shown in the figure below.

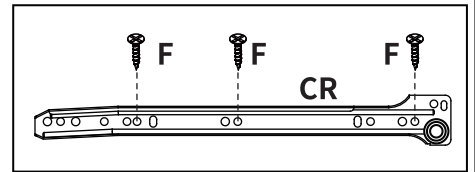
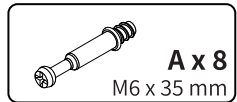
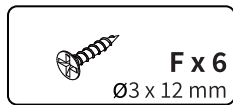
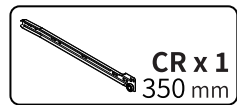
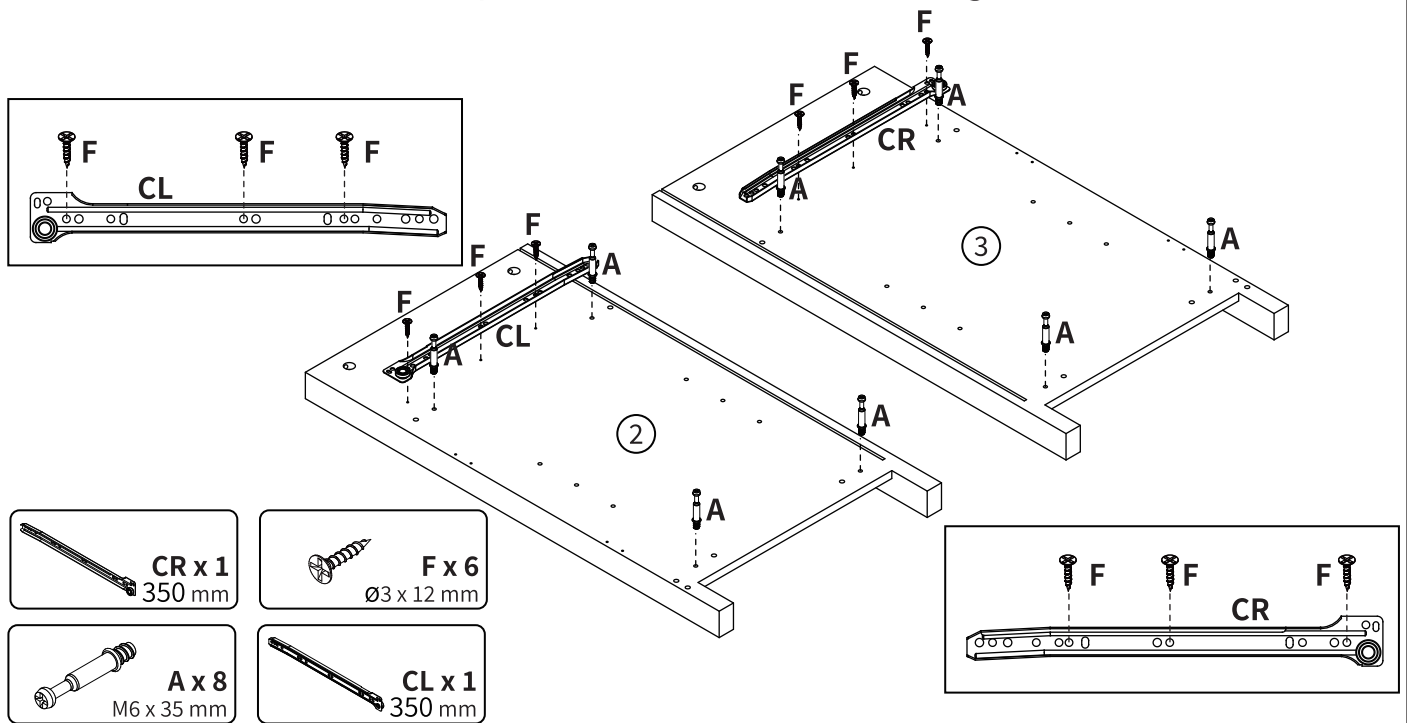


**Step 12** Insert 2 panels ⑮ into the card slots of panel ⑧ and panel ⑩.

The installation position is as shown in the figure below.



**Step 13** First, lock the screw (A) on panel ② and panel ③.  
 Then use screws (F) to fix the slide rail (CL) on panel ②.  
 Use screws (F) to fix the slide rail (CR) on panel ③.  
 The installation position is as shown in the figure below.

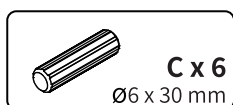
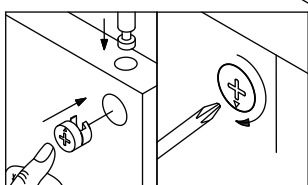
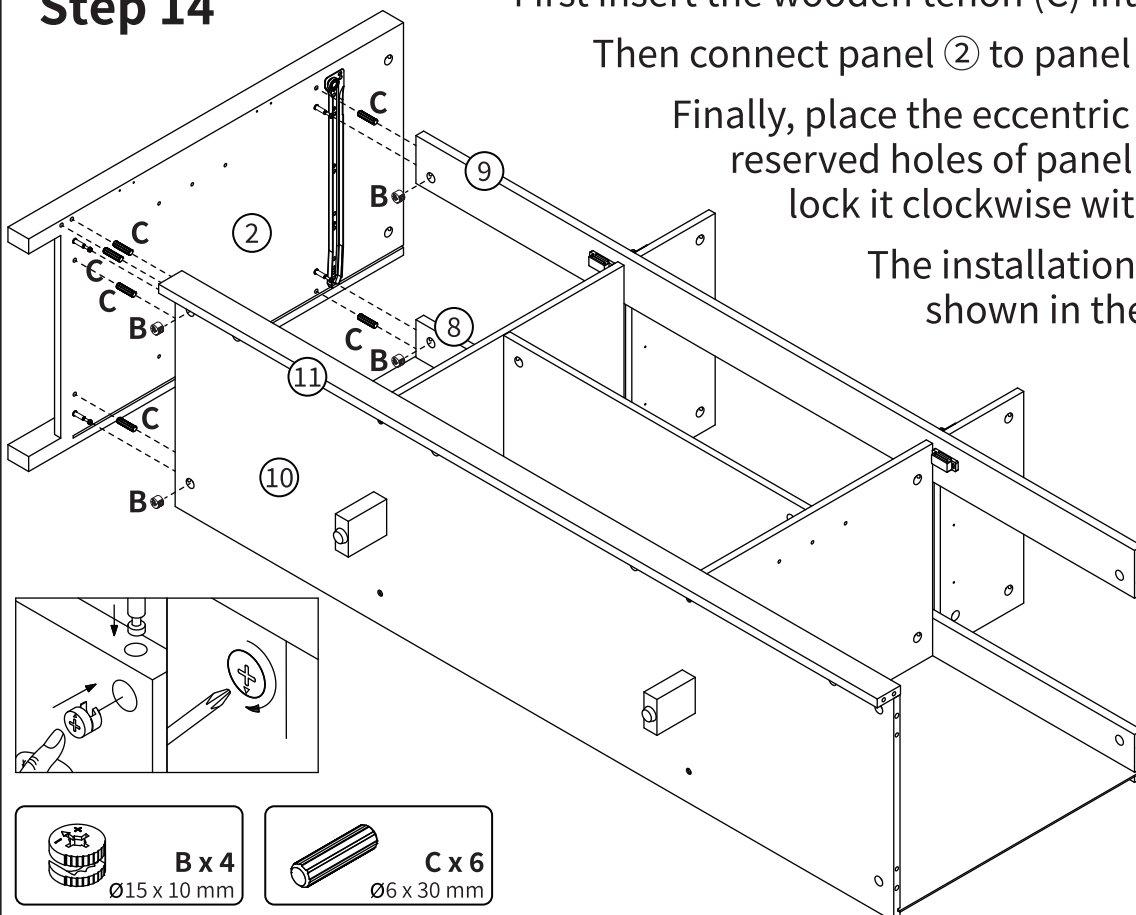


**Step 14**

First insert the wooden tenon (C) into panel ②.  
 Then connect panel ② to panel ⑧, ⑨, ⑩, ⑪.

Finally, place the eccentric wheel (B) in the reserved holes of panel ⑧, ⑨, ⑩, ⑪, and lock it clockwise with a screwdriver.

The installation position is as shown in the figure below.

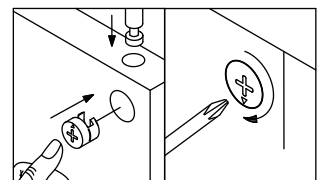
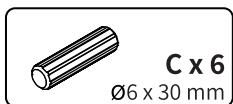
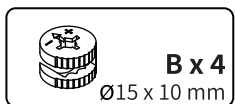
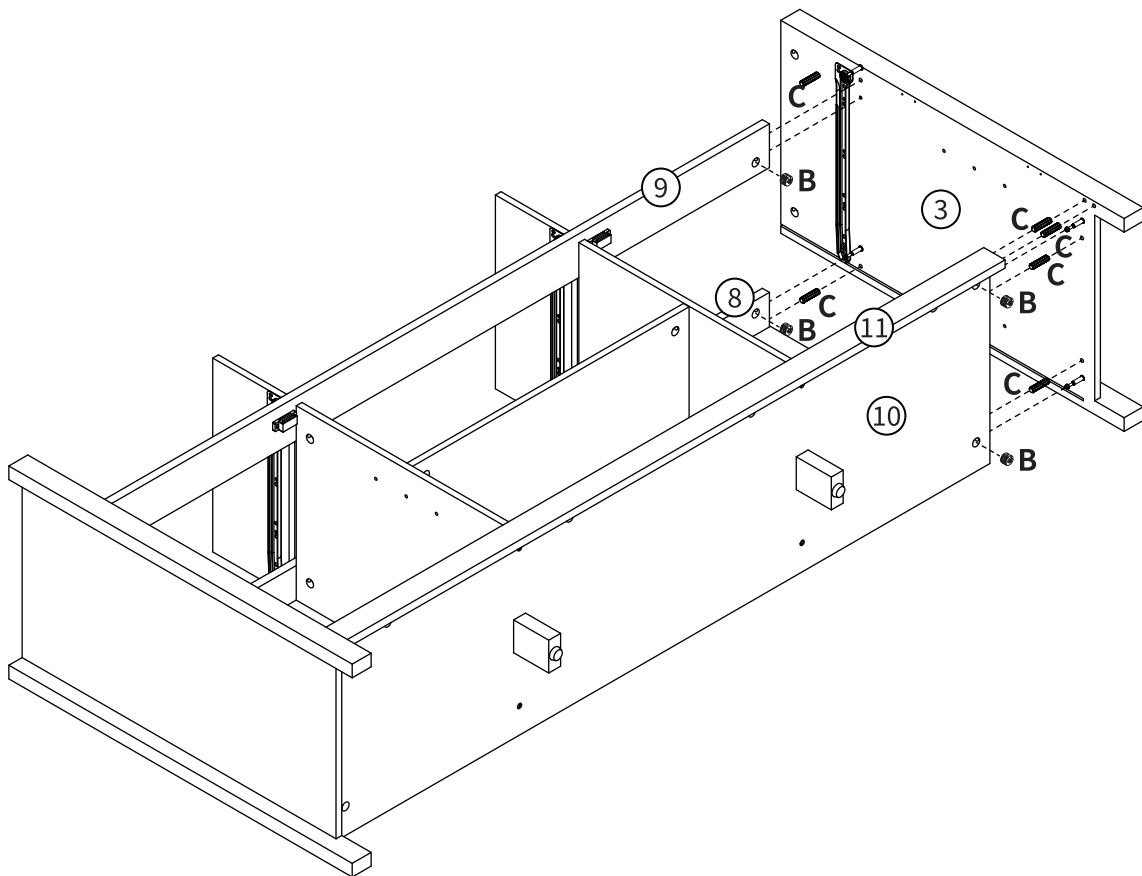


**Step 15** First insert the wooden tenon (C) into panel ③.

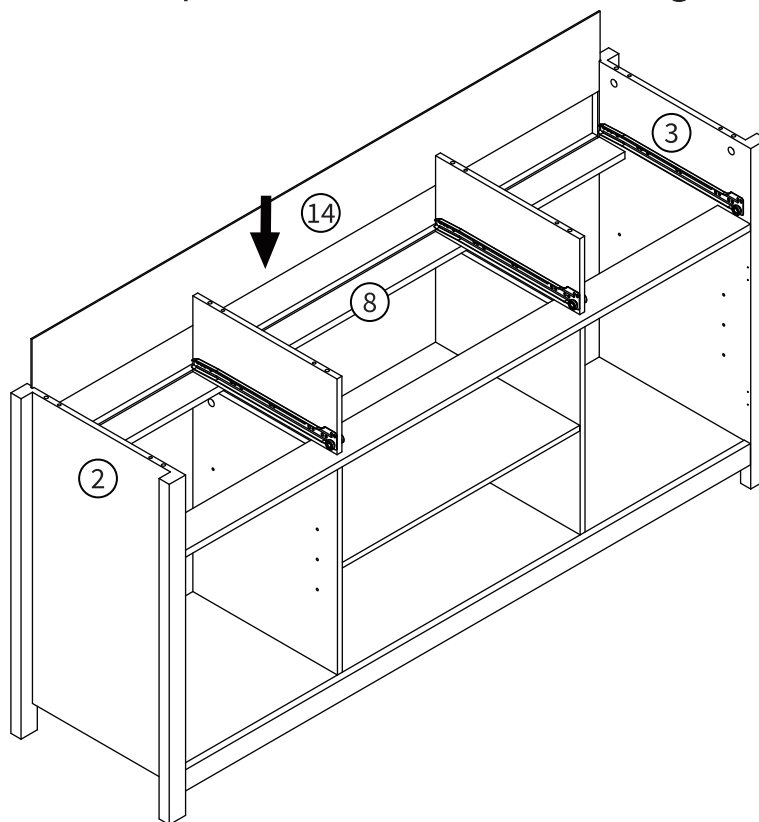
Then connect panel ③ to panels ⑧, ⑨, ⑩, ⑪.

Finally, place the eccentric wheel (B) in the reserved holes of panel ⑧, ⑨, ⑩, ⑪, and lock it clockwise with a screwdriver.

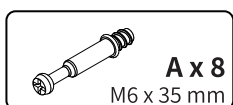
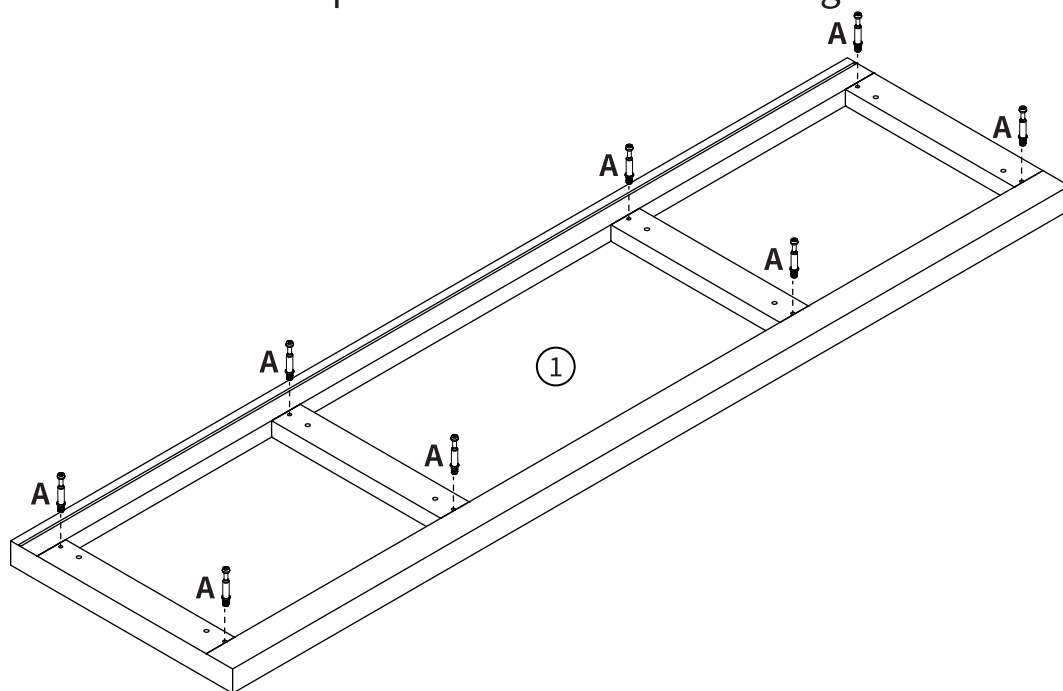
The installation position is as shown in the figure below.



**Step 16** Insert panel ⑭ into the card slots of panel ②, ③, ⑧.  
The installation position is as shown in the figure below.



**Step 17** Lock the screw (A) on panel ①  
The installation position is as shown in the figure below.

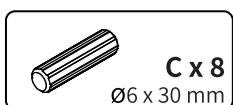
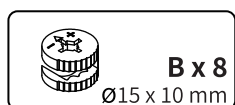
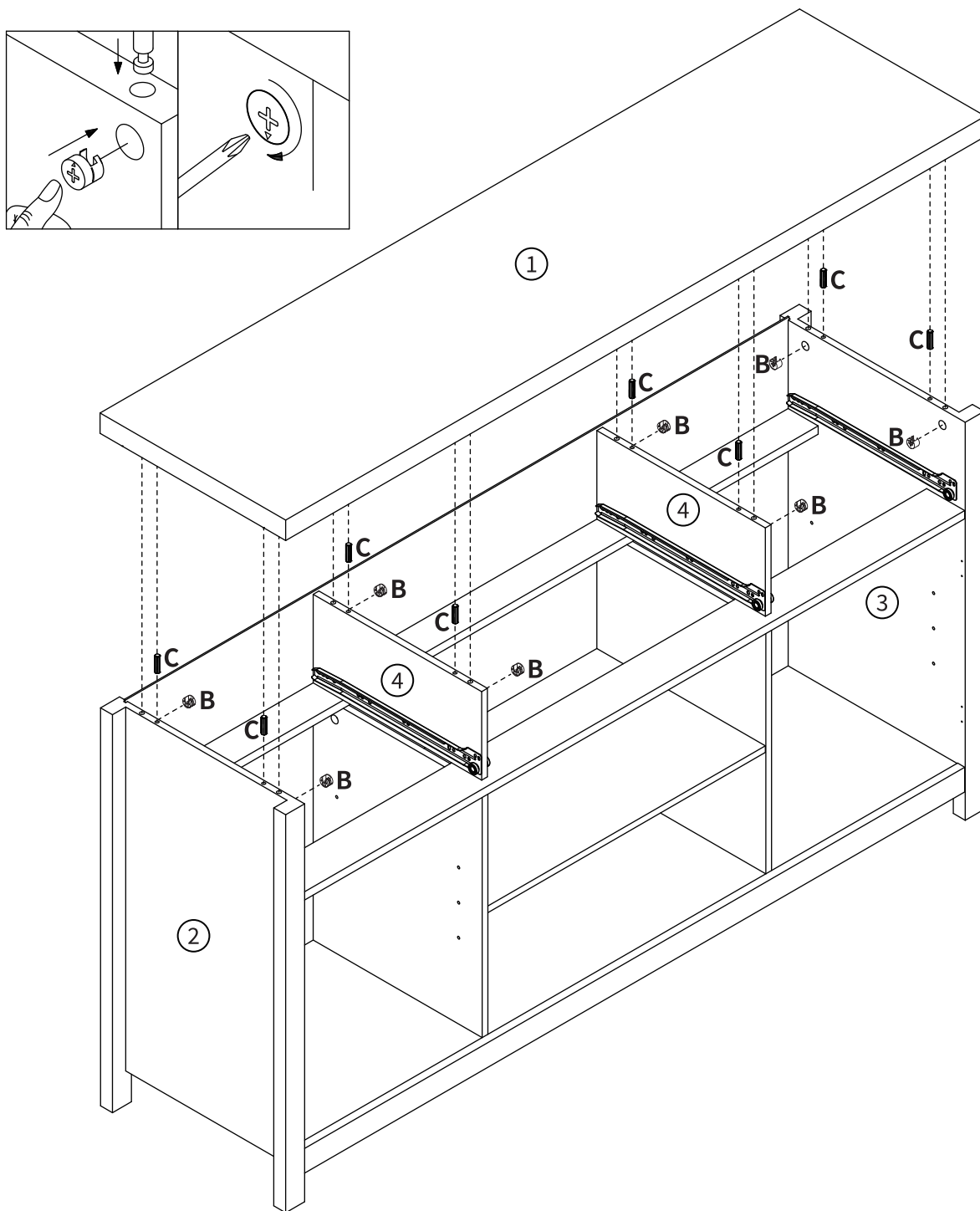


**Step 18** First, insert the wooden dowel (C) into panel ②, ③, ④.

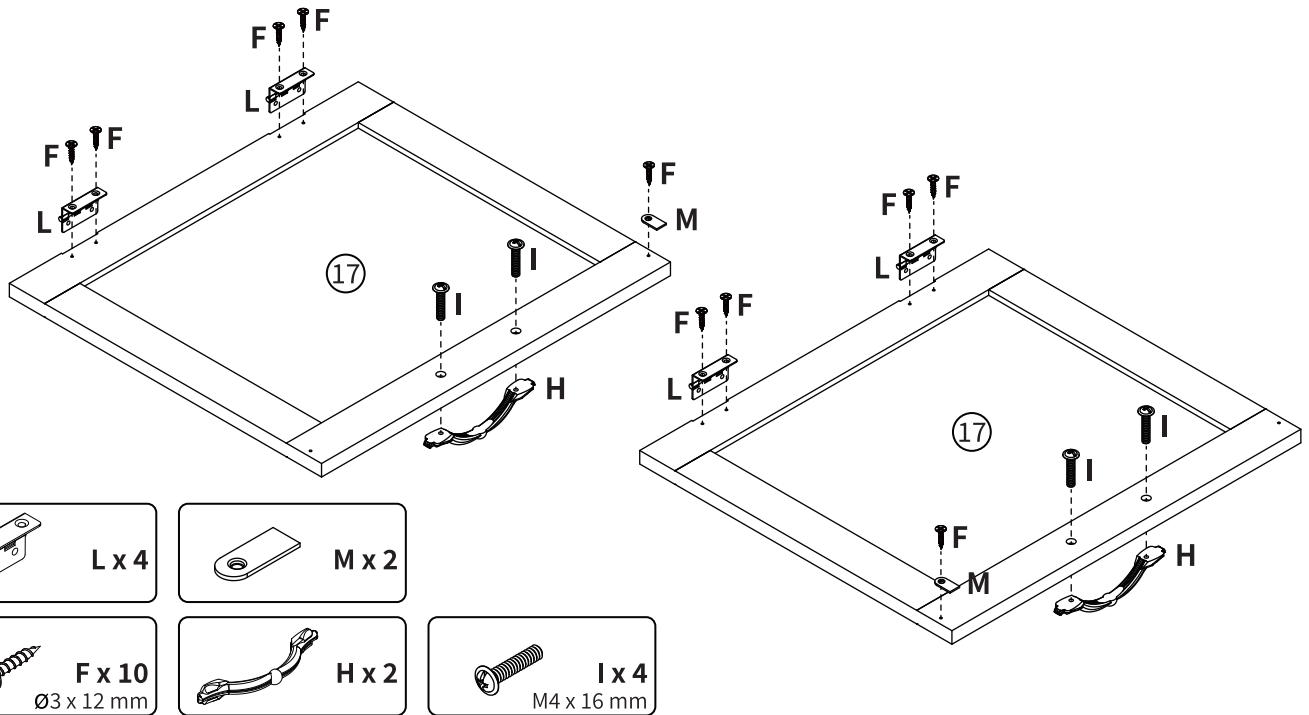
Then connect panel ① to panel ②, ③, ④.

Finally, place the eccentric wheel (B) in the reserved holes of panel ②, ③, ④, and lock it clockwise with a screwdriver.

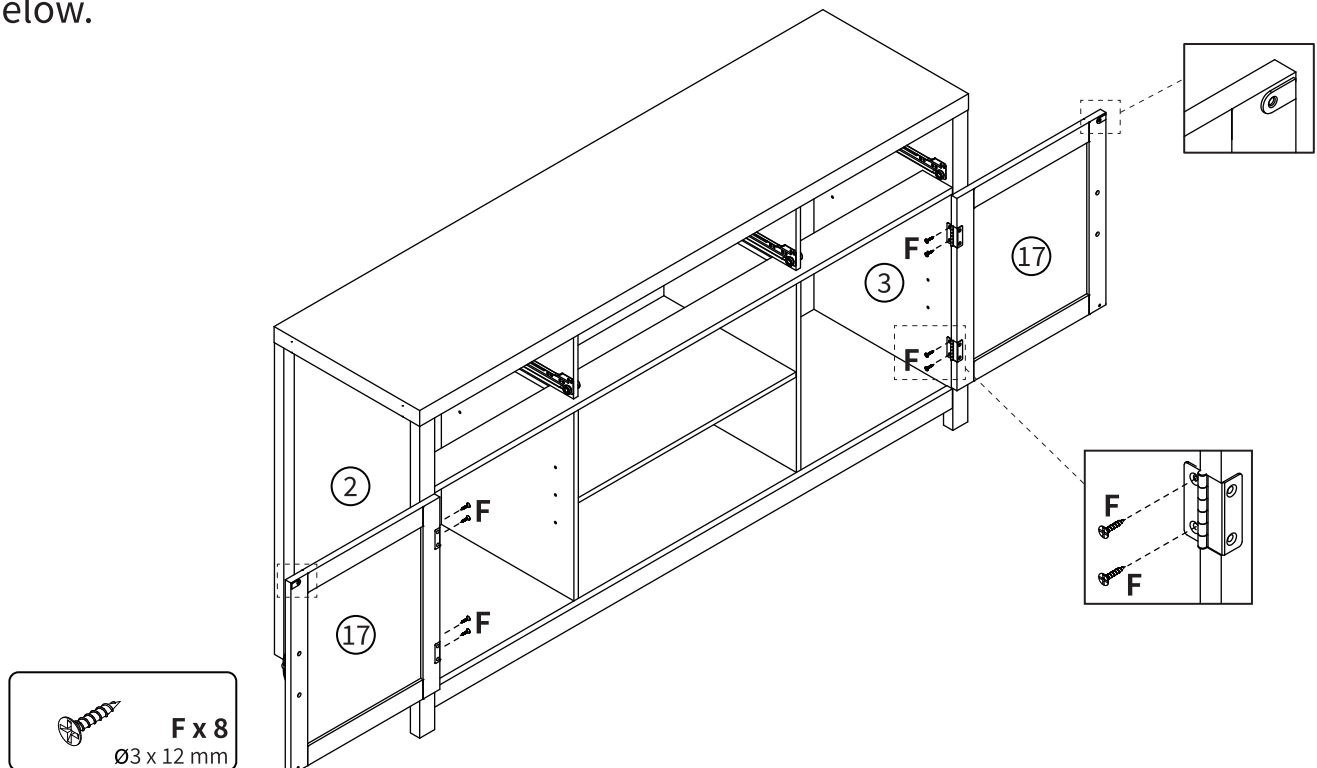
The installation position is as shown in the figure below.



**Step 19** First connect the handle (H) to the panel (17) with the screw (I). Then assemble the hinge (L) to panel (17) using screws (F). Finally, use screws (F) to lock the iron sheet (M) to panel (17). The installation position is as shown in the figure below.



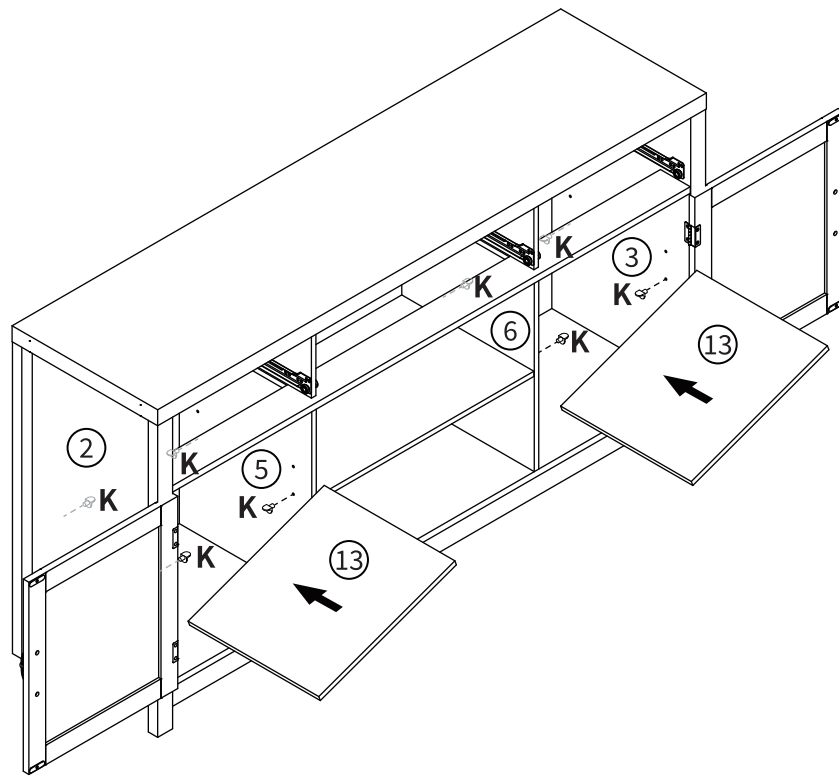
**Step 20** Assemble panel (17) to panel (2) with screws (F). Assemble panel (17) to panel (3) with screws (F). When installing, pay attention to the iron piece of panel (17). The installation position is as shown in the figure below.



## Step 21

First insert the pin (K) into the hole corresponding to the required height, and then insert it into the panel ⑬ at an angle.

The installation position is as shown in the figure below.

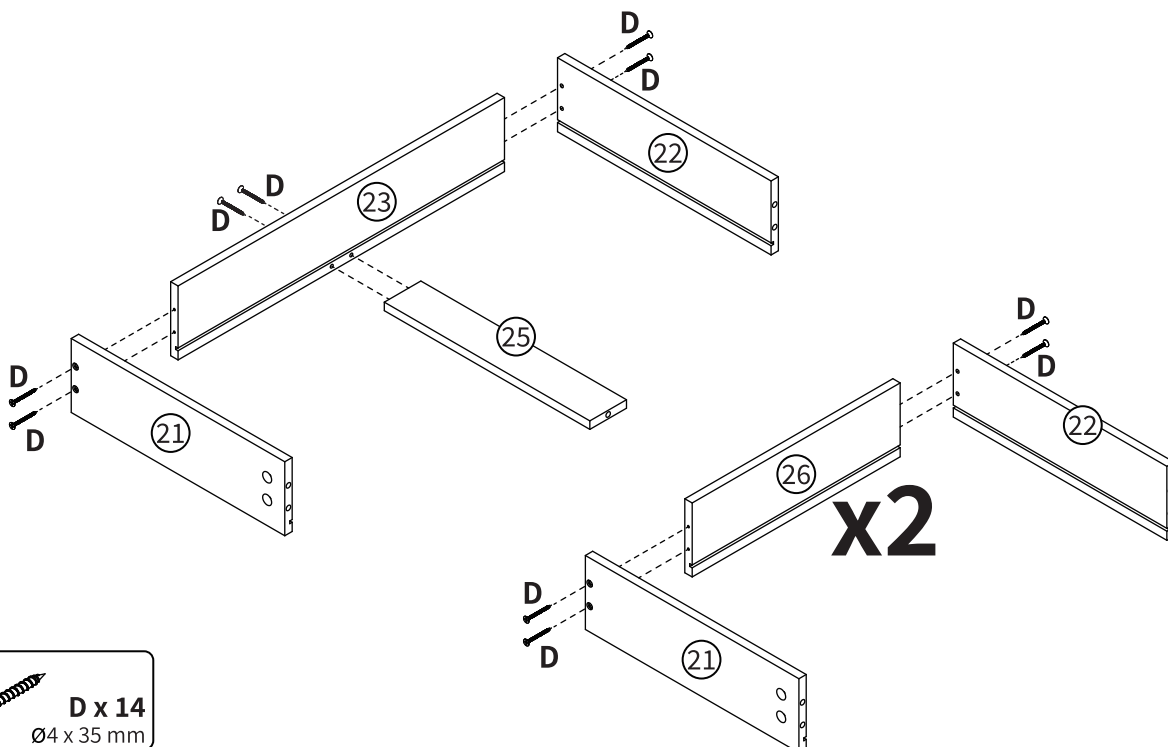


## Step 22

First use screws (D) to assemble a set of panels ⑳㉑㉒㉓㉔.

Then use screws (D) to assemble the two sets of panels ㉑㉒㉔.

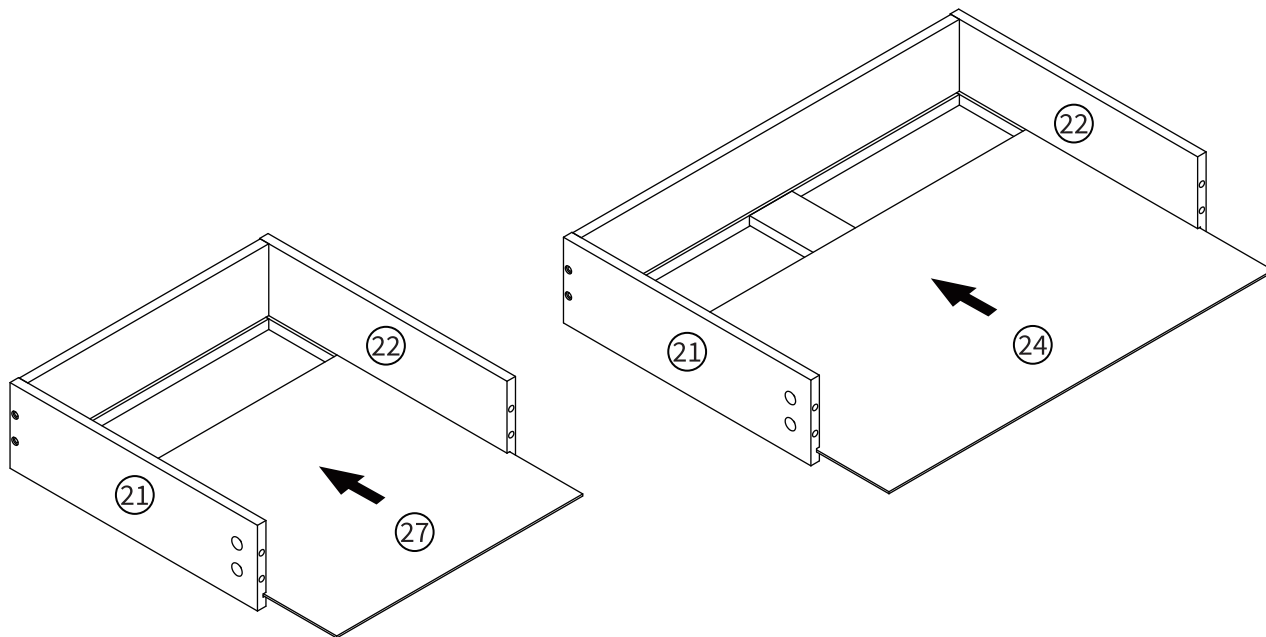
The installation position is as shown in the figure below.



**Step 23** First insert panel ②④ into the card slots of panel ②① and ②② in the large drawer, and assemble a set

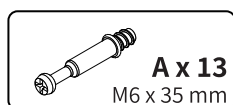
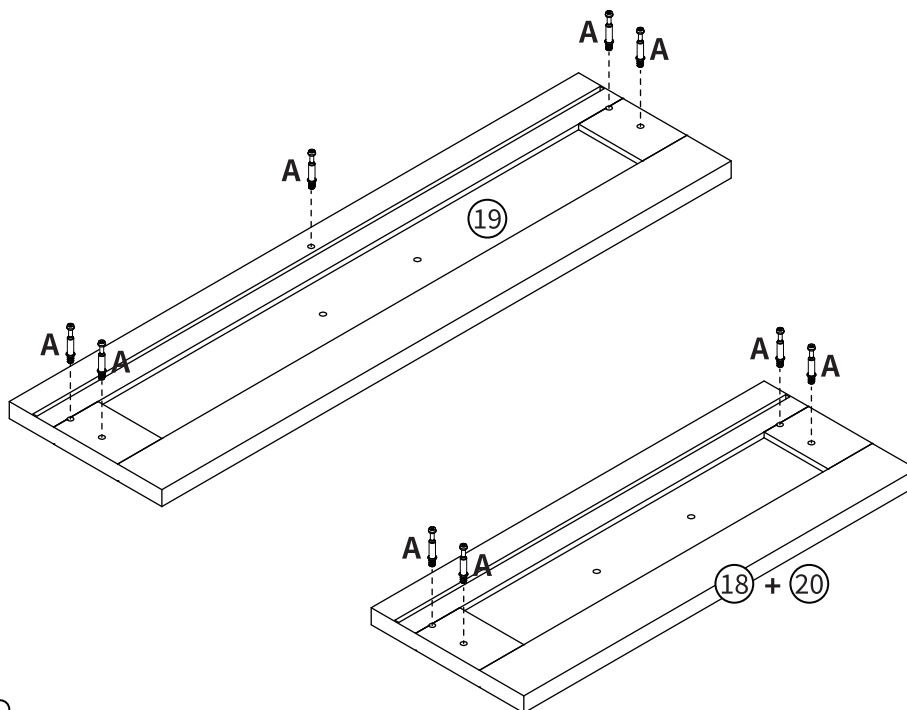
Then insert panel ②⑦ into the card slots of panel ②① and ②② in the small drawer, and assemble two sets.

The installation position is as shown in the figure below.



**Step 24** Lock the screws (A) on panel ①⑧, ①⑨, ①⑩.

The installation position is as shown in the figure below.

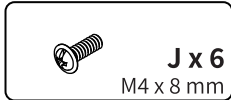
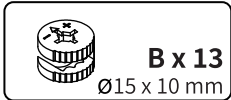
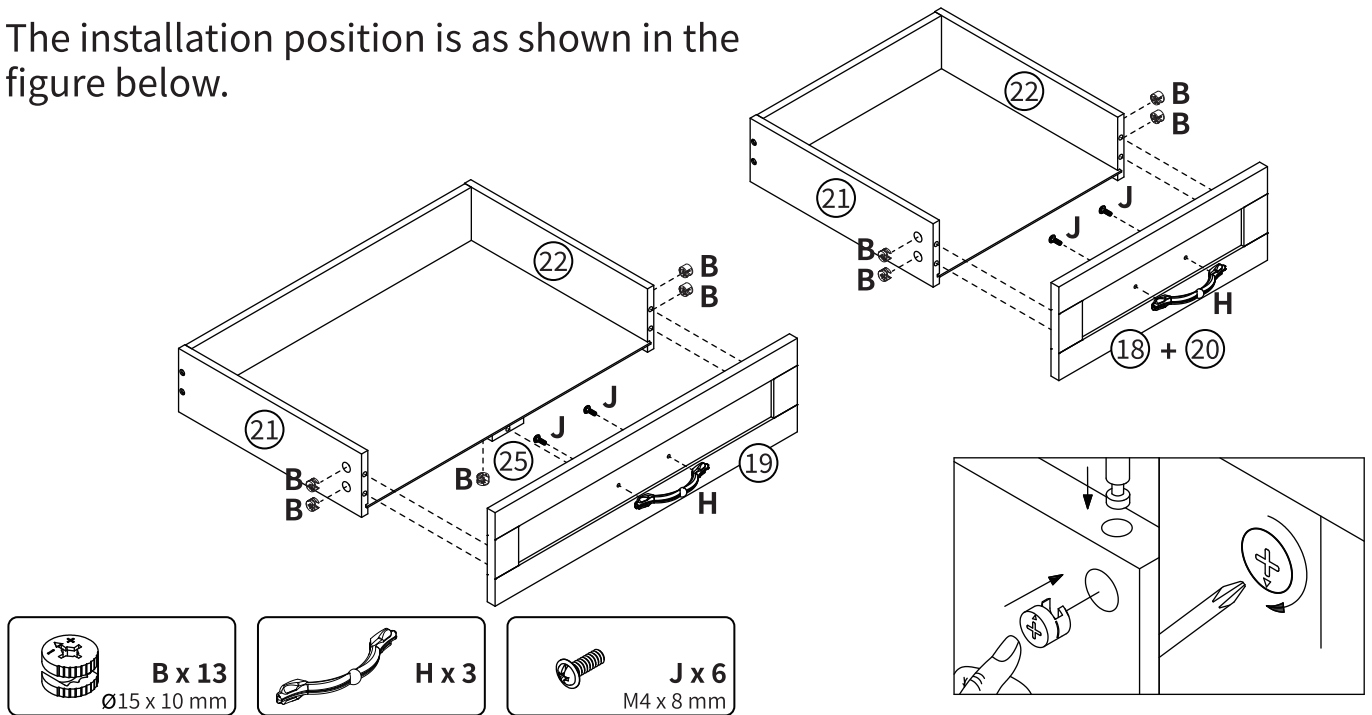


**Step 25** First install the handle (H) on panel ⑱, ⑲, ⑳ with screws (J).

Then connect panel ⑱, ㉔ to panel ㉑, ㉒ connect panel ⑲ to panel ㉑, ㉒, ㉓

Then install the eccentric wheel (B) in the reserved holes of panel and , and lock it clockwise with a screwdriver.

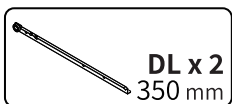
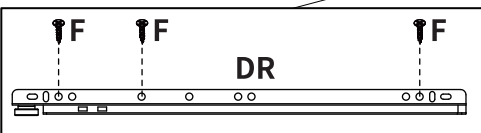
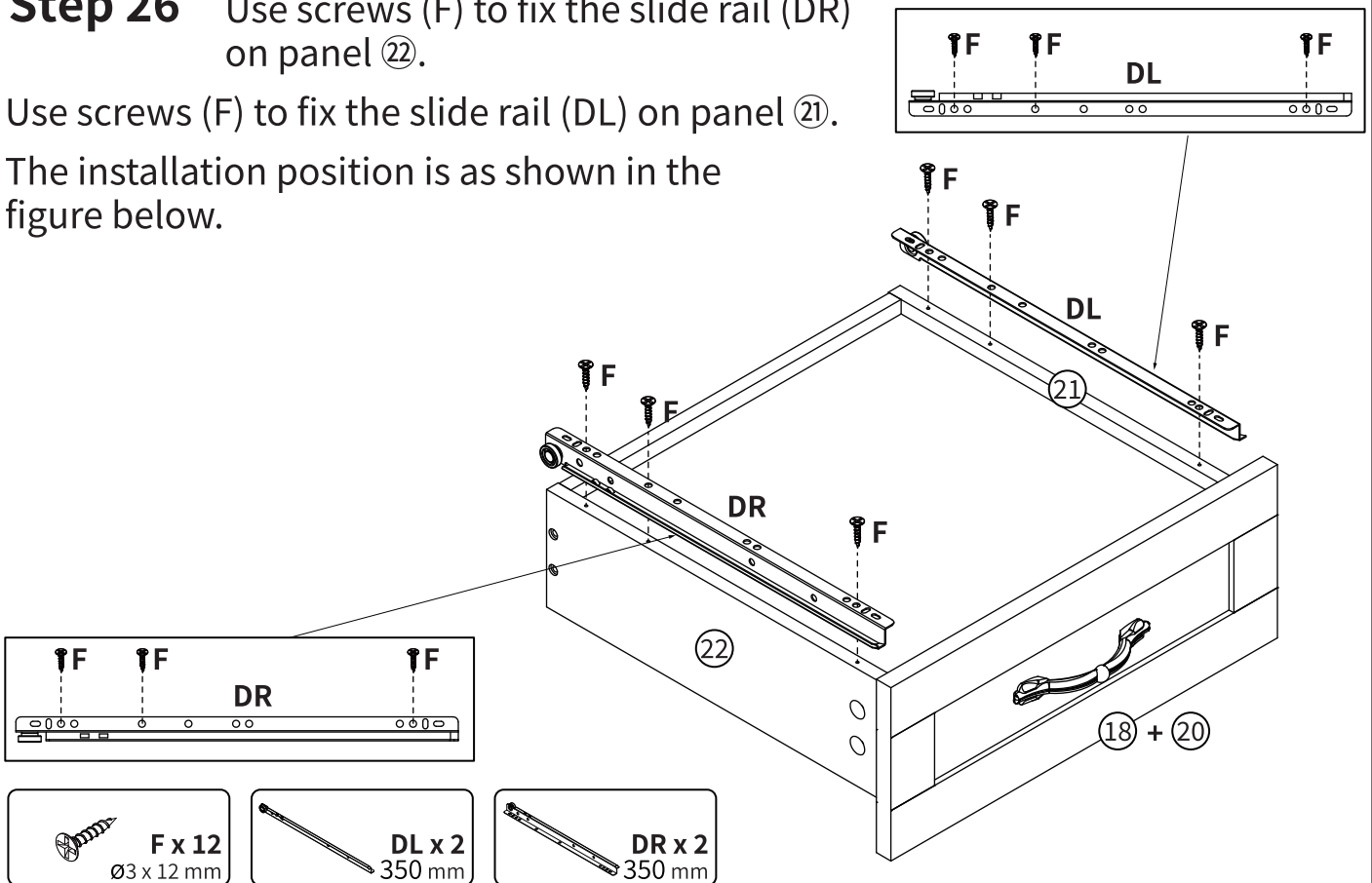
The installation position is as shown in the figure below.



**Step 26** Use screws (F) to fix the slide rail (DR) on panel ㉒.

Use screws (F) to fix the slide rail (DL) on panel ㉑.

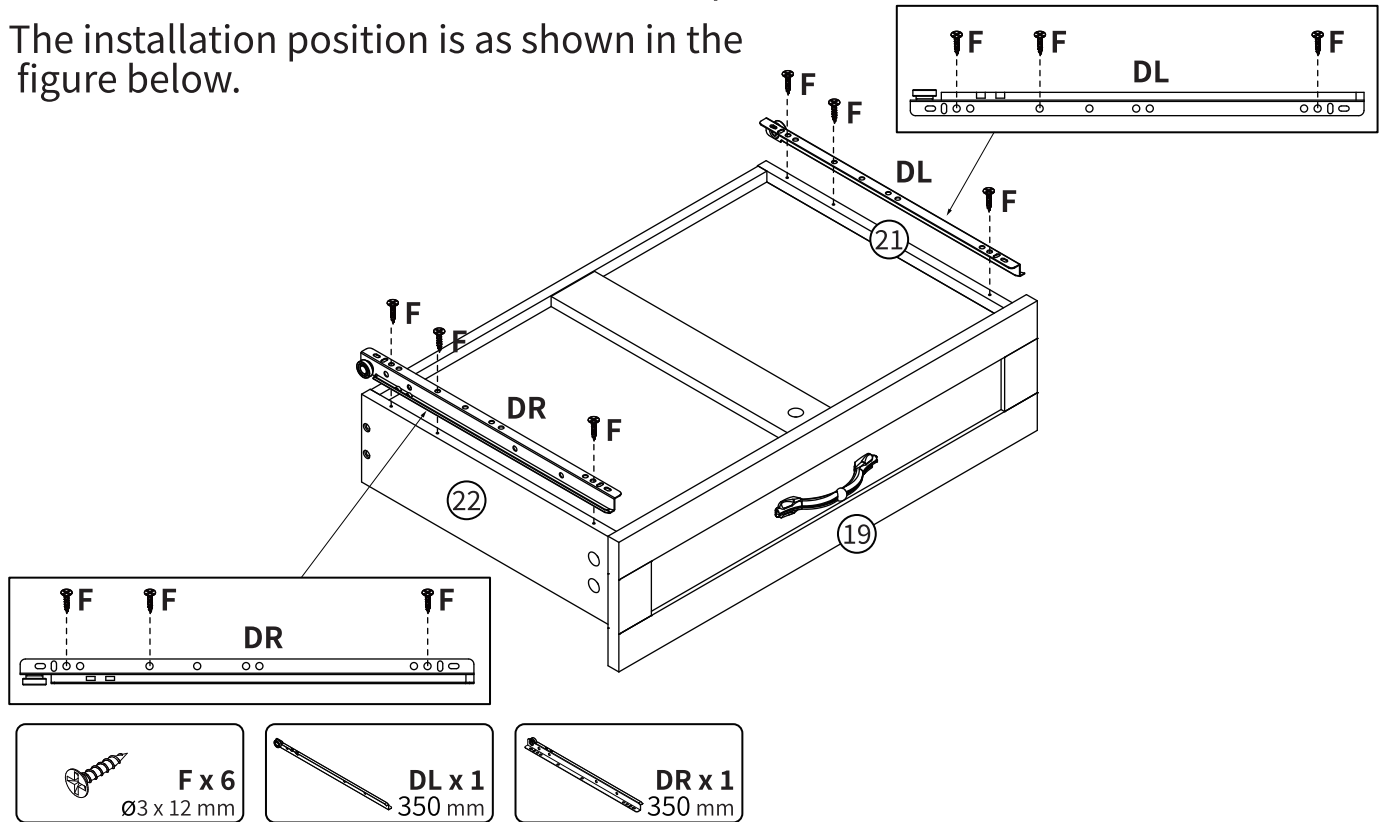
The installation position is as shown in the figure below.



**Step 27** Use screws (F) to fix the slide rail (DR) on panel ②②.

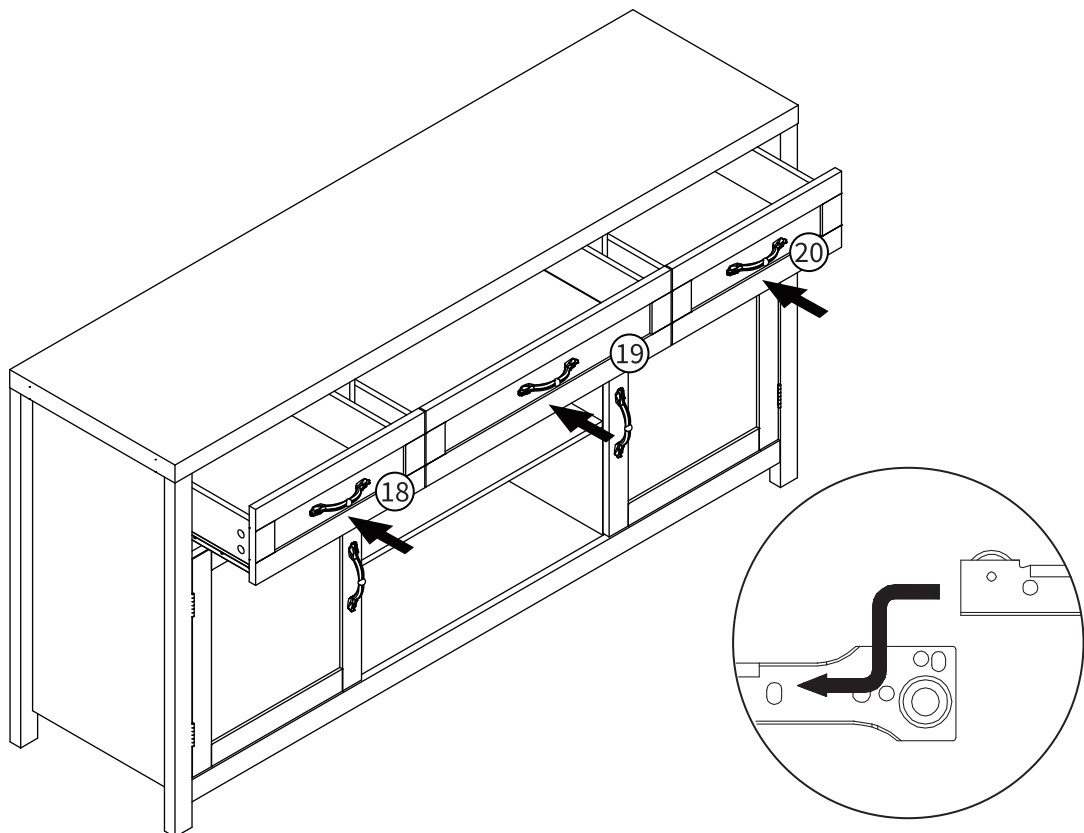
Use screws (F) to fix the slide rail (DL) on panel ②①.

The installation position is as shown in the figure below.



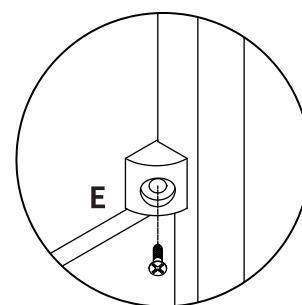
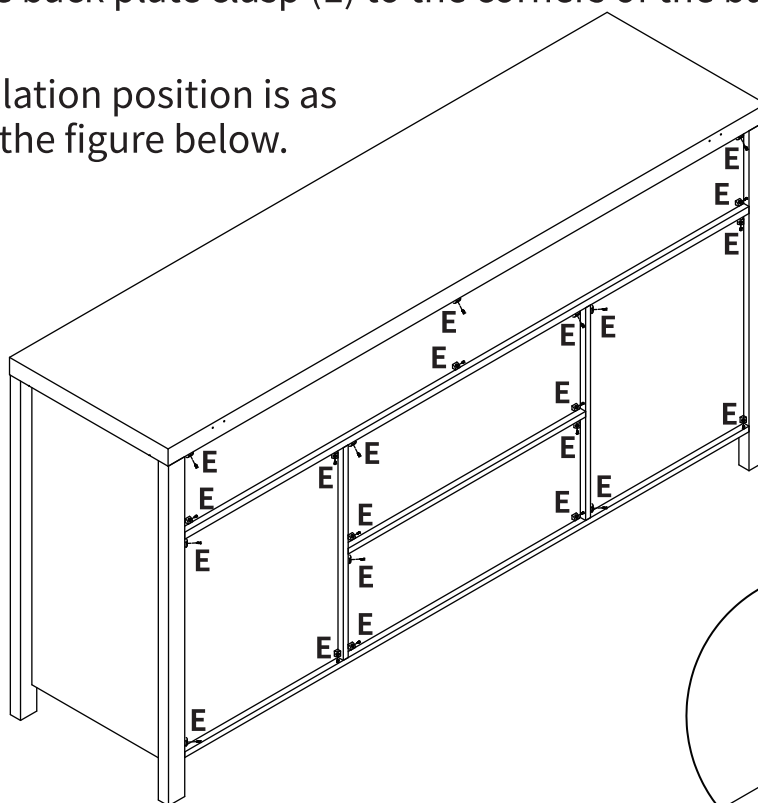
**Step 28** Install the drawer in the specified position.

The installation position is as shown in the figure below.



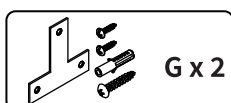
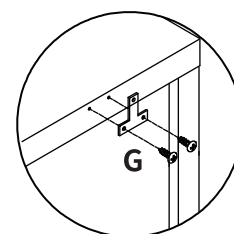
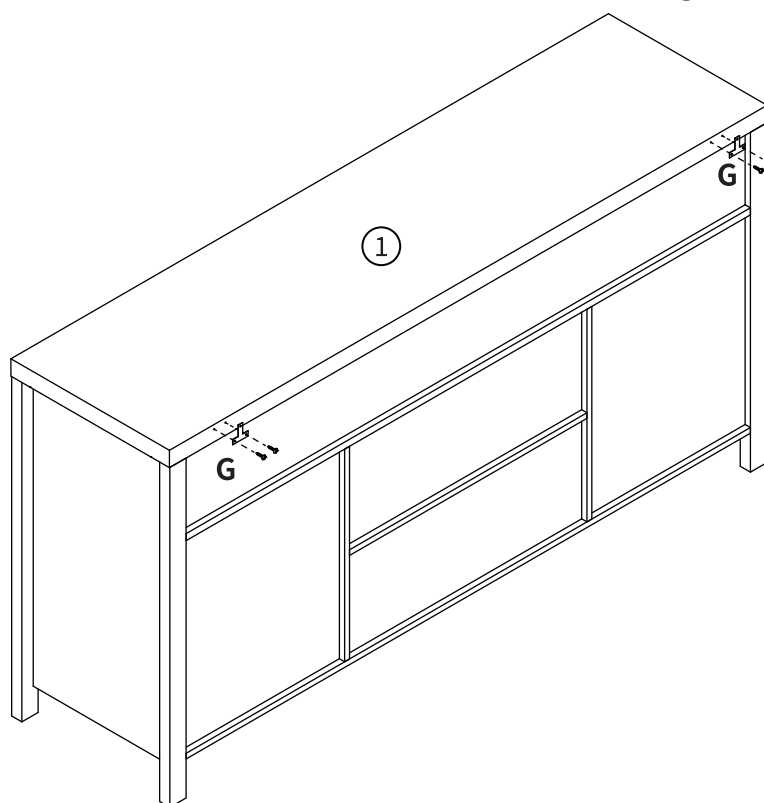
**Step 29** Fasten the back plate clasp (E) to the corners of the back plate using screws.

The installation position is as shown in the figure below.



**Step 30** Use the small screws in the hardware package (G) to secure the iron sheet to the panel ①

The installation position is as shown in the figure below.



**Step 31** Hammer the expansion screw in the hardware (G) into the wall, and then lock the expansion screw with a long screw through the T-shaped iron plate.

The installation position is as shown in the figure below.

