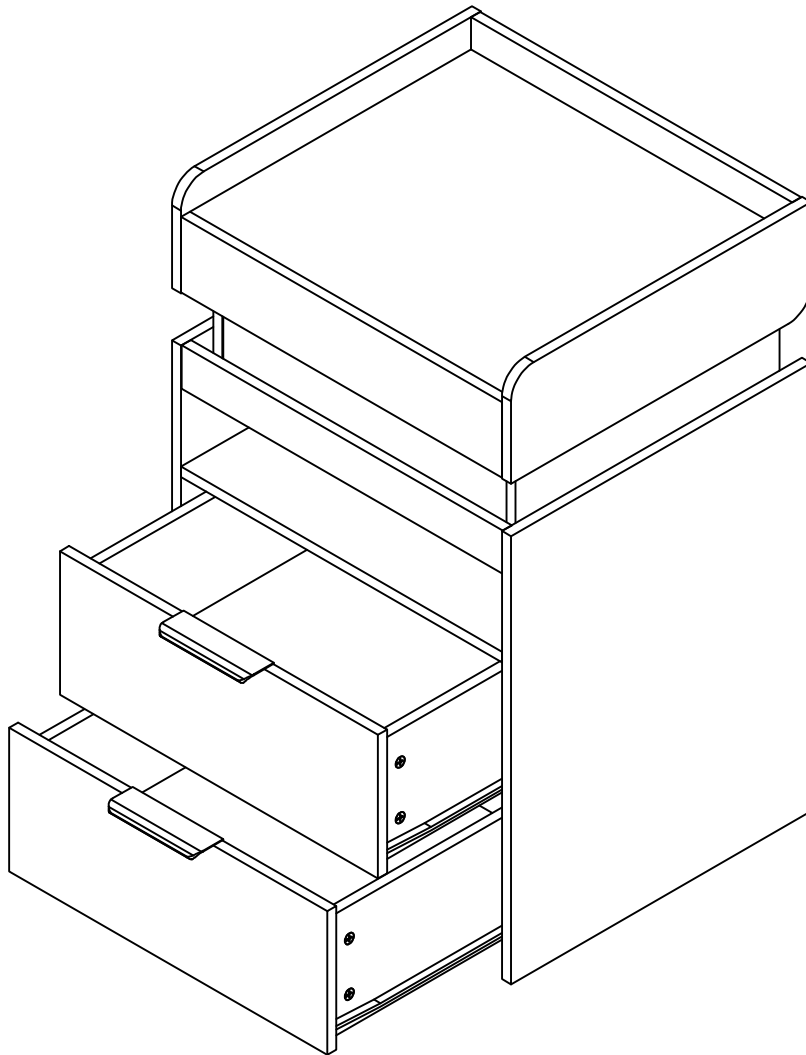


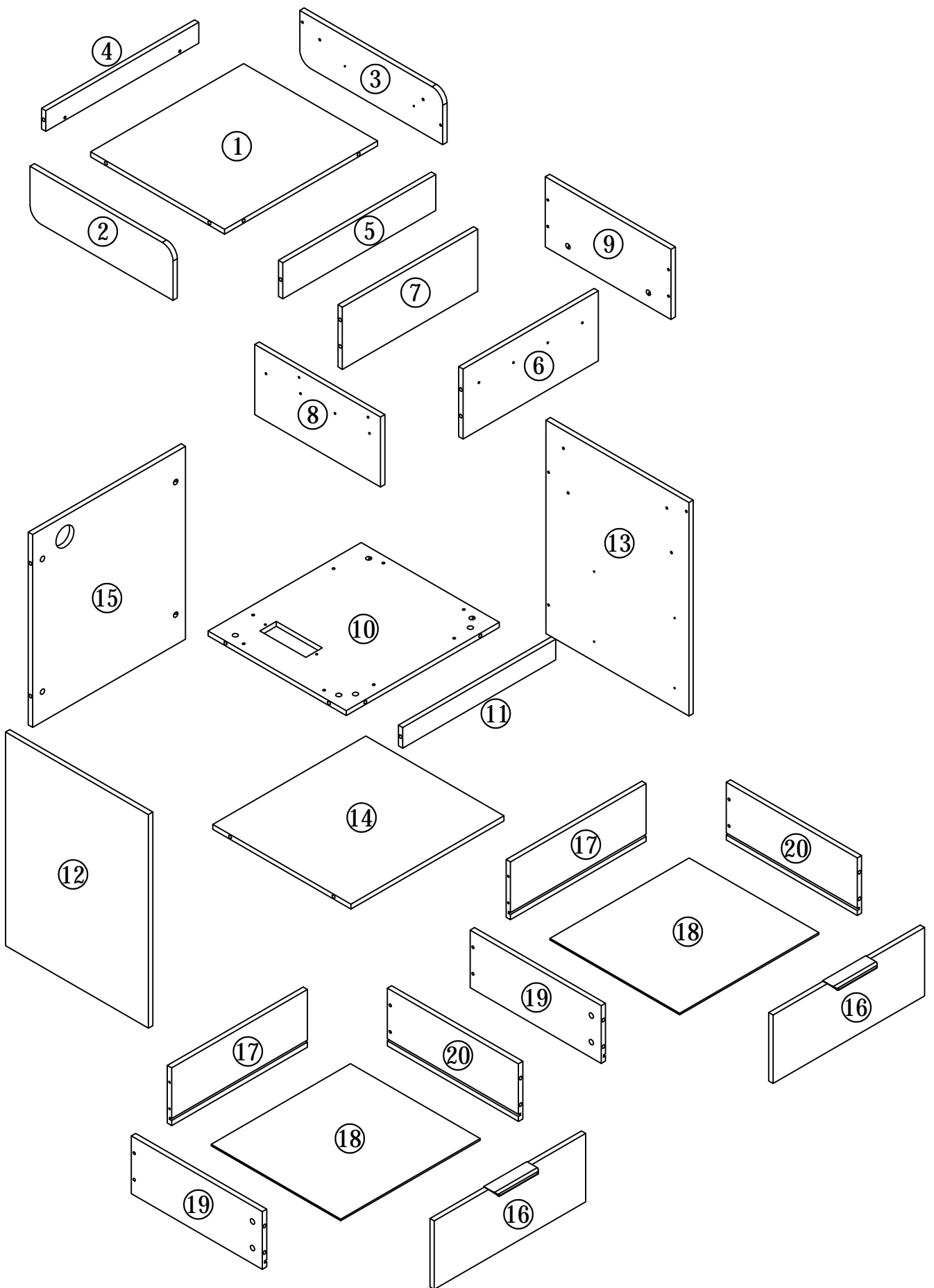
# ASSEMBLY INSTRUCTION



Assembly Video

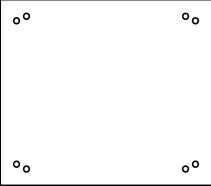


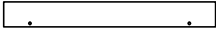





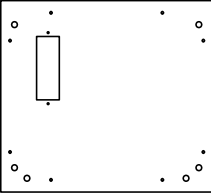


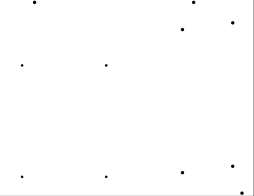

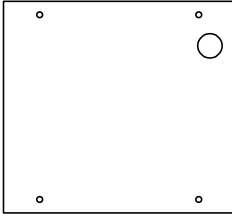





Tips: Before watching the assembly video, please review page 5 for installation precautions (A & B) and the guide rail (M) separation instructions.

# PART LIST



# PART LIST


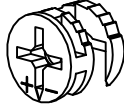
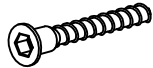



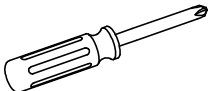


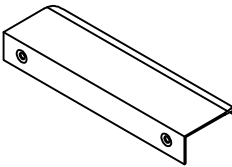
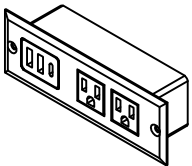
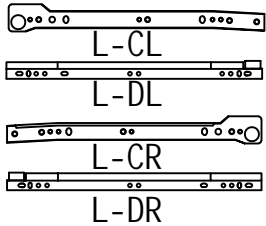
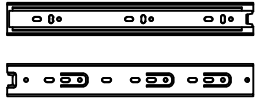
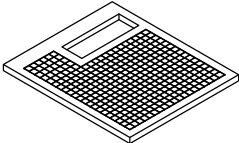
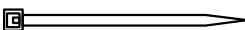
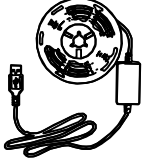
Tips: Keep the numbered side of the board facing up for easy access.

① x1	② x1	③ x1	④ x1
			
⑤ x1	⑥ x1	⑦ x1	⑧ x1
			
⑨ x1	⑩ x1	⑪ x1	⑫ x1
			
⑬ x1	⑭ x1	⑮ x1	⑯ x2
			
⑰ x2	⑱ x2	⑲ x2	⑳ x2
			

We've created this installation video just for you, to make the process quicker and easier.

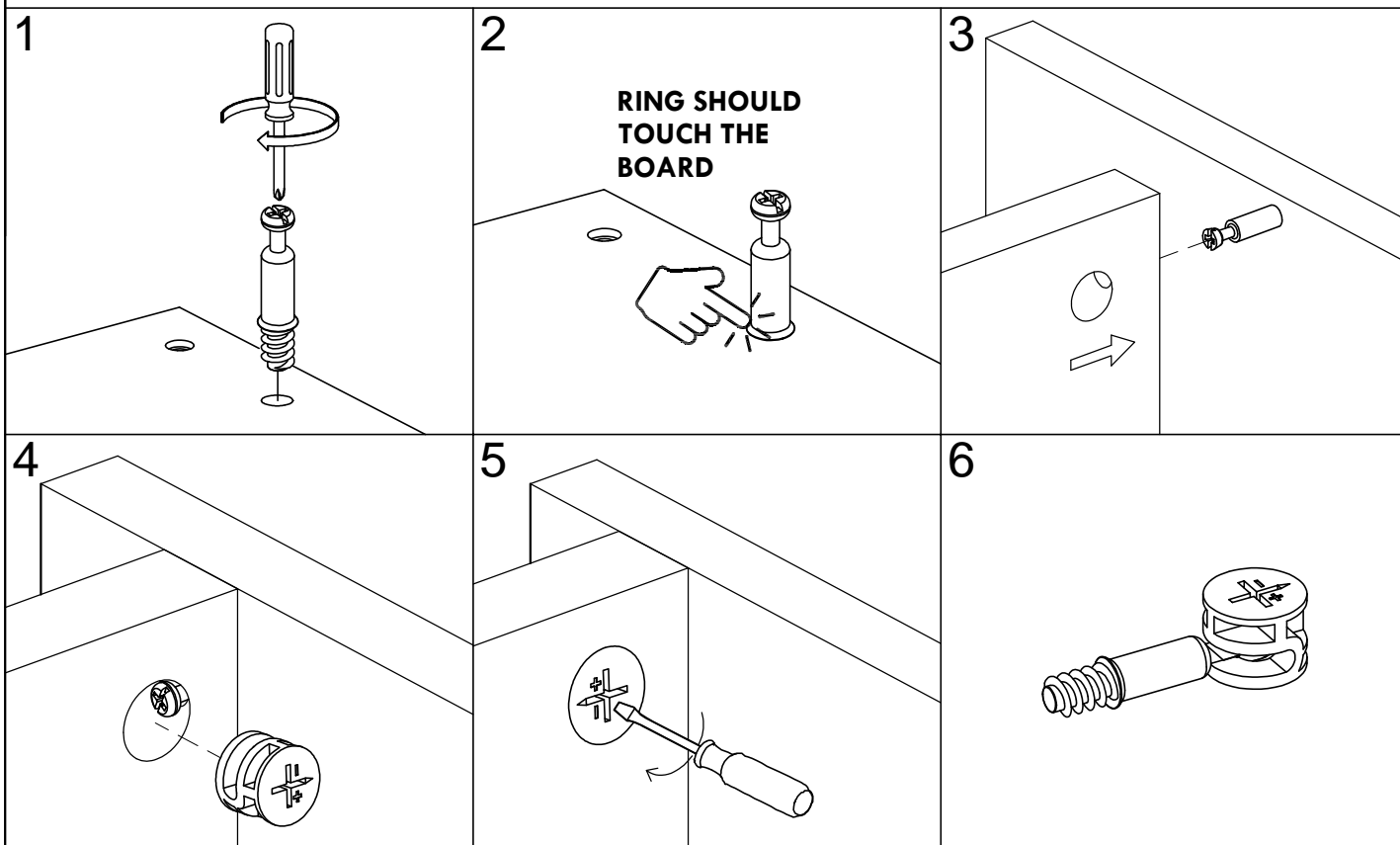
# HARDWARE LIST

Tips: Place accessories with numbers facing up for easy access.

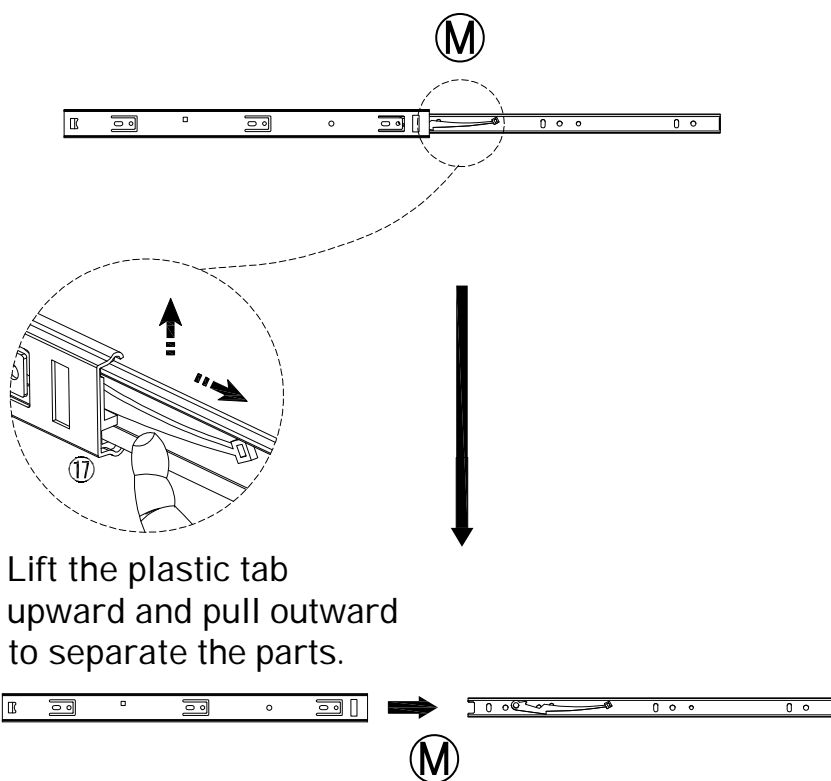
Number	Parts	Quantity	Number	Parts	Quantity
Ⓐ		52(+2)	Ⓑ		52(+2)
Ⓒ	 φ 5*40	8(+1)	Ⓓ	 φ 4*12	24
Ⓔ	 φ 3*12	24	Ⓕ		16
Ⓖ		1	Ⓗ		1
Ⓘ		1	Ⓙ		2
Ⓚ		1	Ⓛ		2
Ⓜ		1	Ⓝ		1
Ⓟ		1	Ⓠ		1
			The numbers in brackets are spare screws.		

# Installation precautions

Several installation steps require Part A to align/interlock with Part B. Below is the working principle diagram



Avoid getting water on the plate edges. If any liquid spills, wipe it dry immediately.

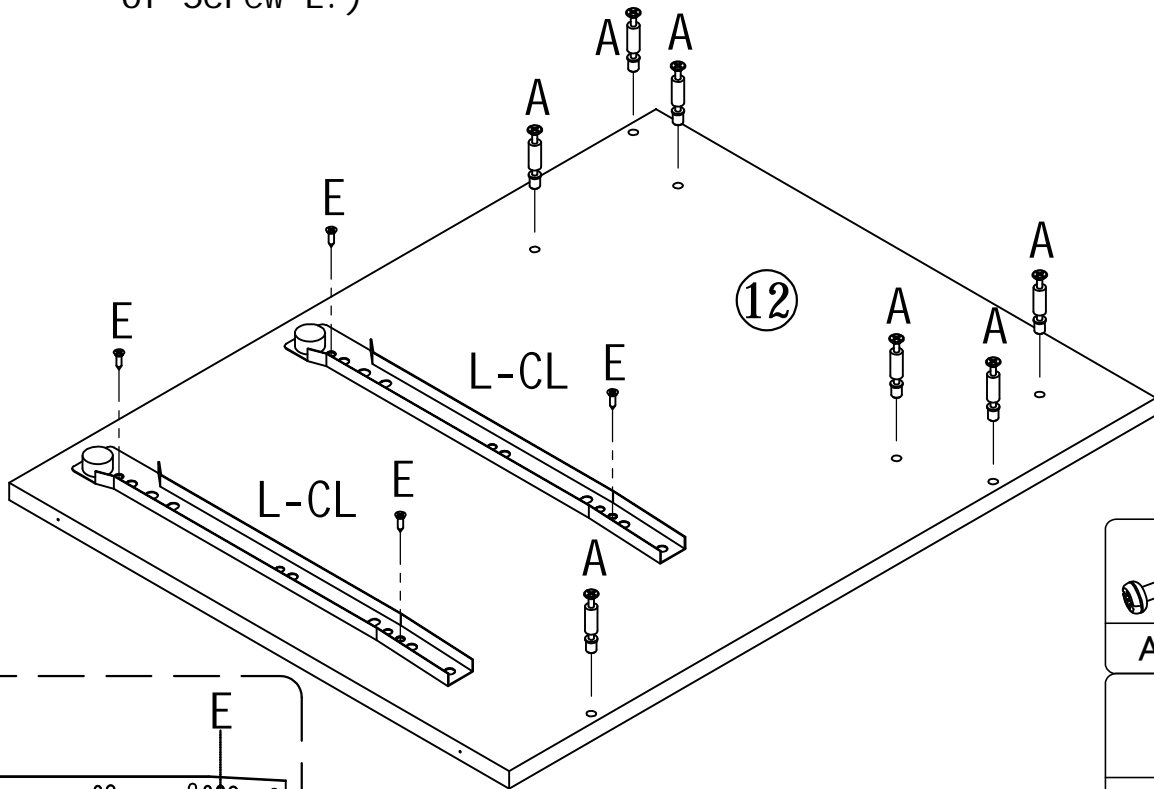
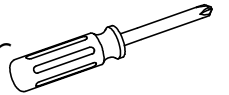




**Pre-Assembly Preparation**  
1. Divide the guide rail(M) into two parts before assembly.

Step 0: M separation  
Installation Instructions

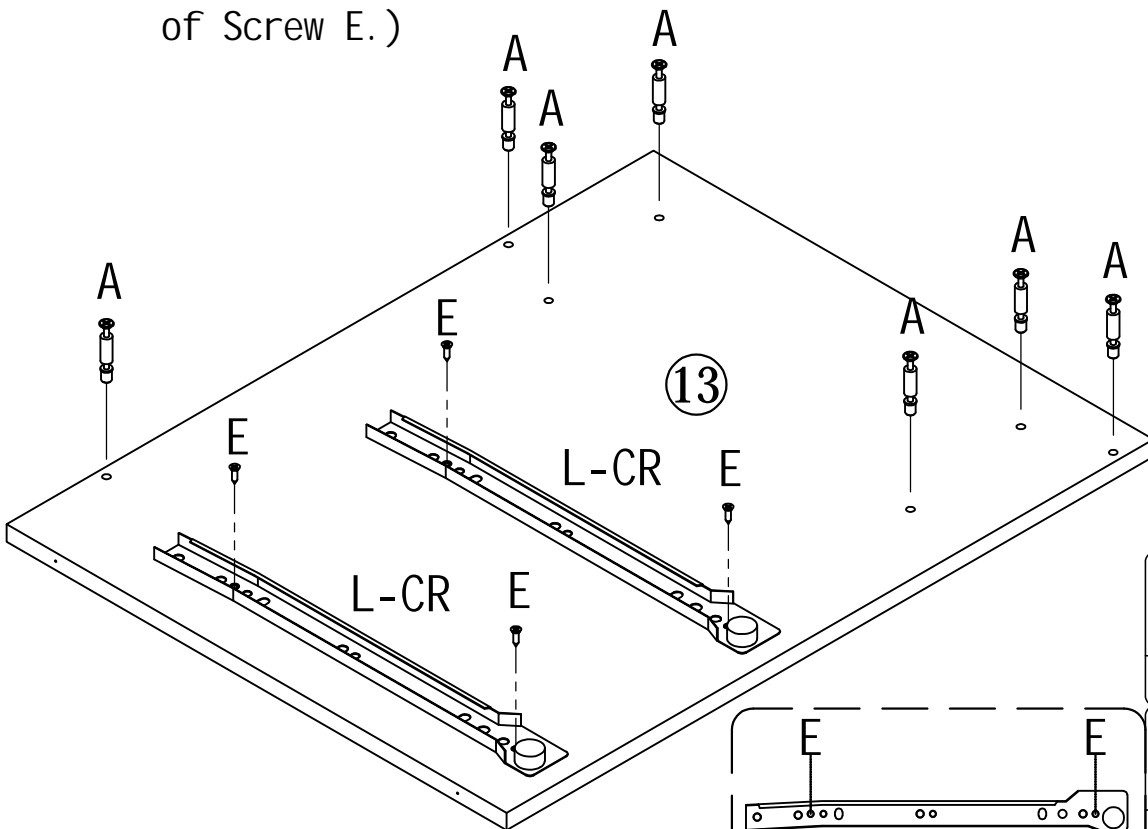
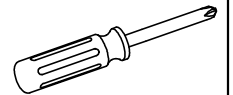
- ① Push the center bar away from the black rubber stopper at the end of the drawer slide.
- ② Locate the plastic release tab as shown in the illustration.
- ③ Push the tab upward, then pull the center bracket away from the main drawer slide assembly.

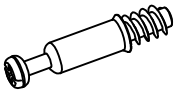

**STEP.1** Tighten A to Board 10 and then Secure L-CL to board number 12 with E. (Note the stamped number L-CL on the Rail and the installation position of Screw E.)



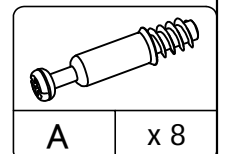
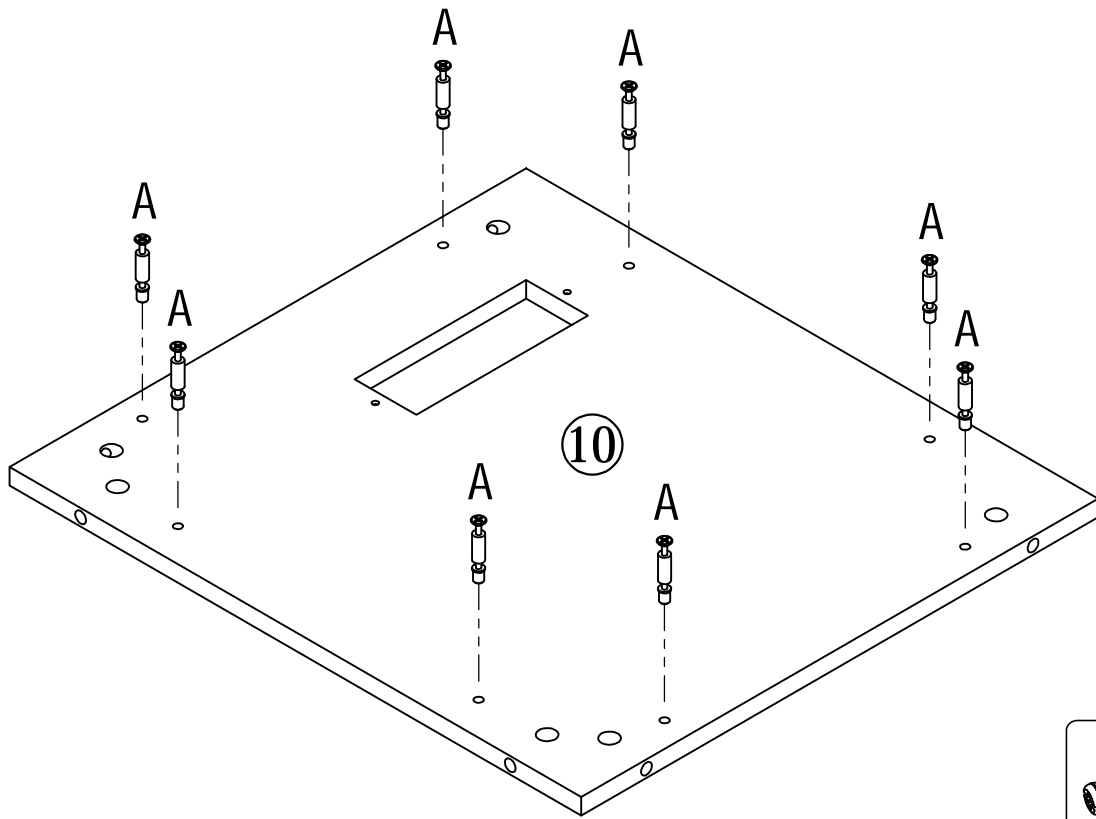
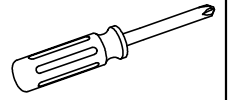
	A	x 7
	E	x 4

**STEP.2** Tighten A to Board 13 and then Secure L-CR to board number 13 with E. (Note the stamped number L-CR on the Rail and the installation position of Screw E.)

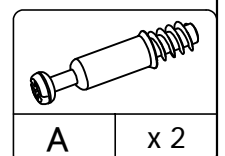
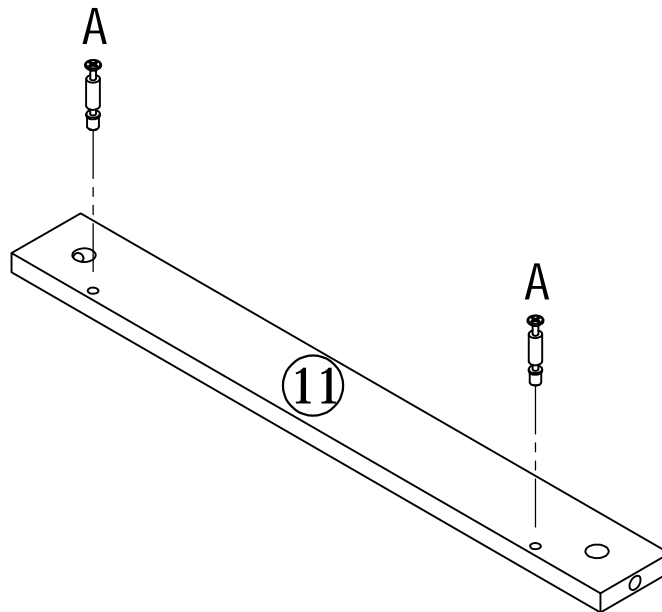
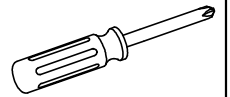


	A	x 7
	E	x 4

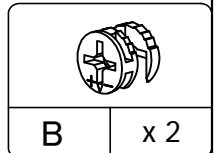
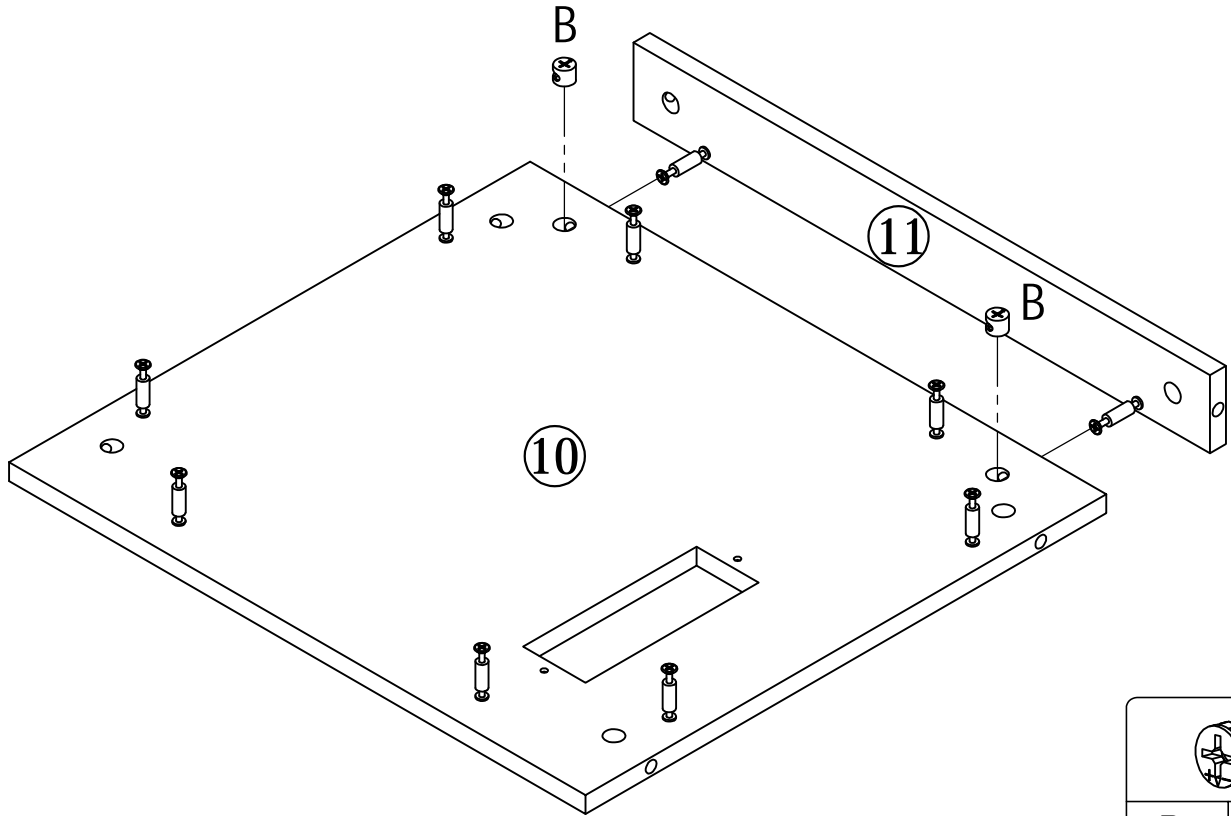
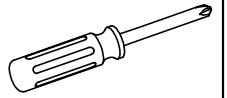
### STEP.3 Tighten A to Board 10



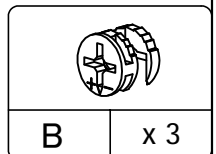
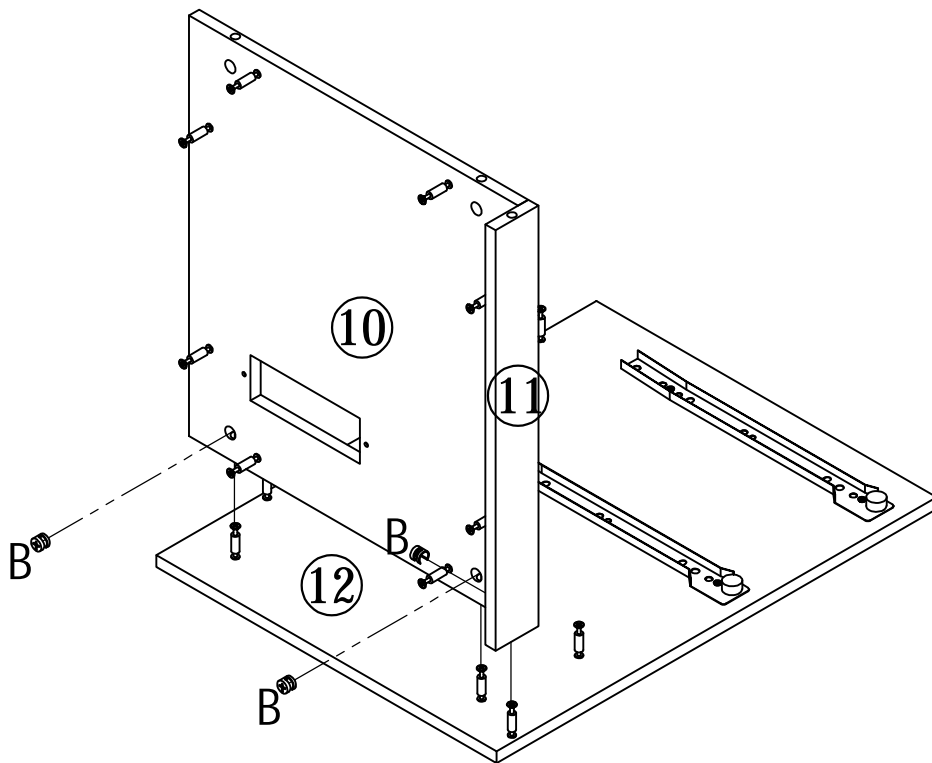
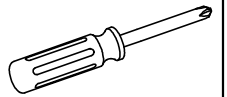
### STEP.4 Tighten A to Board 11



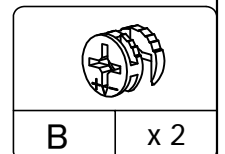
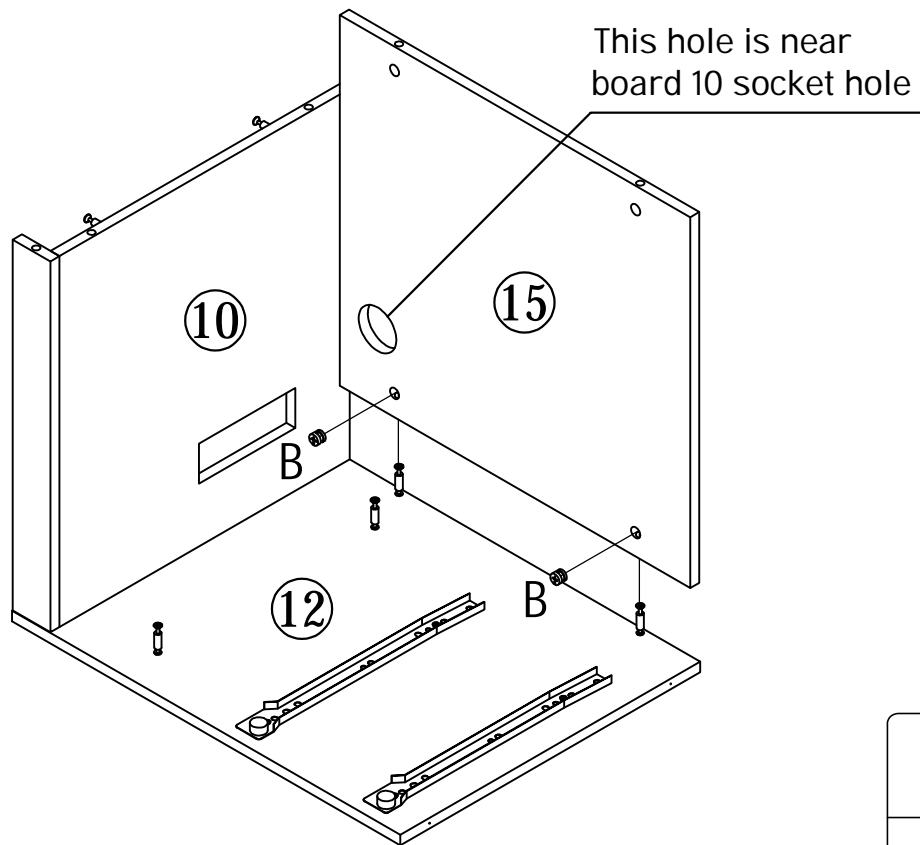
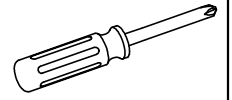
**STEP.5** Secure Board 10 and Board 11 with B. (For assistance, revisit the instructions located at the top of page 5.)



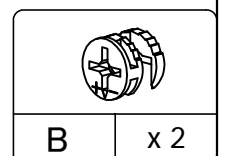
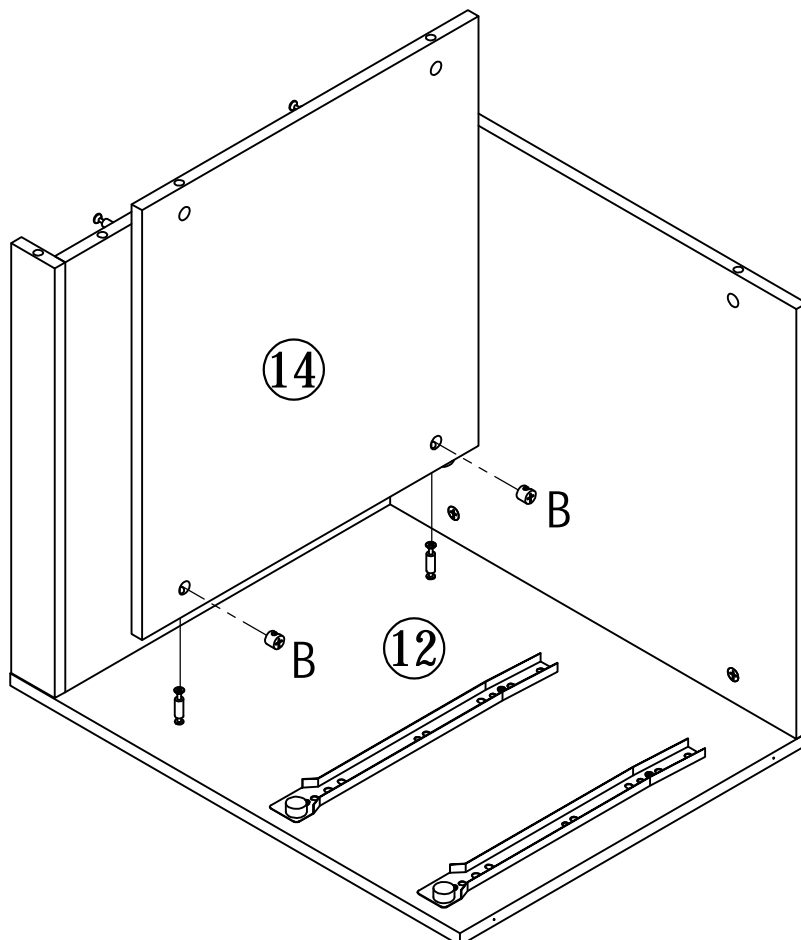
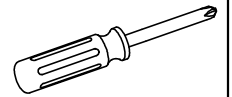
**STEP.6** Secure Board 12 with B



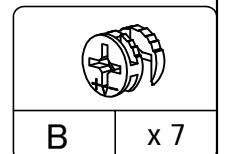
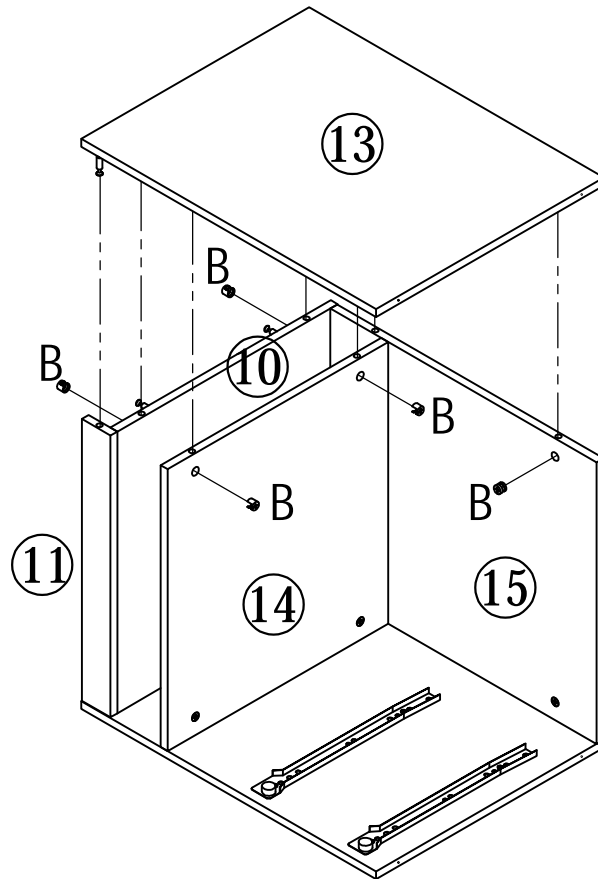
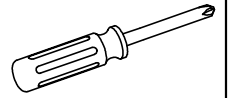
# STEP.7 Secure Board 15 with B



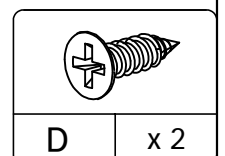
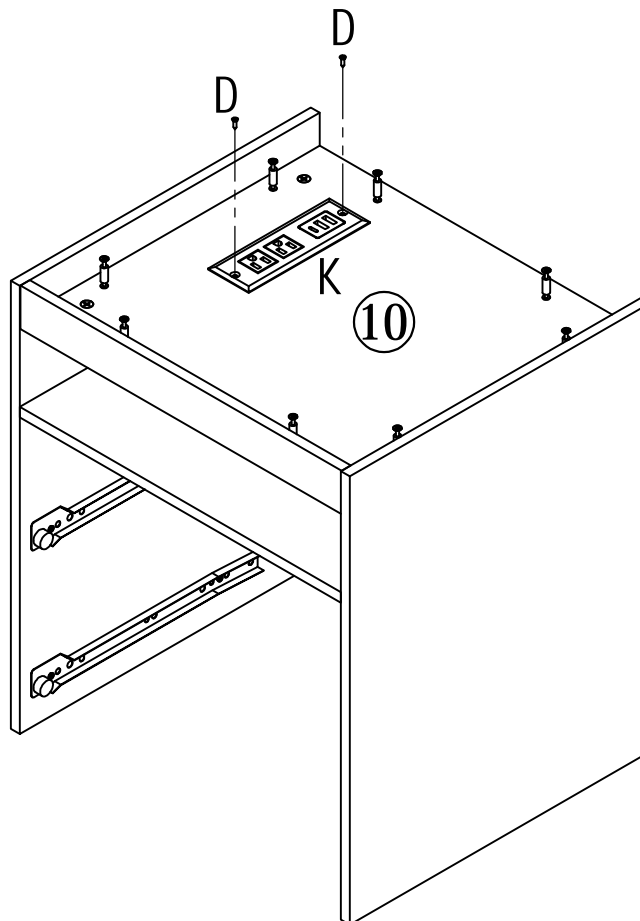
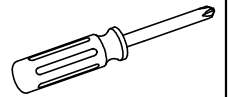
# STEP.8 Secure Board 14 with B



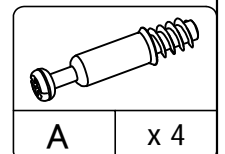
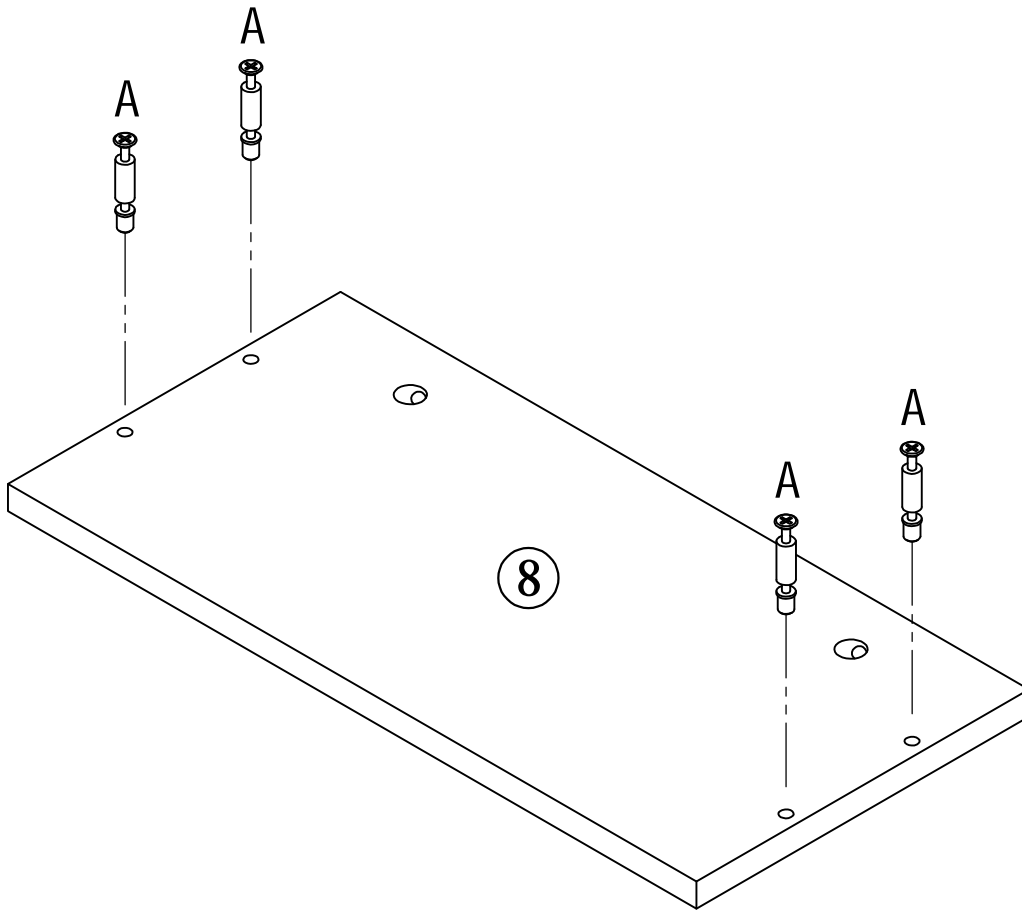
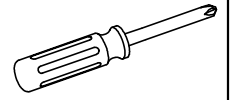
**STEP.9** Align the holes and then secure Board 13 with B



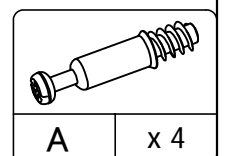
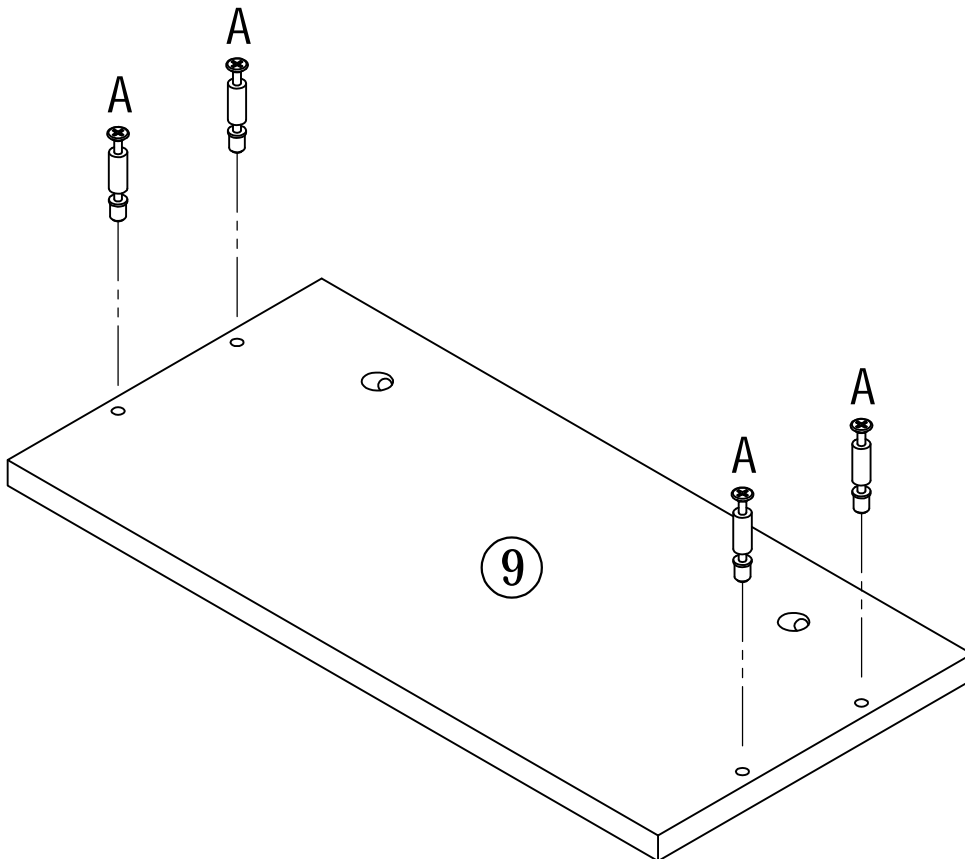
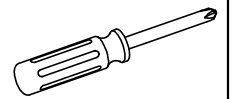
**STEP.10** Mount Component K to Board 10.



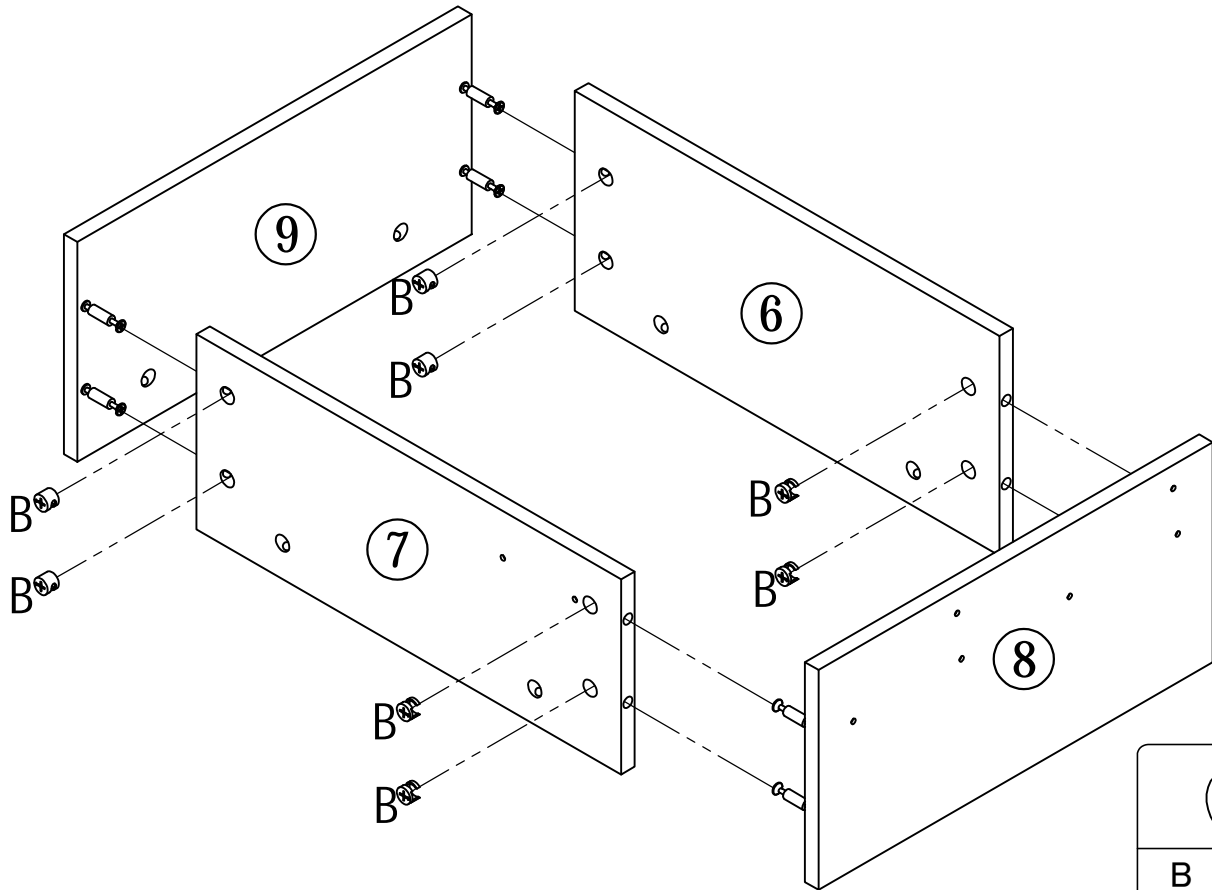
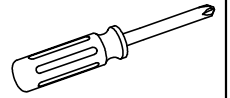
# STEP.11 Tighten A to Board 8



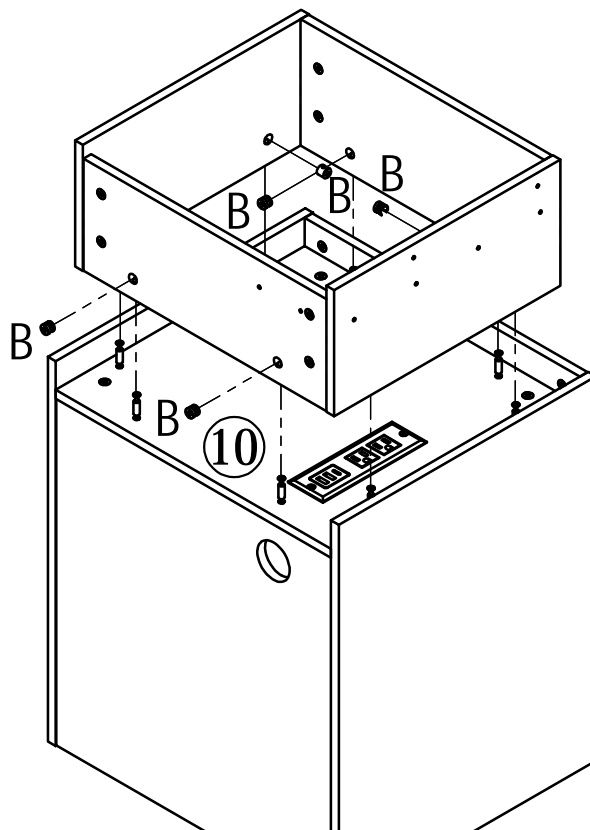
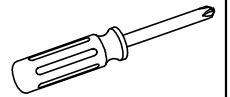
# STEP.12 Tighten A to Board 9



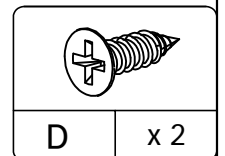
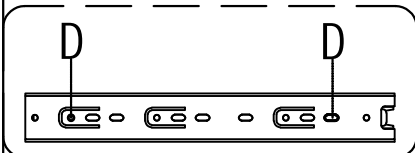
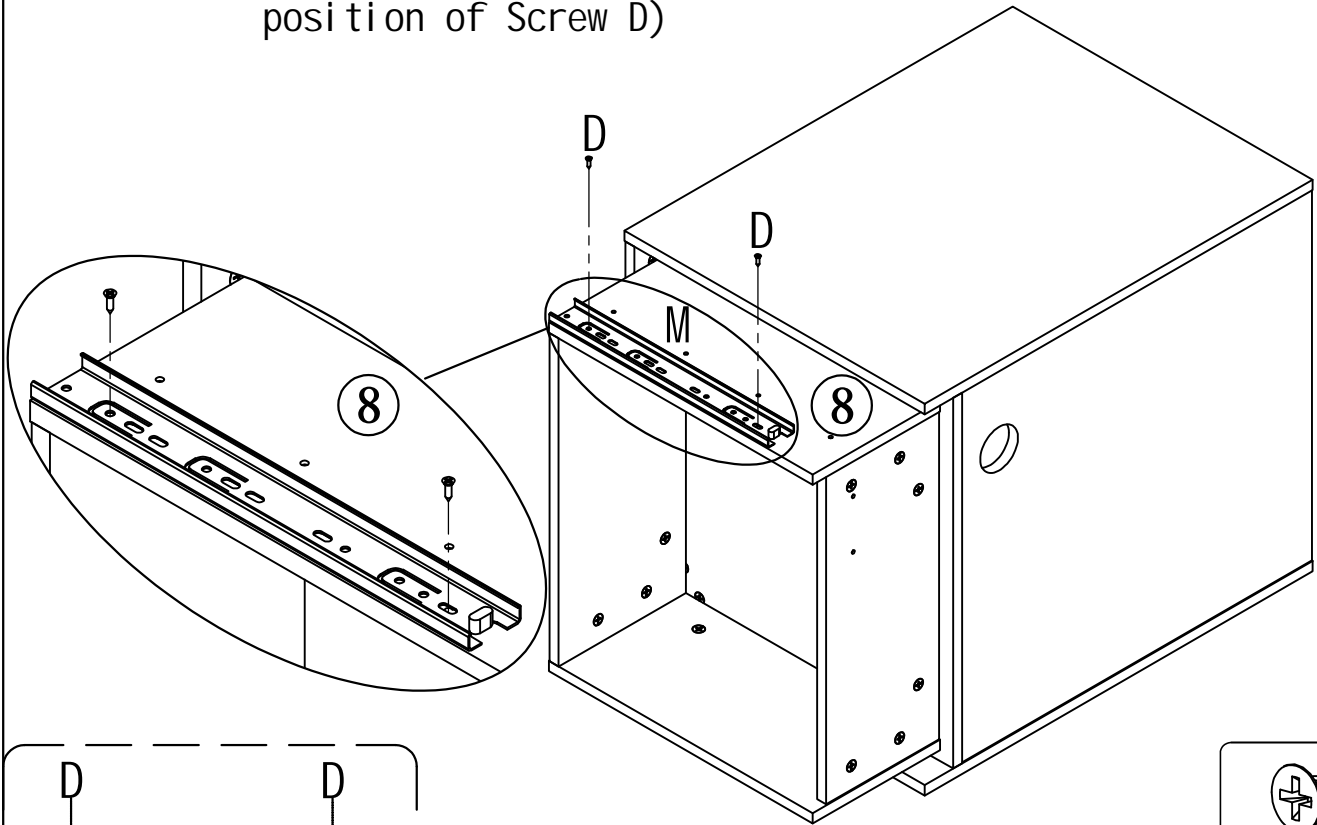
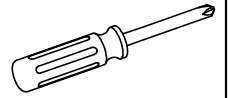
**STEP.13** Align the holes and then secure Board 6, 7, 8 and 9 with B



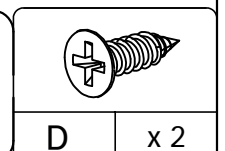
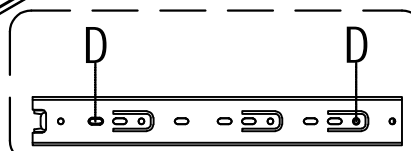
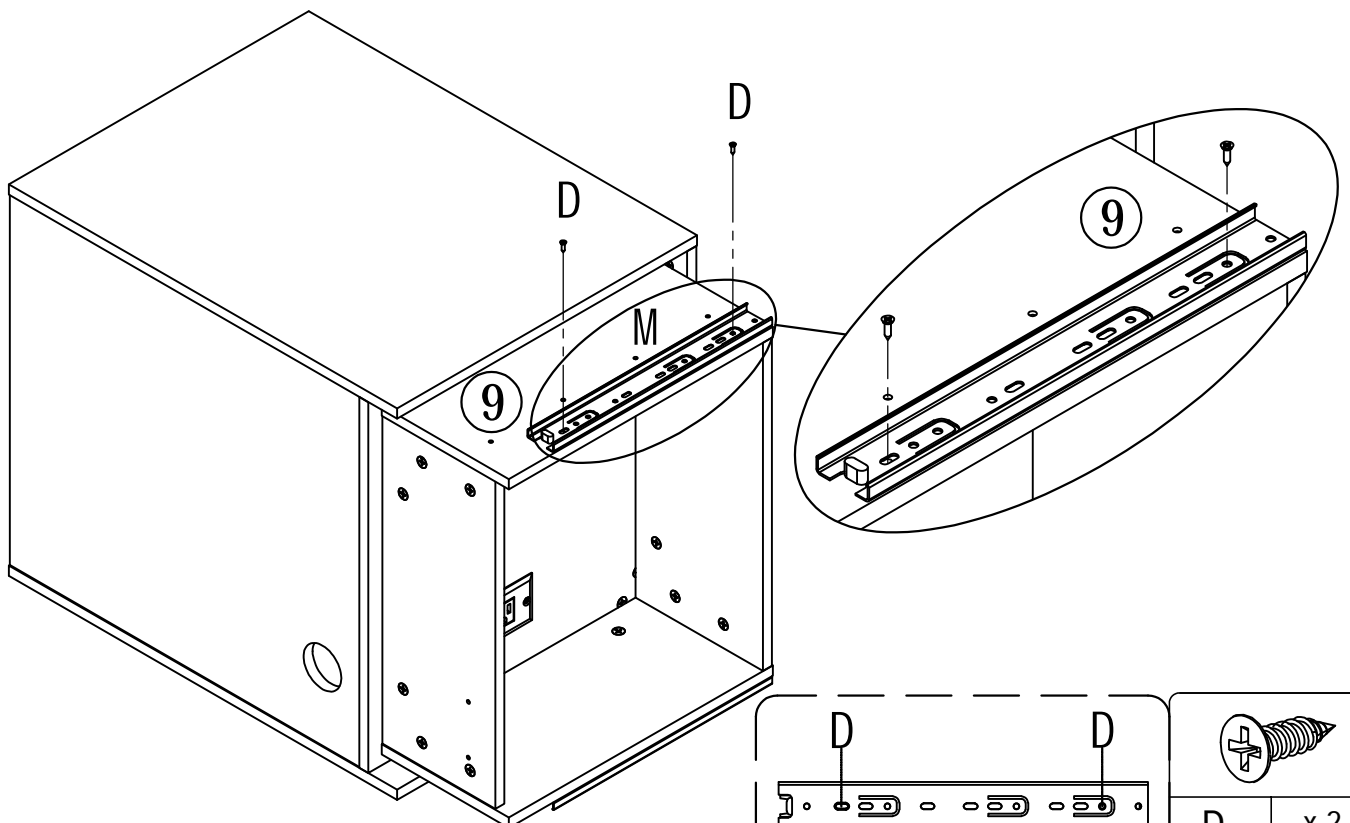
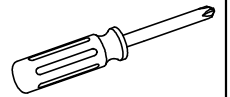
**STEP.14** Join the assembly completed in Step 13 to the assembly completed in Step 10 with B.



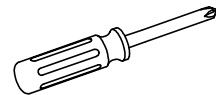
**STEP.15** Secure M (the part without the plastic release tab) to board 8 with D. (Note the installation position of Screw D)



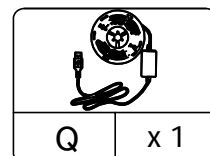
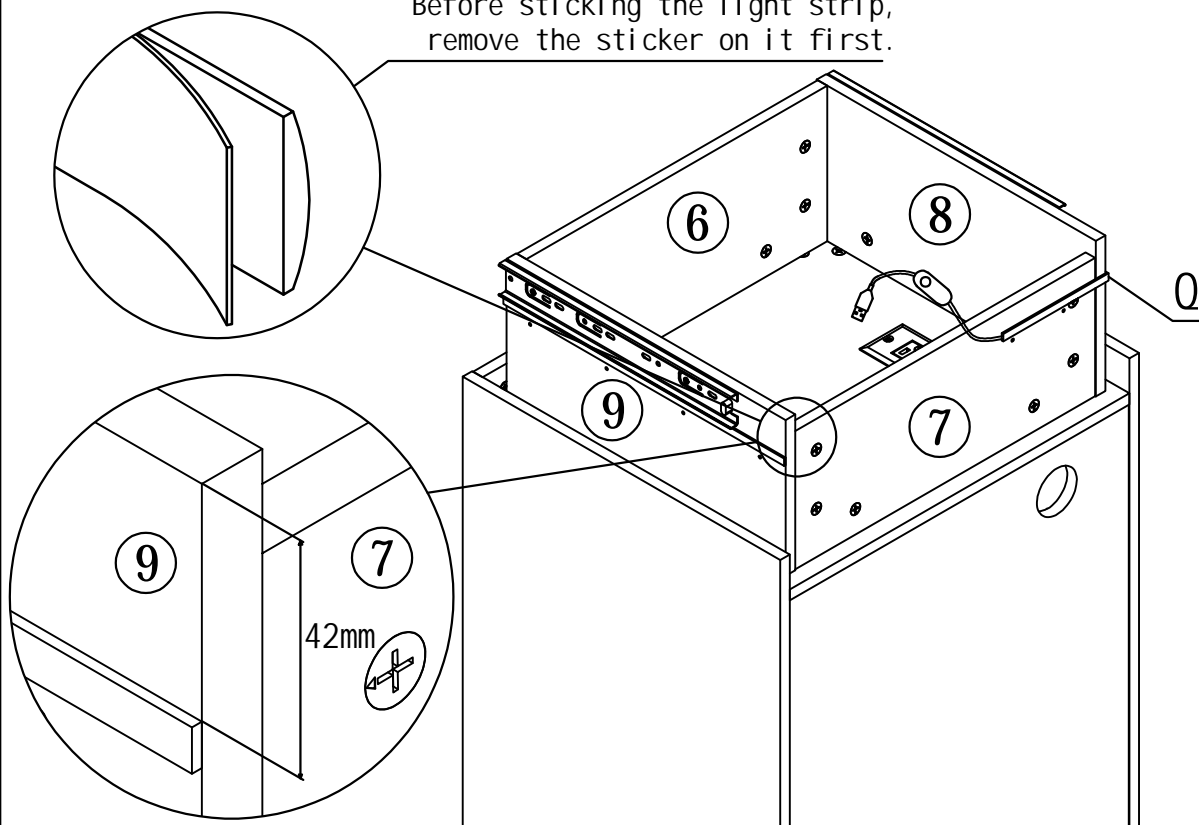
**STEP.16** Secure M (the part without the plastic release tab) to board 9 with D. (Note the installation position of Screw D)



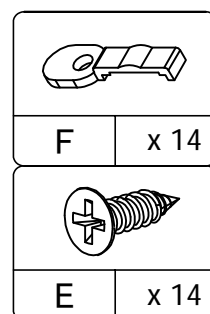
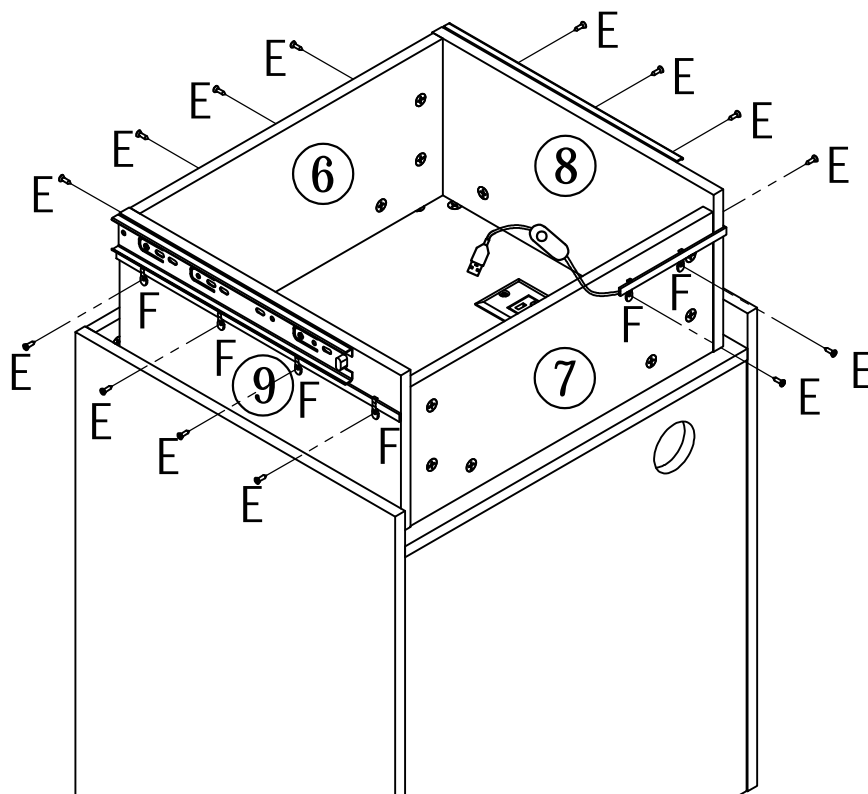
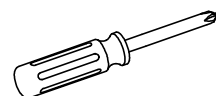
**STEP.17** Adhere Q to Boards 9, 6, 8, and 7 in this specified sequence. (Note: Adhere the LED light strip above the pre-drilled holes.)



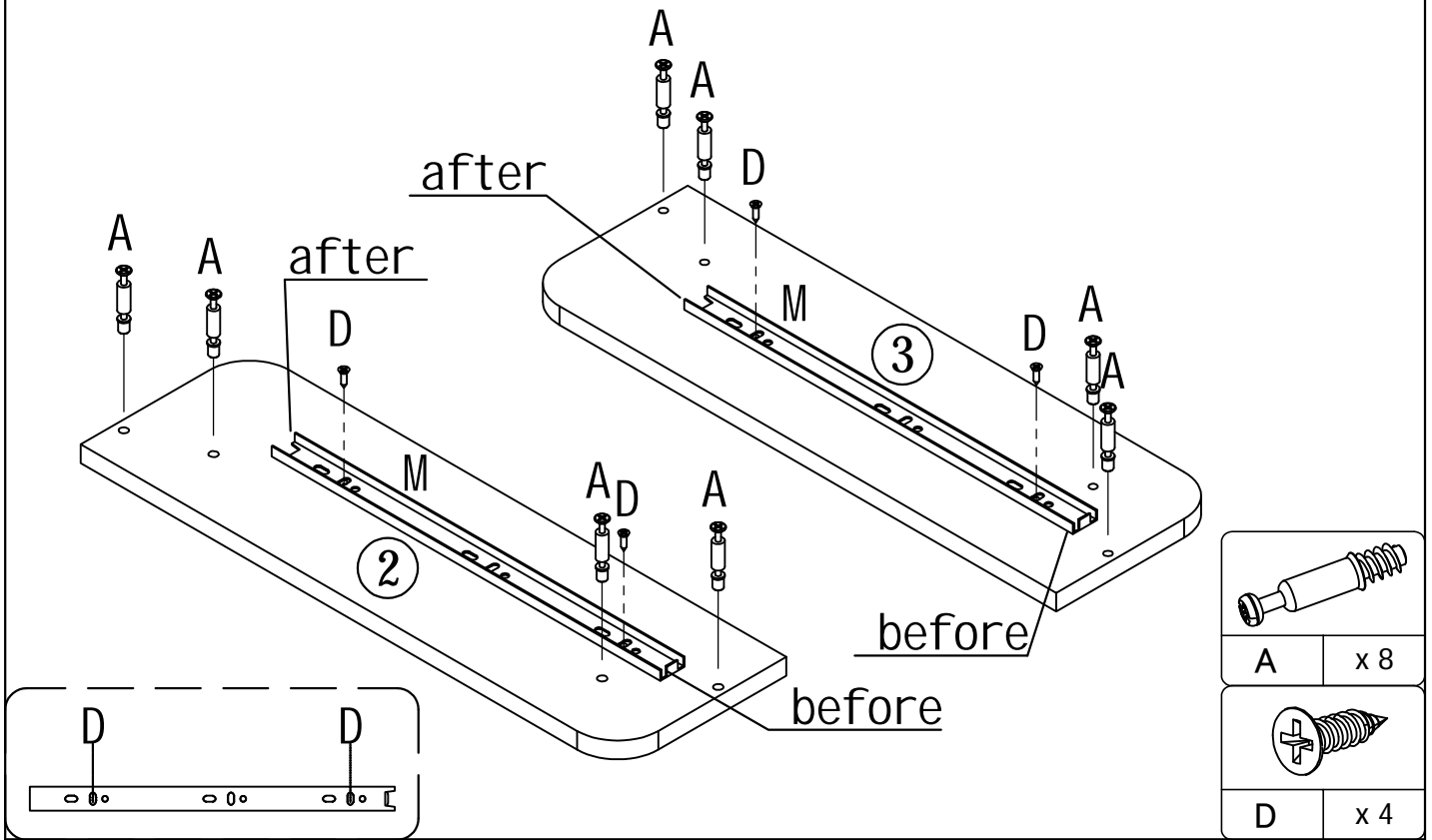
Before sticking the light strip, remove the sticker on it first.



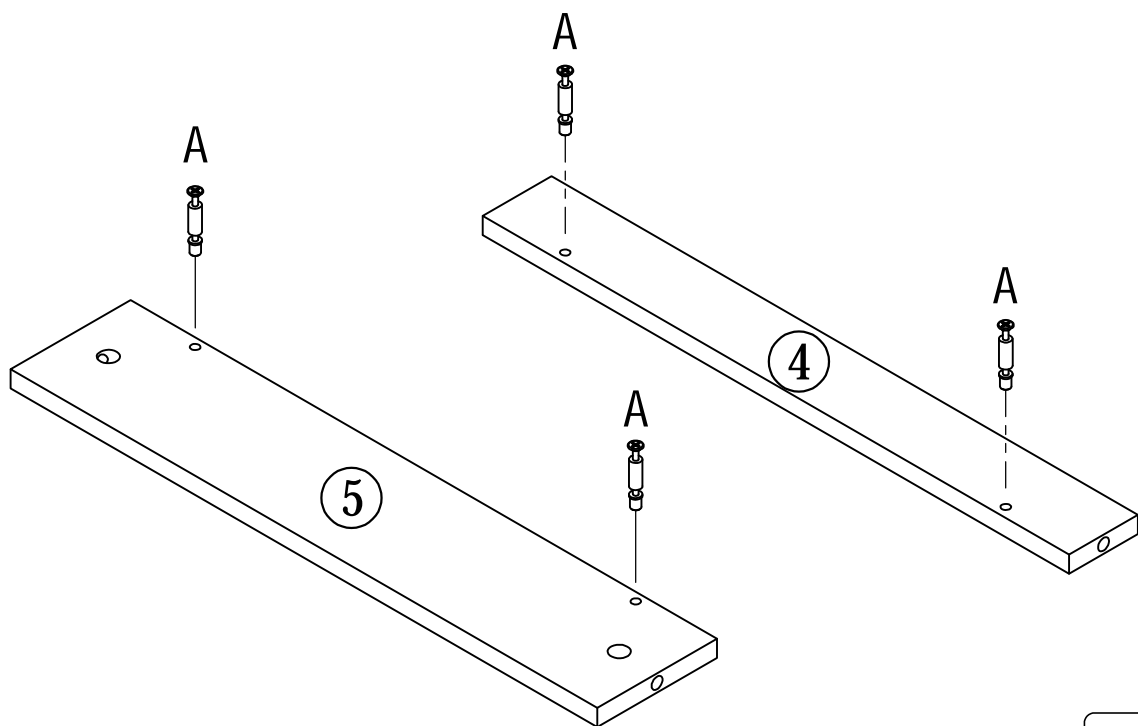
**STEP.18** To prevent the LED light strip from detaching over time, please secure the light strip using F combined with Screw E. This ensures the strip remains firmly.



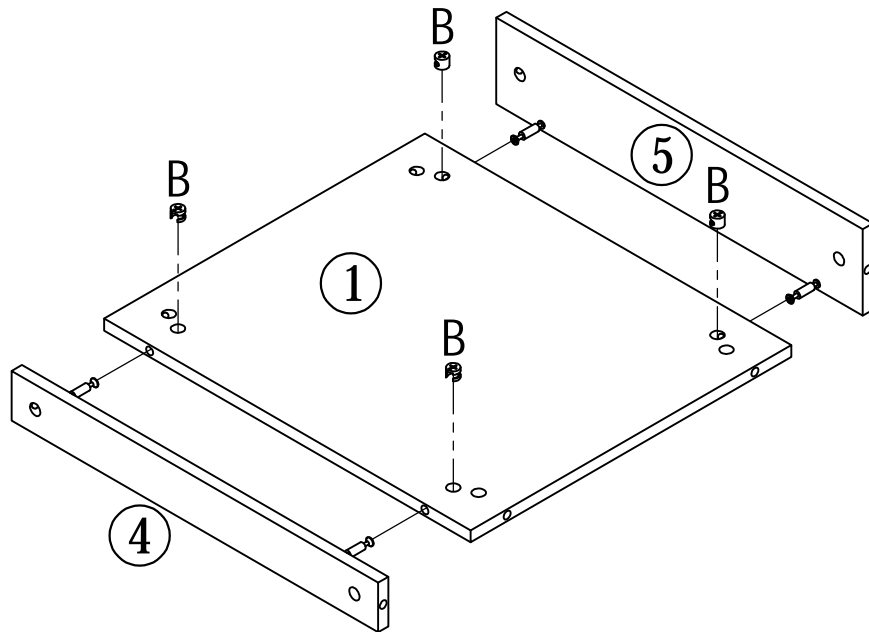
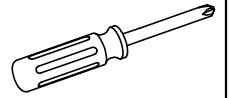
**STEP.19** Tighten A to Board 2 and 3 and then Secure M to board 2 and 3 with D (Note the installation position of Screw D).



**STEP.20** Tighten A to Board 4 and 5 and then Secure M to board 4 and 5 with D.



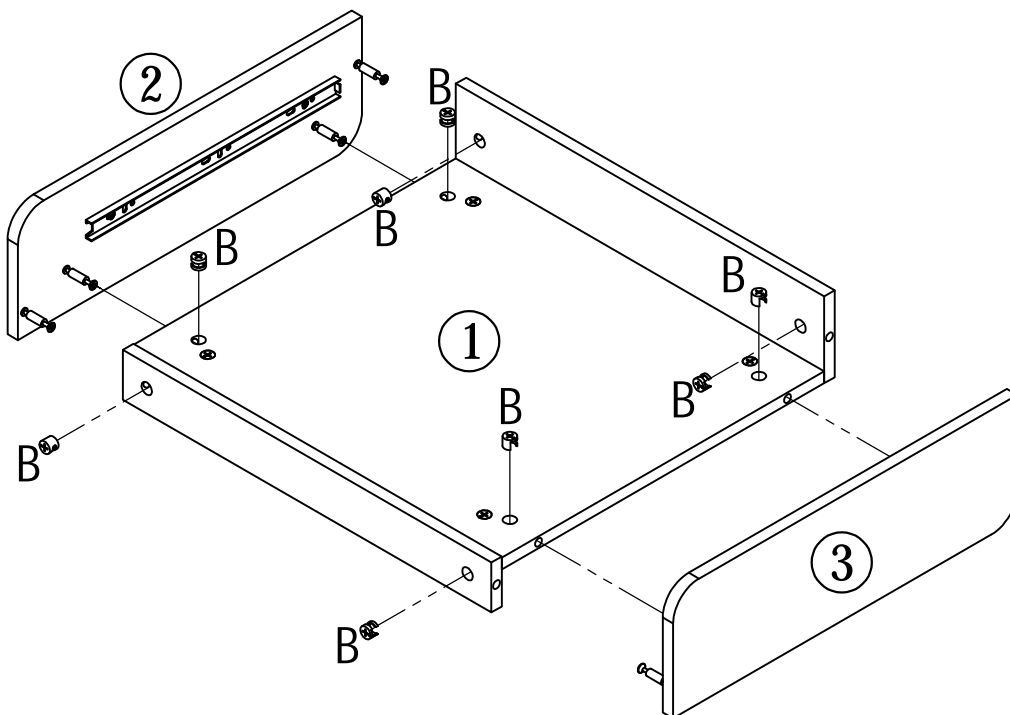
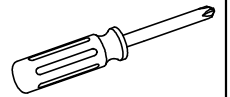
## STEP.21 Secure Board 1, 4 and 5 with B



B

x 4

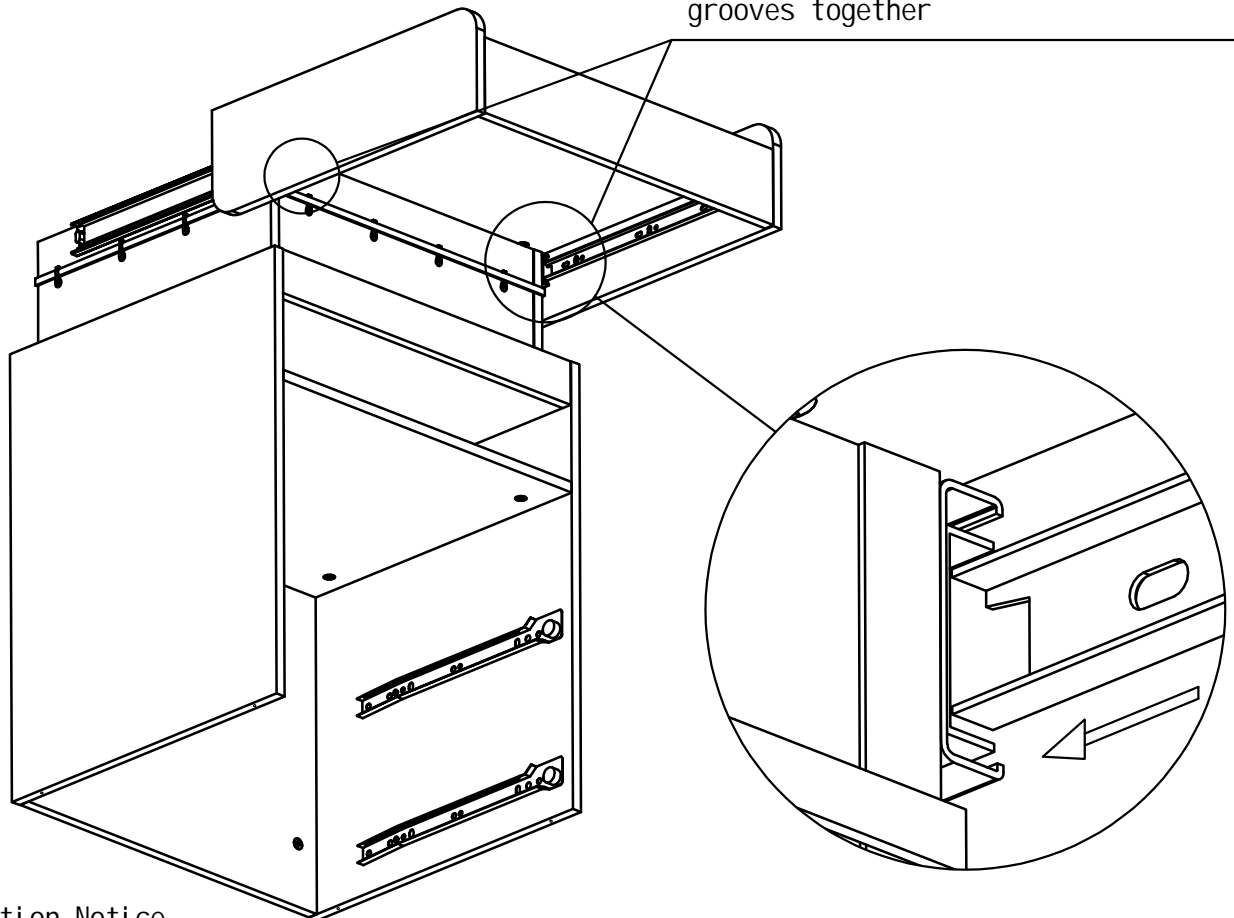
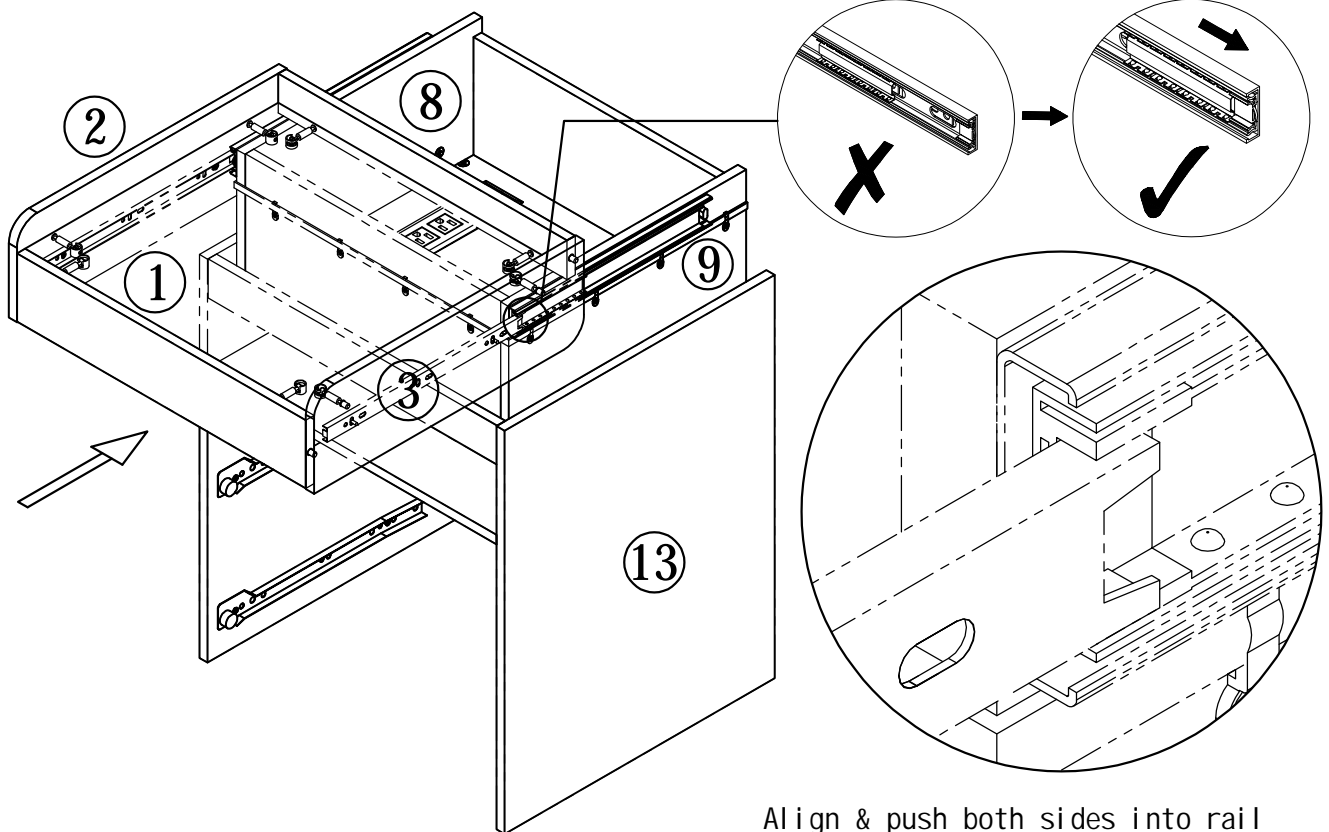
## STEP.22 Secure Board 2 and 3 with B



B

x 8

## STEP.23 Install Step 22 assembly onto Step 18 base structure.



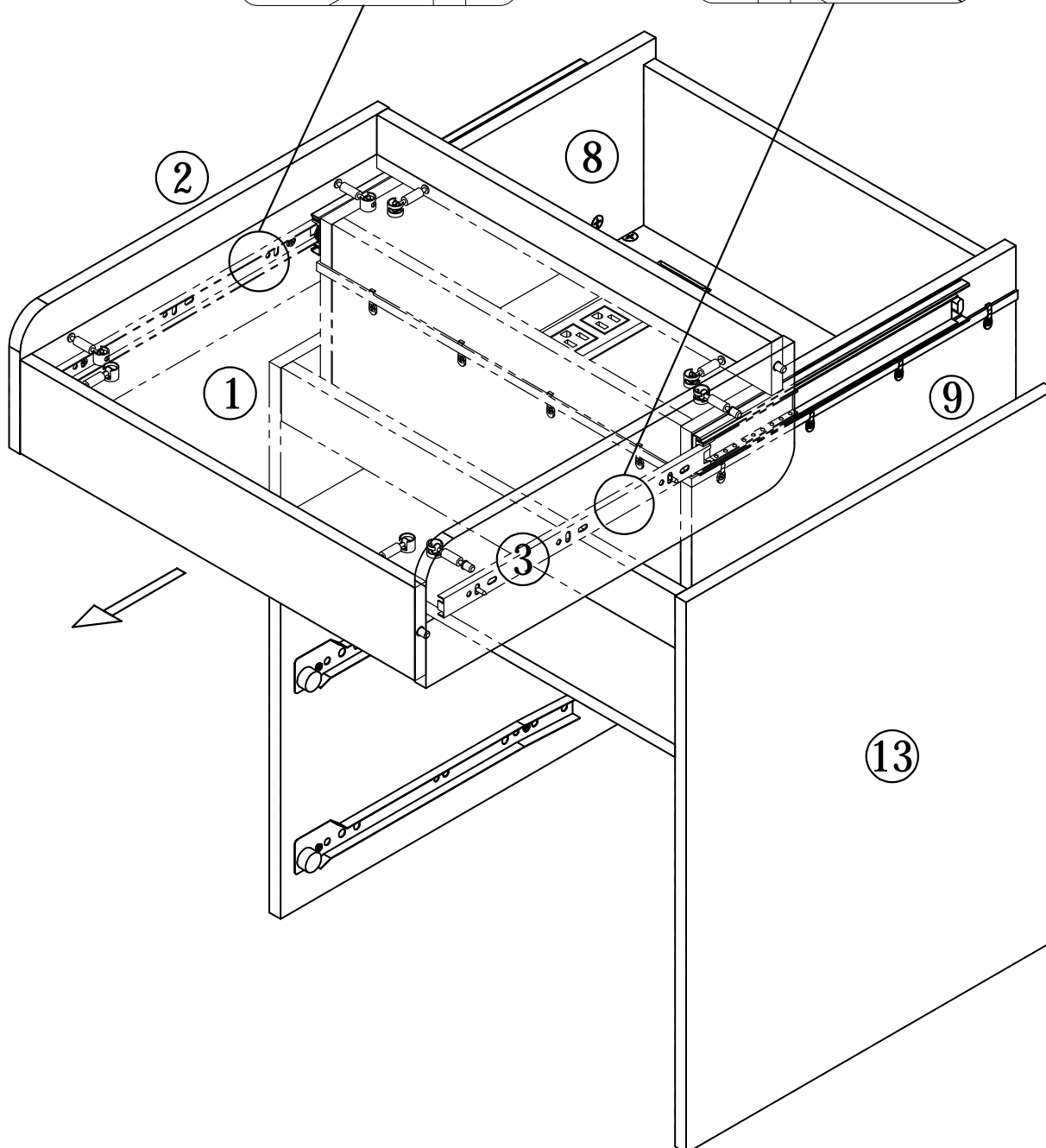
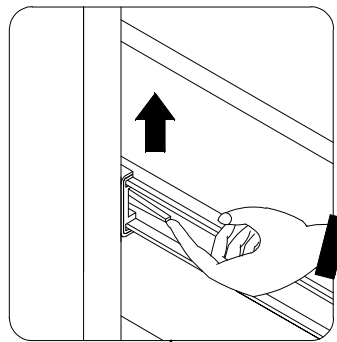
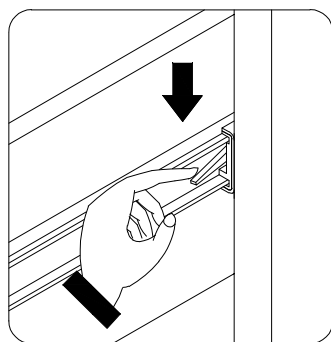
### Installation Notice

1. Remove the rail assembly from the cabinet first.
  2. Align the drawer slide runners with the unit tracks, then gently push the drawer inward until it clicks into place.
- ★ Troubleshooting: If the drawer doesn't slide smoothly, retract it fully and repeat the alignment process.

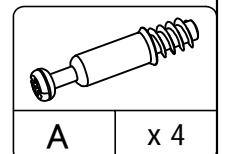
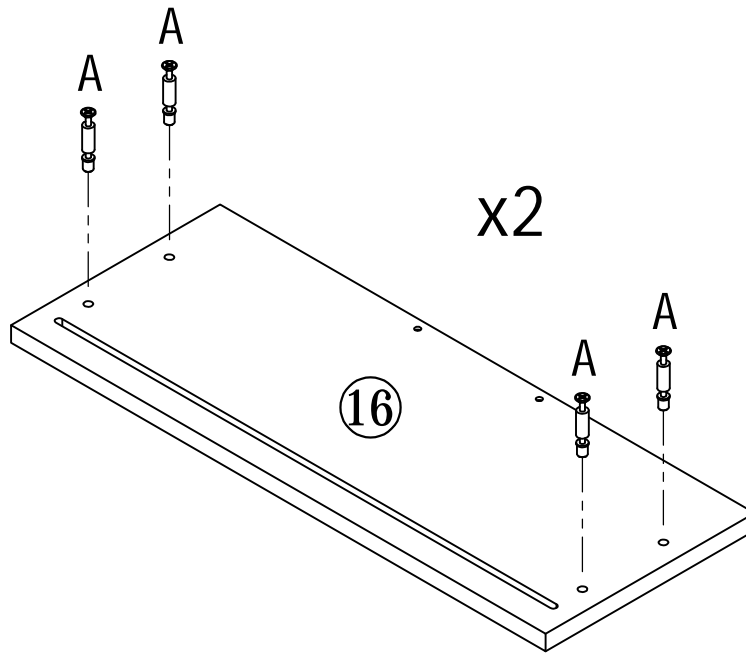
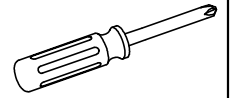
**STEP.24** To remove the telescopic top, please press the guide button on both sides as shown in the figure below and pull it outward (note that the direction of the button goes down to the left and up to the right).

Right side

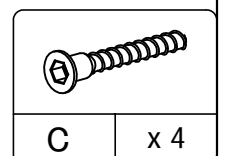
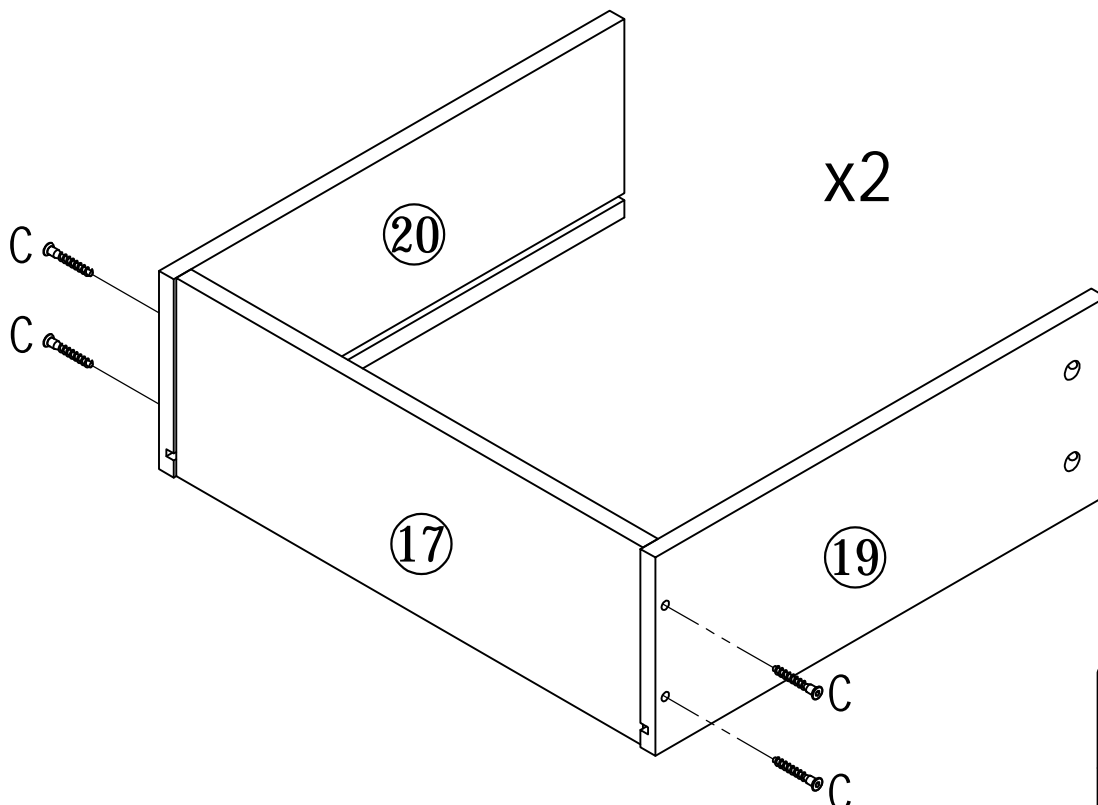
Left side



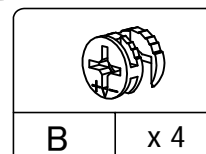
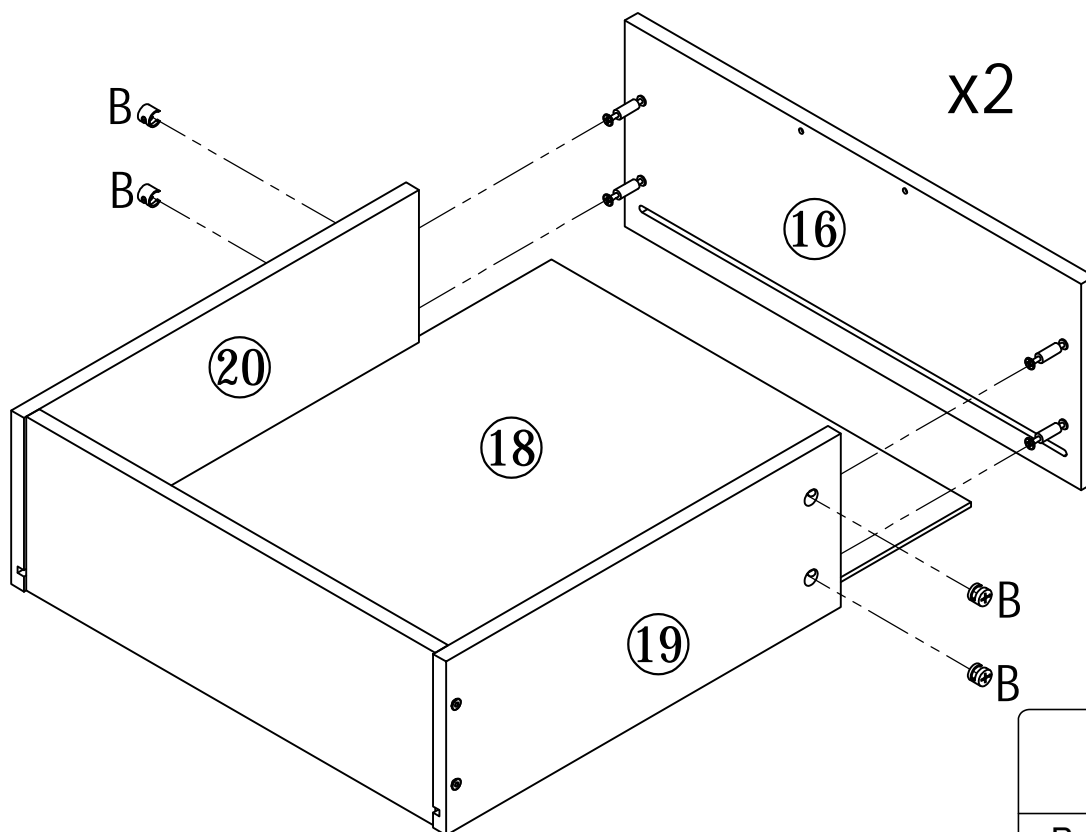
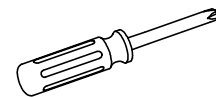
# STEP.25 Tighten A to Board 16



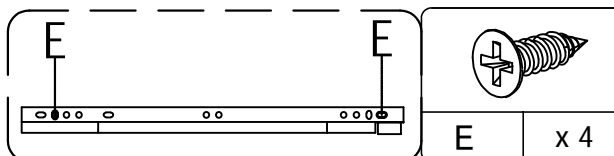
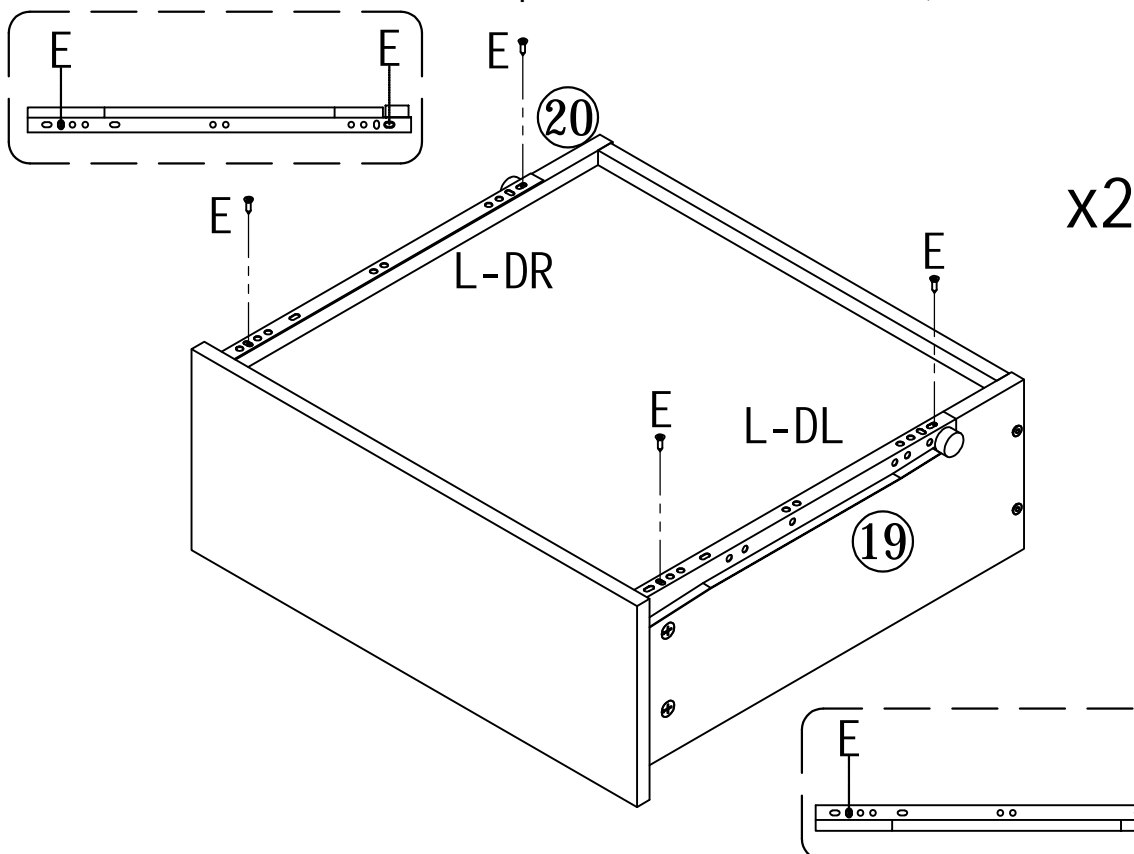
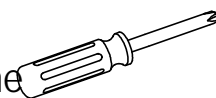
# STEP.26 Secure Board 20, 17 and 19 with C



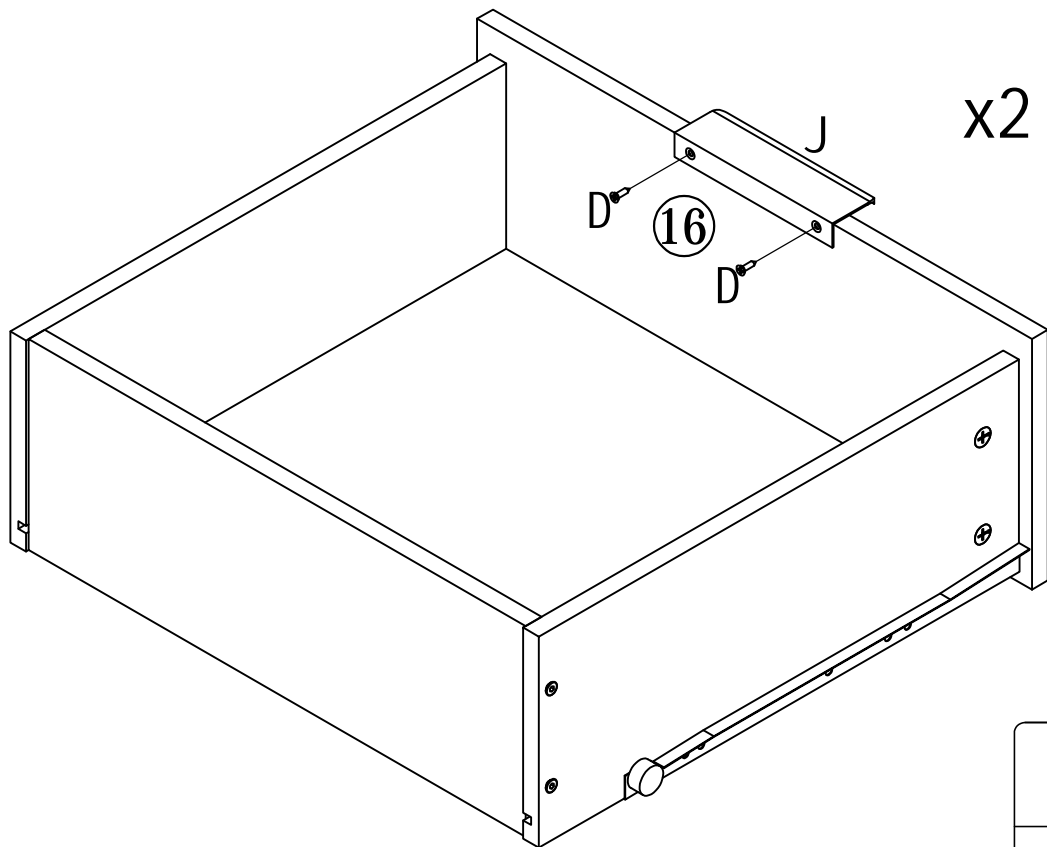
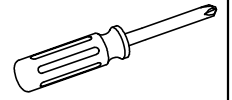
**STEP.27** First, insert board 18 into the slot, then install board 16 and screw on B.



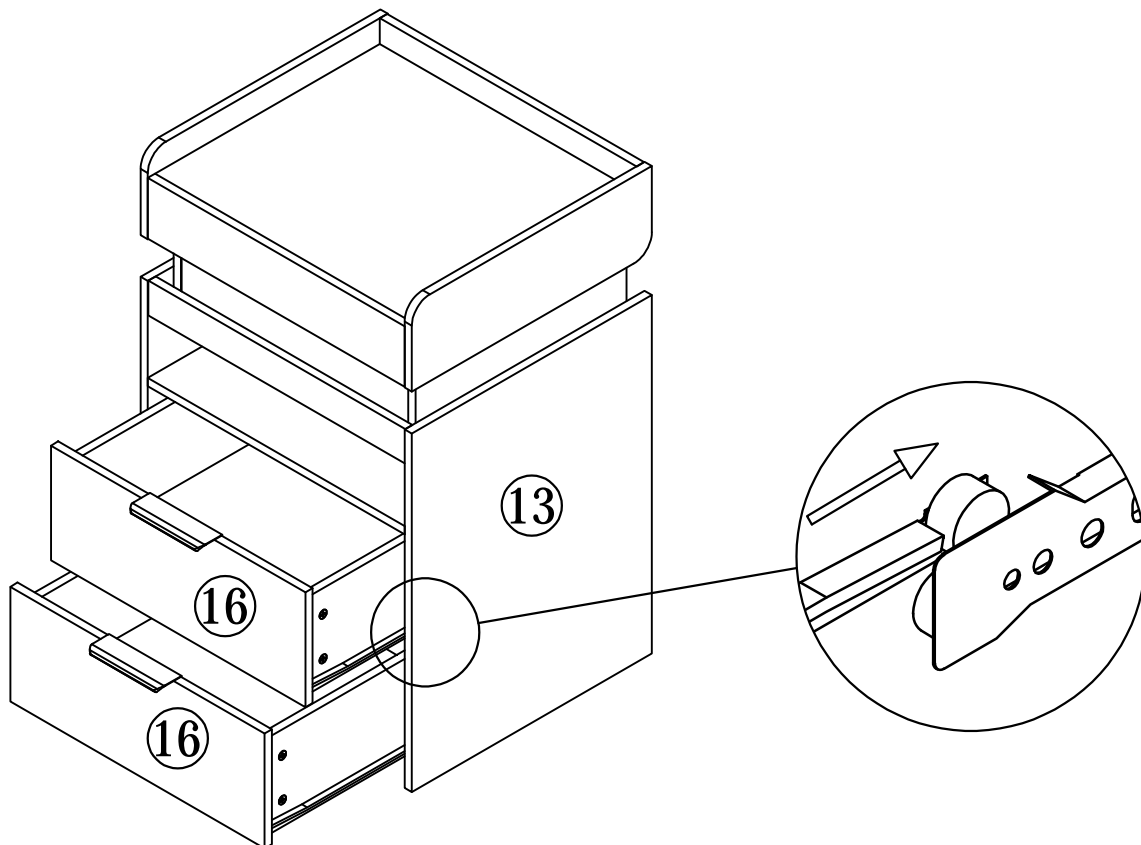
**STEP.28** Install L-CL on Board 19 and L-CR on Board 20. (Note the stamped number on the Rail and the installation position of Screw E.)



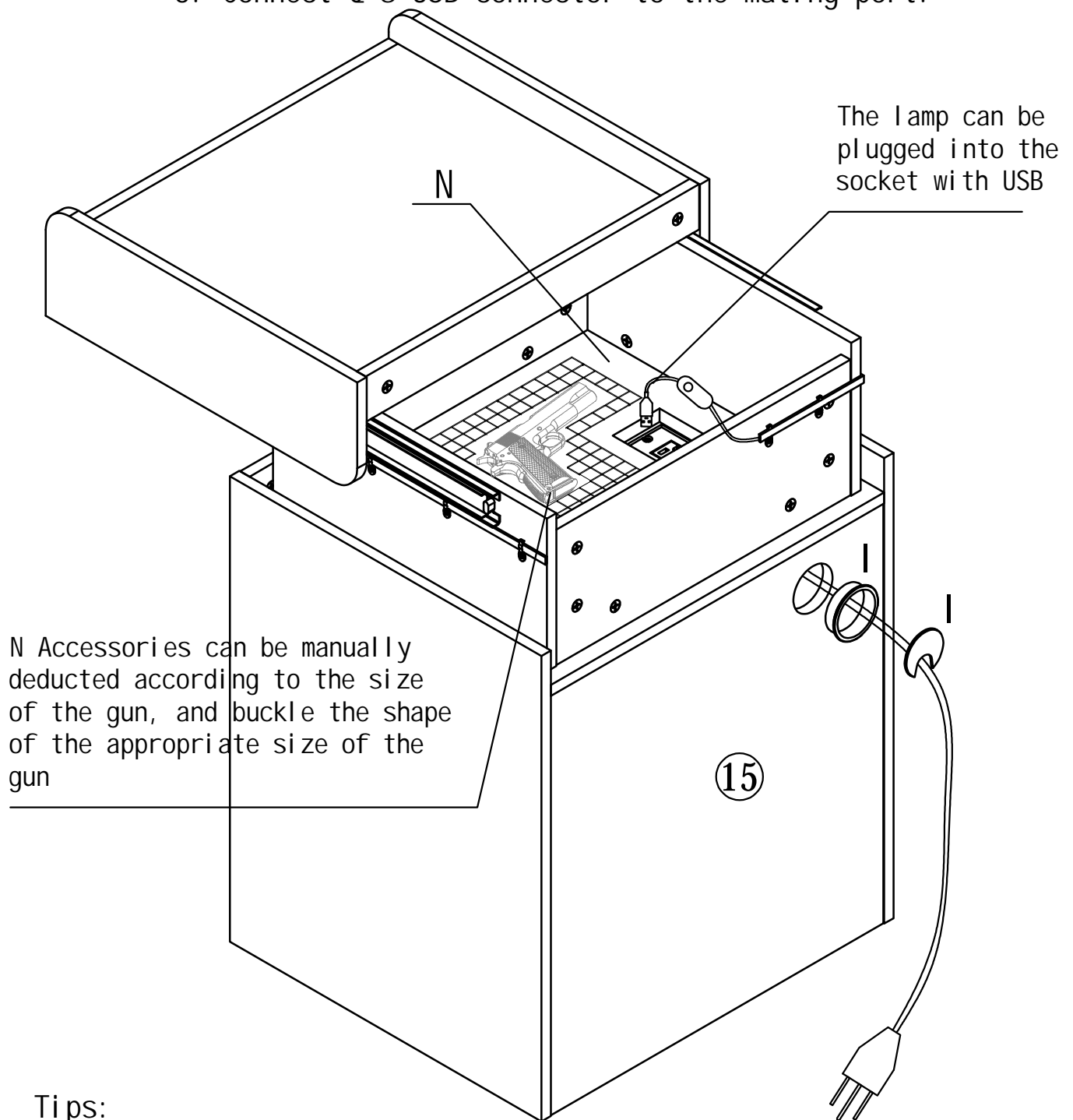
# STEP.29 Mount J to Board 16



# STEP.30 Install two drawers.



- STEP.31**
1. Install Component I onto Board 15.
  2. Insert Module N into the designated slot.
  3. Connect Q's USB connector to the mating port.



**Tips:**

① For downloading the APP of the LED lights and using the multi-function LED lights, please refer to the manual in the light package.

② To make it more convenient for you to use the light, we have set a switch on the power cord of the light. When the light is on, short pressing to randomly switch the light color or flashing mode, and long pressing to turn off the light. When the light is off, short pressing to turn on the light.