

INSTRUCTIONS

3. Finish lamp installations according to below instructions

WIRE CONNECTION DIAGRAM

Wires meet safety standards are recommended to connect the supply circuit.

CAUTION:FIRE RISK



CANOPY INSTALLATION INSTRUCTIONS

Please read all instructions carefully before you proceed to install. make sure that the power supply is turned off and remains off until installation is completed. Please note that each part is marked with letter as below .Please proceed in an alphabetical order.

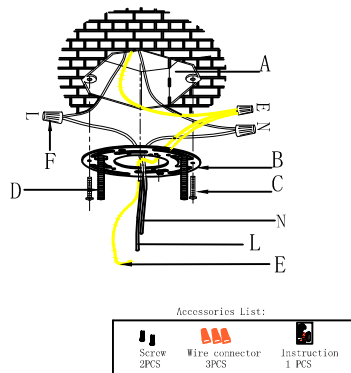
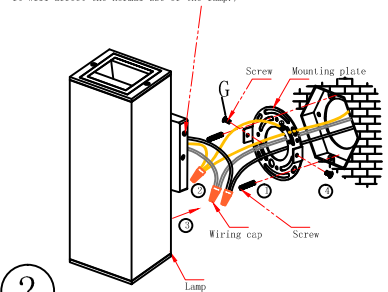
- A. Original electrical box
- B. Circular bracket
- C. Bracket Screw
- D. screw
- E. Ground wire
- F. Terminal cap
- G. Screw
- L. Live wire (black)
- N. Zero line (white)

SPECIFICATIONS

Lamp tube material	aluminum
Shade material	glass
size	10.17x4.33x5.04 inch
weight	2.67 lb
Voltage	AC100-277V
Watts	12W(6W*2)
Bulb type	LED
long life	>50000h

- Before installing the lamp, remove the mounting plate of the lamp (remove the screws on both sides of the mounting plate with a tool), and then fix the mounting plate in the screw hole of the installation position with the kit screws
- Using the wiring cap in the accessory kits, then Connecting the L wire marked on the lamp with the live wire of the appliance, the N wire marked with the neutral wire of the appliance, and the bare copper wire with the ground wire of the appliance. (Lighting the lamp then complete the correct wiring)
- Install the lamp with the fixed mounting plate
- Fix the mounting plate screws with tools to complete the installation.

It is Equipped With a Dawn to Dusk Sensor, Which Automatically Turns on at Night and Turns OFF at Dawn.Needs to be Directed Towards the Direction of Open Space With Sunlight, and Cannot be Installed in the Place Where the Object is Always in Darkness or Conc.(Note: The Lamp can not be installed in the direction of the lamp probe light reflection environment, otherwise it will affect the normal use of the lamp.)



RELATED TO INSTALLATION

i. GENERAL

- To ensure the success of the installation, be sure to read these instructions carefully before beginning.
 - Before installations, prepare the required tools, such as Blade screw driver, Adjustable wrench, Step ladder, Wire cutter.
 - All electrical connections must be in accordance with the National Electrical Code. Qualified licensed electricians are required to conduct the installation of electrical wiring.
 - The outlet box that is connected to the lighting must be directly supported by the building structure.
 - Before starting the installation, disconnect the power to prevent electrical shock.
- NOTE: The important safeguards and installations appearing in this manual are not meant to cover all possible conditions and situations that may occur. It must be understood that common sense, caution, and care are factors which can not be built into any product. There factors must be applied by the person(s) caring for and operating the fixture.

ii.CAUTION

- Rated 120V/60HZ, bulb 60W maximum.
- Care should be taken to avoid damage to the surface of lighting and wire, wearing gloves are recommended when installing.
- Keep lighting away from acid, alkali and other corrosive chemical or gas, clean the lighting with clean soft cloth only.
- Installation must be carried out by qualified electrician only.
- Disconnect the power before installing, cleaning and replacing lighting.
- Never cover the lighting when power is connected.

INSTRUCTIONS

- Take out all lamp parts. The picture below shows the exact items that you receive in this product. Please note that this picture may look different from the computer generate part table. The parts in the part table are not assembled but some parts in this part picture are assembled, so there may be fewer items in the picture than in the table.
- Part Table
Please note: The parts in this table are completely unassembled, for illustrative purpose. In the actual product that you receive, some parts are assembled and attached together.

