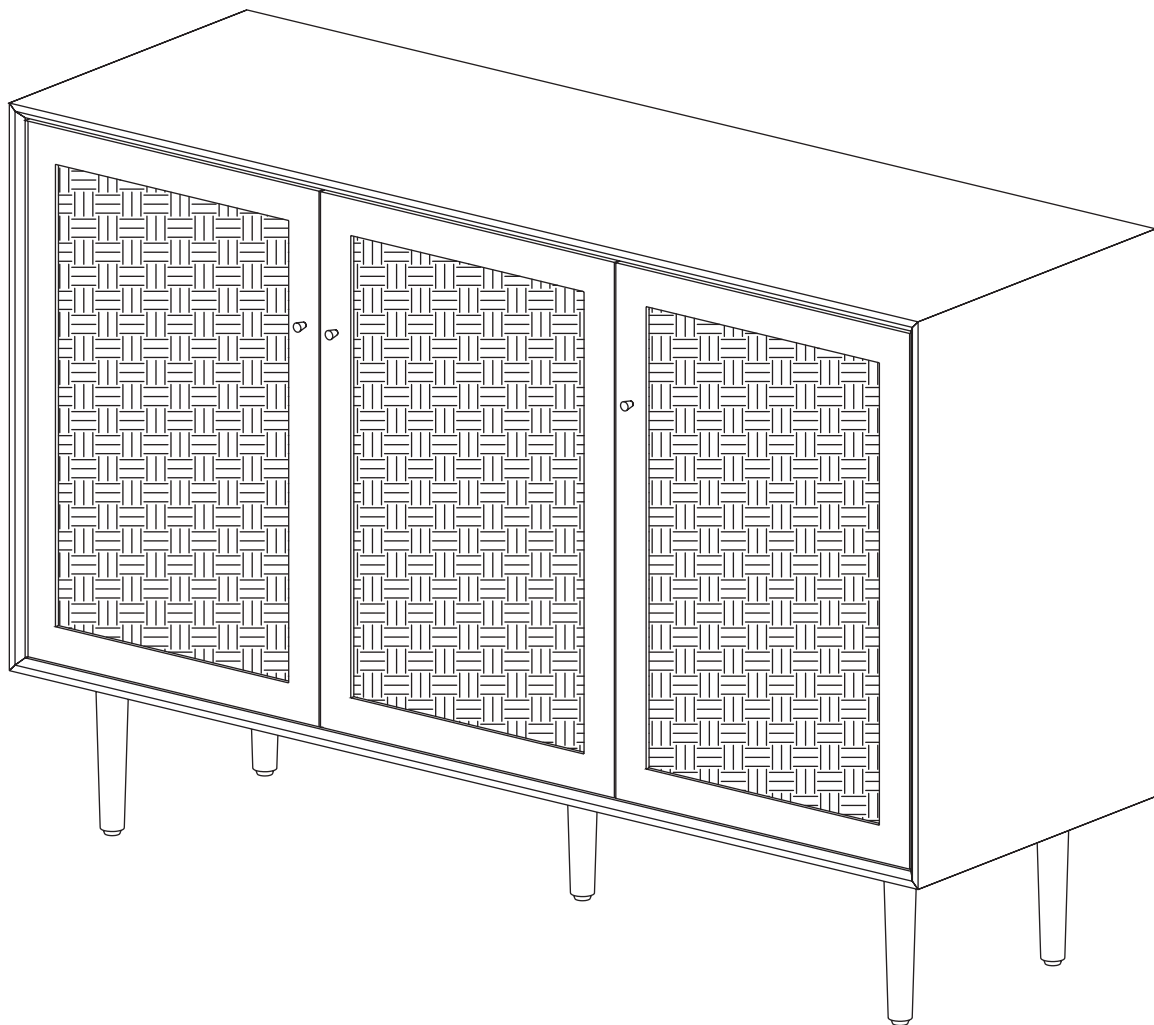


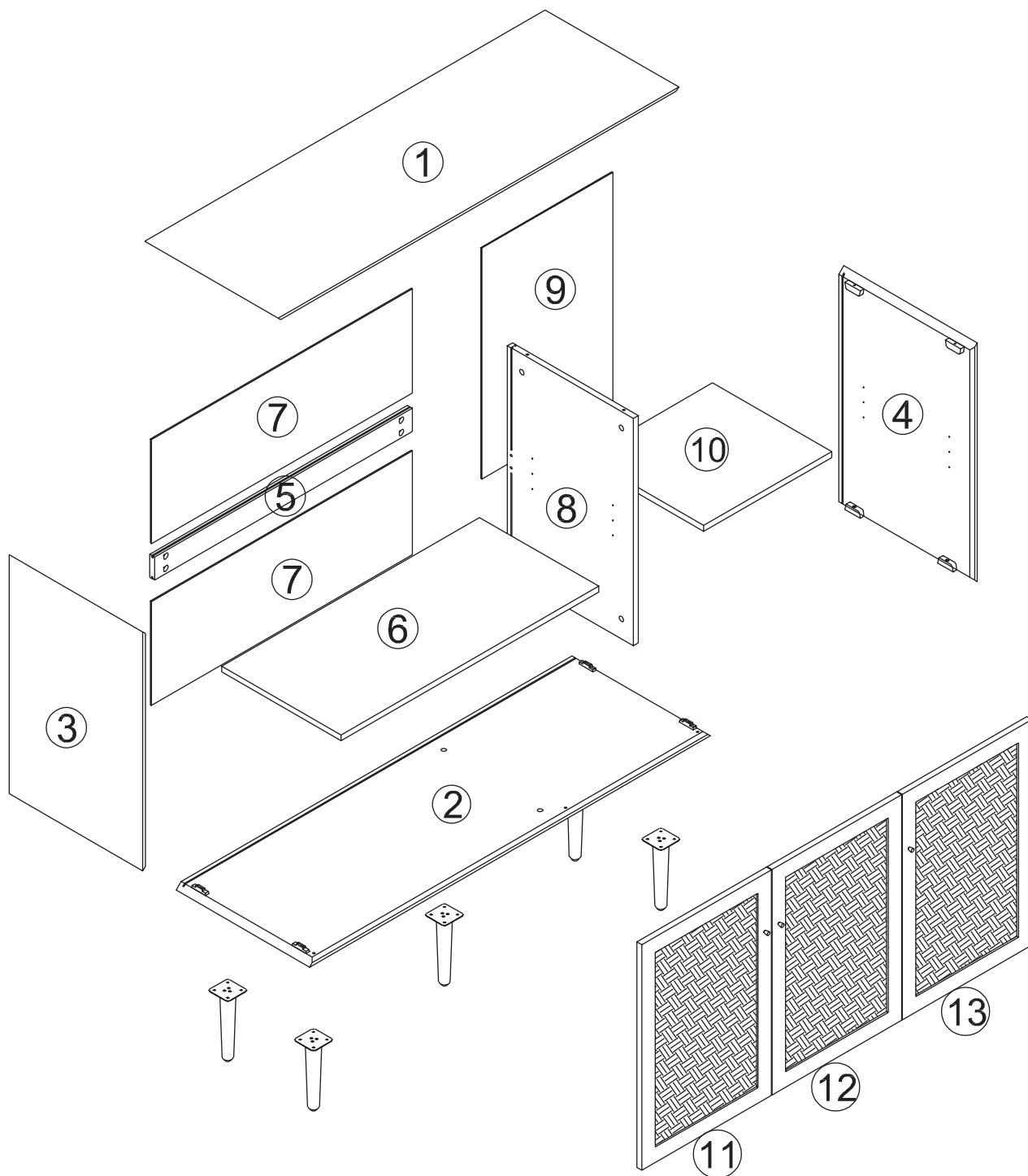
# RATTAN CABINET

## THREE DOORS



ASSEMBLY INSTRUCTIONS

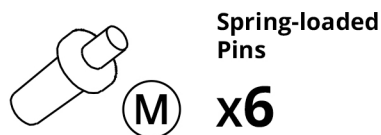
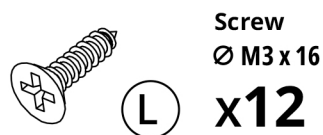
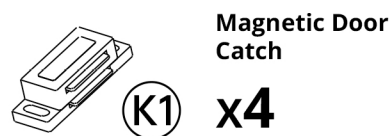
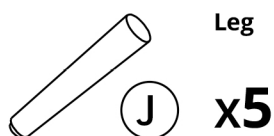
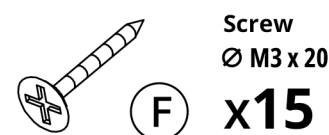
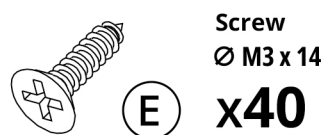
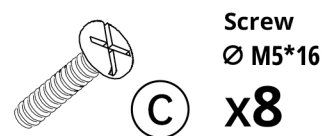
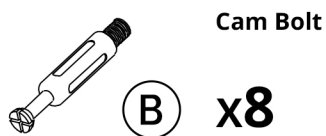
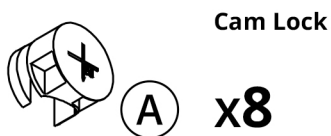
# Parts



## IMPORTANT

1. Do not tighten bolts/screws completely until all bolts/screws are lined up and inserted into holes.
2. Do not over-tighten screws and bolts to avoid stripping.
3. Please use hand tools to assemble this product. Do not use power tools.

# Hardware



Before discarding the packaging, please use the checklist to ensure you have all the parts required to assemble your product. Please kindly note you will need the original package if you want to return the product later.



If parts are missing or damaged, we will gladly ship your replacements parts free of charge.

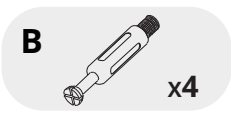
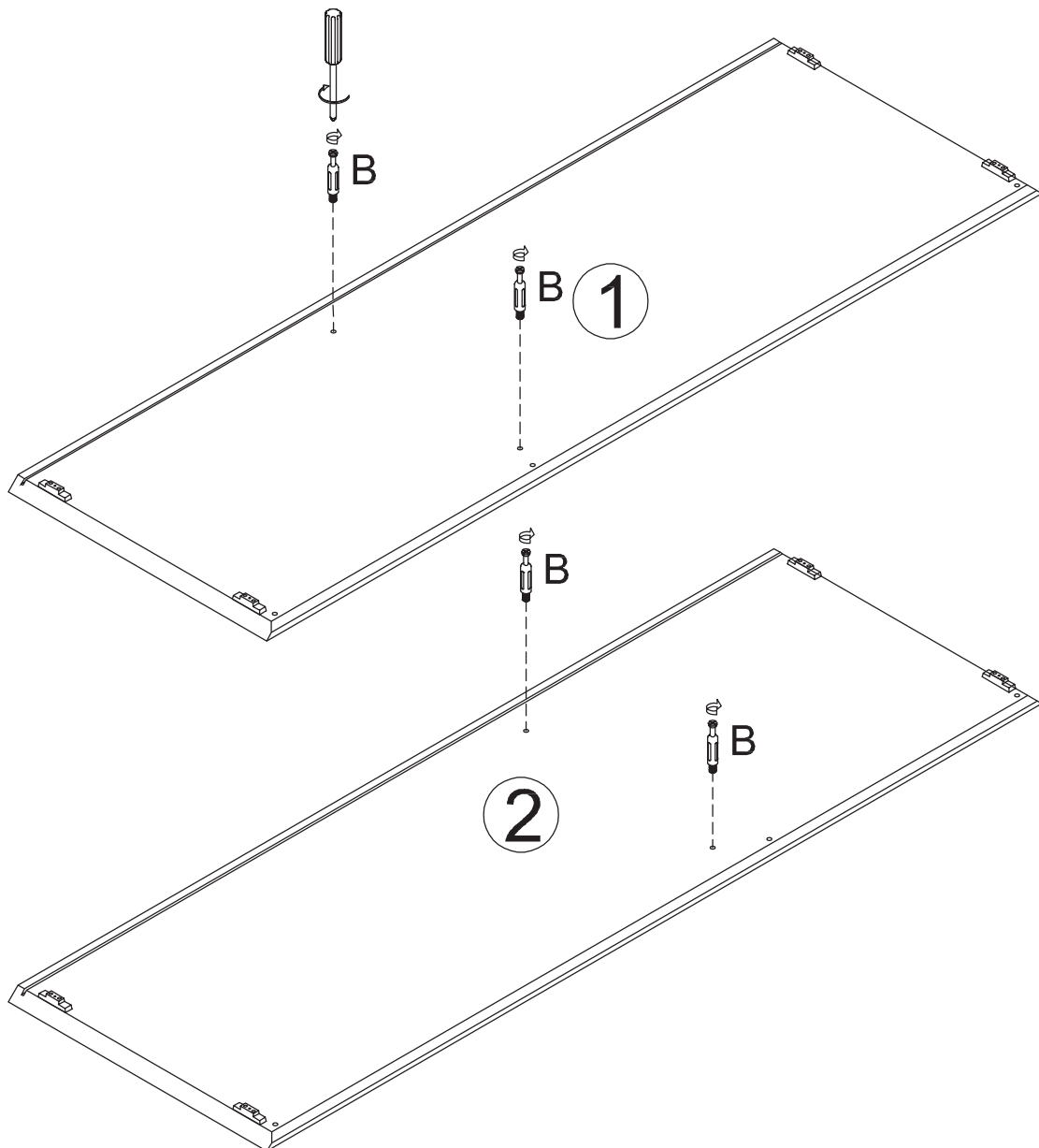
|           |                |           |
|-----------|----------------|-----------|
|           |                |           |
| <b>x2</b> | <b>90 mins</b> | <b>x1</b> |

# Step 1

Let's get this thing fired up! Lay down the packaging carton or use the carpet as a working surface.

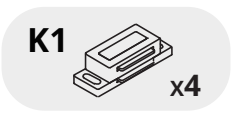
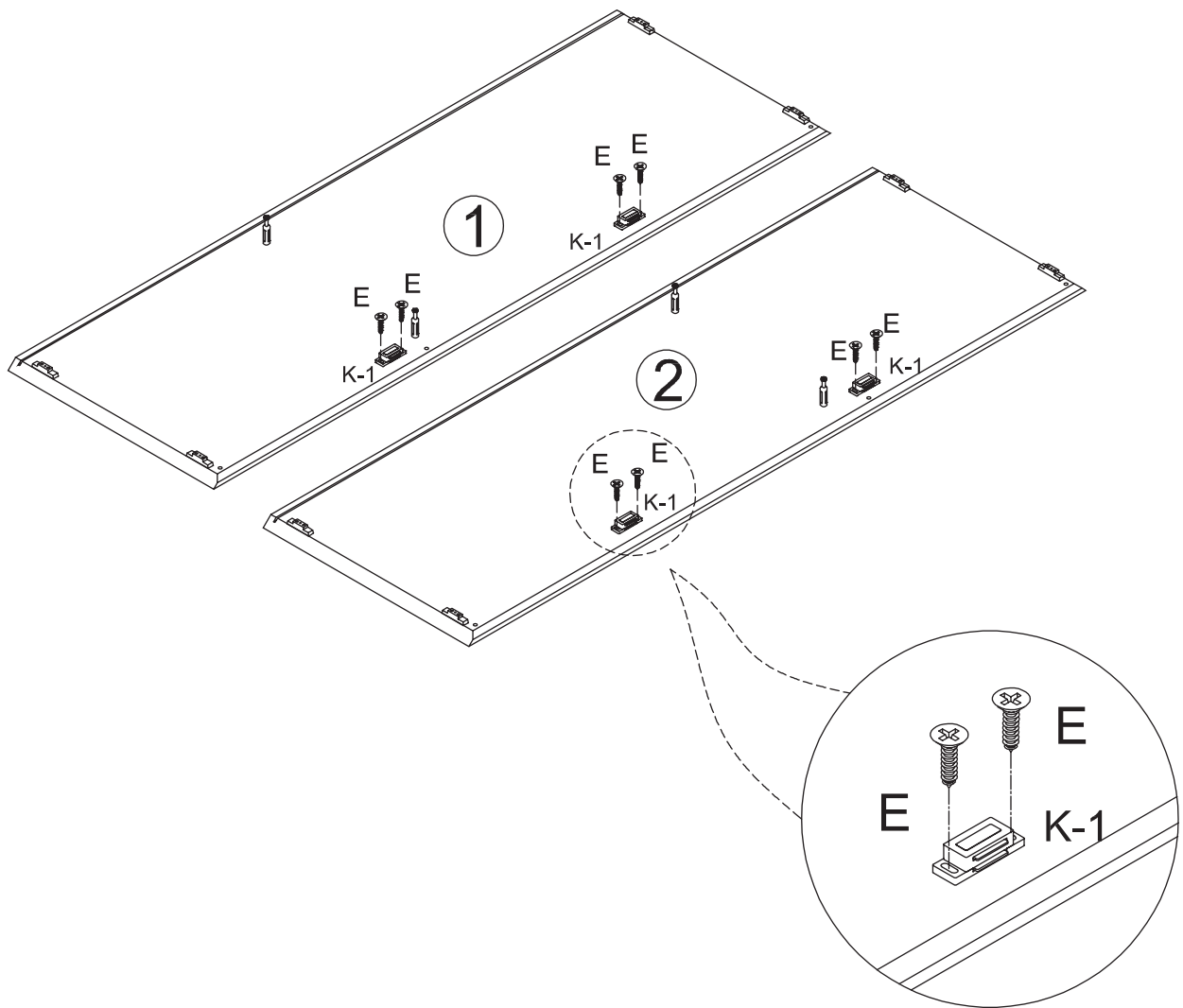
Take out the Top Panel (1) and Bottom Panel (2).

Screw two of Cam Bolts (B) into both the Top Panel (1) and Bottom Panel (2).



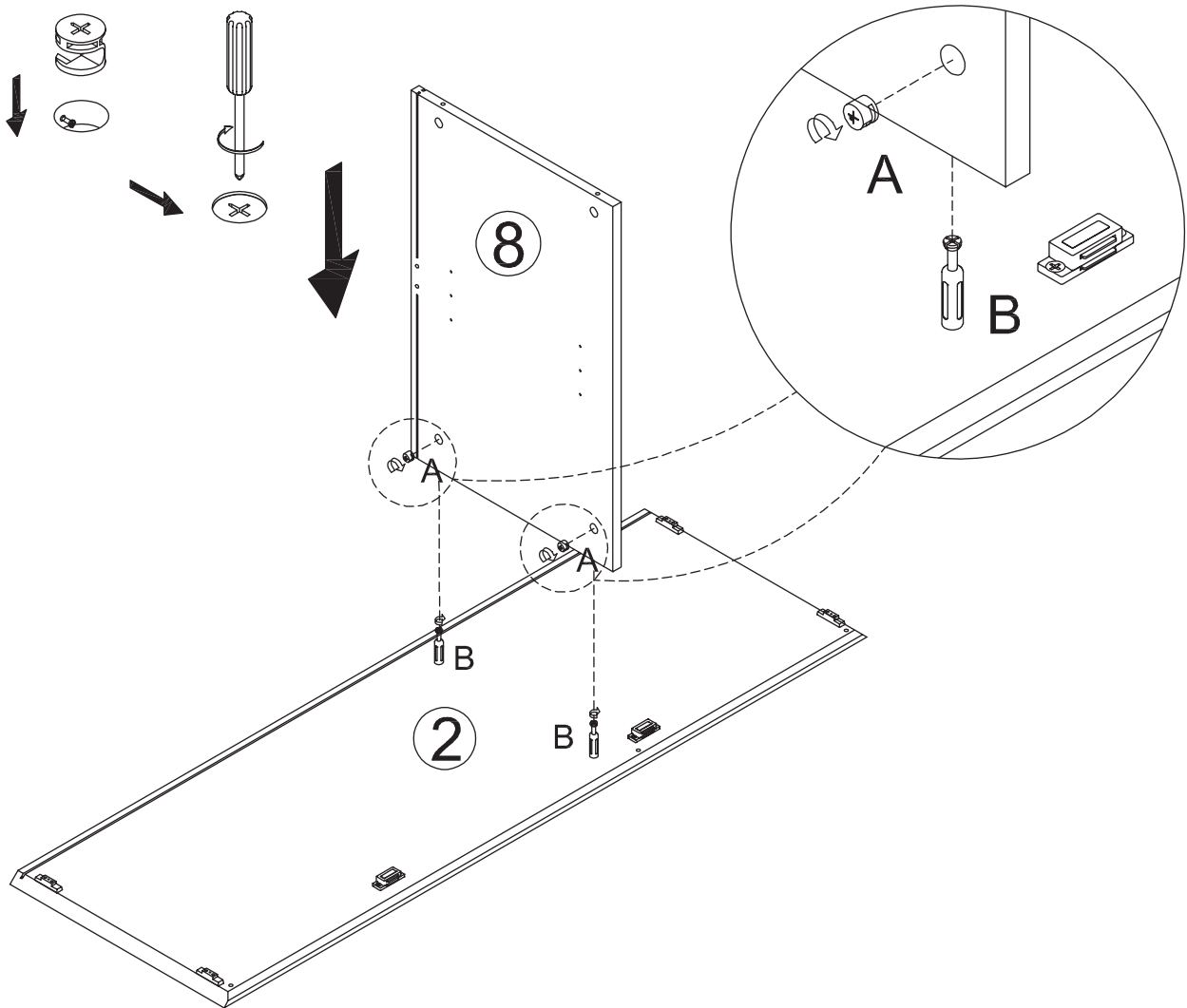
# Step 2

Attach two Magnetic Door Catches (K1) to both the Top Panel (1) and Bottom Panel (2) using the M3\*14mm Screws (E).



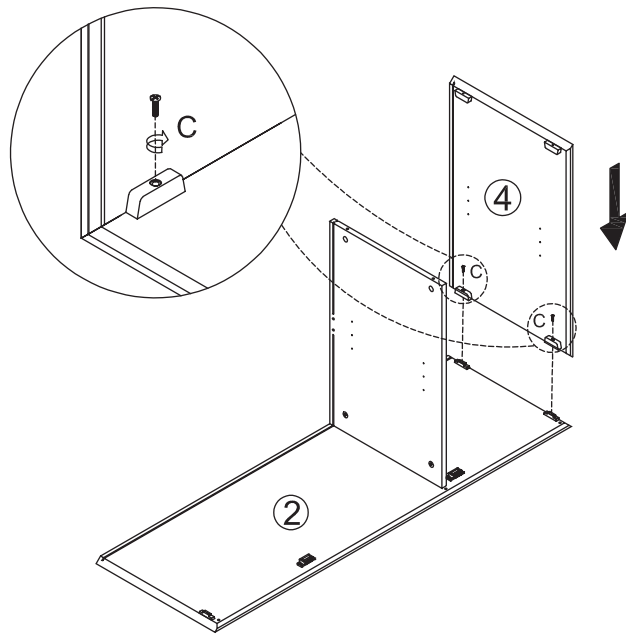
# Step 3

Attach the Middle Side Panel (8) to the Bottom Panel (2) by aligning the holes in the Middle Side Panel (8) with the cam bolt you previously inserted. Secure using the Cam Locks (A).



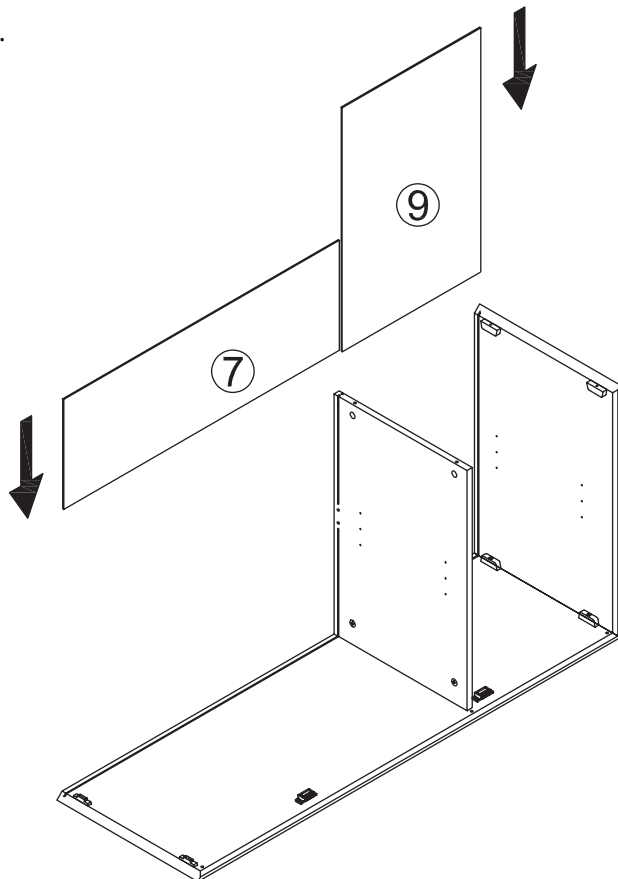
# Step 4

Attach the Right Side Panel (4) to the Bottom Panel (2) by aligning the pre-installed plastic mounting brackets. Secure using the M5\*16mm Screws (C).



# Step 5

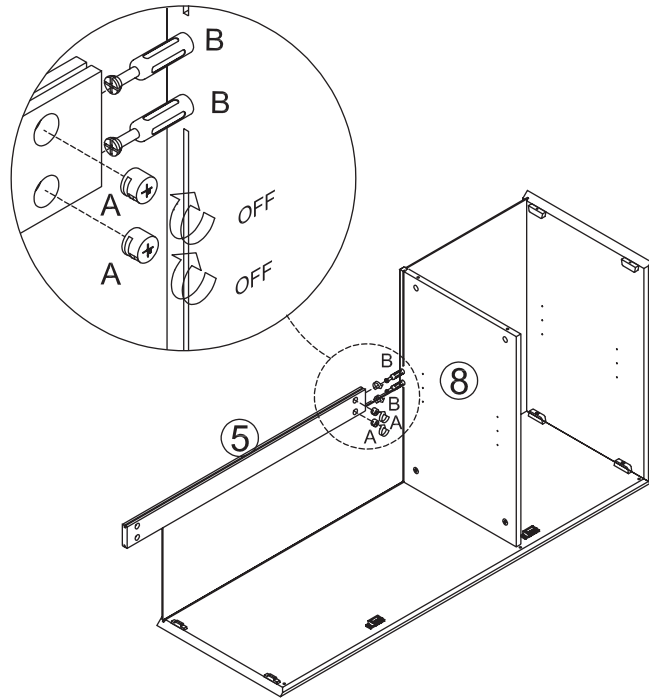
Now, carefully slide in the Back Panels (7) & (9).



# Step 6

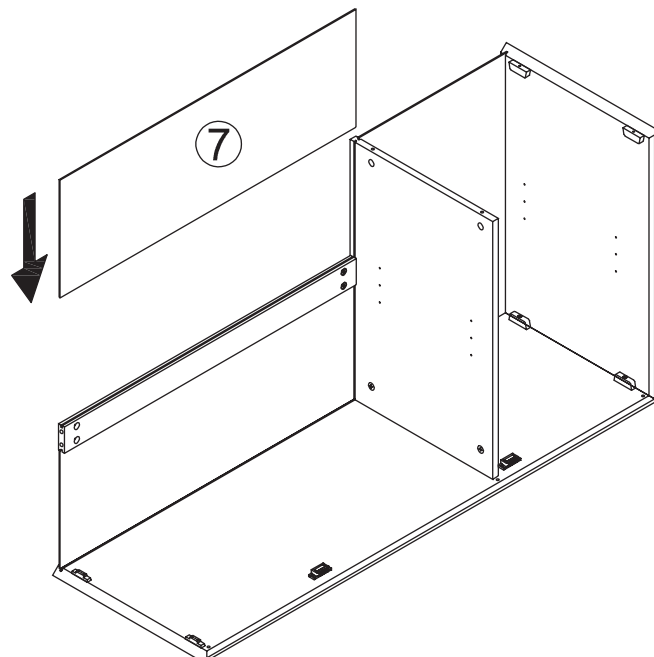
Screw two of Cam Bolts (B) into the Middle Side Panel (8).

Attach the Stretcher (5) to the Middle Side Panel (8) by aligning the holes in the Stretcher (5) with the cam bolt you previously inserted. Secure using Cam Locks (A).



# Step 7

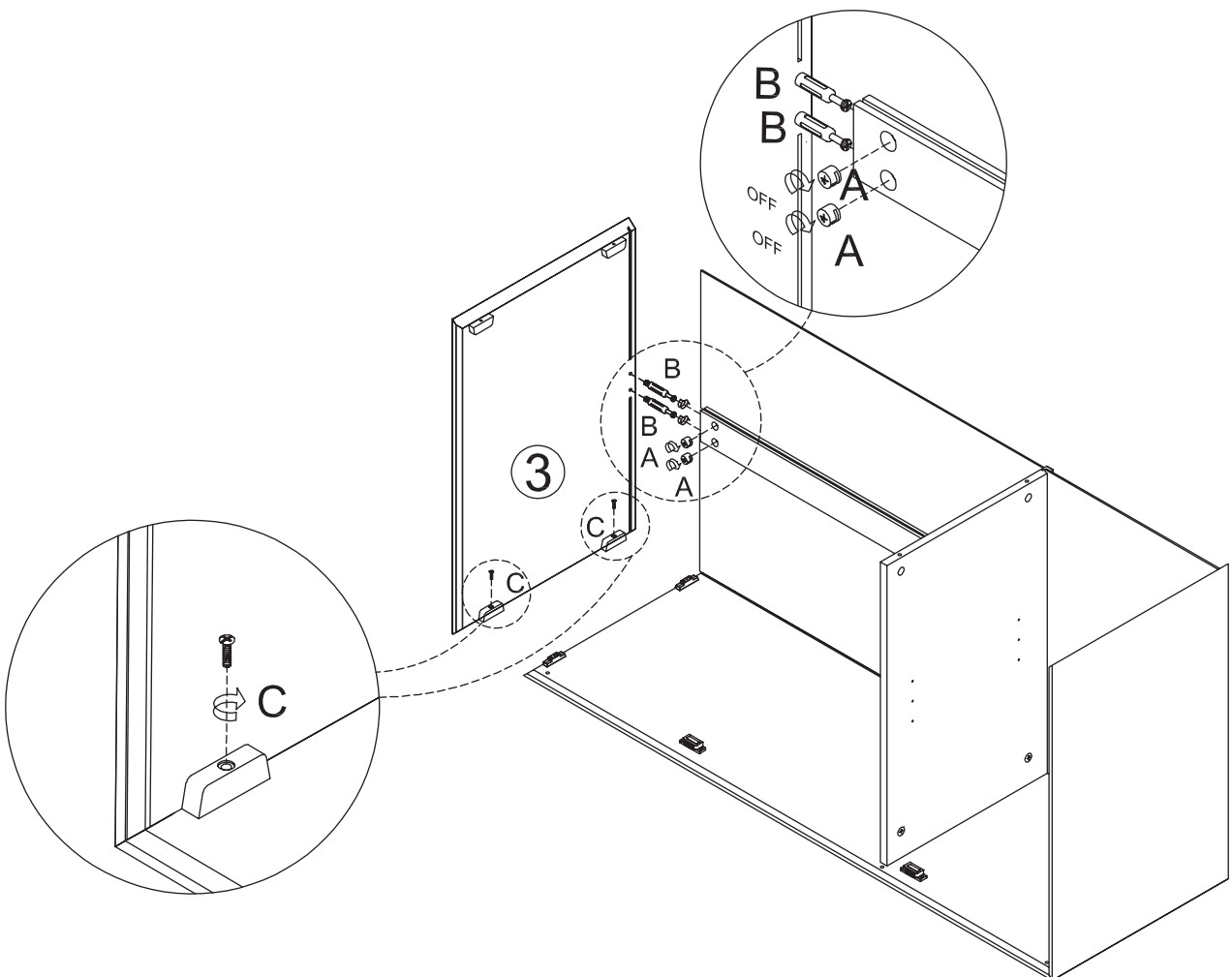
Now, carefully slide in the Back Panels (7).



# Step 8

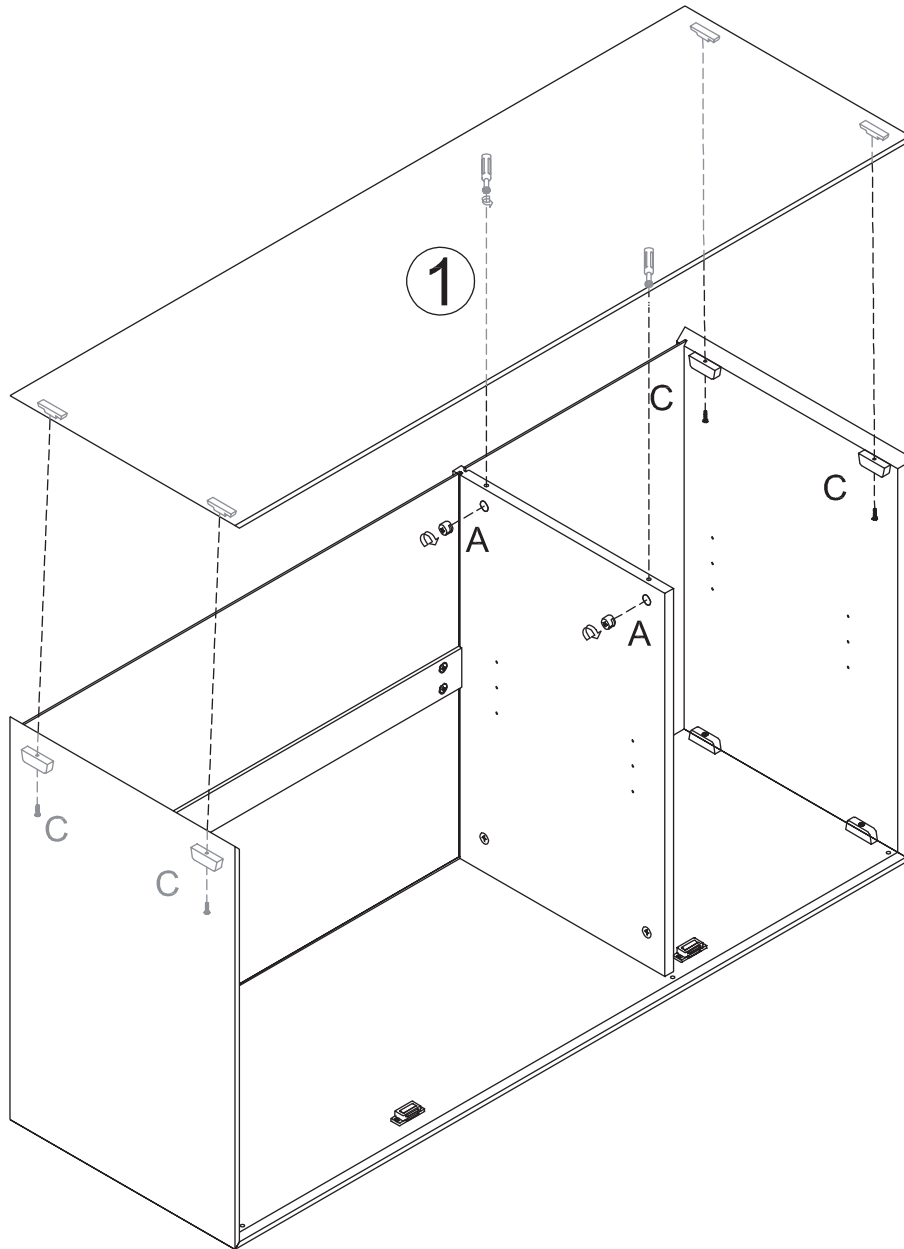
Screw two of Cam Bolts (B) into the Left Side Panel (3).

Attach the Left Side Panel (3) to the assembled unit by aligning the preinstalled plastic mounting brackets and the cam bolt you previously inserted. Secure using Cam Locks (A) and the M5\*16mm Screws (C).



# Step 9

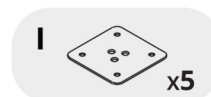
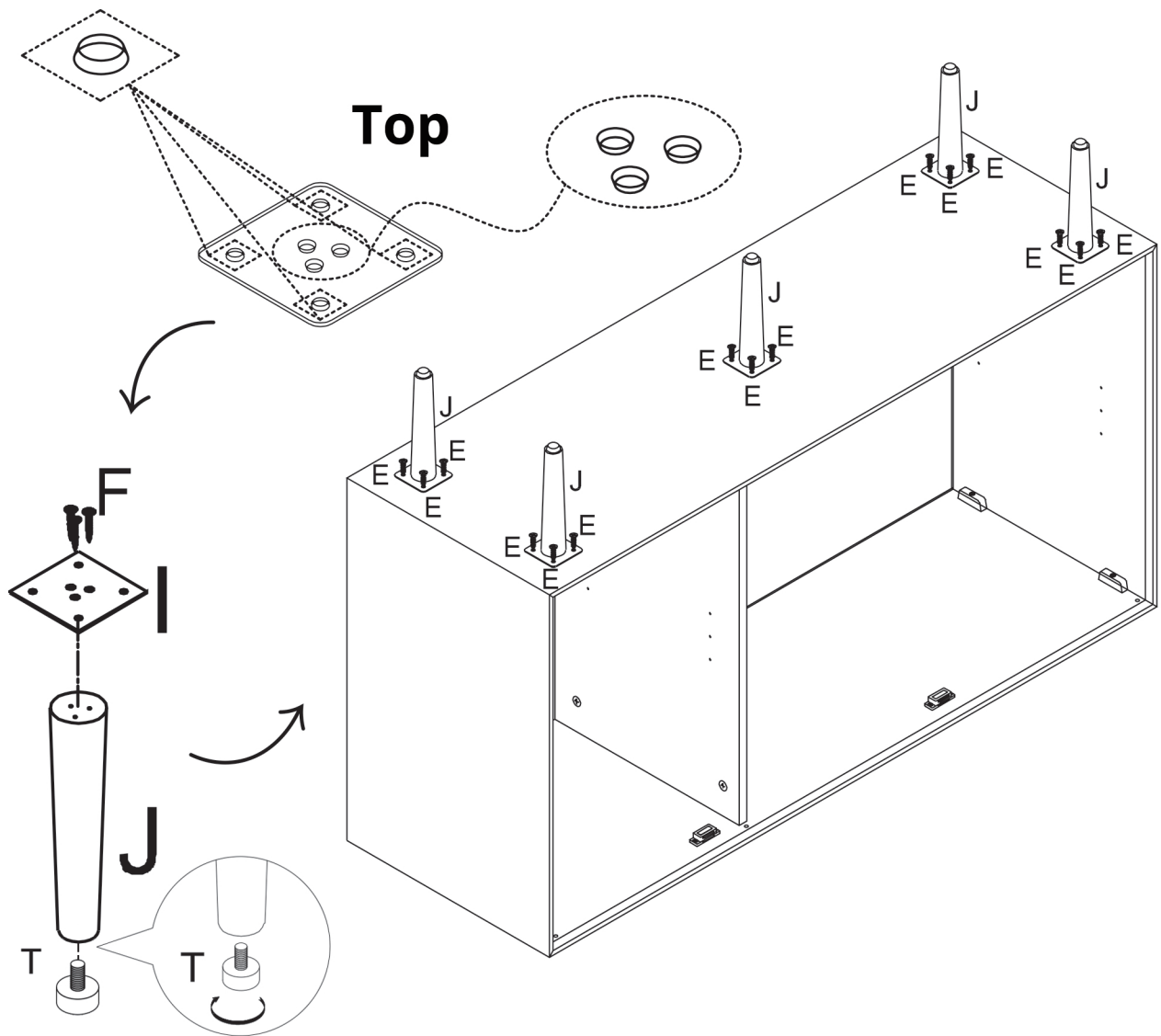
Attach the Top Panel (1) to the assembled unit by aligning the preinstalled plastic mounting brackets and the cam bolt you previously inserted. Secure using Cam Locks (A) and the M5\*16mm Screws (C).



# Step 10

First, install Leg Mounting Plates (I) onto Legs (J) with M3\*20mm Screws (F).

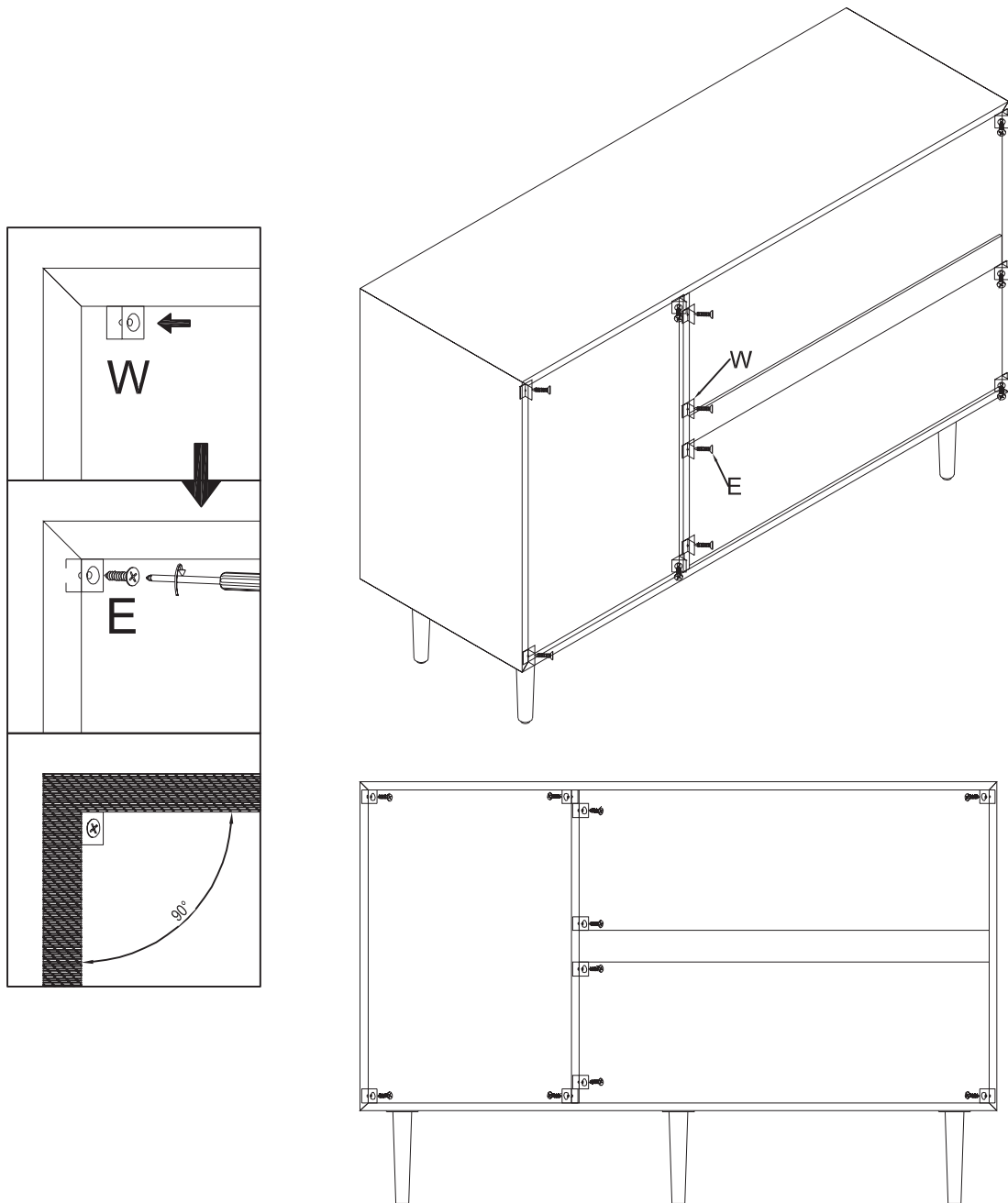
Next, attach assembled legs to the Bottom Panel (2) with M3\*14mm Screws (E).



# Step 11

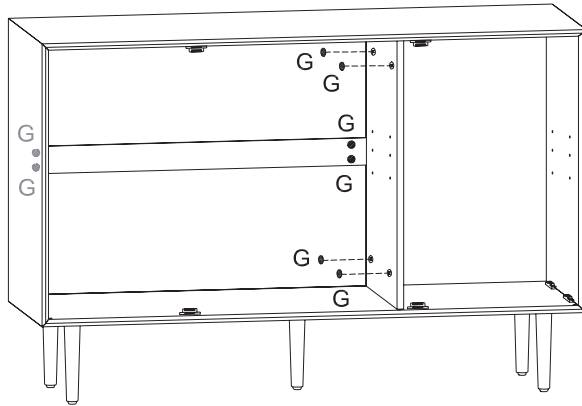
Gently adjust the panels sideways in either direction until the diagonal measurements of the frame are equal.

Holding the assembly in place, fix Wedge (W) with Screw (E).



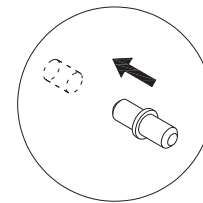
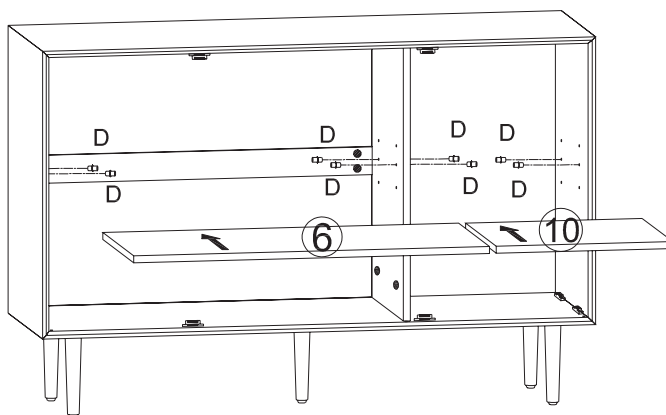
# Step 11

Plug in Screw Stickers (G) to hide the camlock.



# Step 12

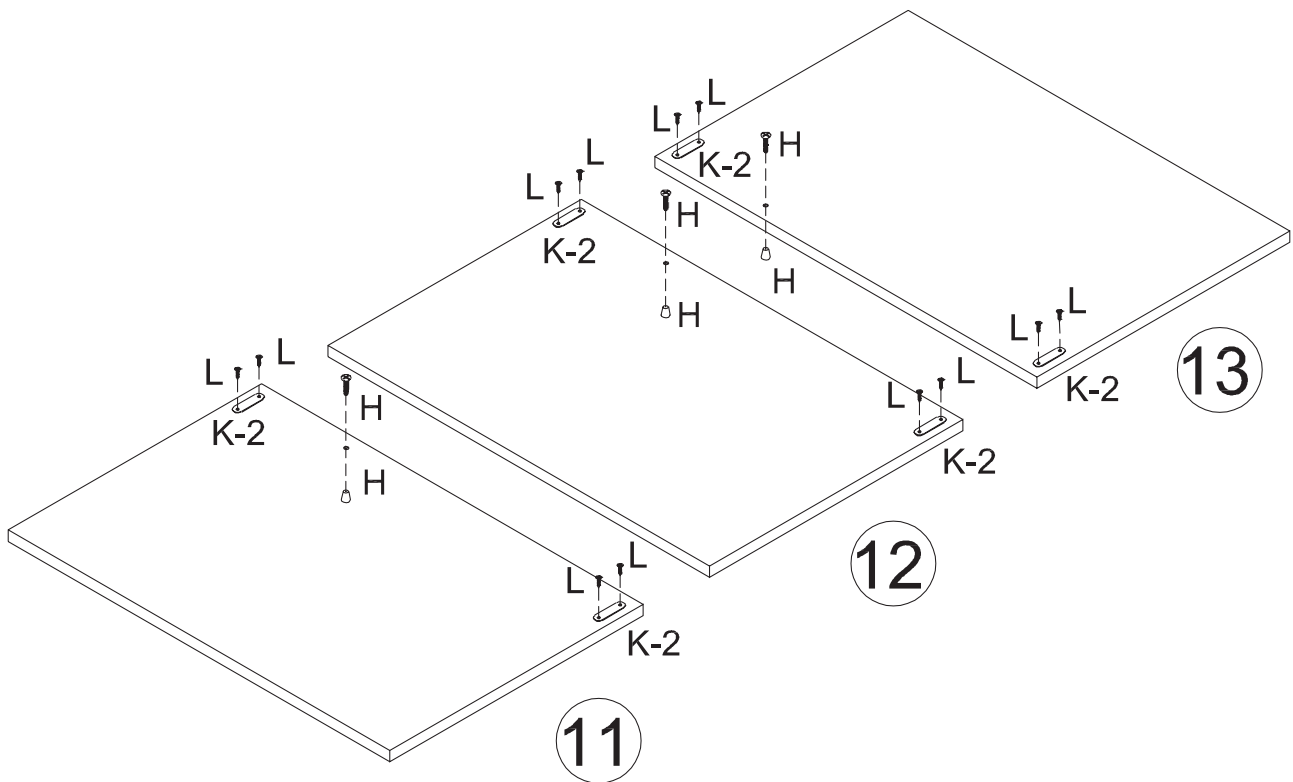
Twist on the Shelf Pins (D) at your desired height and slide the Shelf (6) & (10) into the unit.



# Step 13

First, attach Door Catch Plates (K2) to the top and bottom corners of the Doors using the M3\*16mm Screws (L).

Then, attach the Handles (H) to the doors using screws supplied with the handle.

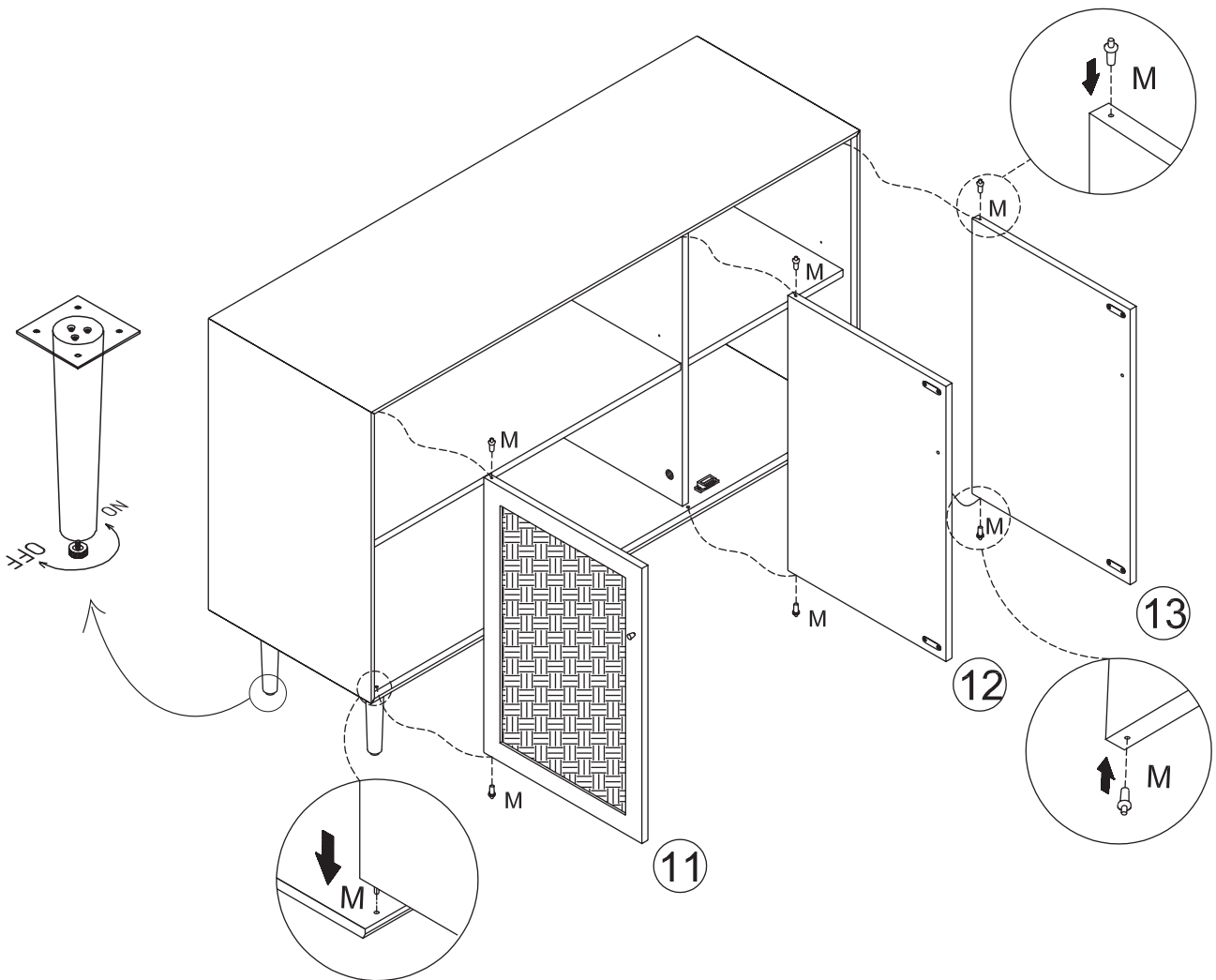


# Step 14

Plug in the Spring-loaded Pins (M) into the holes of the Doors.

Install 3 Doors onto the cabinet by popping the top of the Spring-loaded Pins.

In the event of an imbalance, adjust the leveler on each leg accordingly



# CARE

# INSTRUCTIONS

If treated with respect and love, your furniture will last a long time. Each piece requires light maintenance to maximize its longevity.

## **Here are a few quick tips before using this product:**

- The recommended weight limit for the table top is 50 lbs, and 26 lbs for each storage compartment.
- Avoid uneven weight distribution for a long time as it may cause damage to the product's shape.
- The swing door may not swing smoothly when the table is overloaded by weight.
- Check and tighten the camlock and screw periodically, as it may lose over time.

## **How to take care of it?**

- Avoid direct sunlight or use curtains or blinds to limit sun exposure to the product.
- Clean the product regularly with a dry, soft cloth.
- Avoid using the abrasive or liquid cleanser.
- Spillage may damage the surface. Clean immediately with a dry cloth.
- We recommend using placemats or coasters underneath glasses, cups, bowls, or plates to prevent scratches to the table surface.

Follow the care instructions and look after your furniture; in return, your furniture will look after you.