
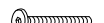








ASSEMBLY INSTRUCTIONS

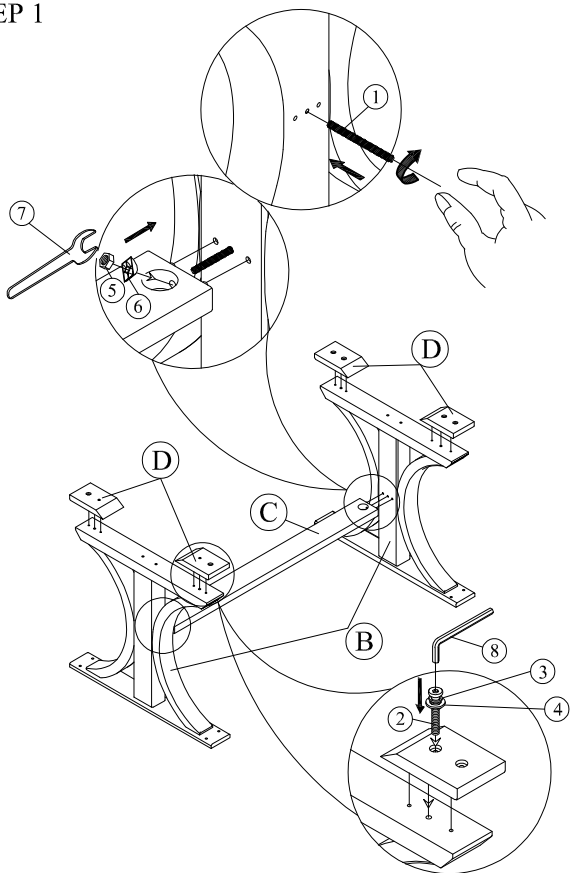
MODEL# : F2703

**KEEP THIS DOCUMENT FOR REFERENCE IN CASE PARTS ARE NEEDED
DO NOT TIGHTEN SCREWS UNTIL COMPLETELY ASSEMBLED !**

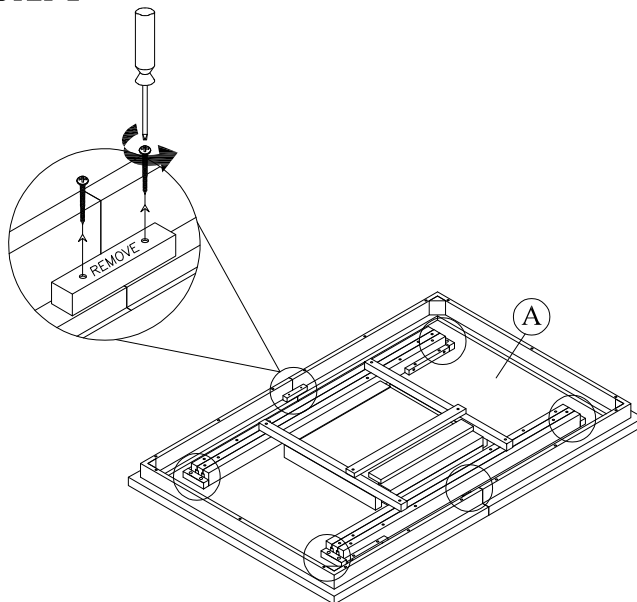
No.	DESCRIPTION	Q'TY
A	TABLE TOP	1pc
B	TABLE LEGS	2pcs
C	TABLE STRETCHER	1pc
D	TABLE BOTTOM LEGS	4pcs

No.	DESCRIPTION	Q'TY
1	FULL THREADED BOLT (5/16"x3-1/4") 	2pcs
2	BOLT (5/16"x1-1/2") 	12pcs
3	SPRING WASHER (5/16") 	8pcs
4	METAL WASHER (5/16") 	8pcs
5	NUT (5/16") 	2pcs
6	PAT MOON (5/16") 	2pcs
7	BOLT WRENCH 	1pc
8	ALLEN KEY 	1pc

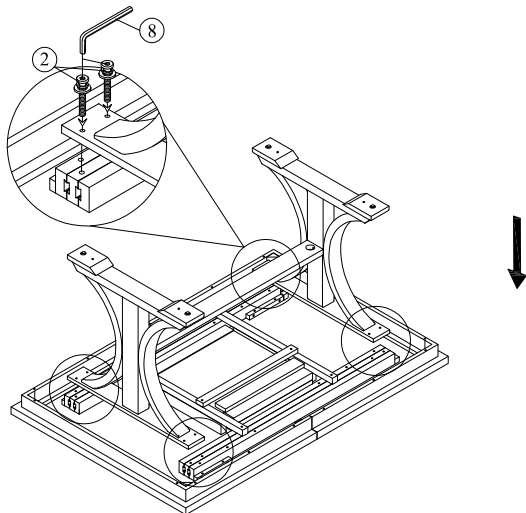
STEP 1



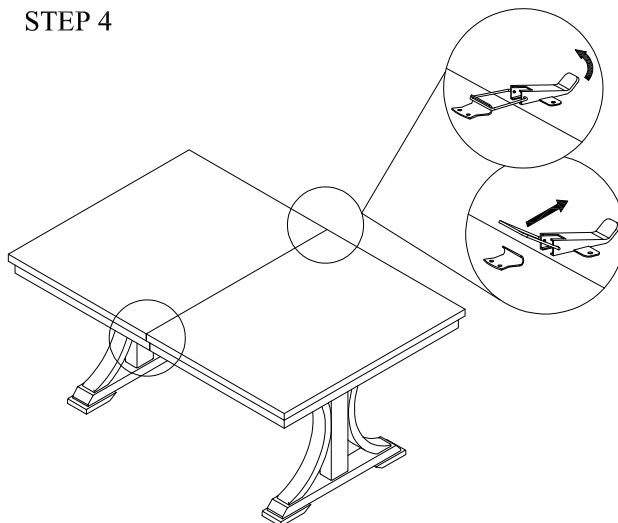
STEP 2



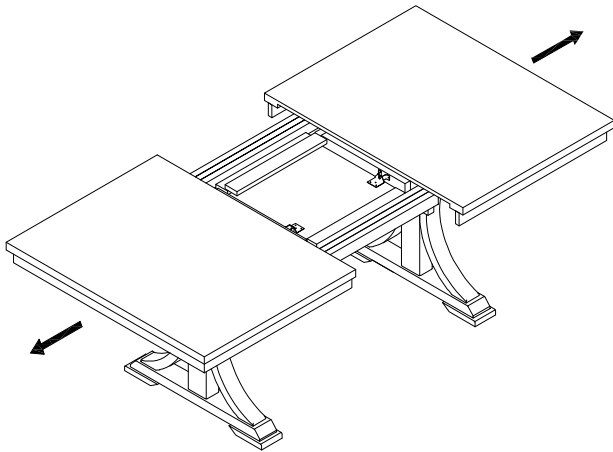
STEP 3



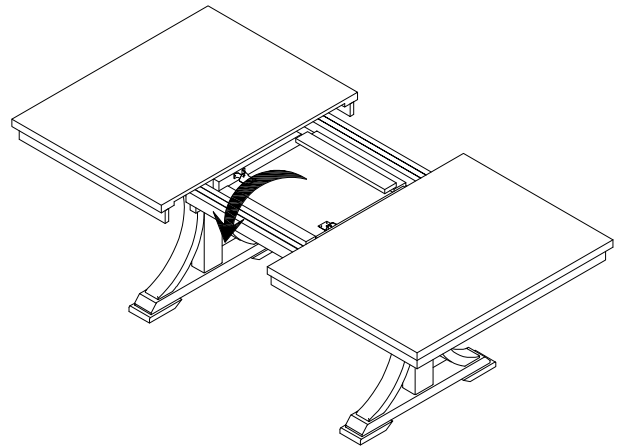
STEP 4



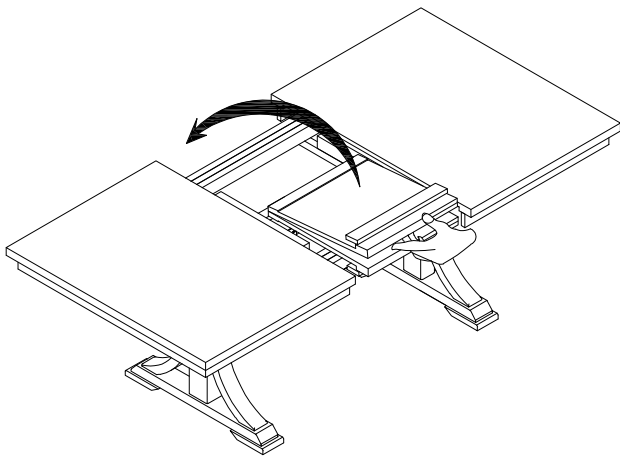
STEP 5



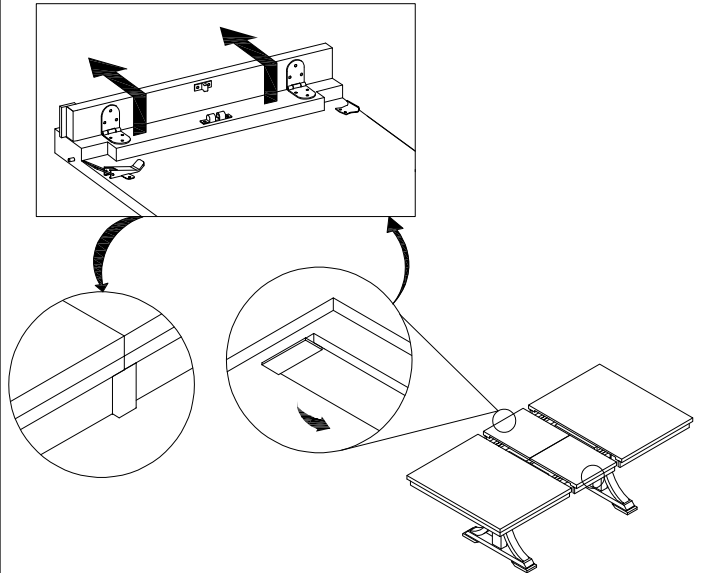
STEP 6



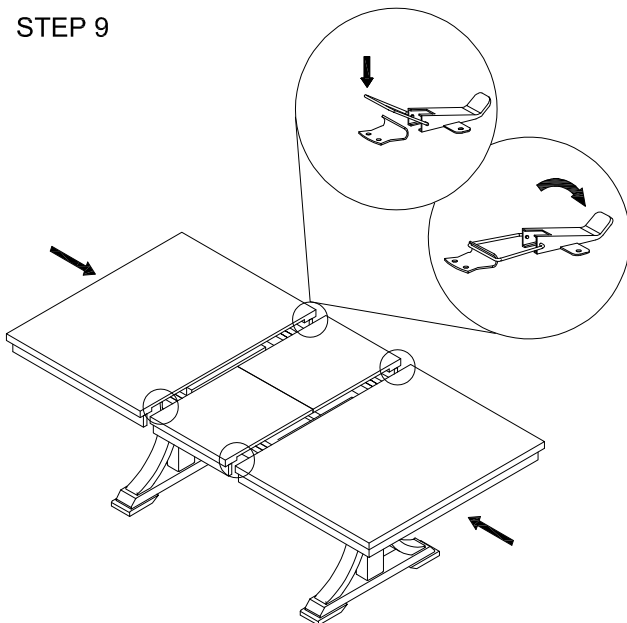
STEP 7



STEP 8



STEP 9



STEP 10

