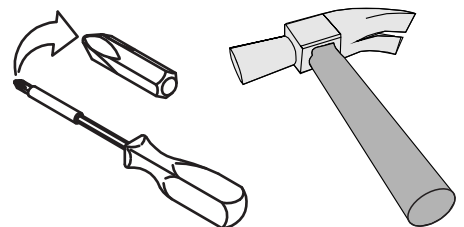
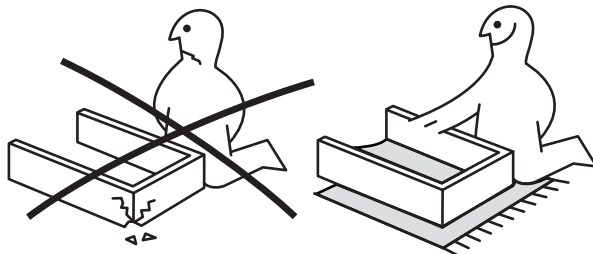
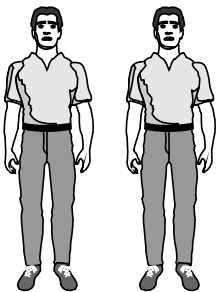
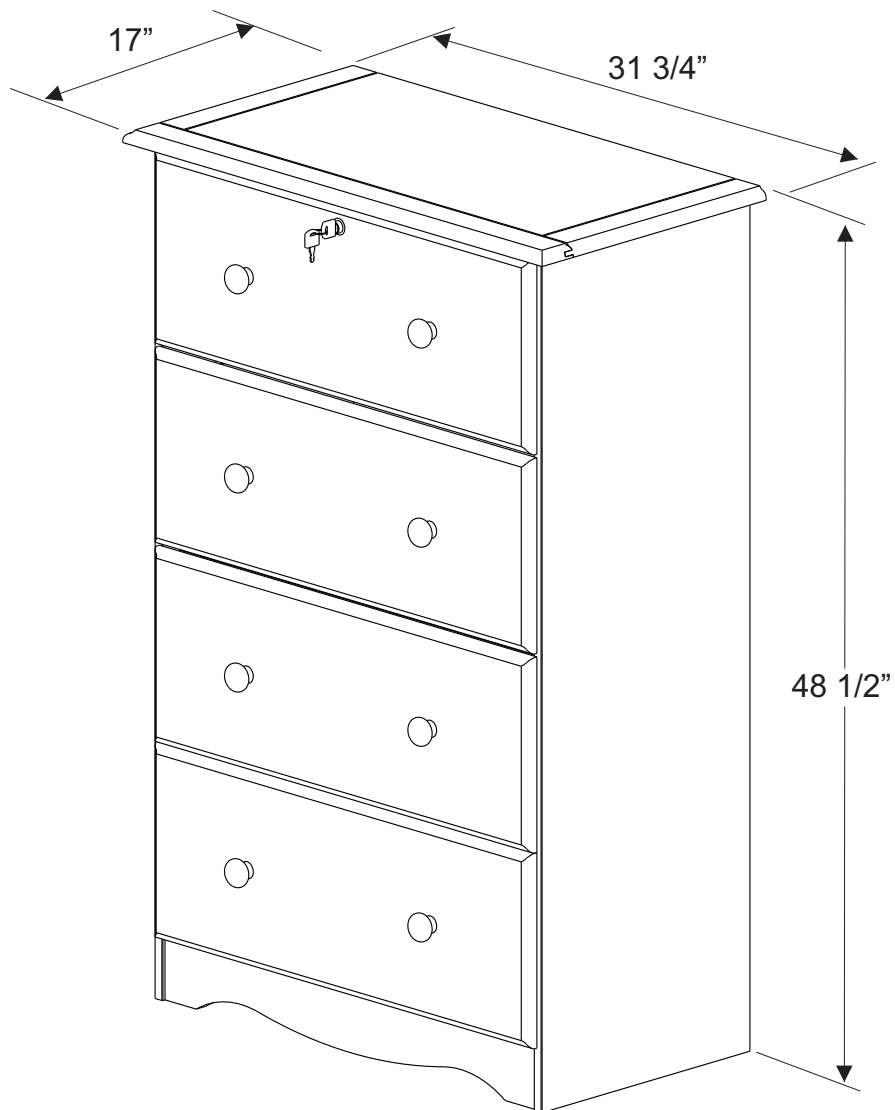


ASSEMBLY INSTRUCTIONS

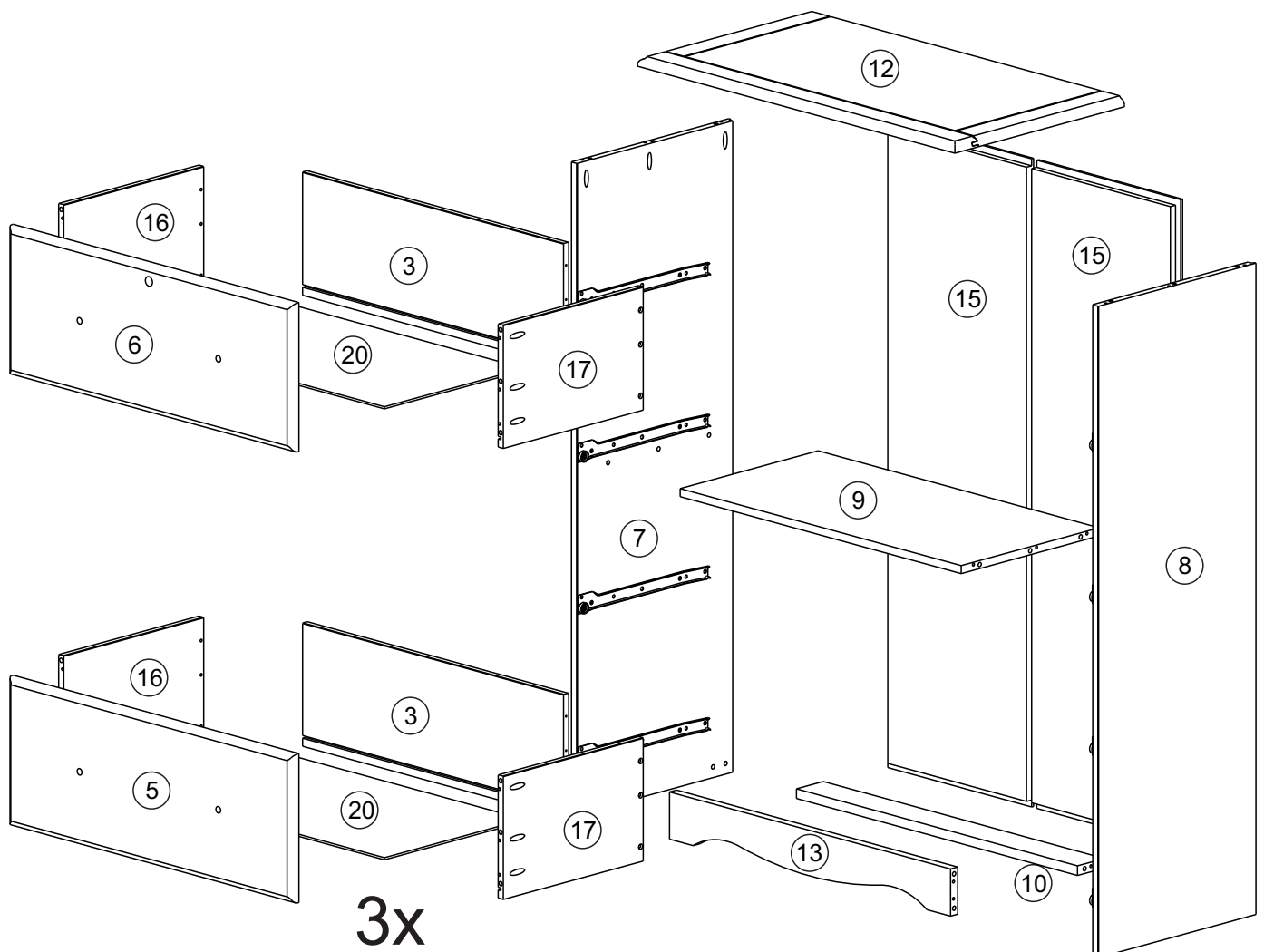
4 DRAWER SUPER JUMBO CHEST



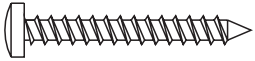

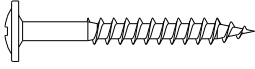


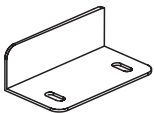
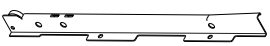
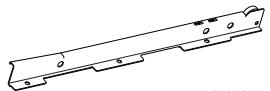
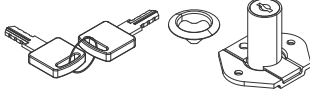
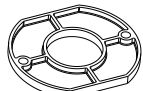

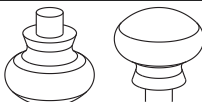
IMPORTANT:

READ THESE INSTRUCTIONS CAREFULLY BEFORE ATTEMPTING TO ASSEMBLE OR USE YOUR FURNITURE.

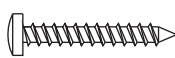
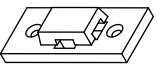

- Please keep these instructions for future reference.
- Always check that the product is free from damage before use. Do not use your product if any damage is present.
- On unpacking the item you may notice an odour due to the production process. However, this will disappear after a period of time.
- Before you to assemble your product, first check if there are any missing or damaged parts.
- Do Not throw away packaging material until assembly is complete.
- If you organize the items by parts, you'll find it much easier to grab each piece as you build.
- It is best to use any tools the kit provides, such as a hex key, because they may be specially sized for that piece of furniture. We do not recommend the use of power drill, it can damage your furniture if not used correctly.
- This product it should be assembled as near as possible to the point of use. Take care when lifting to avoid personal injury and (or) damage to the product.
- To avoid damages assemble the item on a soft, clean surface.
- Always use on a level, even surface It is recommended that two people handle and assemble the item.
- Do not place the item next to a radiator or direct sunlight – this item is manufactured in pine but is susceptible to temperature change. It is recommended an even room temperature be maintained with no sudden fluctuations.



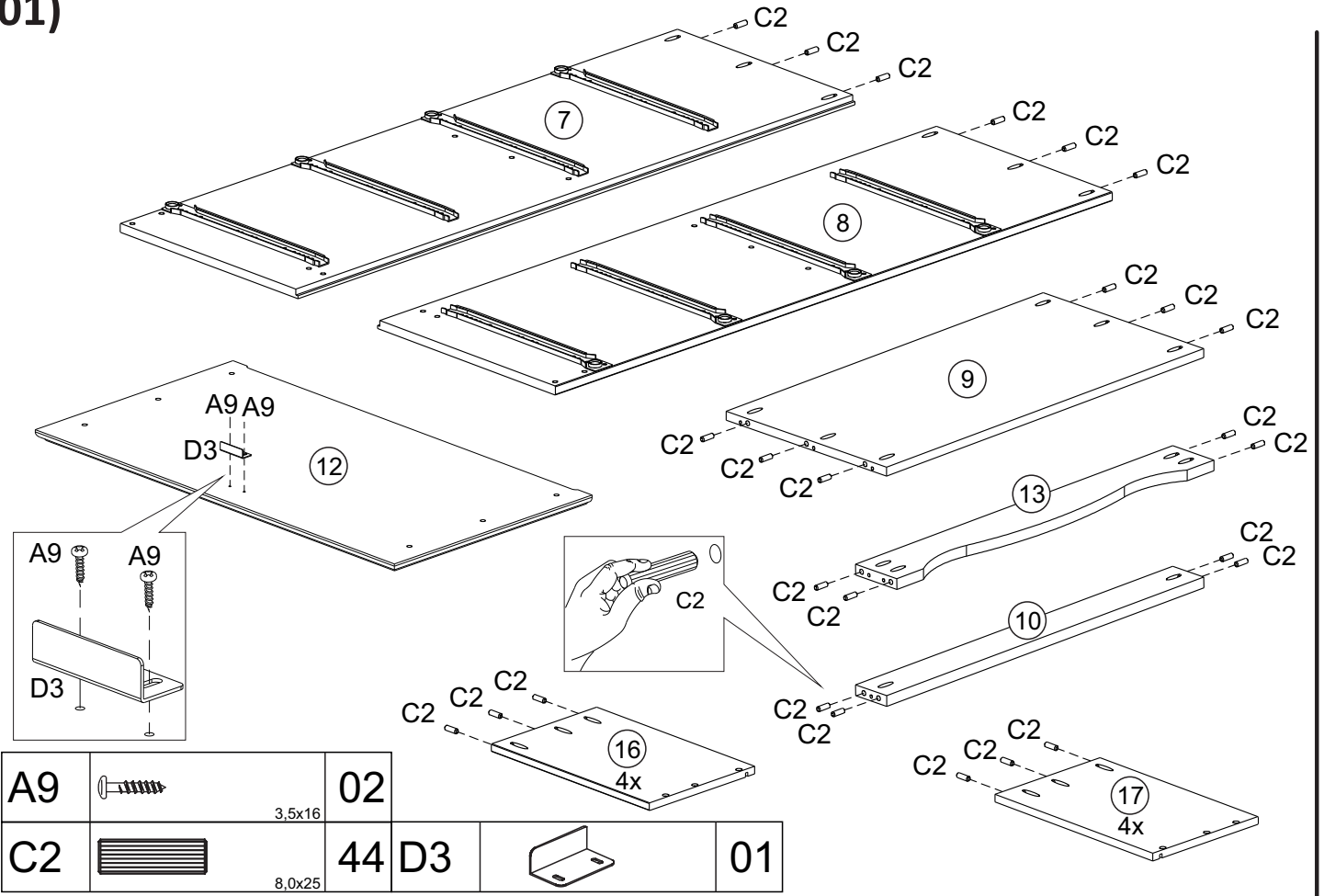
SCREWS ARE SHOWN IN ACTUAL SIZE

A1	 4,0x30	68+3
A9	 3,5x16	22+1
A41	 4,0x30	08+1
A42	 4,0x14	16+1
C2	 8,0x25	44+2
D3		01
E1	 330mm - 13"	04
E2	 330mm - 13"	04
F1		01
F2		01
G1	 10x10	32
H1		08

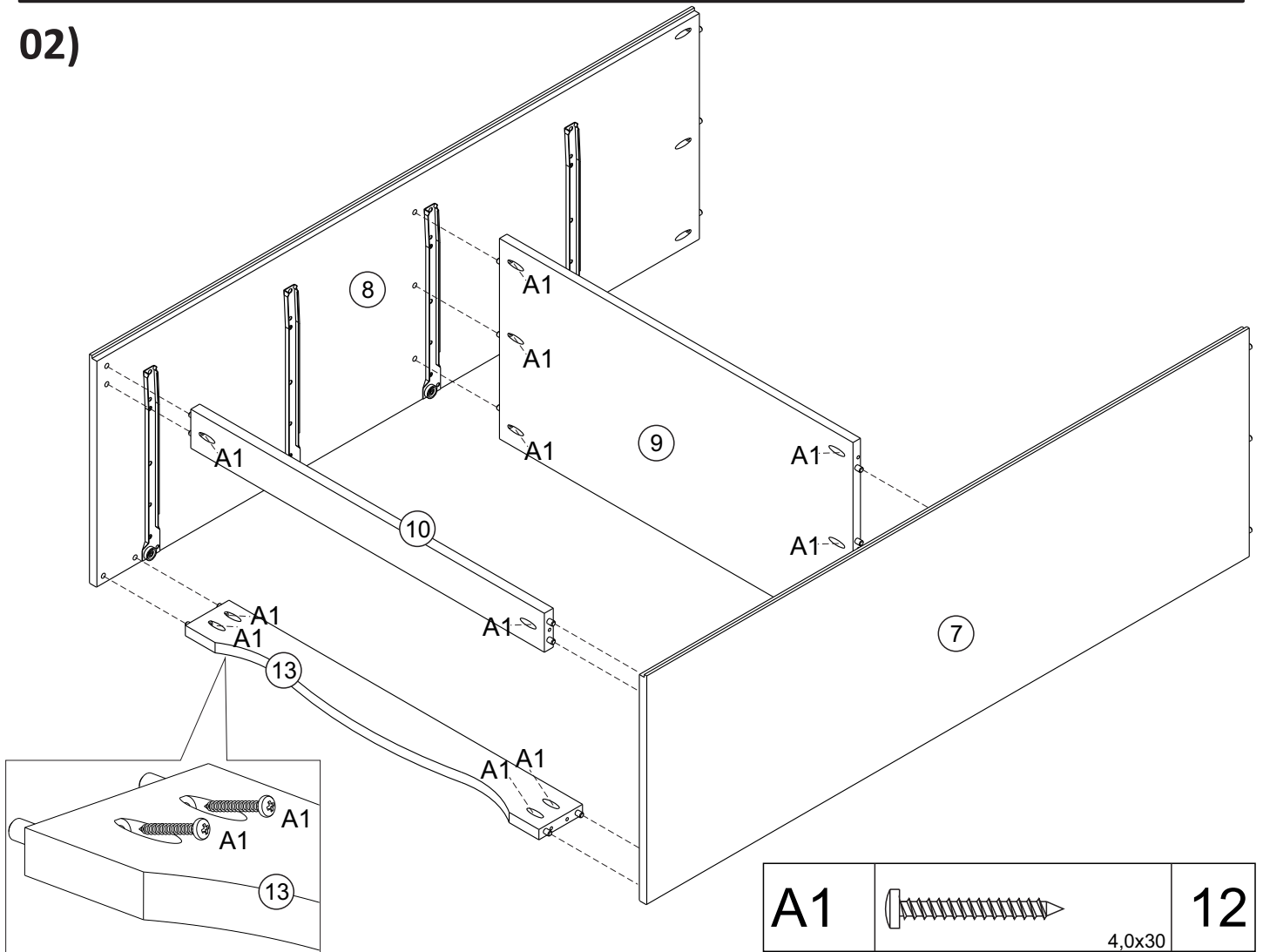
WARNING:
 **CHOKING HAZARD**
 - Small Parts, not for Children.
 To be Assembled by an Adult.

FURNITURE ANTI-TIPPING RESTRAINT KIT		
A8	 3,0x20	02 + 1
F8		02
F9		01

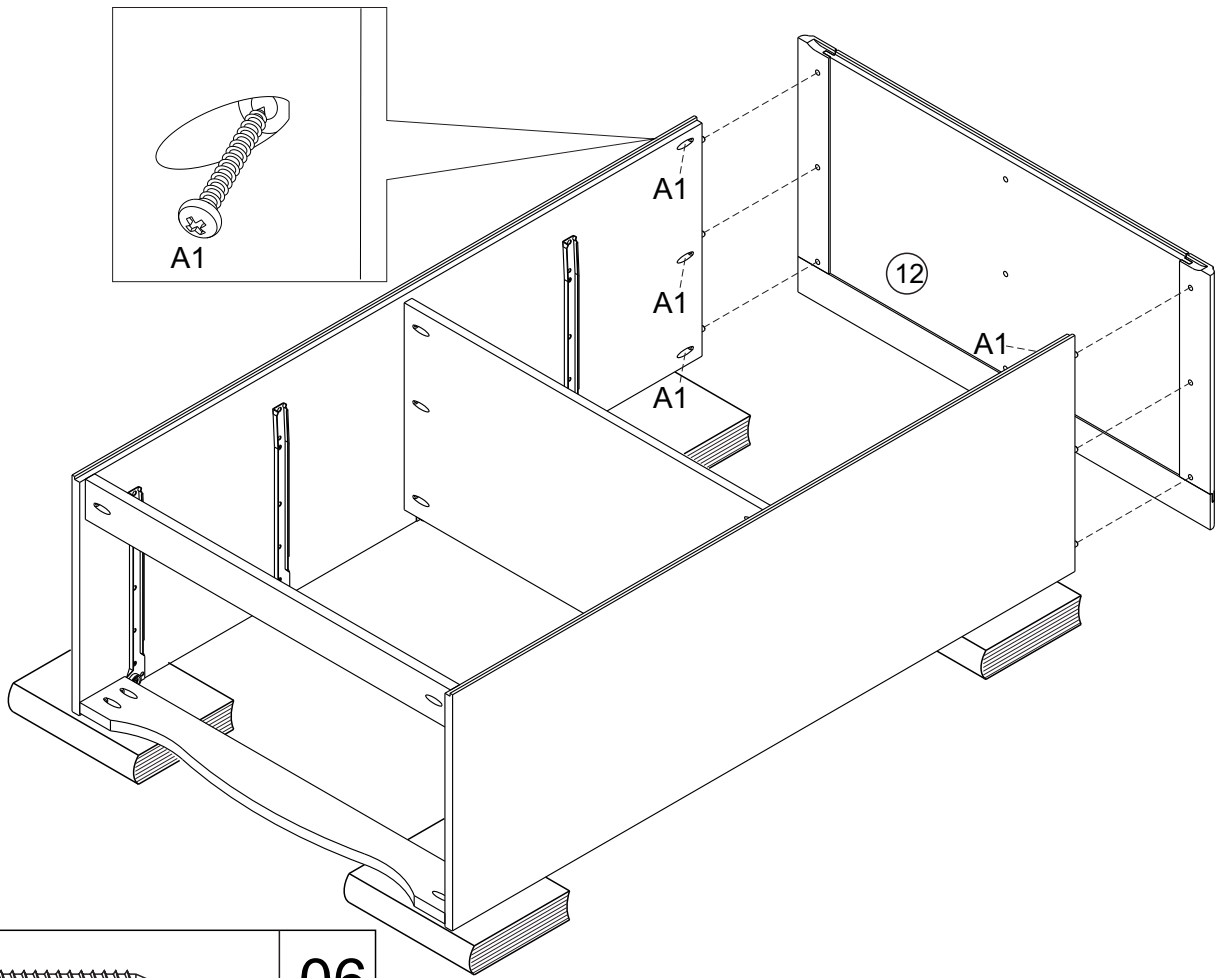
01)



02)



03)



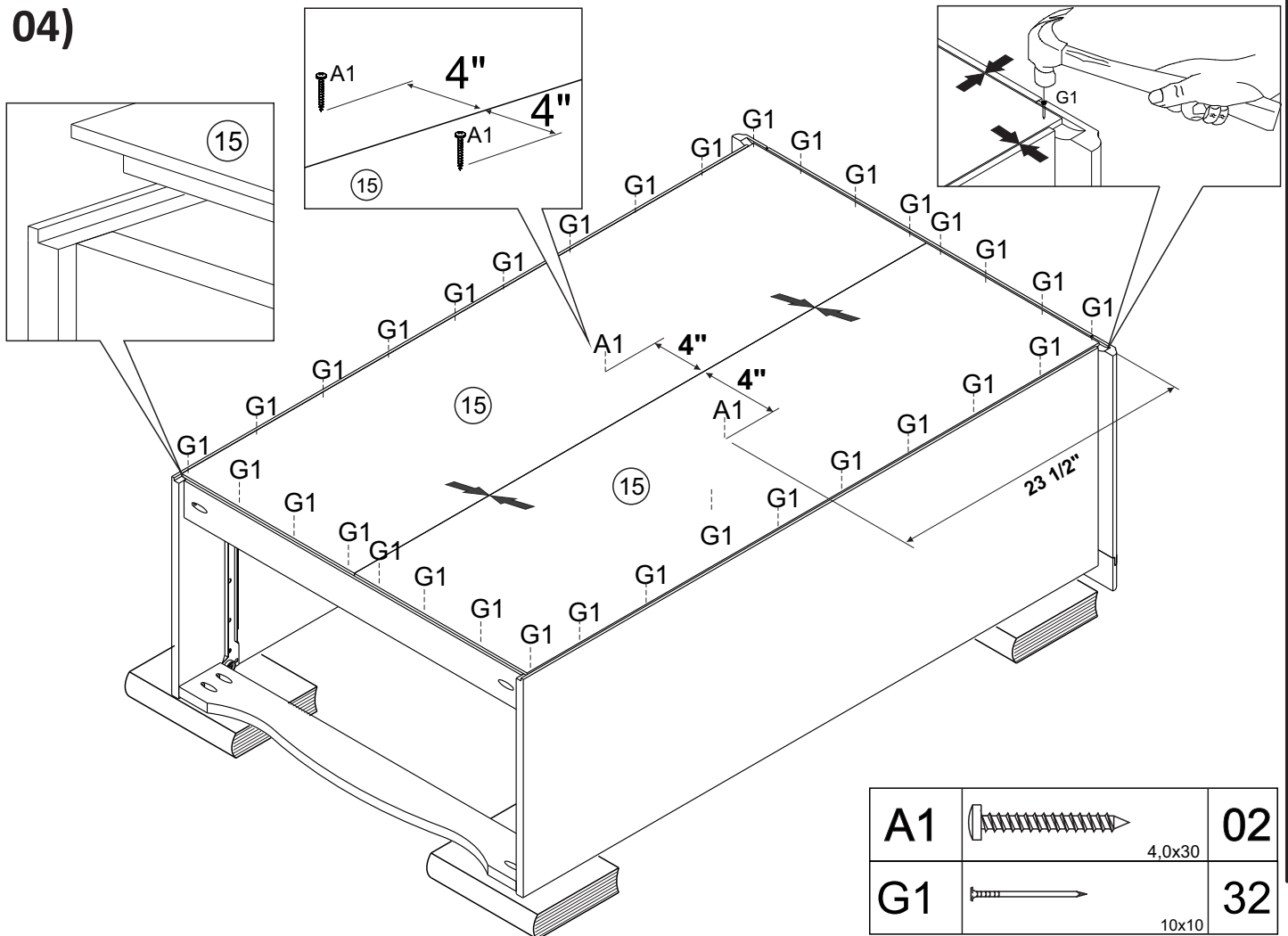
A1



4,0x30

06

04)



A1



4,0x30

02

G1



10x10

32

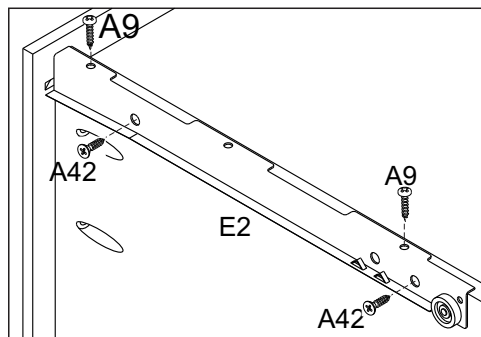
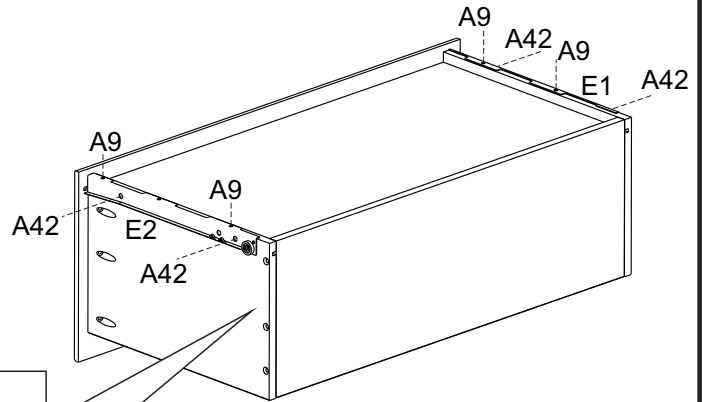
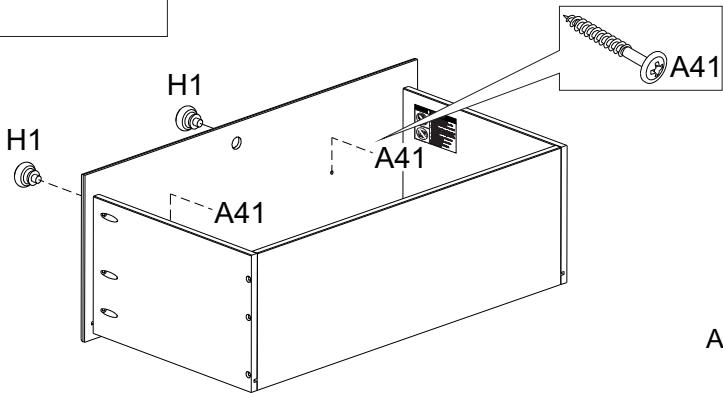
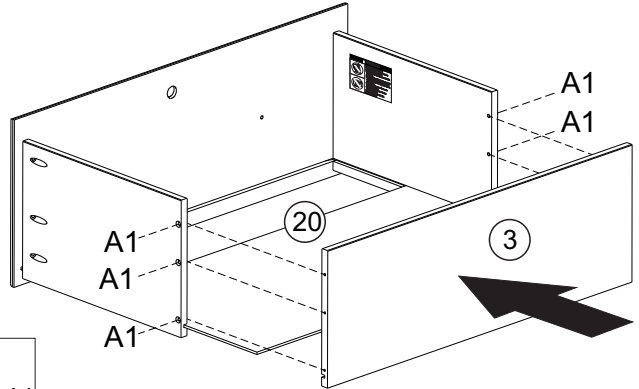
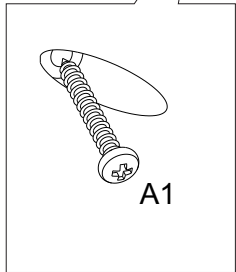
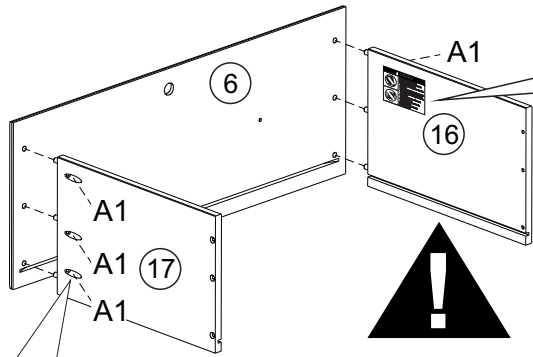
05)



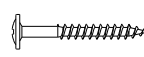
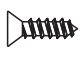




WARNING

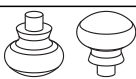
Children have died from furniture tipover. To reduce the risk of furniture tipover:

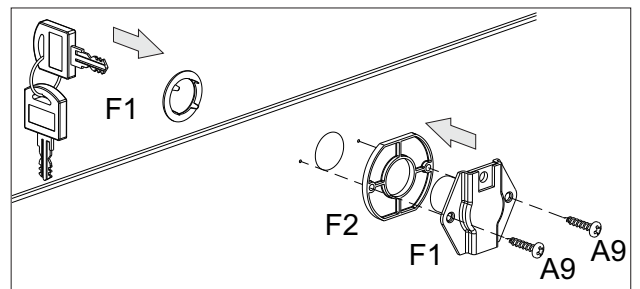
- ALWAYS install tipover restraint provided.
- NEVER put a TV on this product.
- NEVER allow children to stand, climb or hang on drawers, doors, or shelves.
- NEVER open more than one drawer at a time.
- Place heaviest items in the lowest drawers.

This is a permanent label. Do not remove!

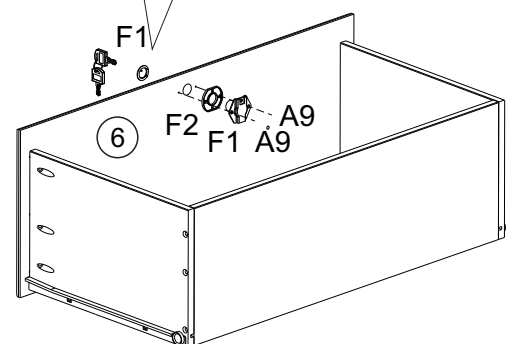


A1		12	4,0x30
A9		06	3,5x16
A41		02	4,0x30
A42		04	4,0x14
E1		01	330mm - 13"
E2		01	330mm - 13"
F1		01	
F2		01	

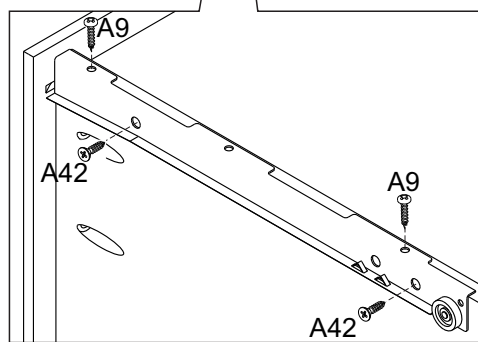
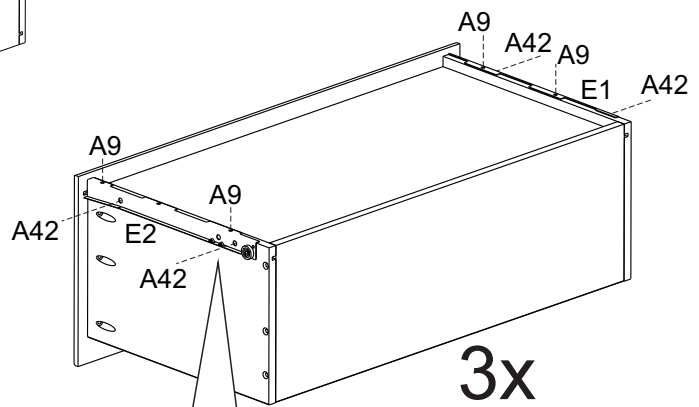
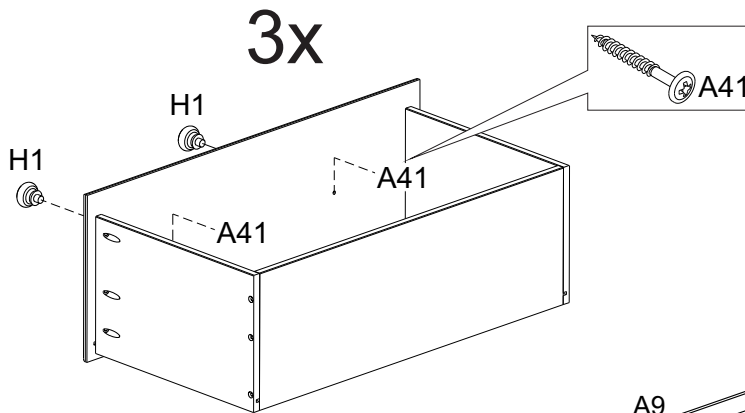
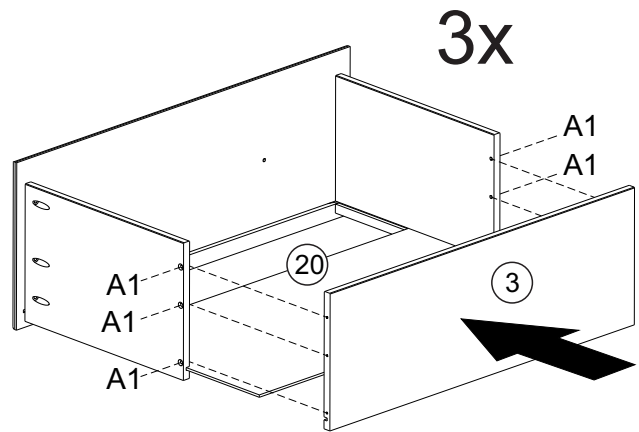
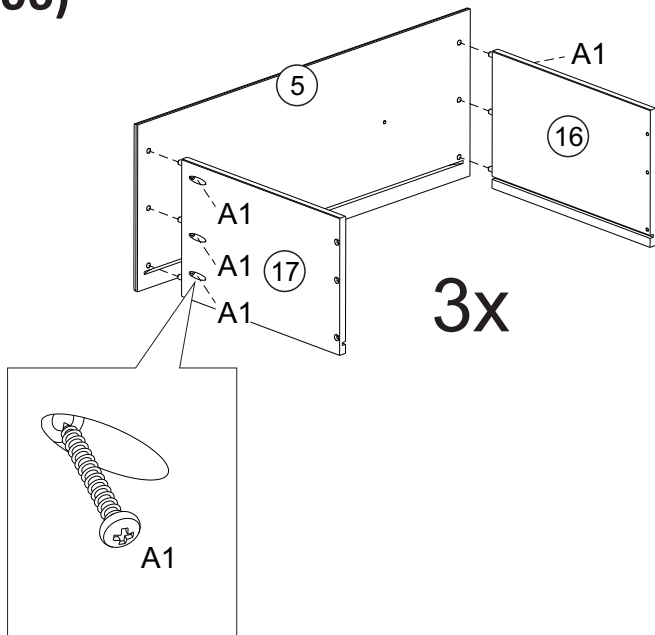
H1		02
----	---	----










1x



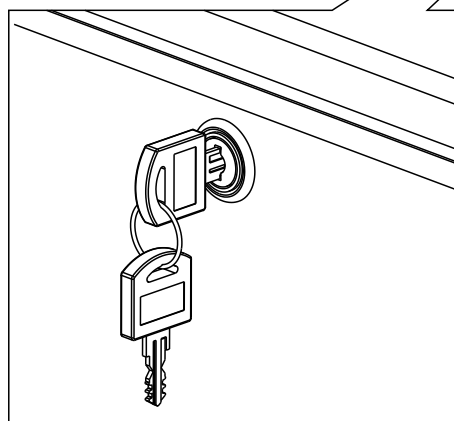
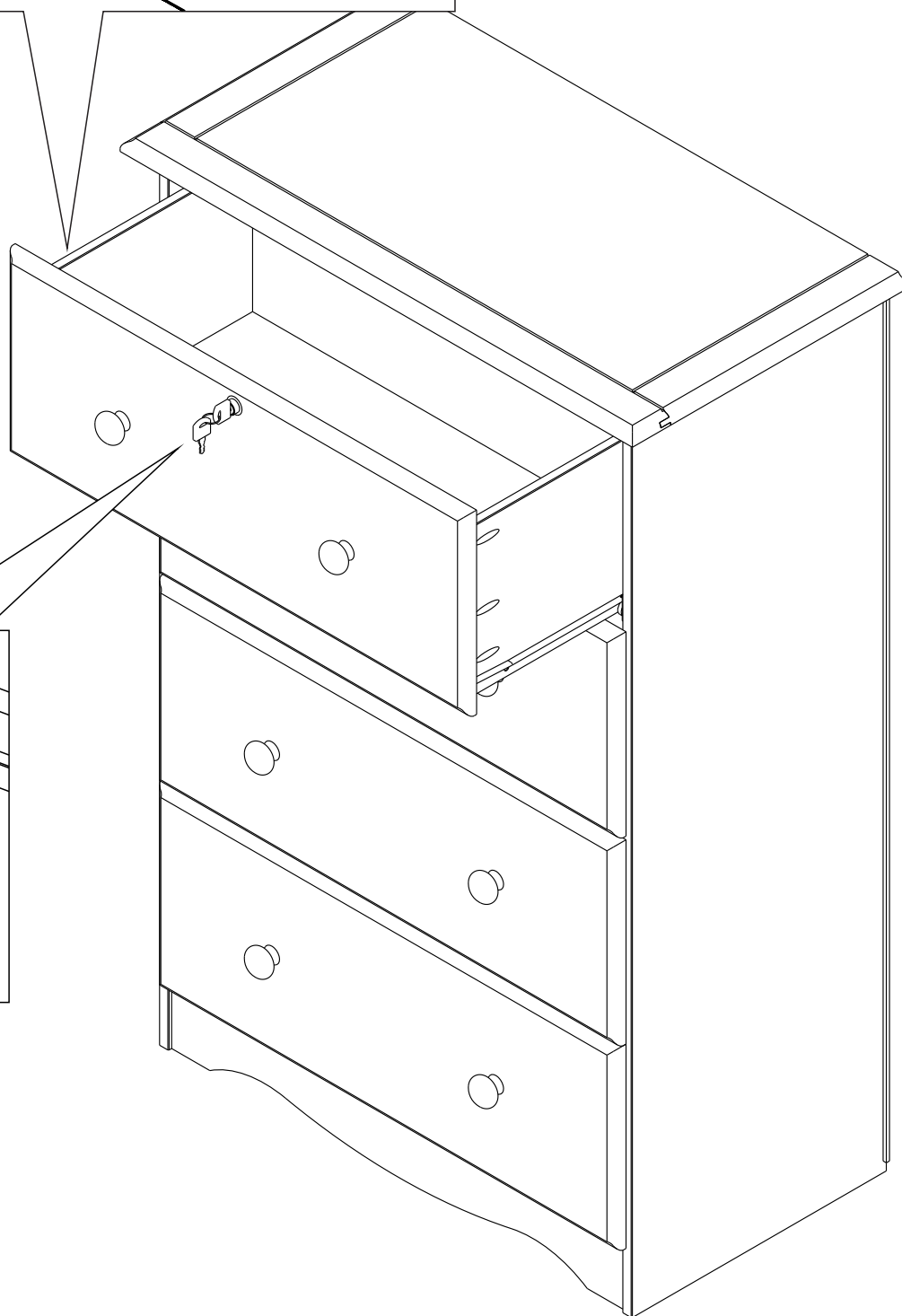
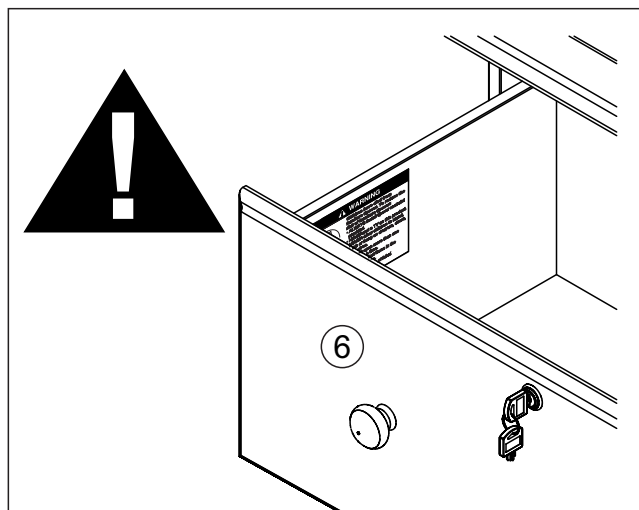
06)



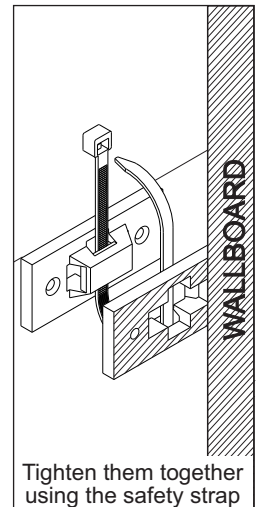
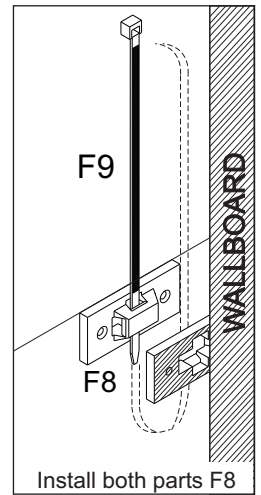
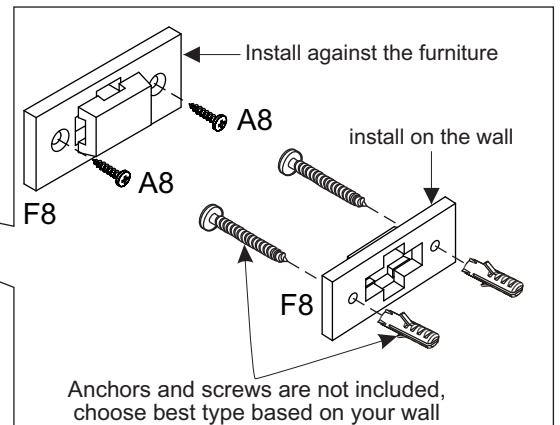
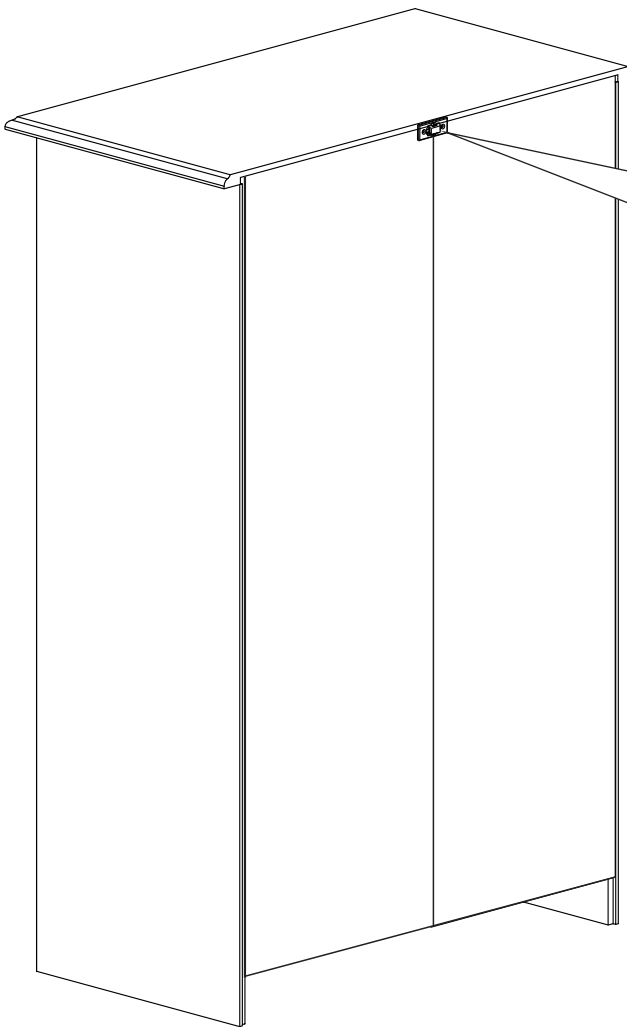
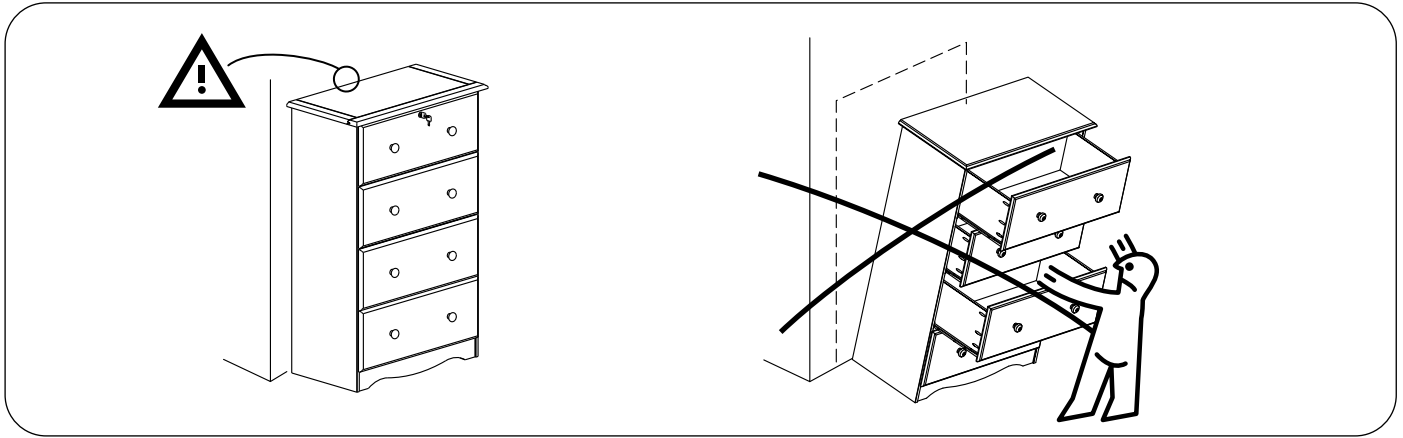
A1		36
	4,0x30	
A9		12
	3,5x16	
A41		06
	4,0x30	
A42		12
	4,0x14	
E1		03
	330mm - 13"	
E2		03
	330mm - 13"	
H1		06


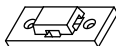

07)

Place the labeled drawer on the top position



08) FURNITURE ANTI-TIPPING RESTRAINT KIT



A8	 3.0x20	02
F8		02
F9		01