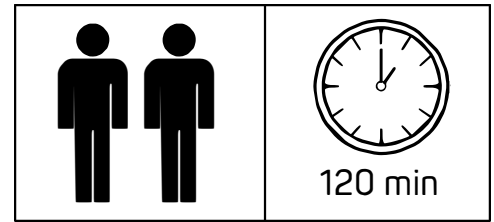
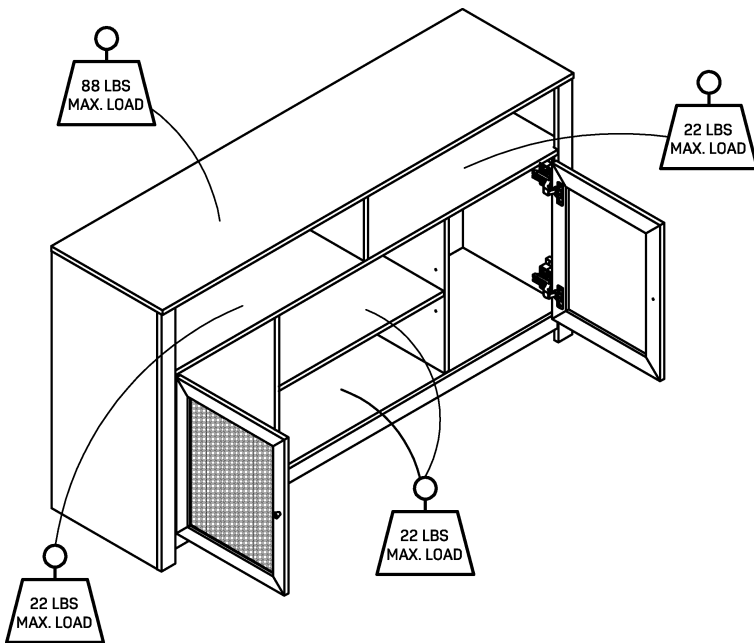


Thank you for your purchase!



## BUFFET TV STAND WITH STORAGE

# ASSEMBLY INSTRUCTIONS

### **Before You Begin: Phillips screwdriver required for assembly ( Not included)**

Please identify all component parts and hardware pieces required before you begin. Carefully remove all of the components from the packaging and set aside for assembly. Assemble on a soft surface to prevent scratching during assembly.

### **Caution:**

Tighten all components securely before use. Failure to do so may result in personal injury.

DO NOT use any sharp objects to open plastic wrapped components as damage to product or components may result.

### **Warning:**

### **CHOKING HAZARD - Small Parts. Adult Assembly Required.**

Injuries may result from tipping furniture. You must install Tipping Restraint Hardware with the unit to prevent the unit from tipping and causing any accidental injury, instability, death or damage. The tipping restraint is intended only as a safety measure, it is not a substitute for proper adult supervision.

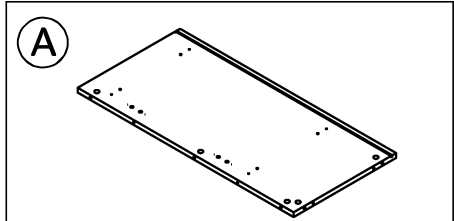
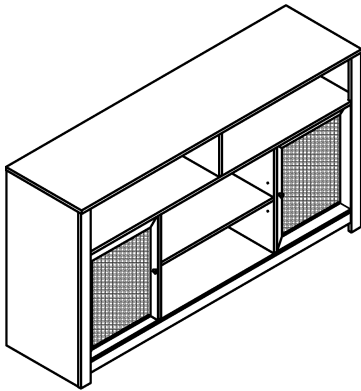
The tipping restraint is not an earthquake restraint. If you wish to add the extra security of earthquake restraints, they must be purchased and installed separately.

Serious or fatal crushing injuries can occur from furniture tipping over. To prevent furniture from tipping over it must be permanently fixed to the wall. Fixing devices for the wall are not included since different wall materials require different types of fixing devices. Use fixing devices suitable for the walls in your home.

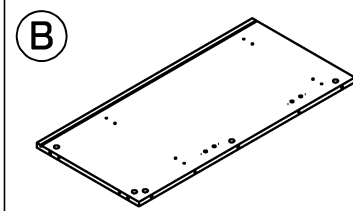
### **Note: Manufacturer assumes no liability for improper installation or excessive loads placed on screws or brackets.**

Failure to detach this restraint before moving furniture may result in injury or damage. **DO NOT ALLOW CHILDREN TO CLIMB ON FURNITURE**

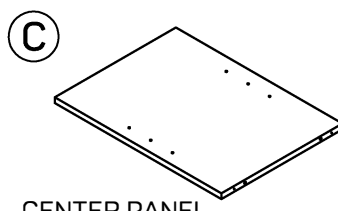
# PARTS LIST



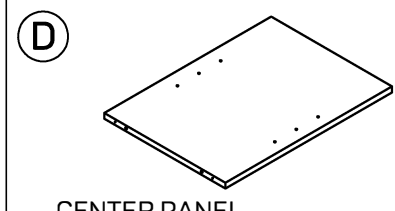
SIDE PANEL RIGHT 1PC



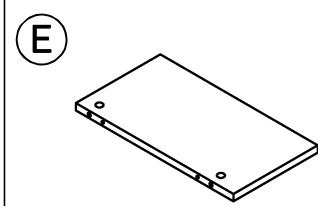
SIDE PANEL LEFT 1PC



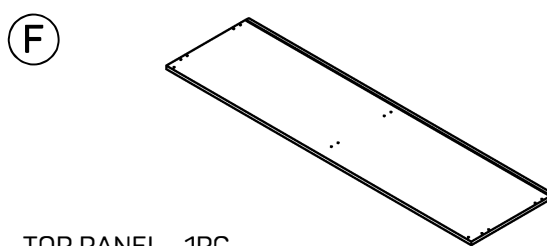
CENTER PANEL  
BOTTOM RIGHT 1PC



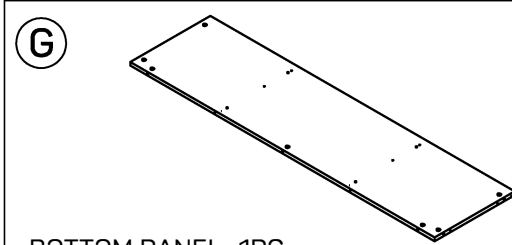
CENTER PANEL  
BOTTOM LEFT 1PC



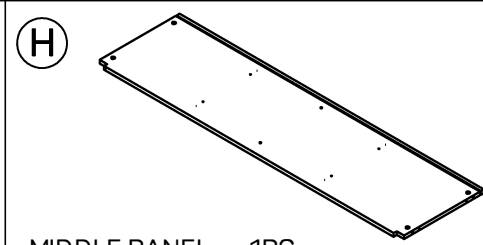
CENTER PANEL TOP 1PC



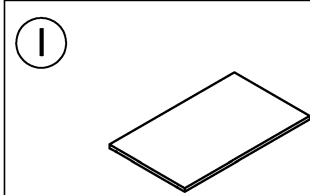
TOP PANEL 1PC



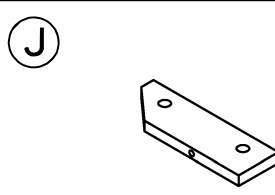
BOTTOM PANEL 1PC



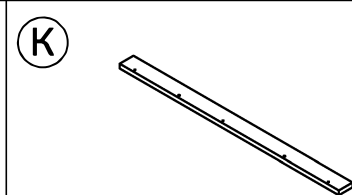
MIDDLE PANEL 1PC



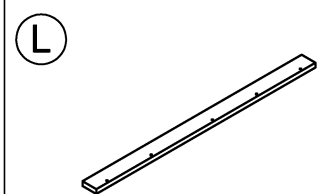
ADJUSTABLE PANEL 1PC



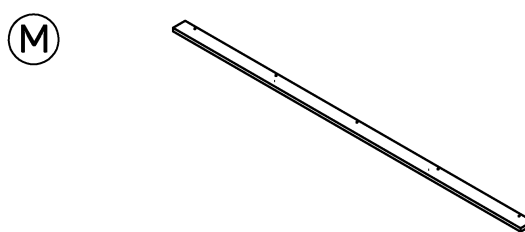
CENTER LEG 2PCS



FRONT SUPPORT RIGHT 1PC



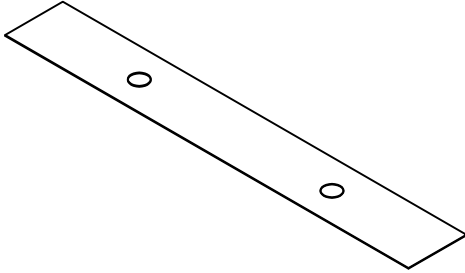
FRONT SUPPORT LEFT 1PC



FRONT SUPPORT 1PC

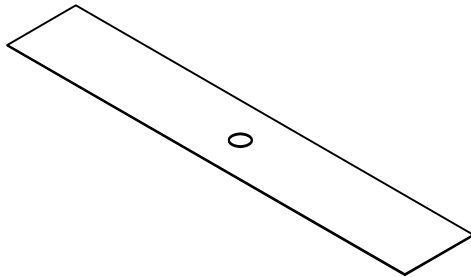
# PARTS LIST

(N)



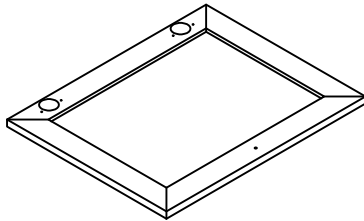
BACK PANEL TOP 1PC

(O)













BACK PANEL BOTTOM 2PCS







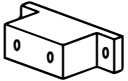



(P)



DOOR PANEL 2PCS

# HARDWARE LIST

ITEM	DESCRIPTION	QTY
①	0.47" FEMALE CAMLOCK 	31 pcs
②	7/8 HINGES 	4 pcs
③	1.26" MALE CAMLOCK 	31 pcs
④	1.18" WOOD DOWEL 	32 pcs
⑤	GLUE 	2 pcs
⑥	1.49" SCREW 	6 pcs
⑦	0.63" SCREW 	16 pcs
⑧	METAL KNOB 	2 pcs
⑨	0.75" MACHINE SCREW 	2 pcs
⑩	0.63" ADJUSTABLE GLIDE 	2 pcs

ITEM	DESCRIPTION	QTY
⑪	SHELF PIN 	4 pcs
⑫	PLASTIC WEDGE 	12 pcs
⑬	0.79" CSK CHIPBOARD SCREW 	12 pcs
⑭	0.91" STICKER COVER 	8 pcs
⑮	0.63" FLOOR GLIDE 	4 pcs
⑯	56.7" PVC H 	1 pc
⑰	1.38" ABS DOOR ADAPTER 	4 pcs
⑱	0.63" SCREW 	8 pcs
⑲	0.47" SCREW 	4 pcs
⑳	1.18" METAL L BRACKET 	2 pcs

*Glue must be applied to both sides of the wood dowels*

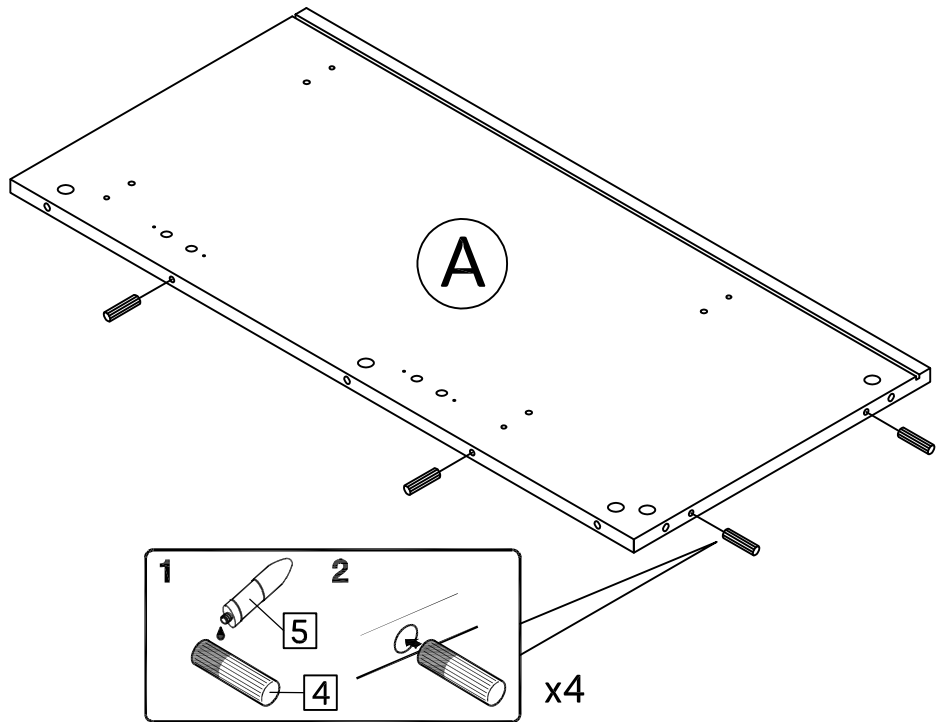


# INSTALLATION

## STEP 1

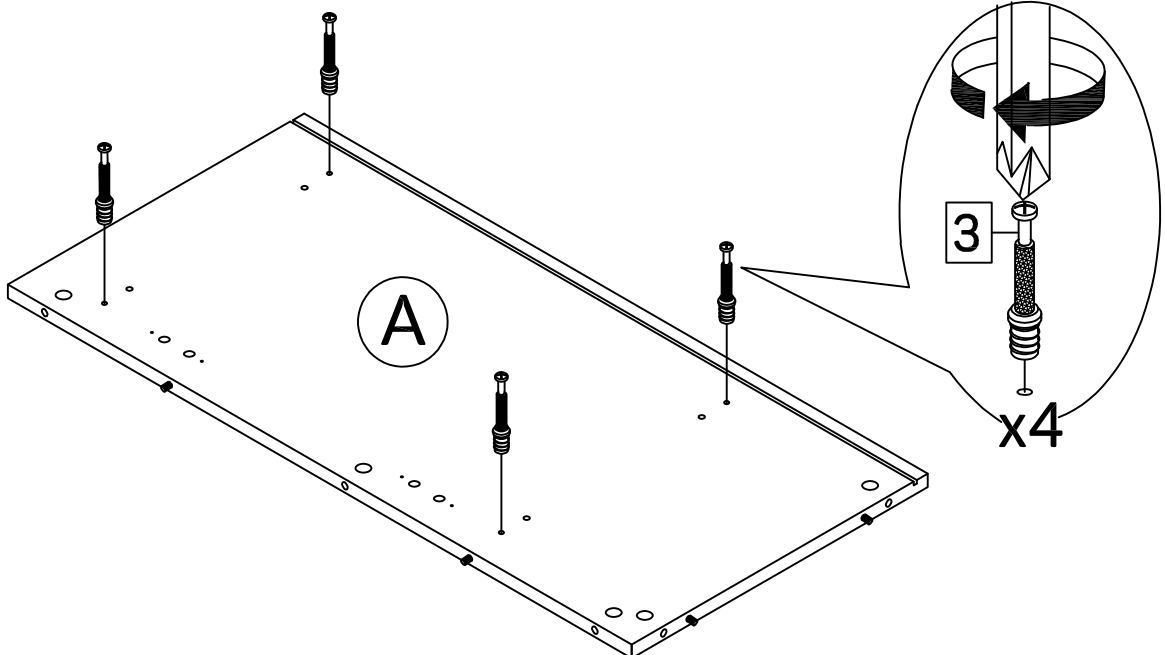
④ 1.18"  
WOOD DOWEL  
4pcs

⑤ GLUE  
1pc



## STEP 2

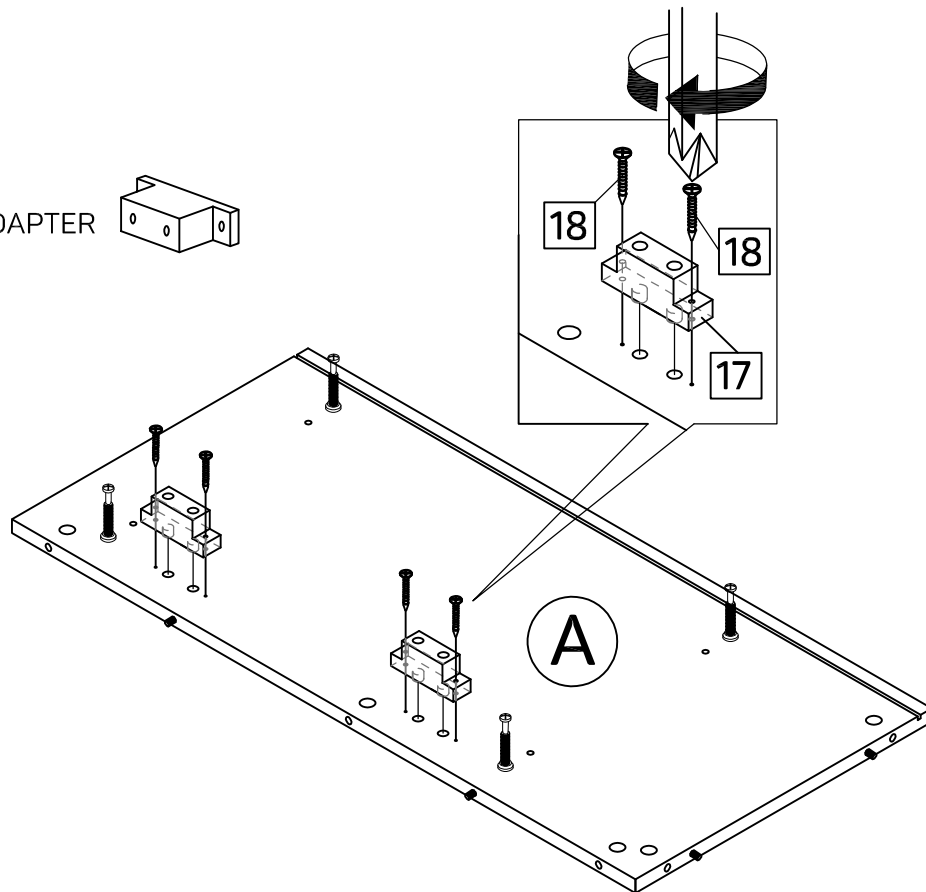
③ 1.26"  
MALE CAMLOCK  
4pcs



### STEP 3

17 1.38"  
ABS DOOR ADAPTER  
2pcs

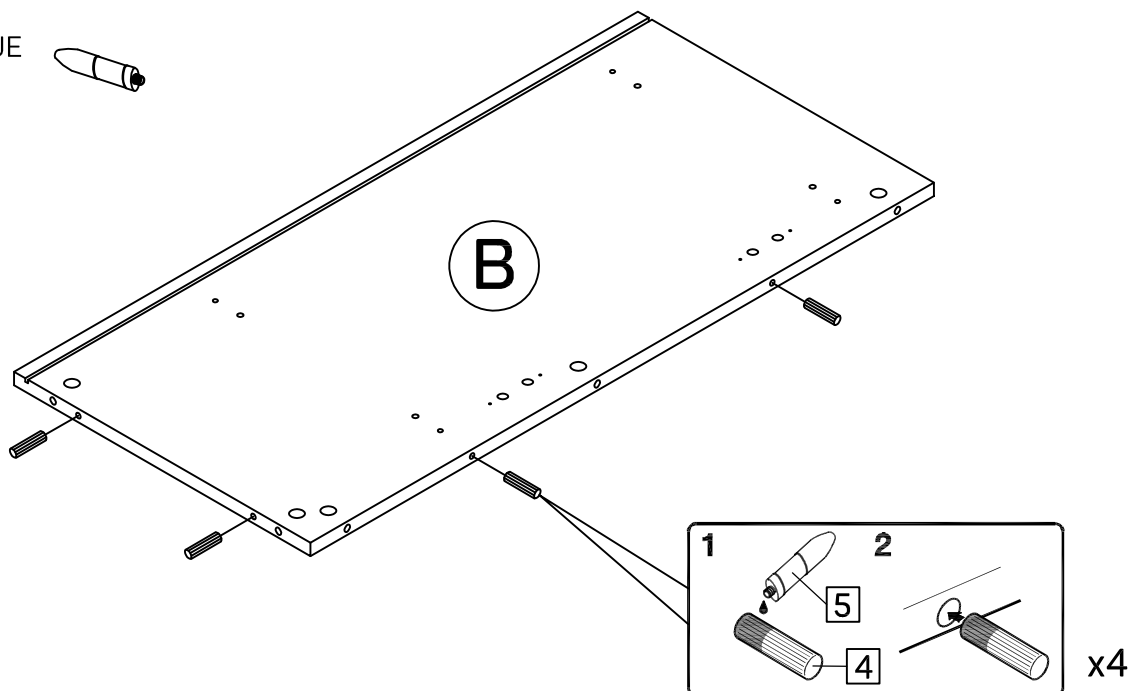
18 0.63"  
SCREW  
4pcs



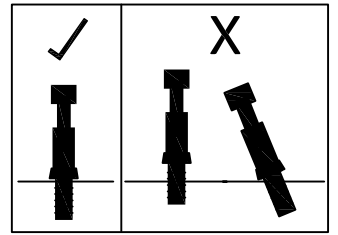
### STEP 4

4 1.18"  
WOOD DOWEL  
4pcs

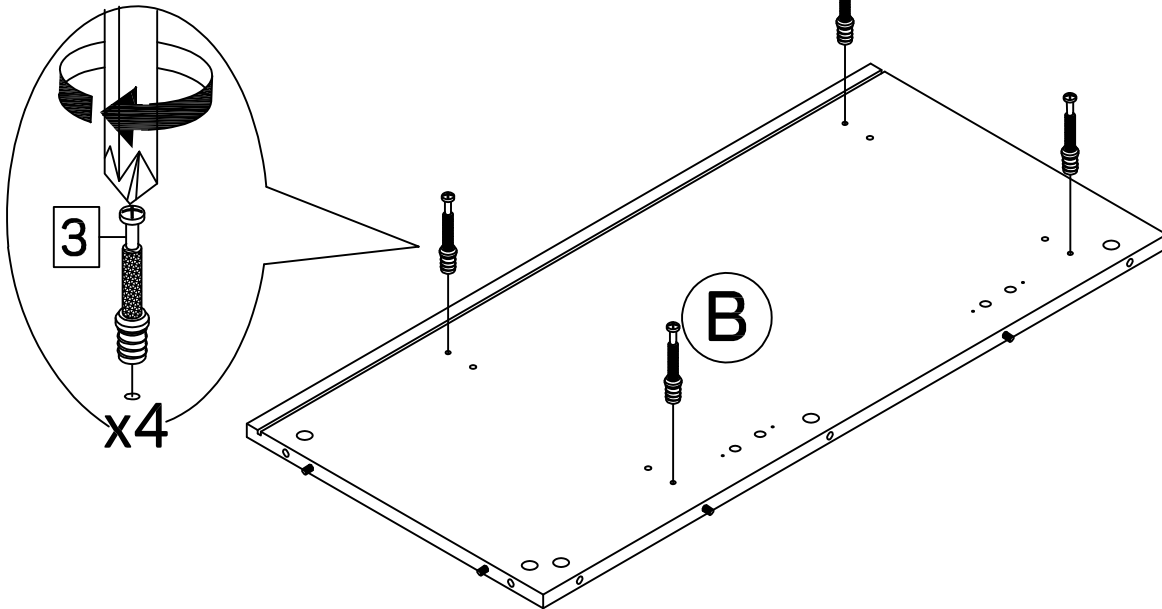
5 GLUE  
1pc



## STEP 5

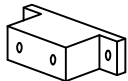


- ③ 1.26"  
MALE CAMLOCK  
4pcs

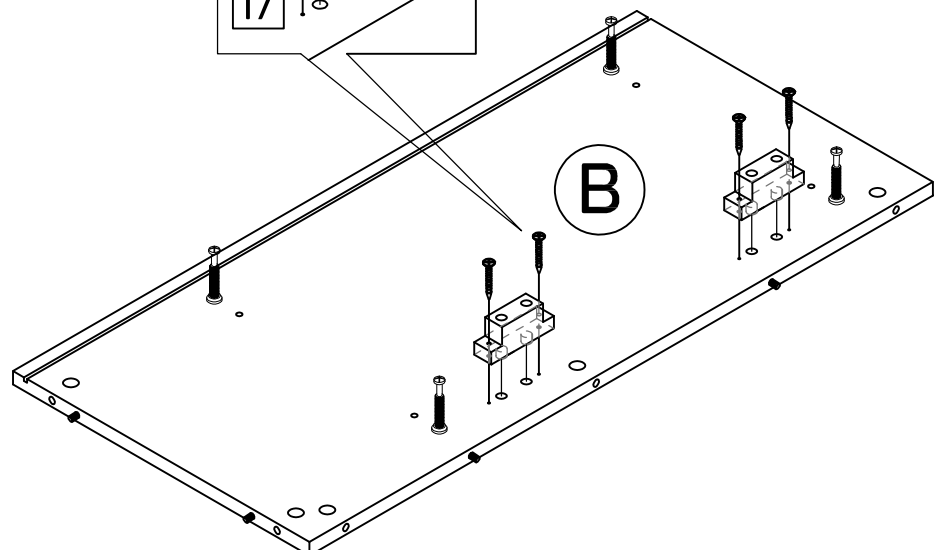
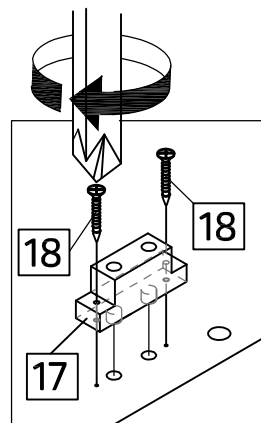


## STEP 6

- ①⑦ 1.38"  
ABS DOOR ADAPTER  
2pcs



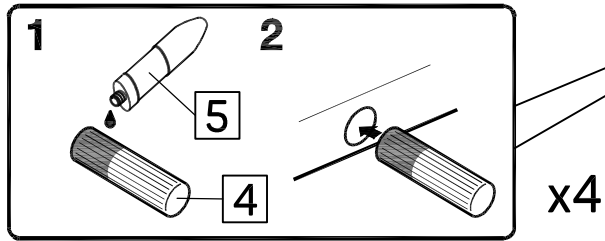
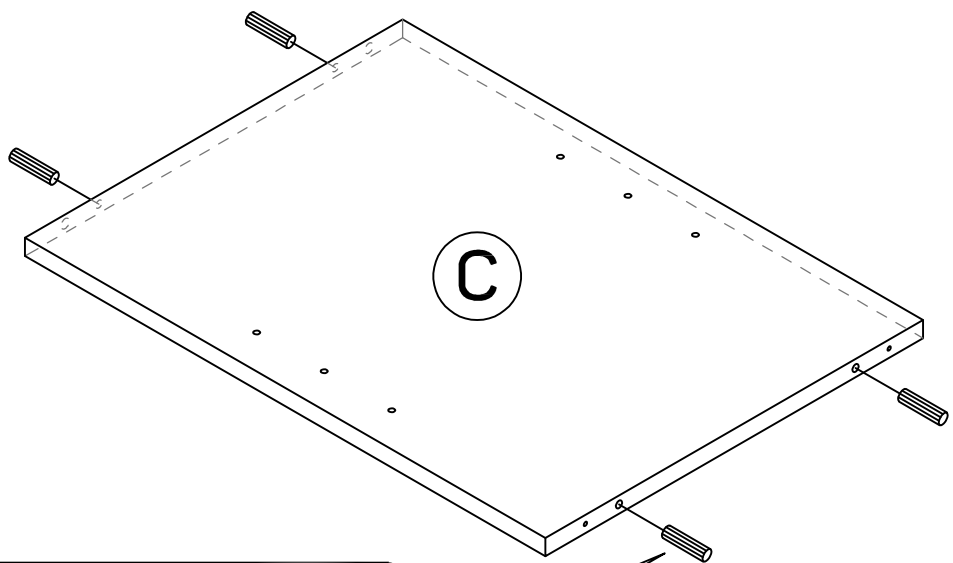
- ①⑧ 0.63"  
SCREW  
4pcs



### STEP 7

- ④ 1.18" WOOD DOWEL 4pcs

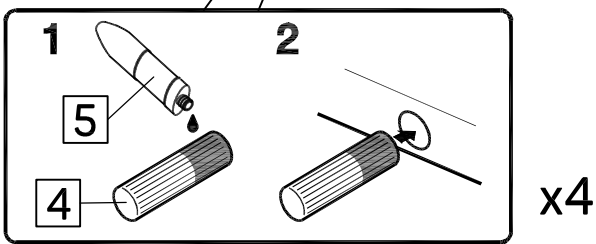
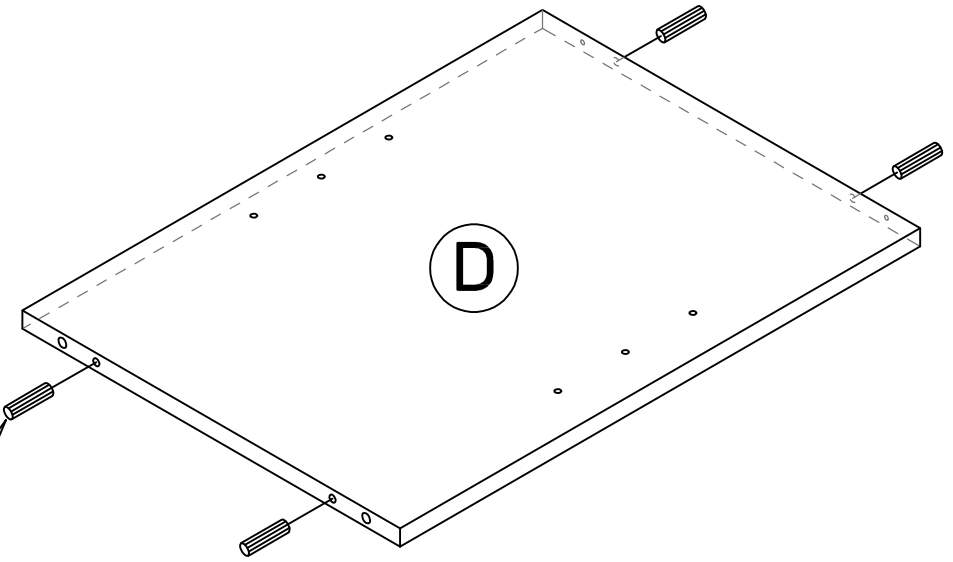
- ⑤ GLUE 1pc



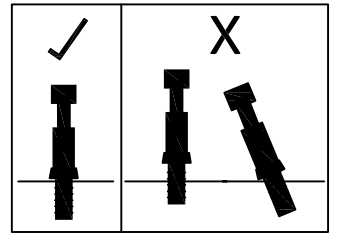
### STEP 8

- ④ 1.18" WOOD DOWEL 4pcs

- ⑤ GLUE 1pc



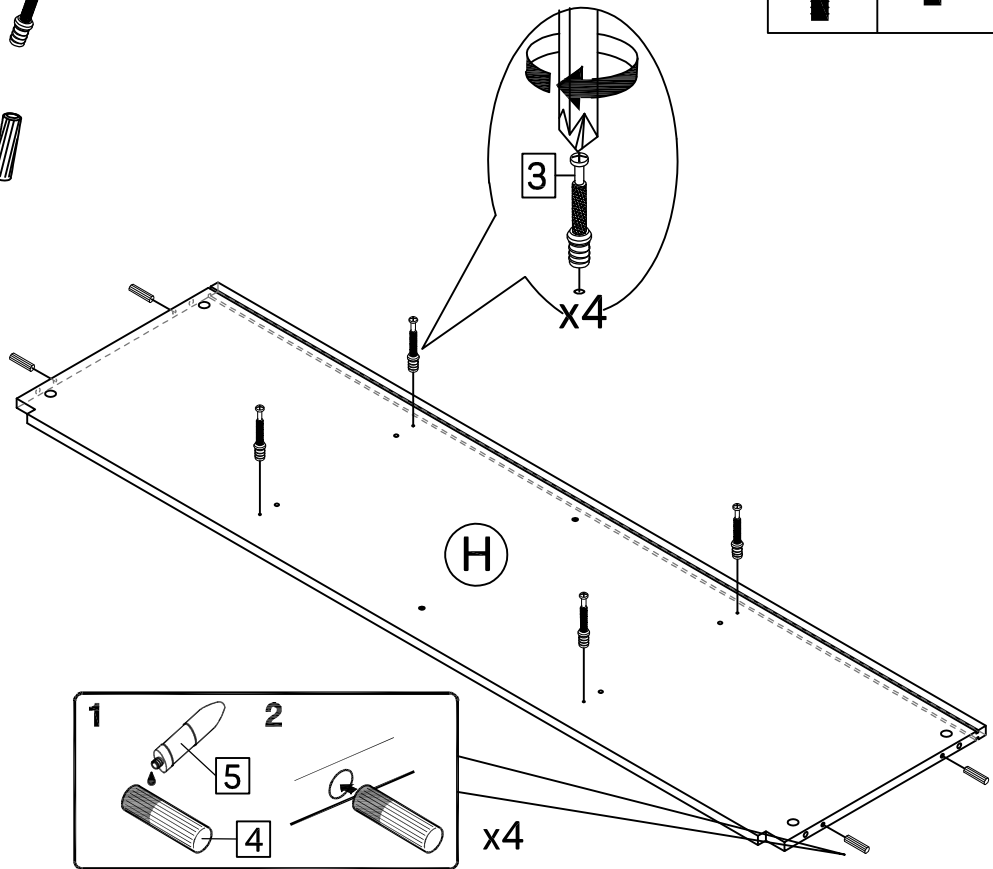
## STEP 9



③ 1.26"  
MALE CAMLOCK  
4pcs

④ 1.18"  
WOOD DOWEL  
4pcs

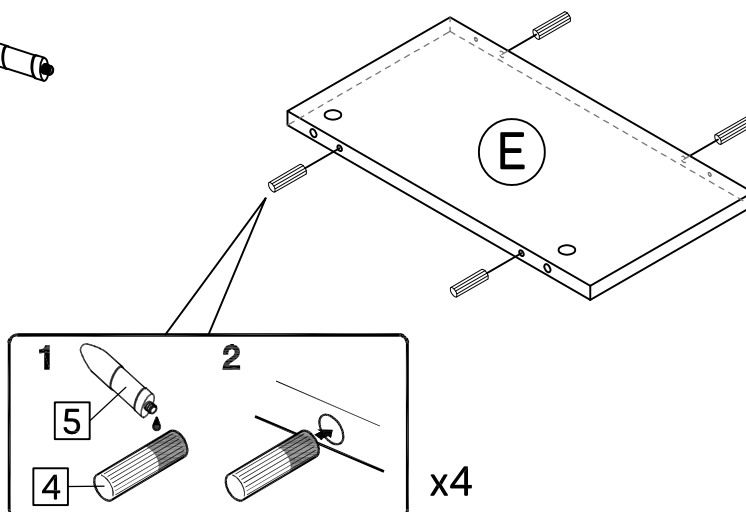
⑤ GLUE  
1pc



## STEP 10

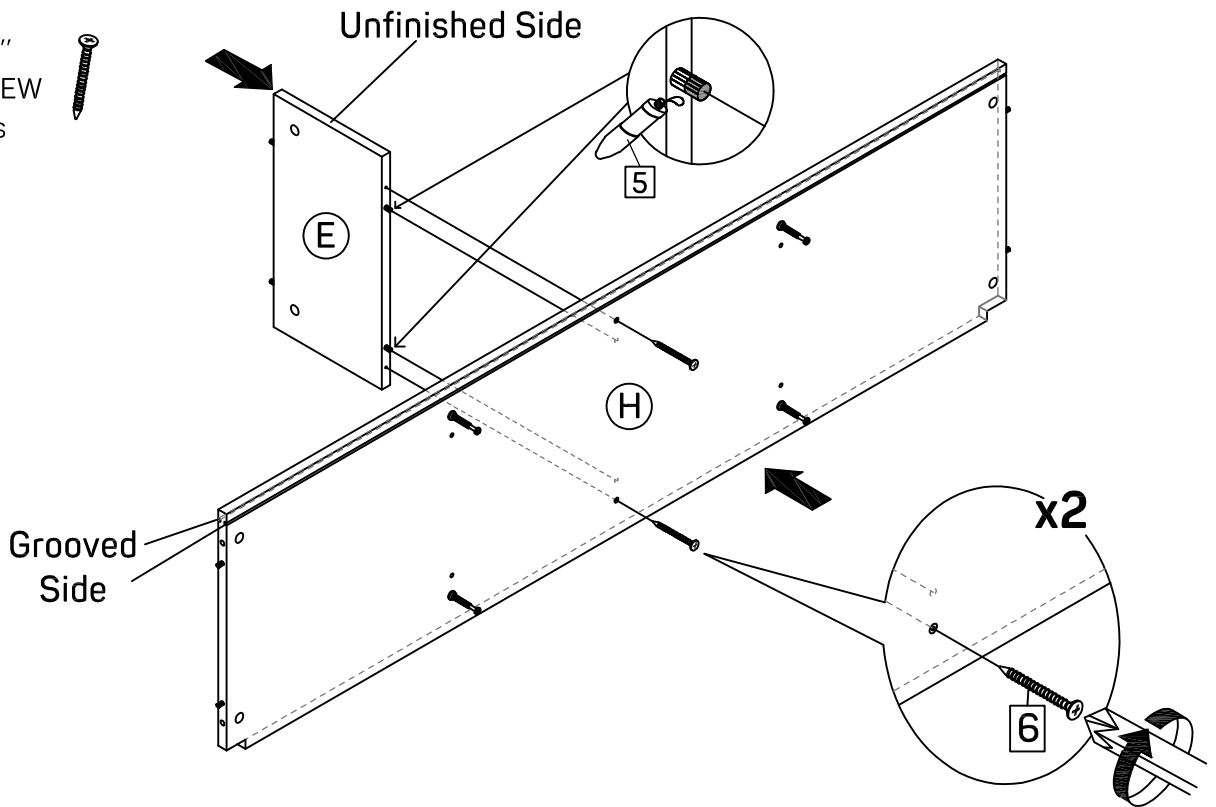
④ 1.18"  
WOOD DOWEL  
4pcs

⑤ GLUE  
1pc



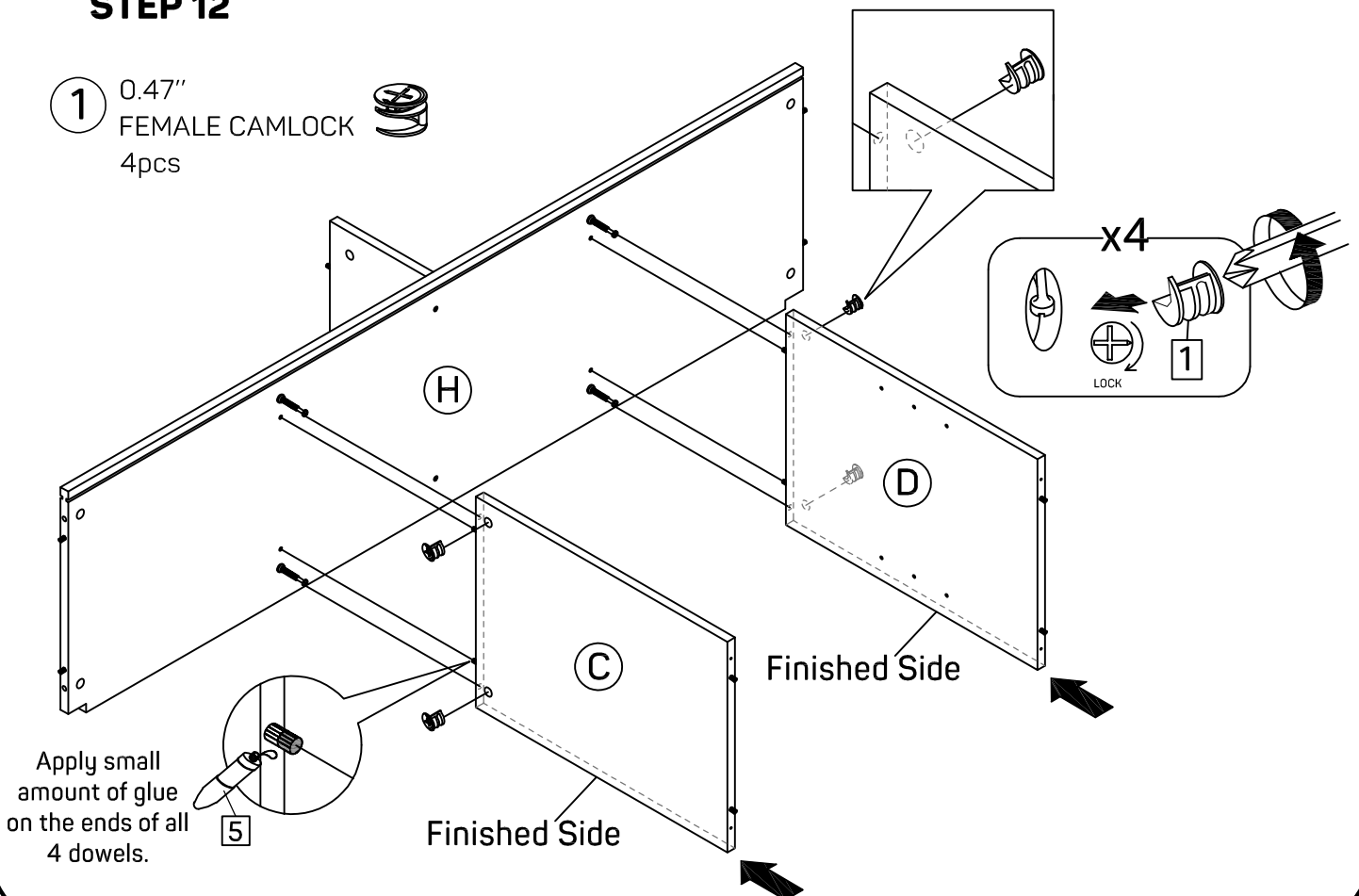
## STEP 11

- ⑥ 1.49"  
SCREW  
2pcs



## STEP 12

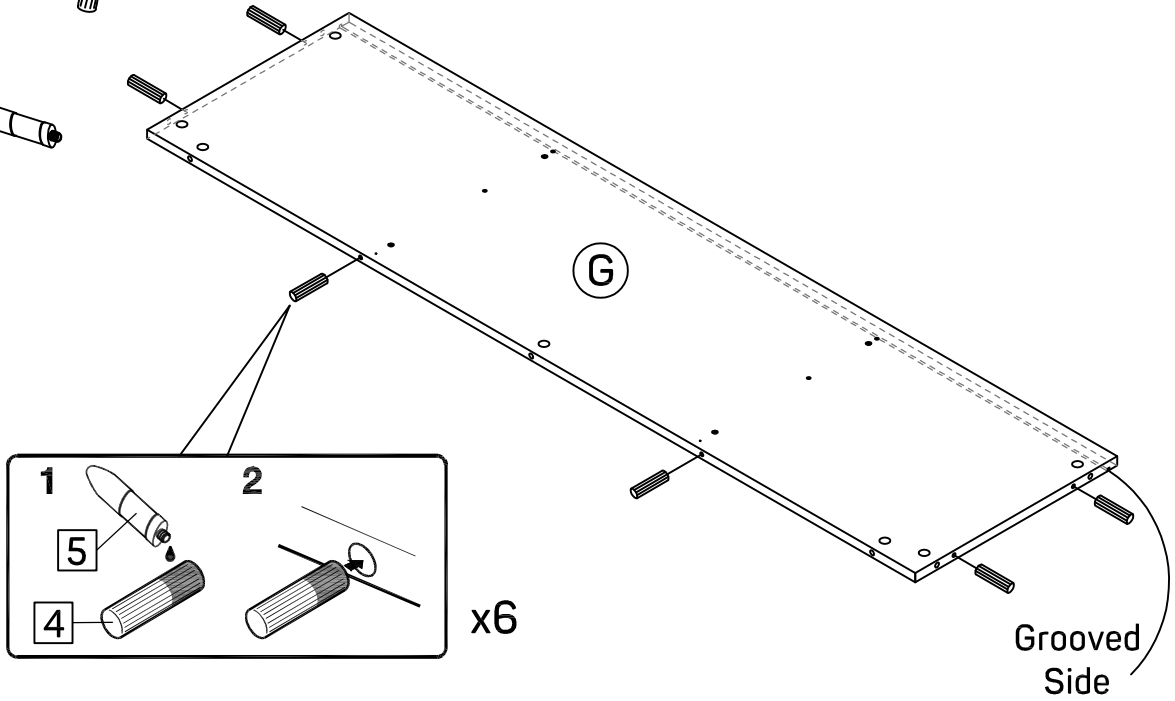
- ① 0.47"  
FEMALE CAMLOCK  
4pcs



### STEP 13

- ④ 1.18" WOOD DOWEL  
6pcs

- ⑤ GLUE  
1pc

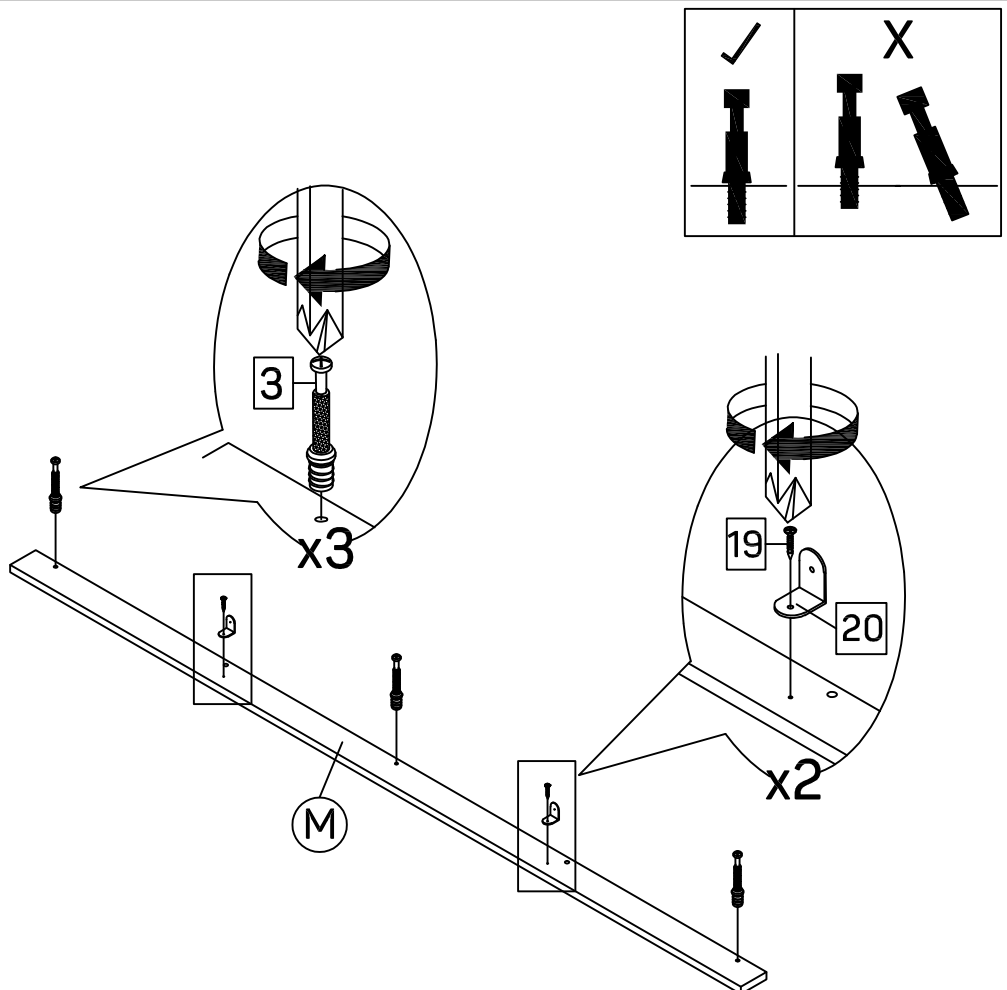


### STEP 14

- ③ 1.26" MALE CAMLOCK  
3pcs

- ⑱ 0.47" SCREW  
2pcs

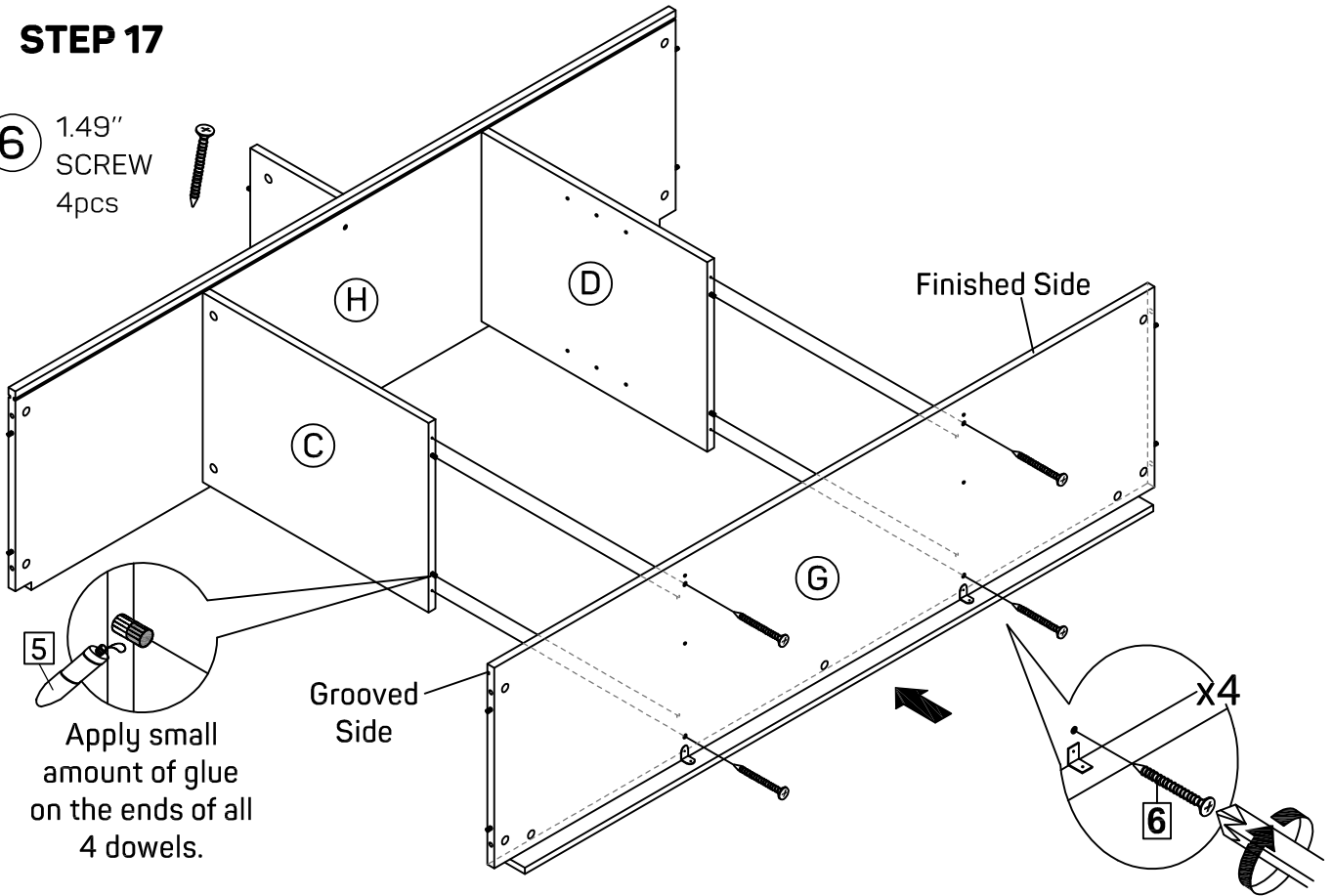
- ⑳ 1.18" METAL L BRACKET  
2pcs





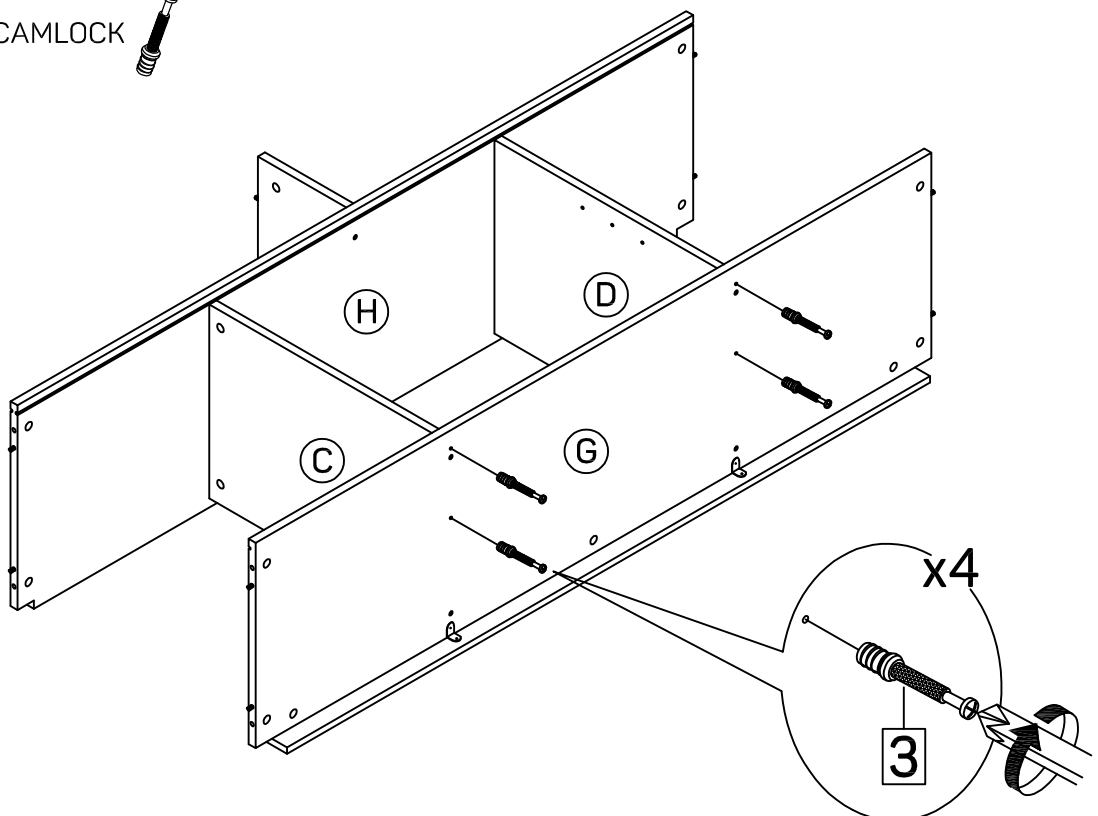
## STEP 17

- ⑥ 1.49" SCREW  
4pcs



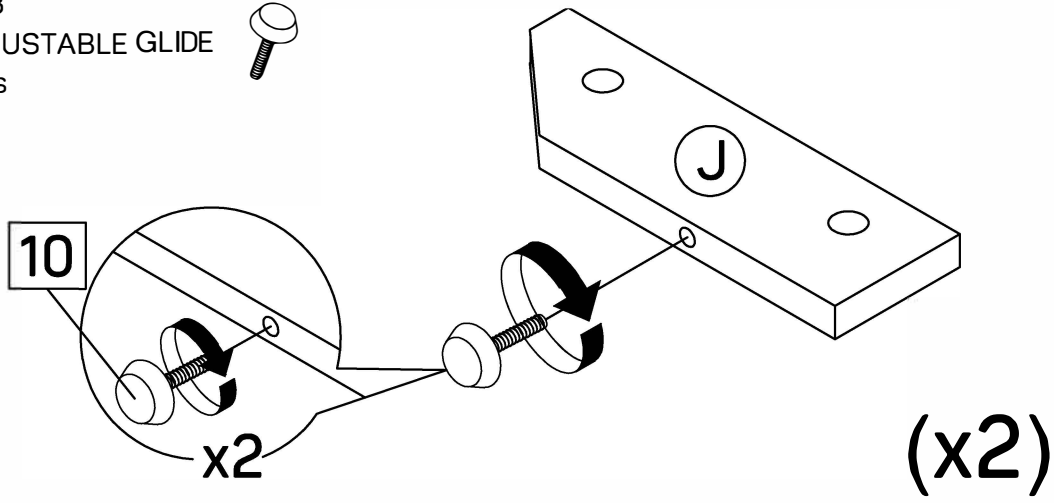
## STEP 18

- ③ 1.26" MALE CAMLOCK  
4pcs



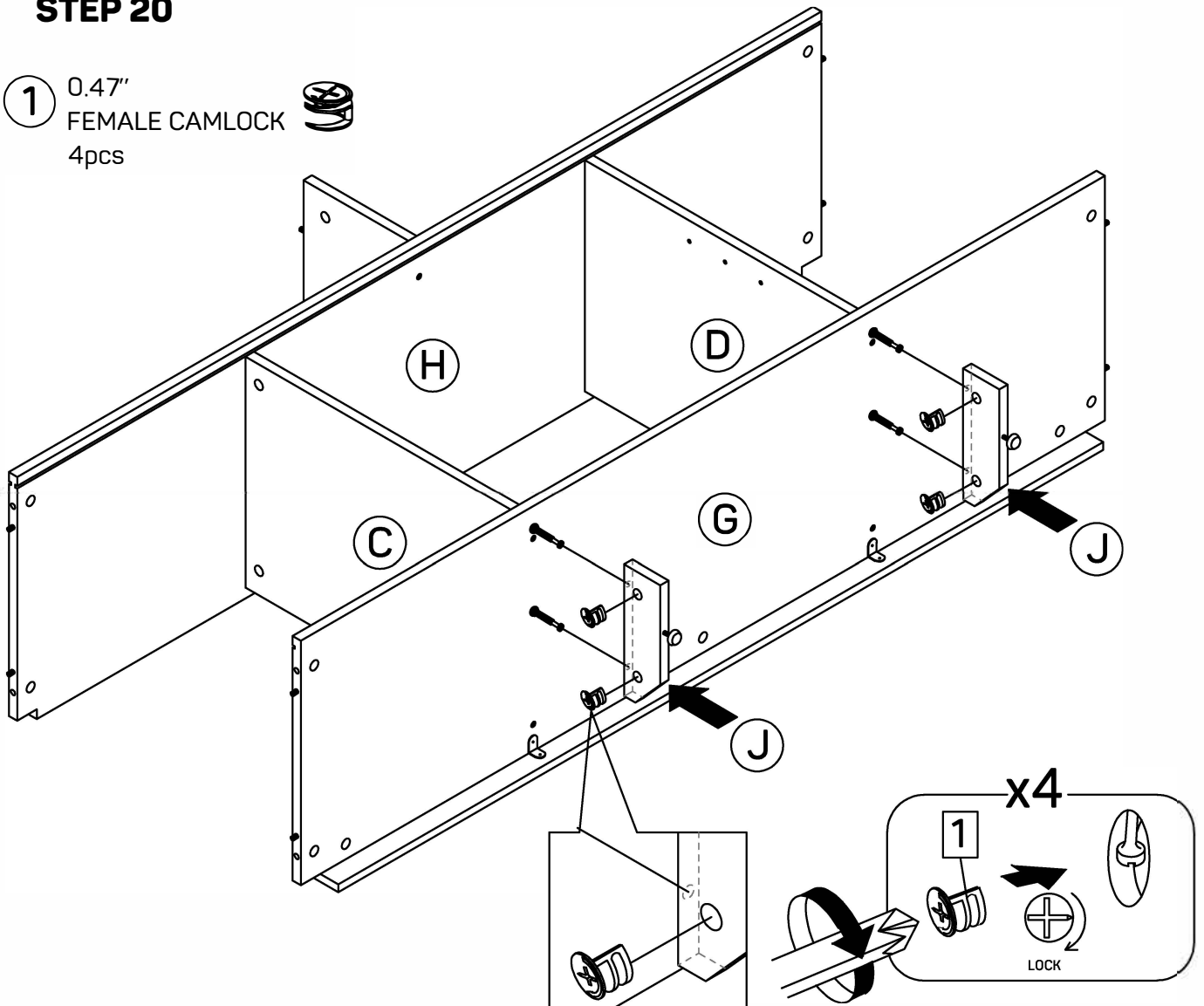
## STEP 19

- ⑩ 0.63"  
ADJUSTABLE GLIDE  
2pcs



## STEP 20

- ① 0.47"  
FEMALE CAMLOCK  
4pcs

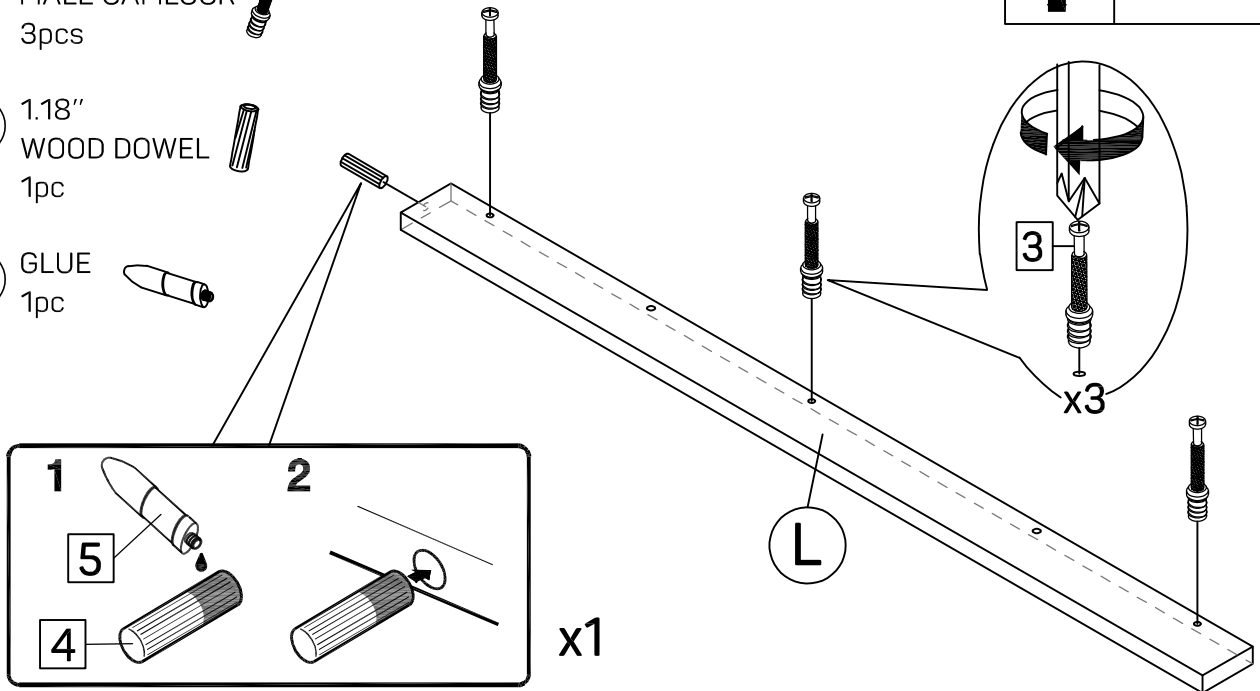
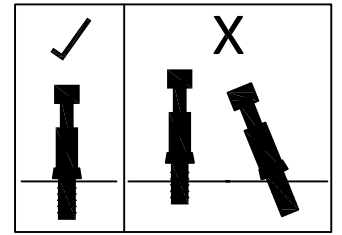


## STEP 21

③ 1.26"  
MALE CAMLOCK  
3pcs

④ 1.18"  
WOOD DOWEL  
1pc

⑤ GLUE  
1pc

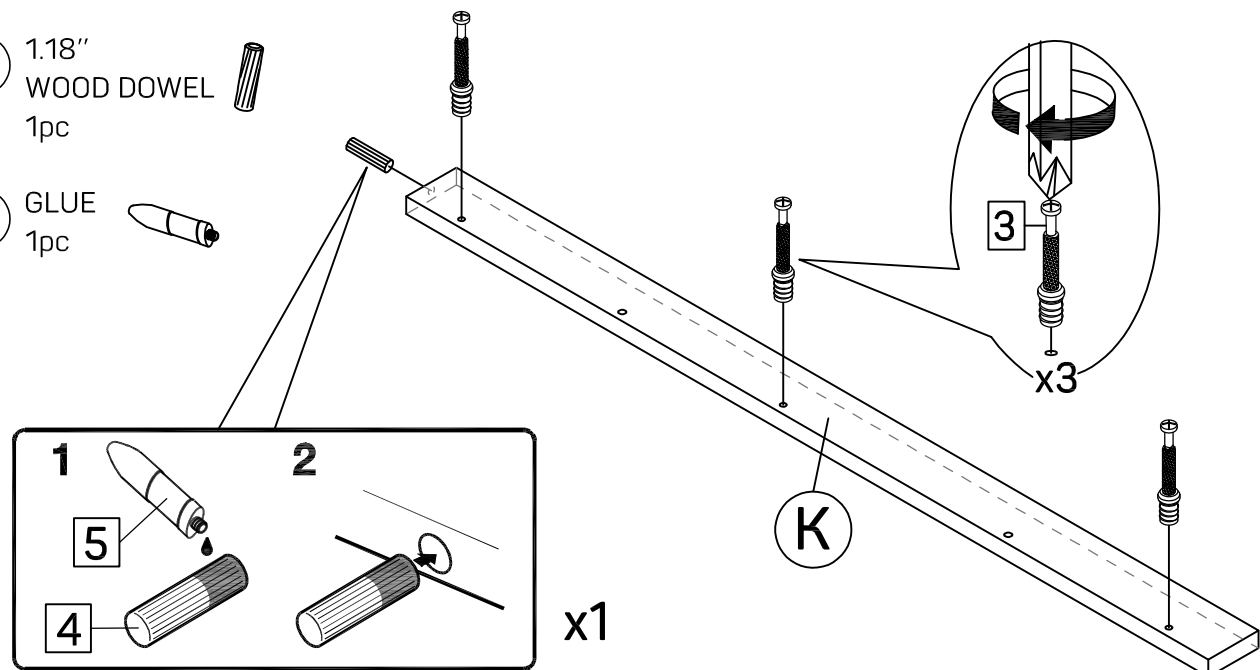
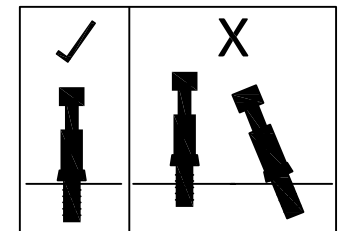


## STEP 22

③ 1.26"  
MALE CAMLOCK  
3pcs

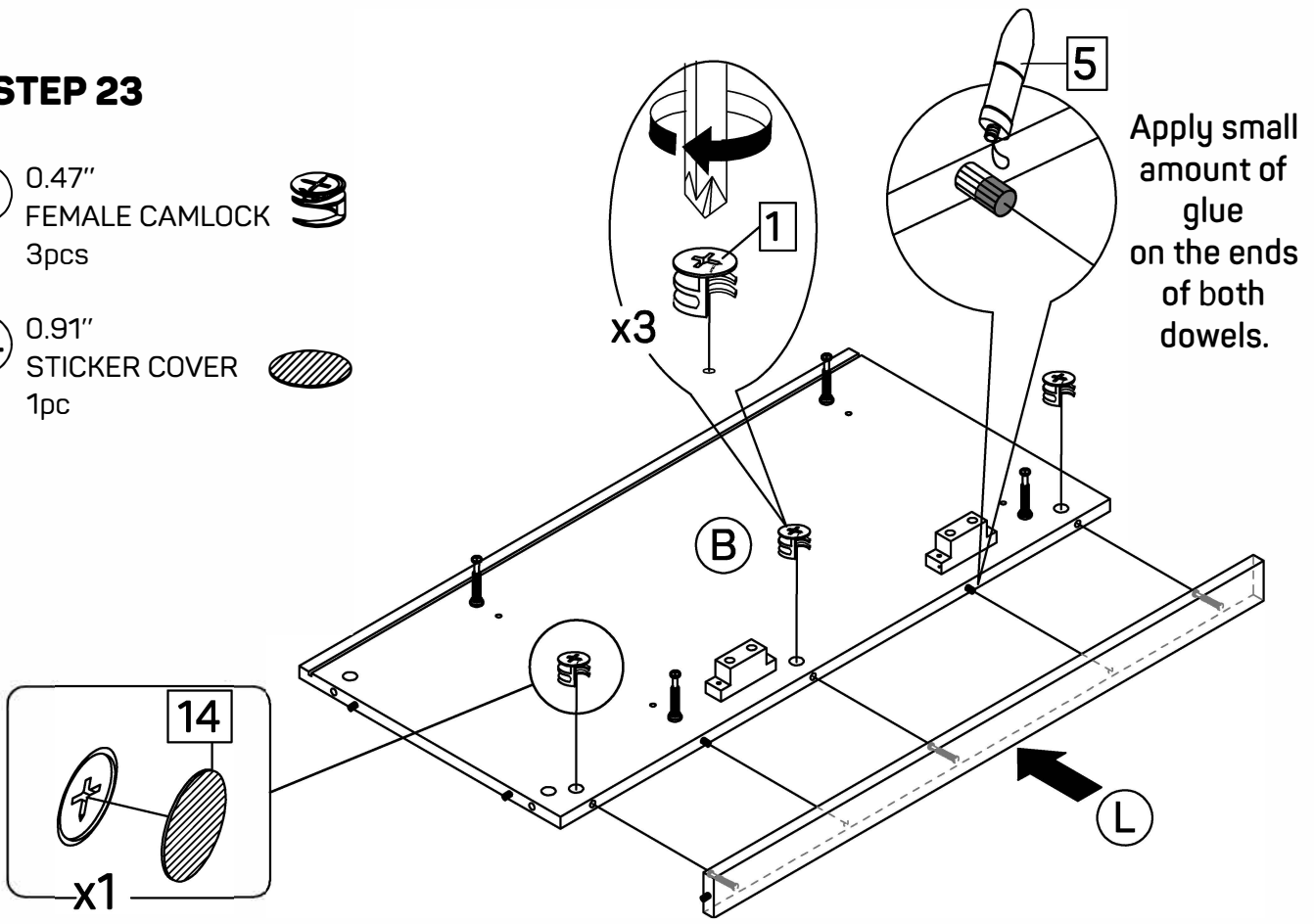
④ 1.18"  
WOOD DOWEL  
1pc

⑤ GLUE  
1pc



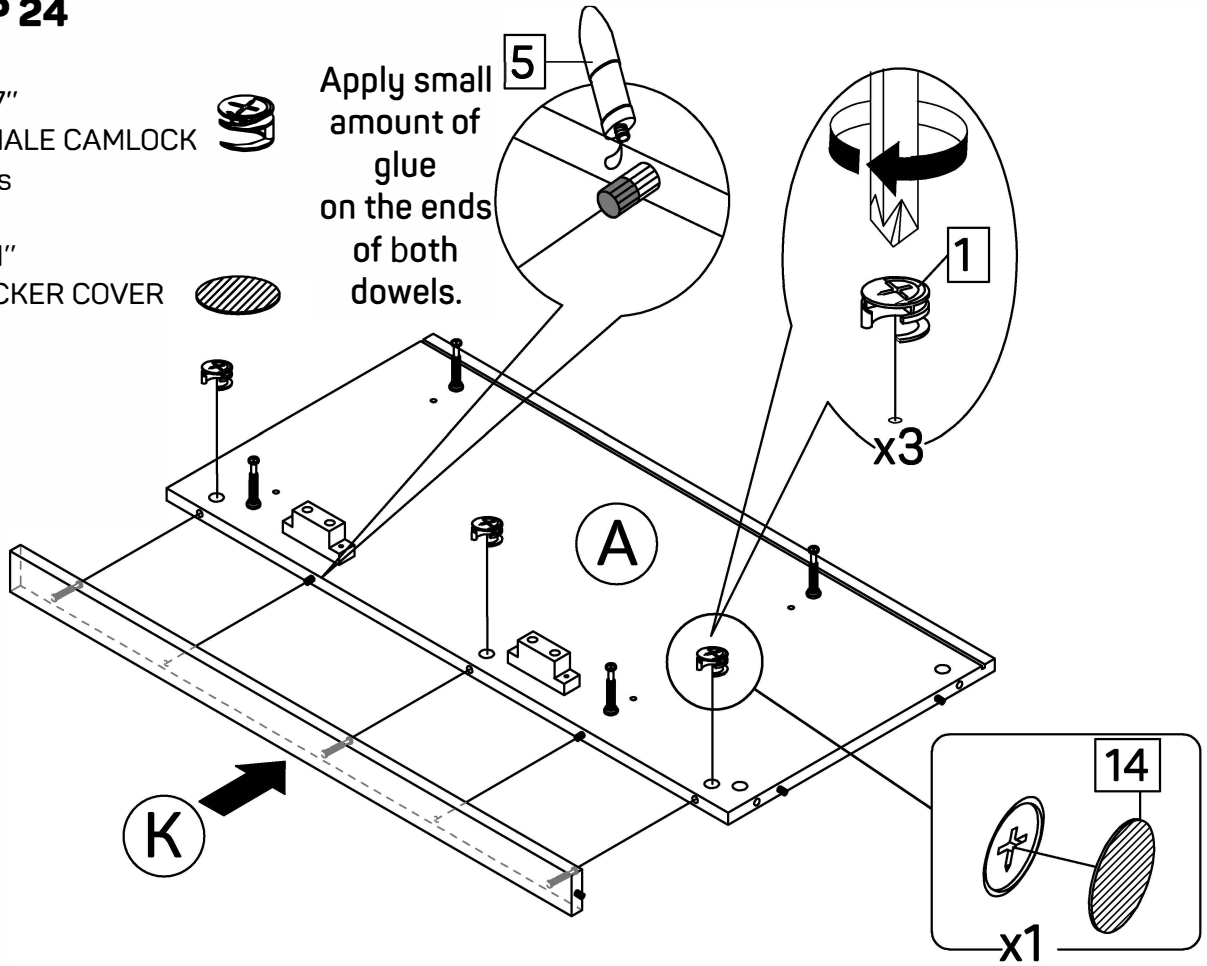
### STEP 23

- ① 0.47" FEMALE CAMLOCK 3pcs
- ⑭ 0.91" STICKER COVER 1pc



### STEP 24

- ① 0.47" FEMALE CAMLOCK 3pcs
- ⑭ 0.91" STICKER COVER 1pc

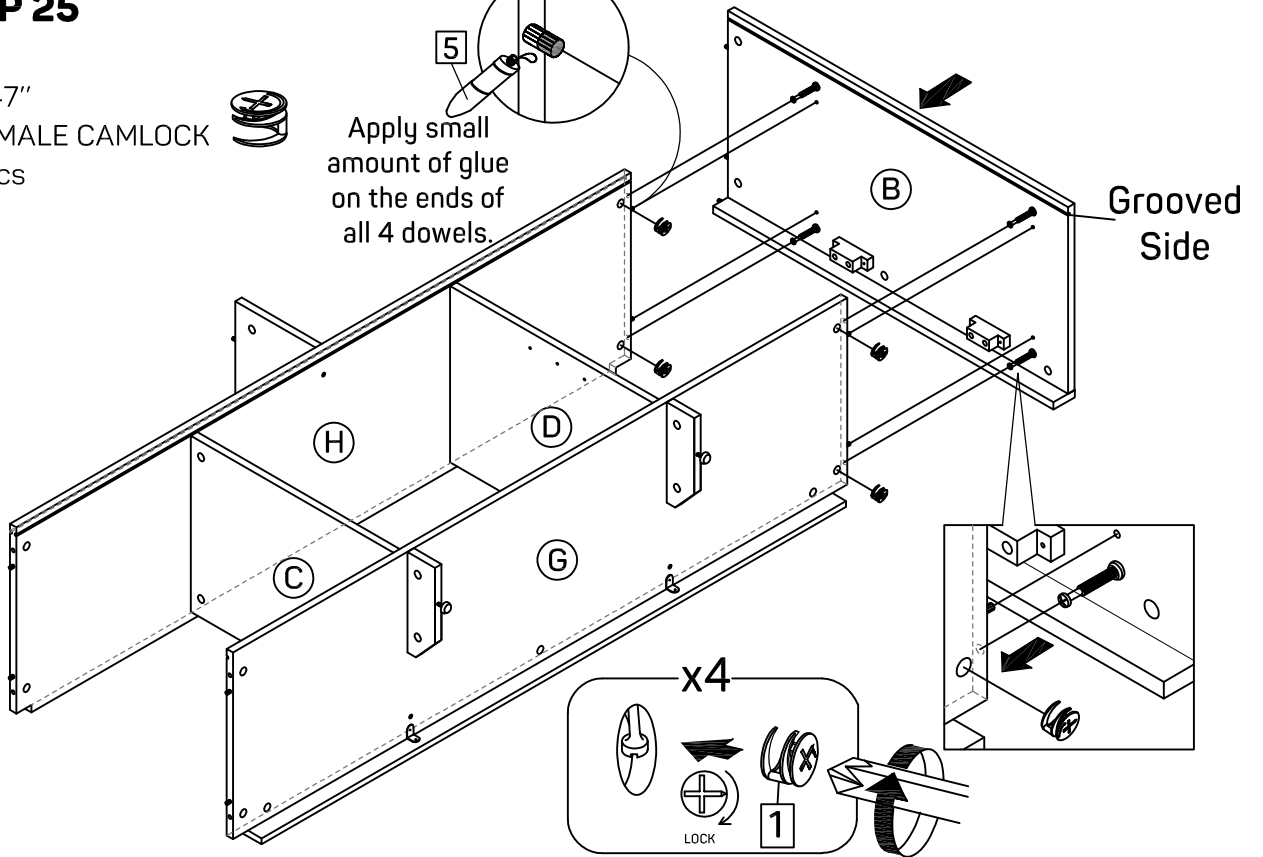
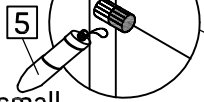


## STEP 25

- 1 0.47" FEMALE CAMLOCK  
4pcs



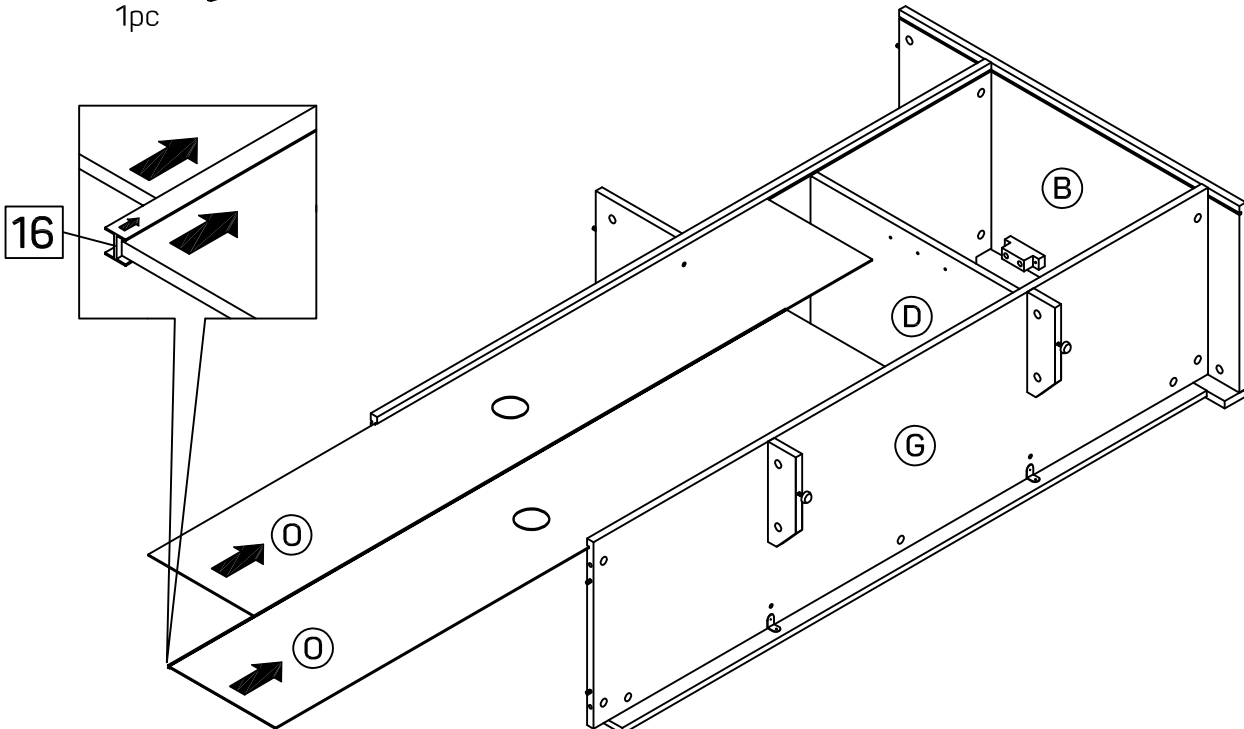
Apply small amount of glue on the ends of all 4 dowels.



## STEP 26

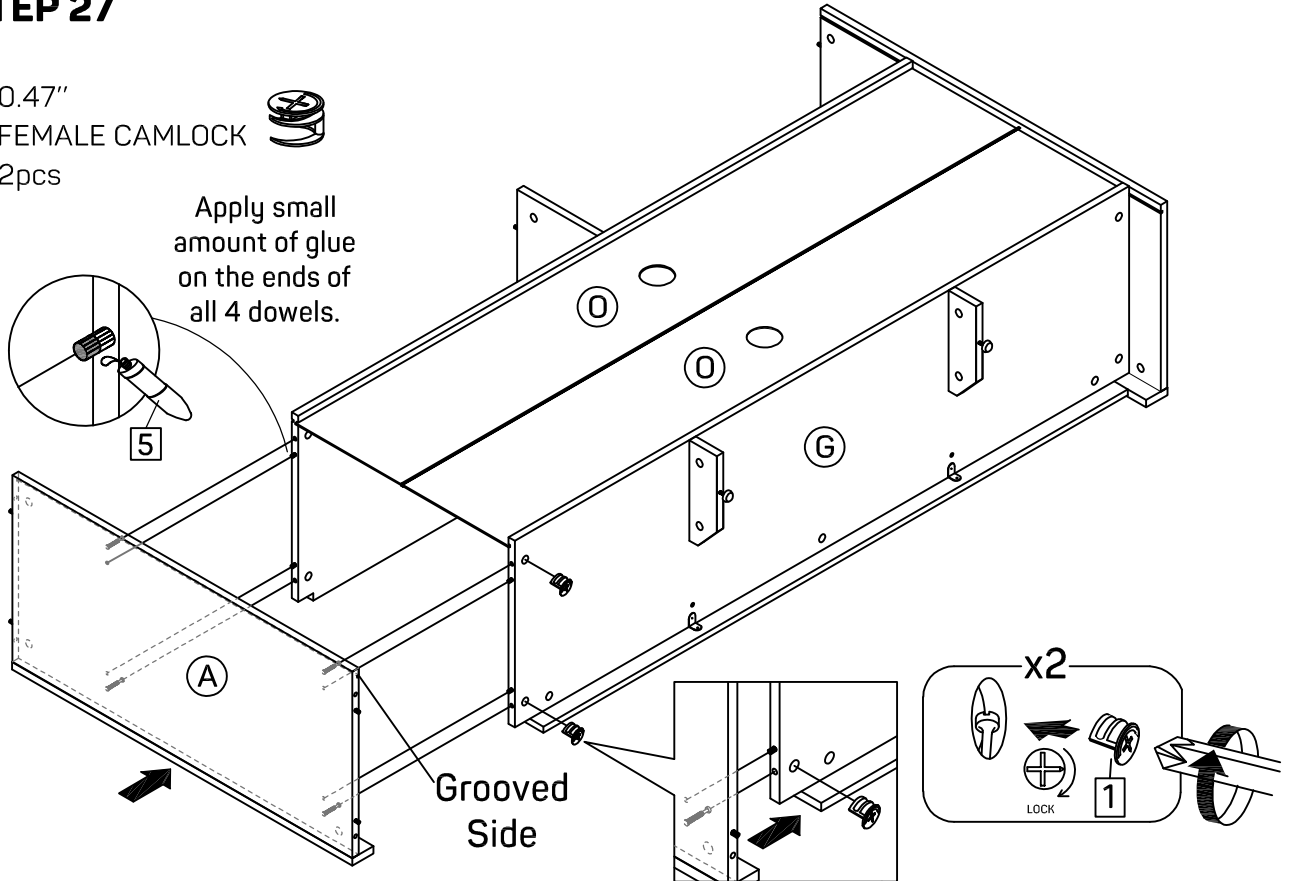
- 16 56.7" PVC H  
1pc

Note: Make sure panel O is fully inserted into the groove on panels G, H and B.



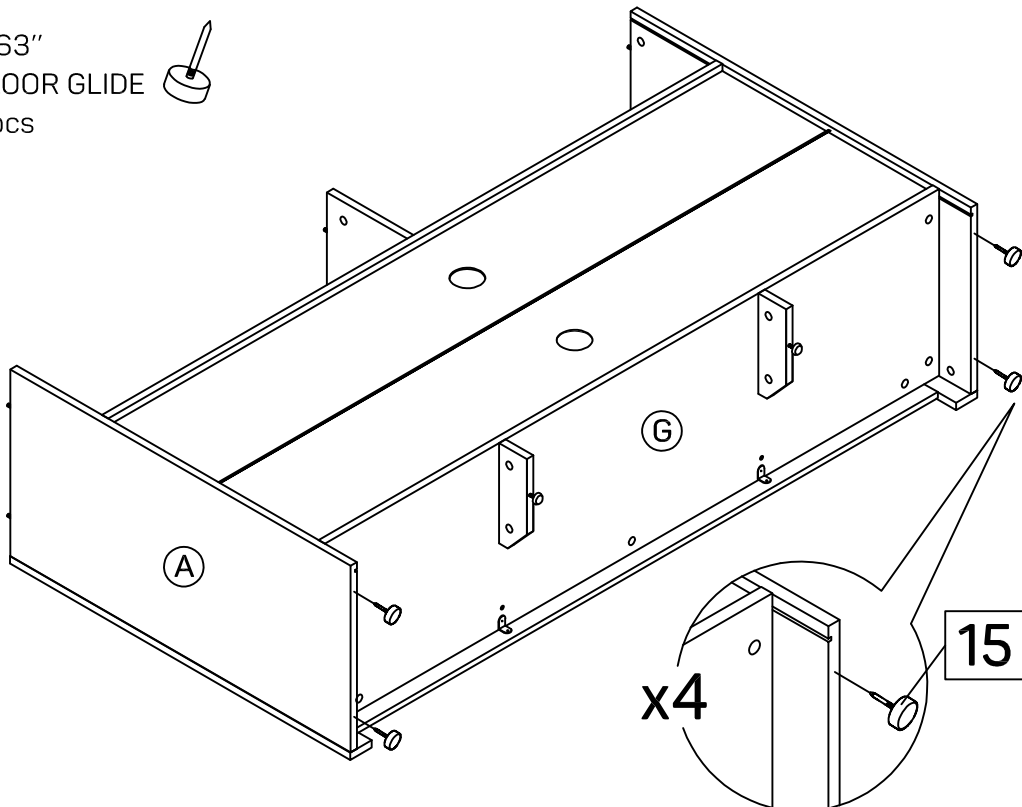
## STEP 27

- ① 0.47" FEMALE CAMLOCK 2pcs



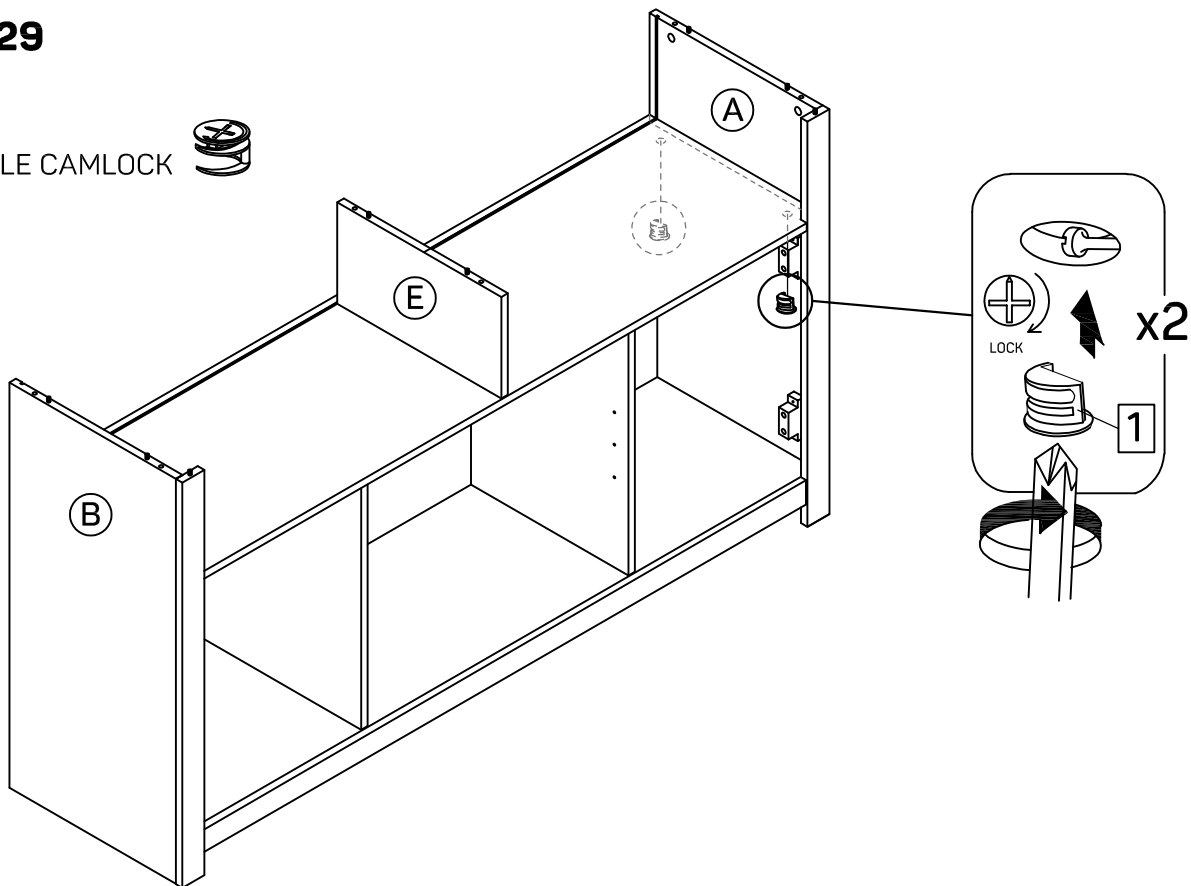
## STEP 28

- ⑮ 0.63" FLOOR GLIDE 4pcs

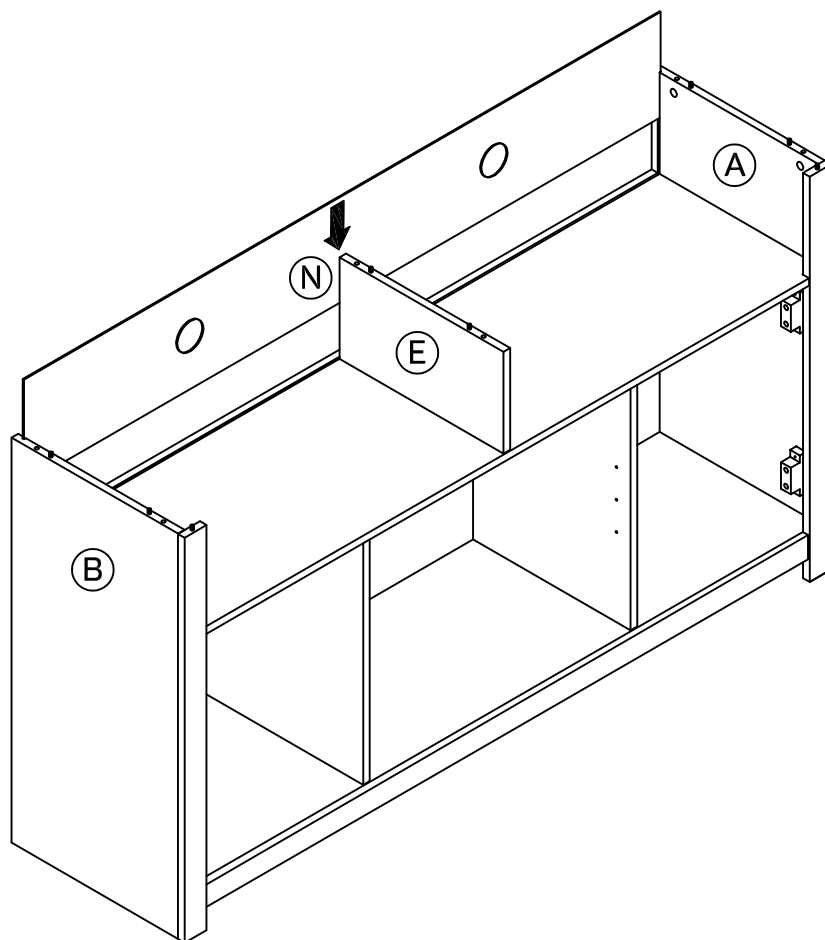


### STEP 29

- 1 0.47"  
FEMALE CAMLOCK   
2pcs

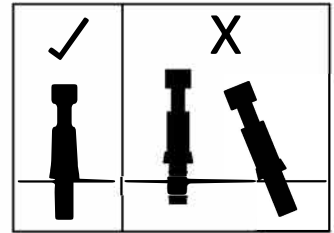
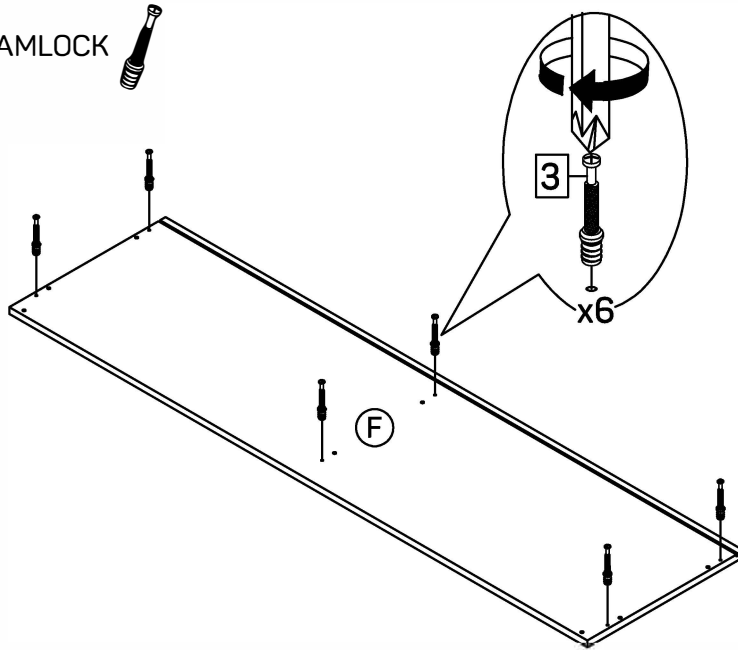


### STEP 30



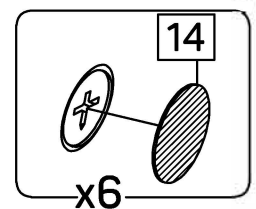
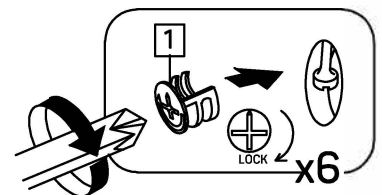
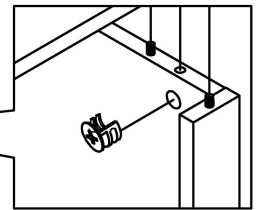
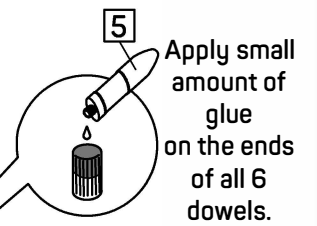
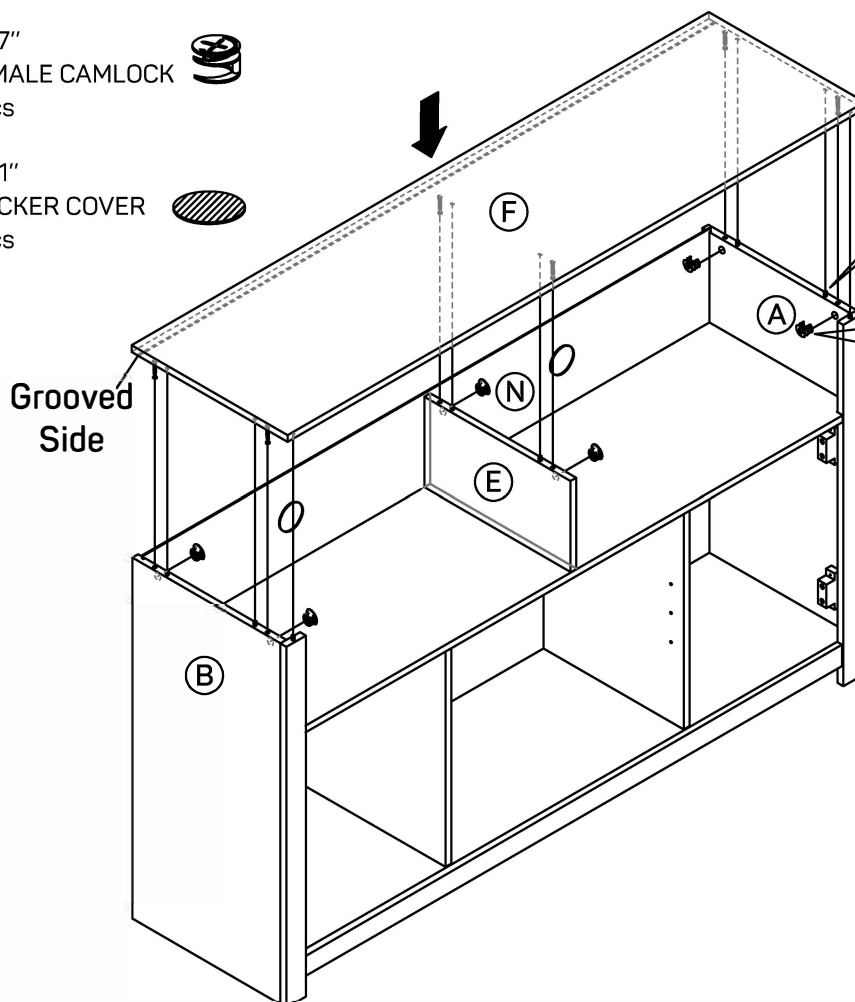
### STEP 31

- ③ 1.26" MALE CAMLOCK  
6pcs



### STEP 32

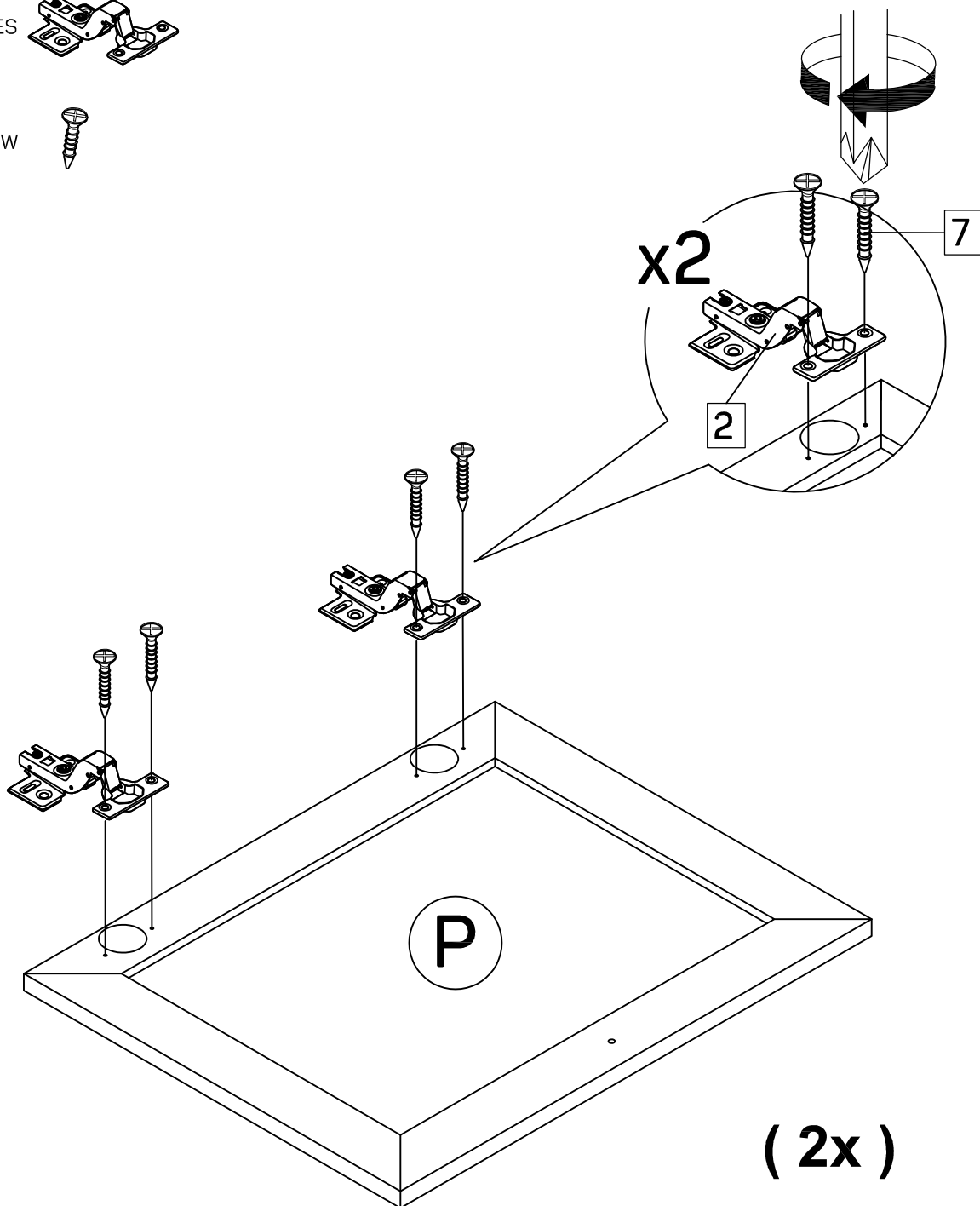
- ① 0.47" FEMALE CAMLOCK  
6pcs
- ⑭ 0.91" STICKER COVER  
6pcs



### STEP 33

② 7/8  
HINGES  
4pcs

⑦ 0.63"  
SCREW  
8pcs

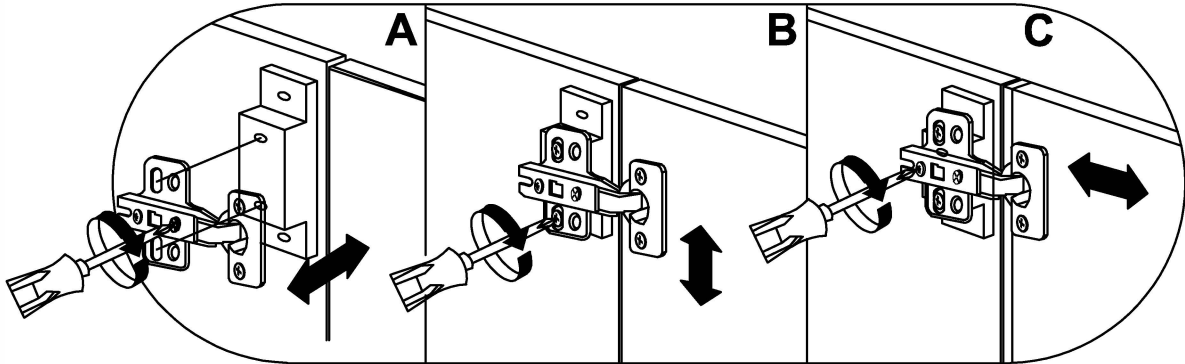


# STEP 34

7 0.63"  
SCREW  
8pcs



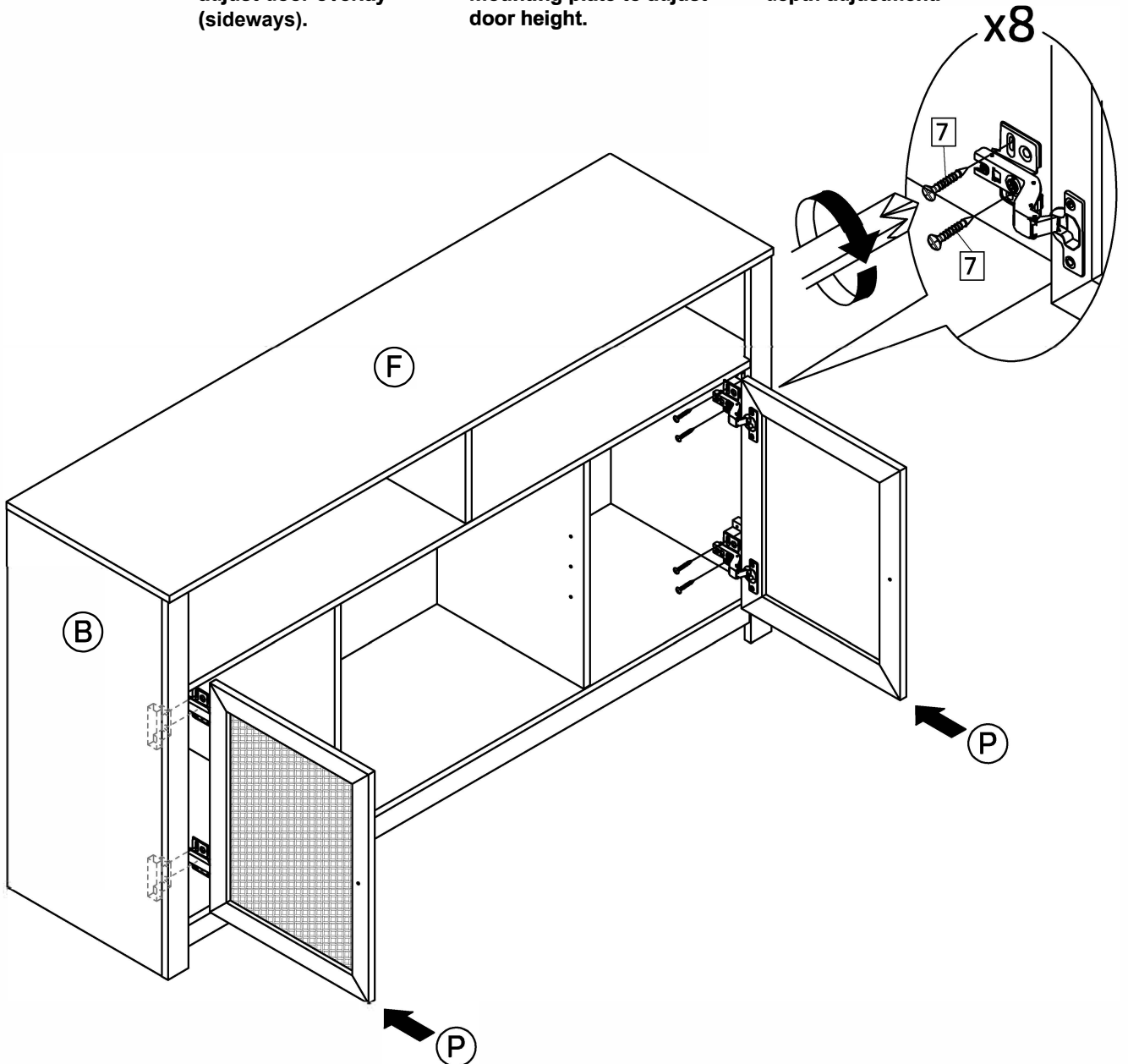
## Hinge Adjustment



A. Turn front screw to adjust door overlay (sideways).

B. Rotate cam screw on mounting plate to adjust door height.

C. Turn rear screw for door depth adjustment.

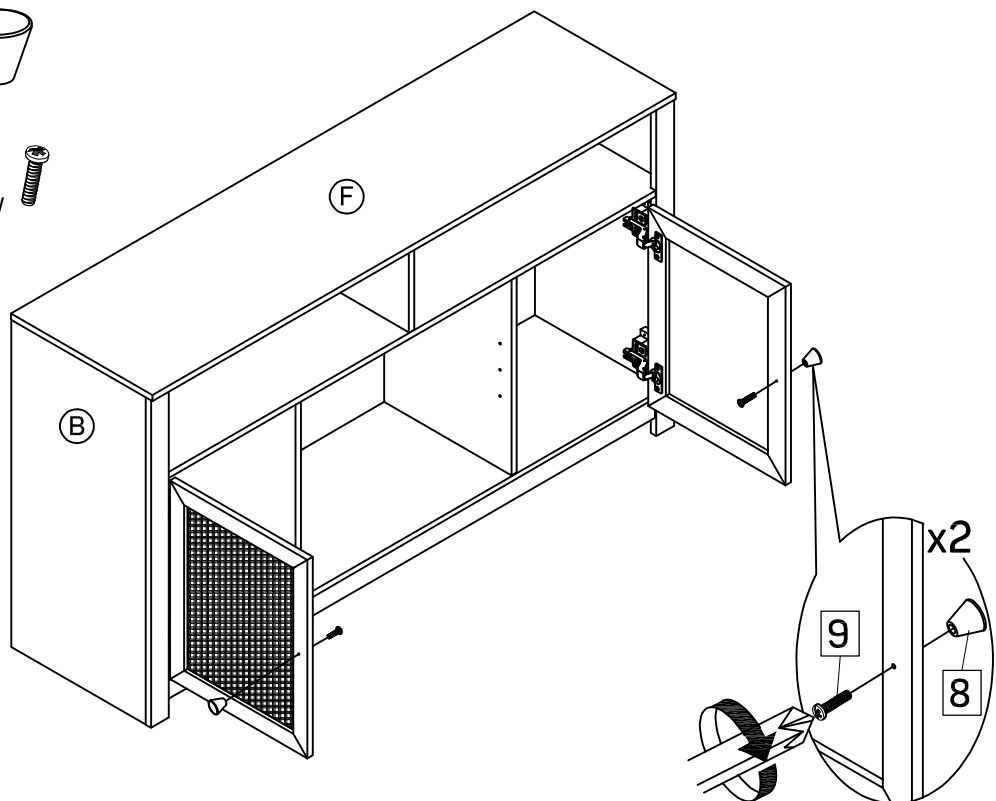


### STEP 35

⑧ METAL KNOB  
2pcs

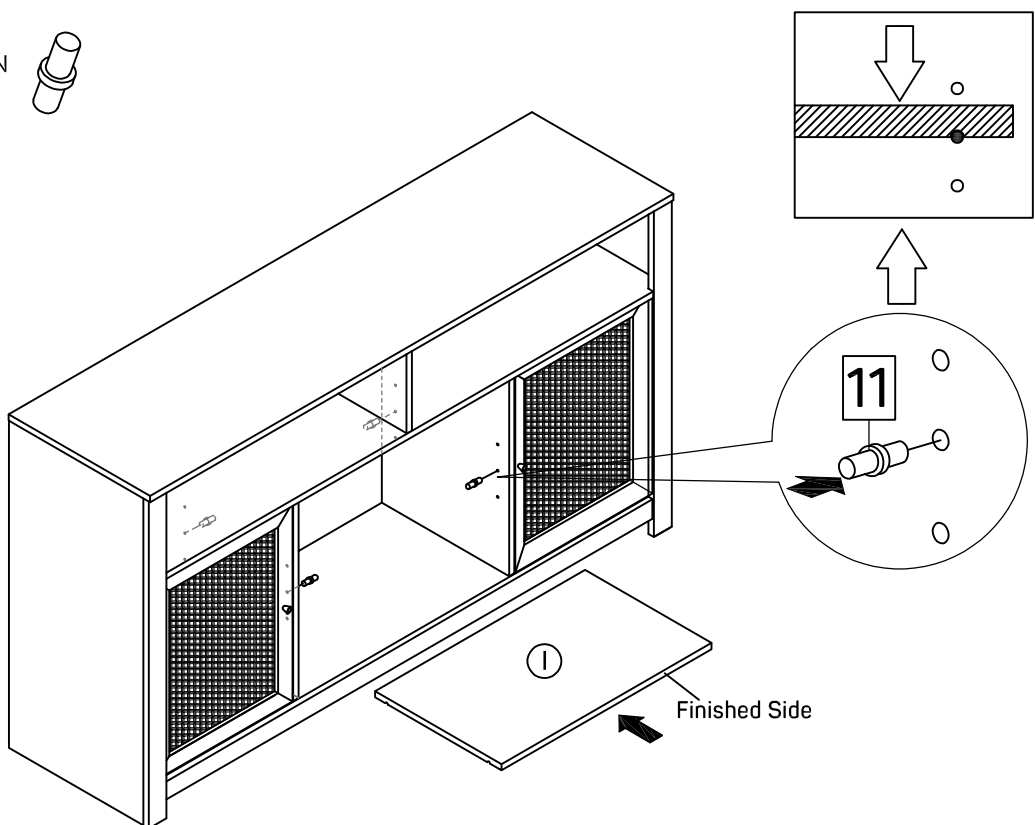


⑨ 0.75" MACHINE SCREW  
2pcs



### STEP 36

⑪ SHELF PIN  
4pcs

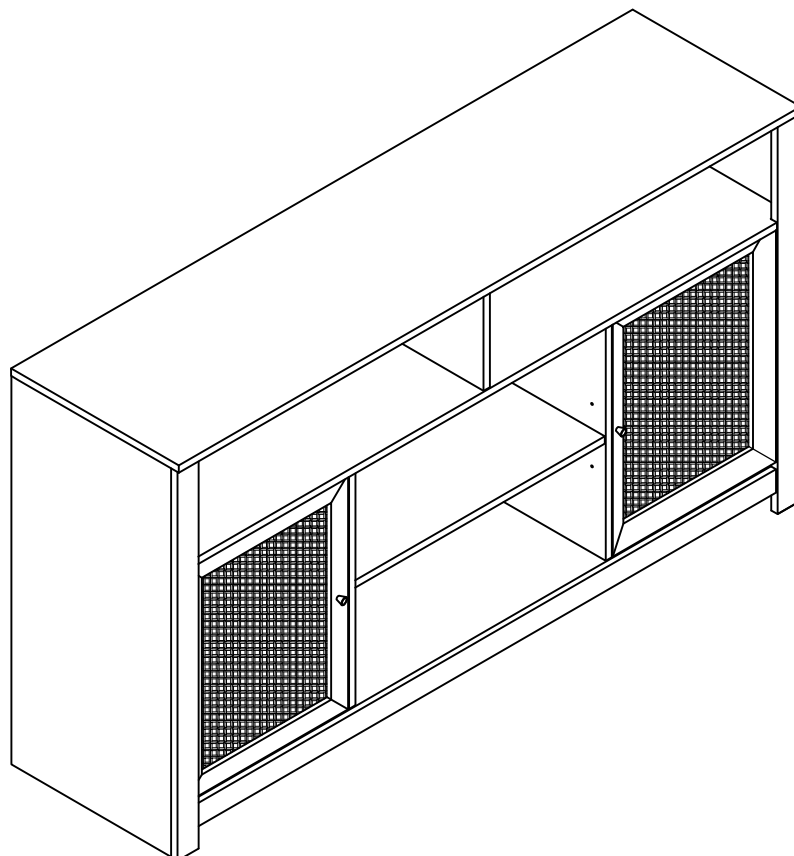
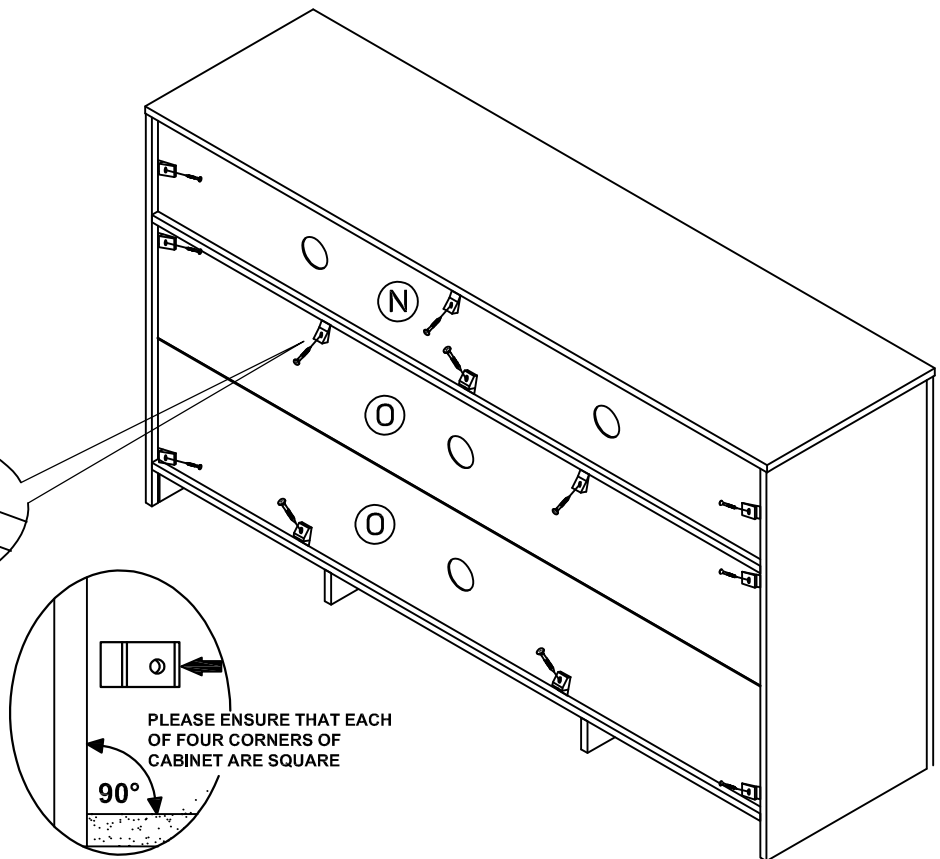
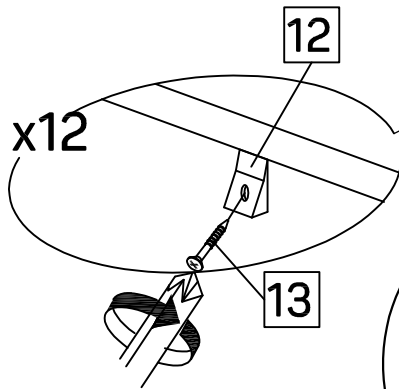


## STEP 37

⑫ PLASTIC WEDGE  
12pcs



⑬ 0.79"  
CSK CHIPBOARD SCREW  
12pcs



## Quality and Safety Guidelines:

- Please follow the static and dynamic weight capacity limits provided on this item.
- If any parts are damaged or worn, please stop using the product. Repair this product with manufacturer supplied parts only.
- Please use this item on a stable, level surface only.  
All table legs should contact the flooring surface when in use.  
Do not use this item if any instability is detected.
- Please secure this item to the wall using anti-tipping straps.
- This item is intended as a table only, do not climb, stand or sit on this item.
- Intended for indoor use only.
- For product longevity, product safety and product integrity, use this item only indoors and store indoors in a dry location.
- Do not pull, push or slide this item when moving it. Team lift when repositioning.
- Please review and retain all warnings, instructions and guidelines for future reference.
- Please inspect this product regularly to make sure there are no damaged or worn parts. Also inspect to make sure all hardware is tightened correctly and securely.