

ASSEMBLY INSTRUCTIONS



ASSEMBLY INSTRUCTIONS

ASSEMBLY TIPS:

1. Remove hardware from box and sort by size.
2. Please check to see that all hardware and parts are present prior to start of assembly.
3. Please follow attached instructions in the same sequence as numbered to assure fast & easy assembly.



WARNING!


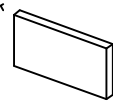

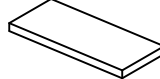

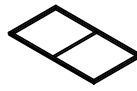


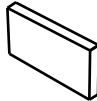
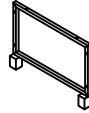
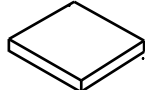

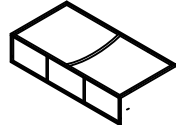
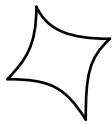
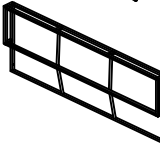
1. Don't attempt to repair or modify parts that are broken or defective. please contact the store immediately.
2. This product is for home use only and not intended for commercial establishments.



ASSEMBLY TIME

30 MINUTES

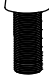


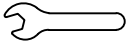
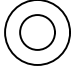
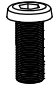

PARTS IDENTIFICATION

A	LEFT SIDE		3PCS	I	LOVESEAT BACK CUSHION		2PCS
B	RIGHT SIDE		3PCS	J	LOVESEAT SEAT CUSHION		1PCS
C	CHAIR SEAT FRAME		2PCS	K	TABLE TOP FRAME		1PCS
D	CHAIR BACK FRAME		2PCS	L	TABLE SIDE FRAME		2PCS
E	CHAIR BACK CUSHION		2PCS	M	TABLE LEG		2PCS
F	CHAIR SEAT CUSHION		2PCS	N	TABLE GLASS		1PCS
G	LOVESEAT SEAT FRAME		1PCS	O	PILLOW		2PCS
H	LOVESEAT BACKREST		1PCS				

NOTE:

Phillips head screw driver is required in the assembly process; however, manufacturer does not provide this item.

Z**HARDWARE IDENTIFICATION**

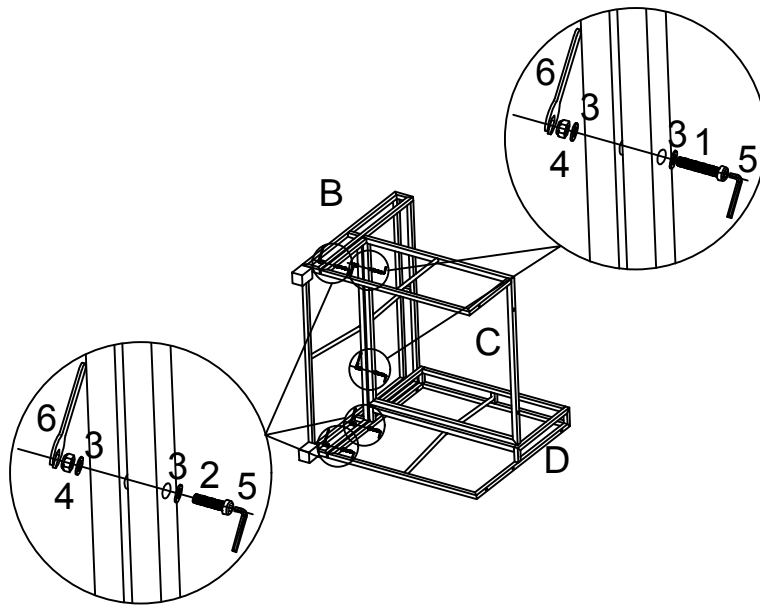
1	LARGE BOLT (1/4 x 55mm - SR)		14PCS	5	ALLEN WRENCH		2PCS
2	SHORT BOLT (1/4 x 50mm - SR)		18PCS	6	WRENCH		2PCS
3	FLAT WASHER		80PCS	7	LARGE BOLT (1/4 x 35mm - SR)		16PCS
4	HEX NUT		32PCS				

NOTE:

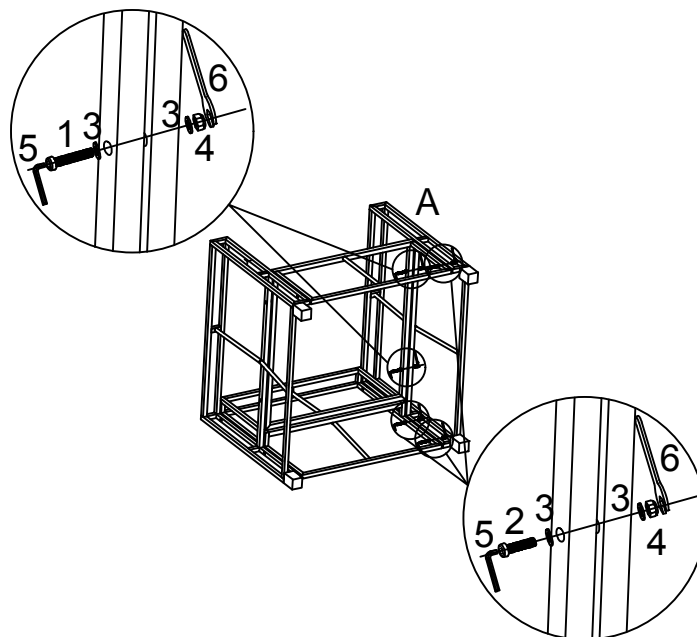
Phillips head screw driver is required in the assembly process; however, manufacturer does not provide this item.

ASSEMBLY INSTRUCTIONS

STEP 1

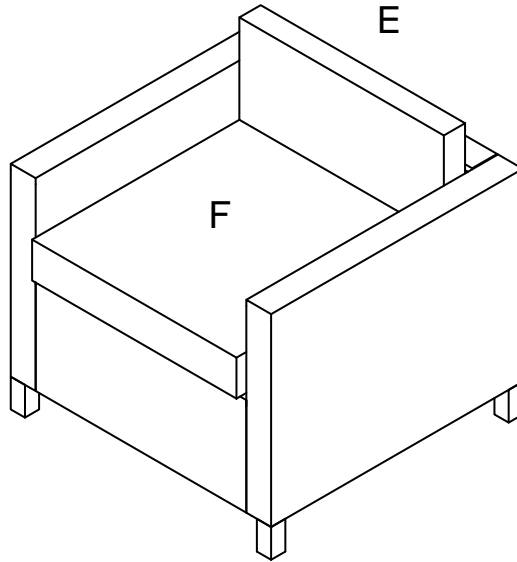


STEP 2

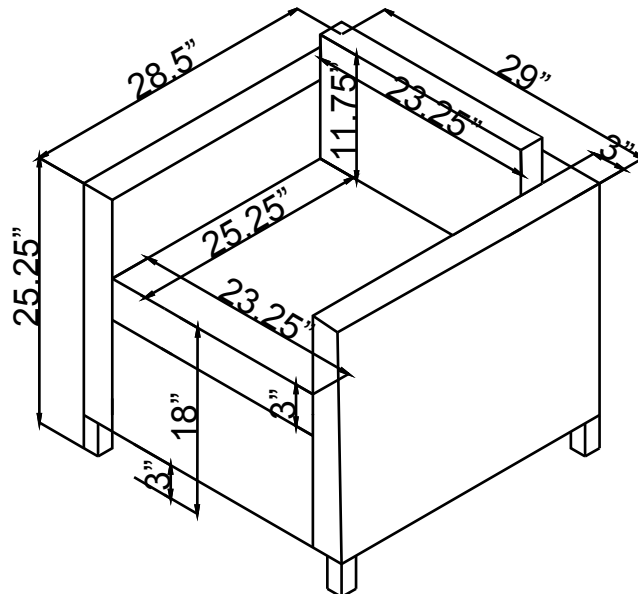


ASSEMBLY INSTRUCTIONS

STEP 3

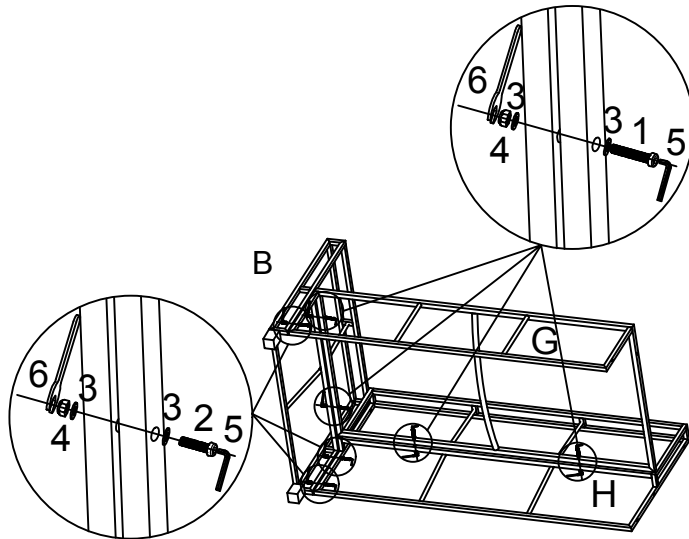


STEP 4 COMPLETE

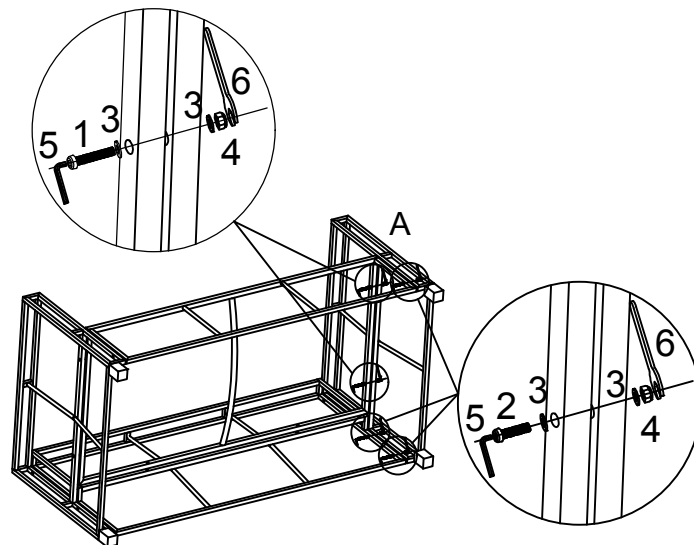


ASSEMBLY INSTRUCTIONS

STEP 1

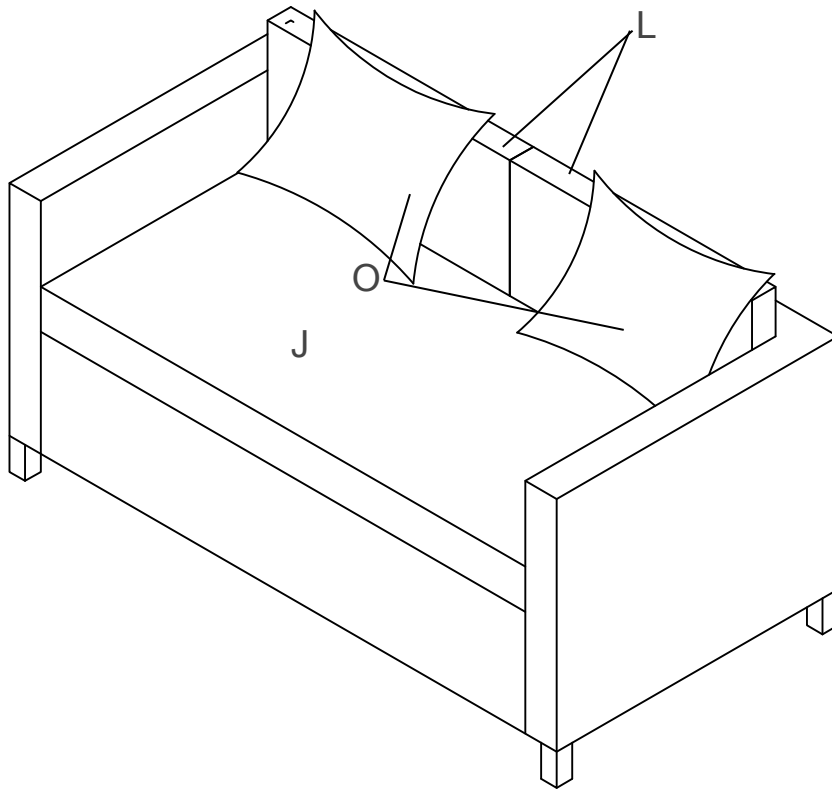


STEP 2



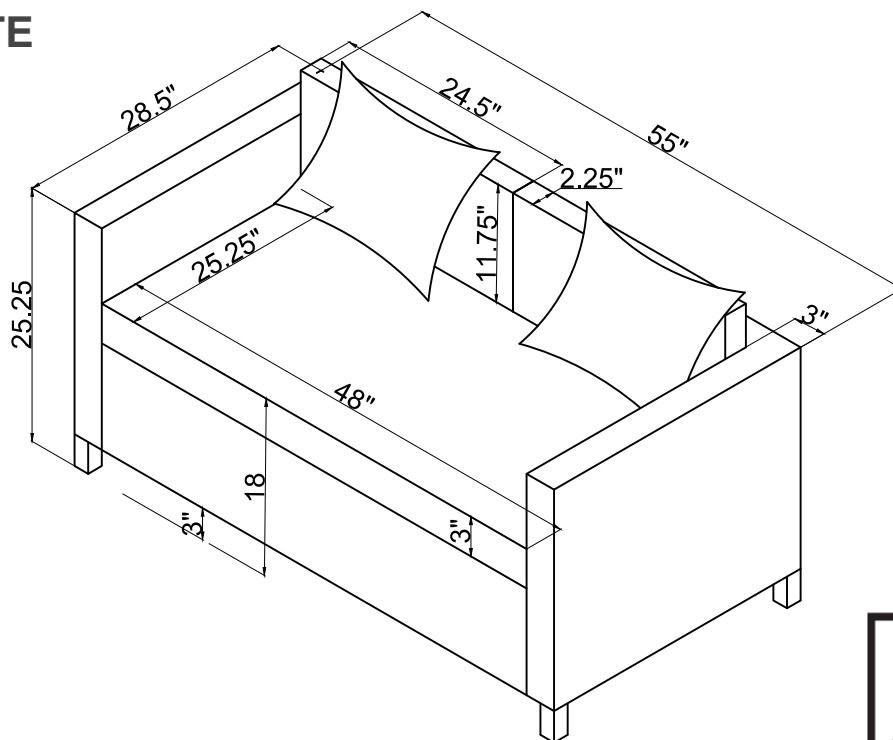
ASSEMBLY INSTRUCTIONS

STEP 3



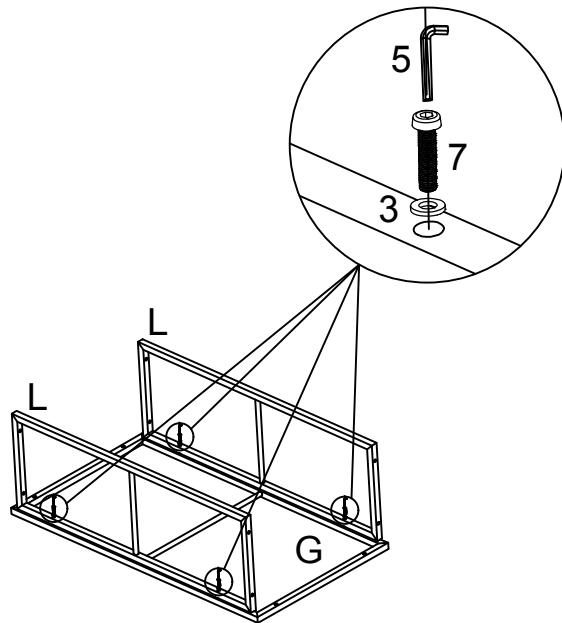
STEP 4

COMPLETE

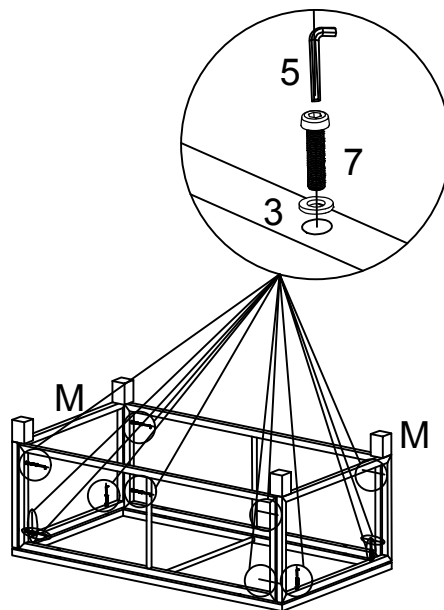


ASSEMBLY INSTRUCTIONS

STEP 1

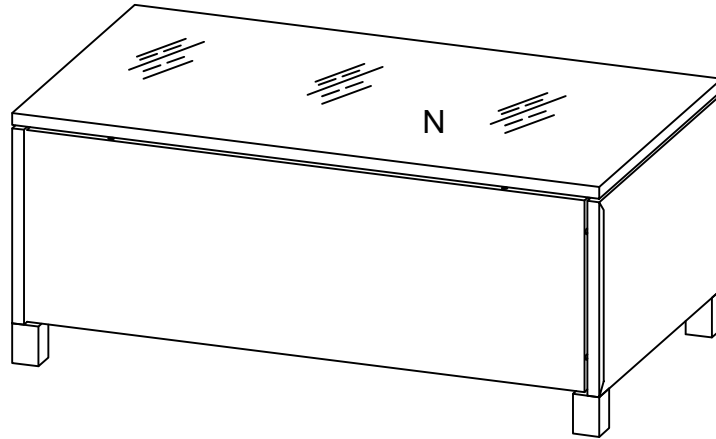


STEP 2



ASSEMBLY INSTRUCTIONS

STEP 3



STEP 4

COMPLETE

