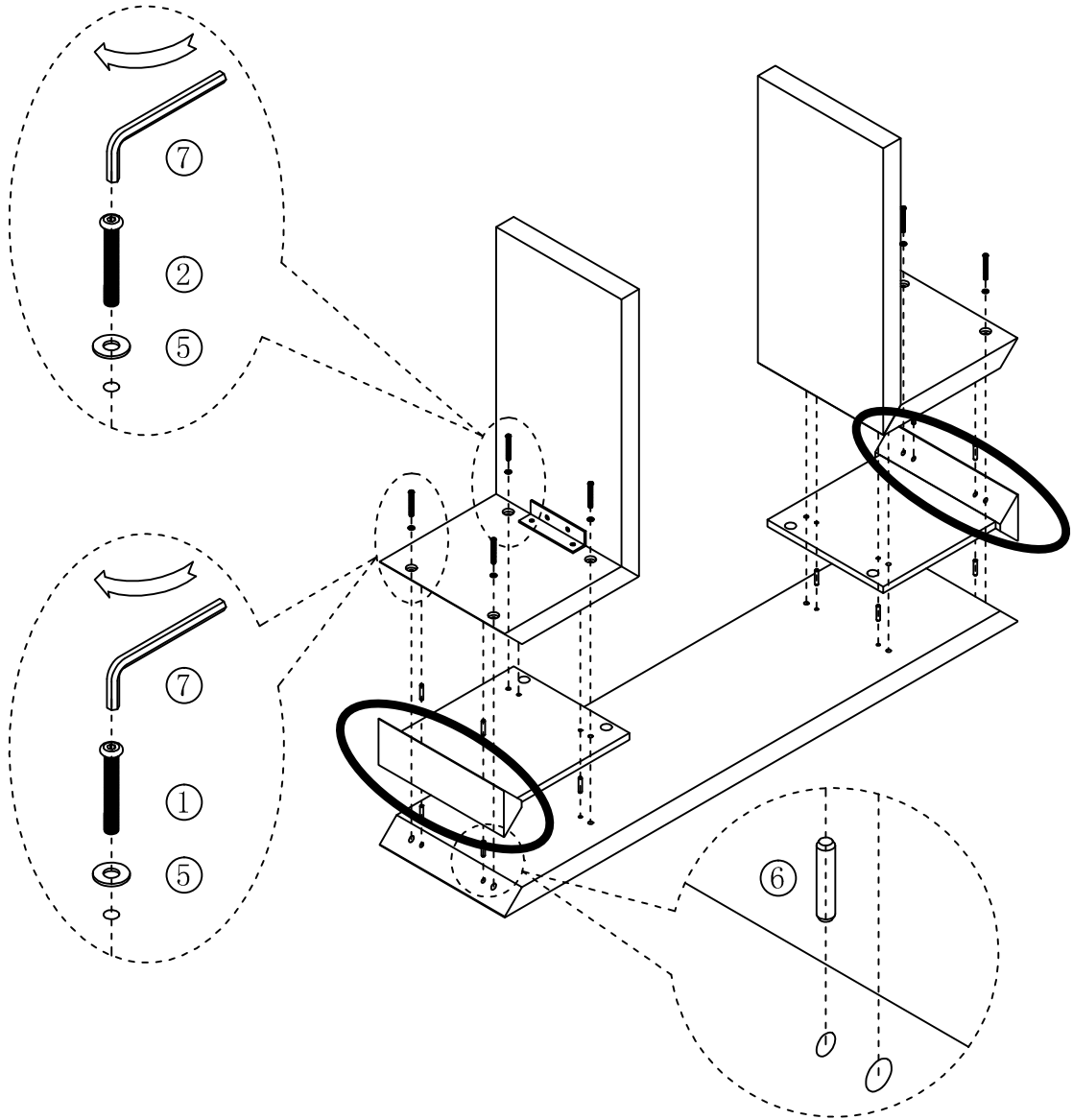


step3



finish

